

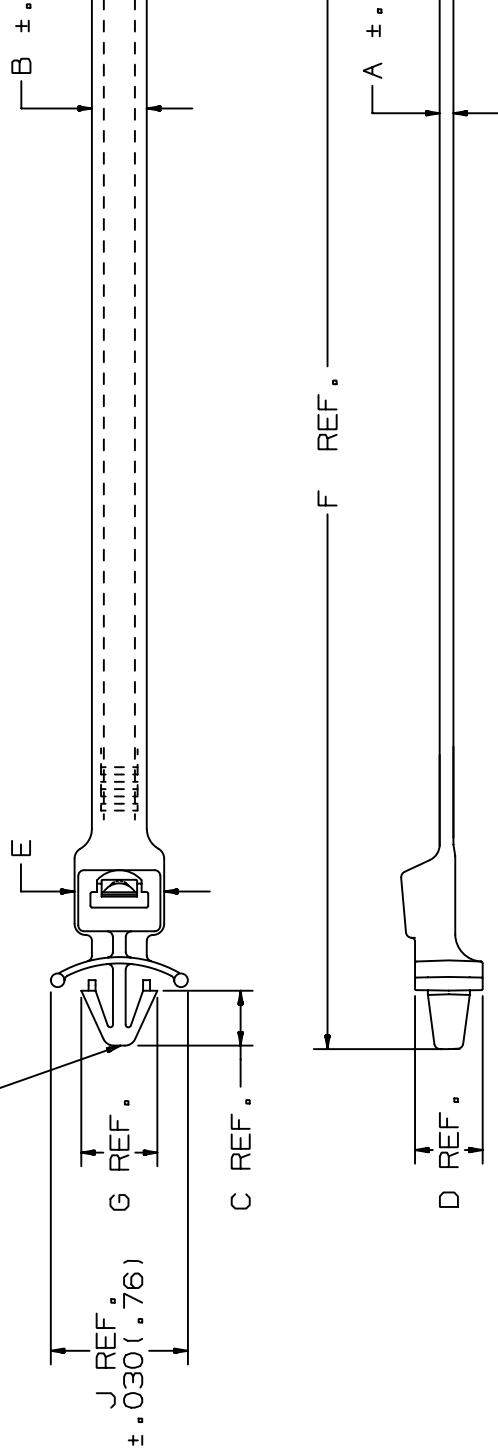


THE DATASHEET OF PLWP2H-TL



THIS COPY IS PROVIDED ON A RESTRICTED BASIS AND IS NOT TO BE USED IN ANY WAY DETRIMENTAL TO THE INT

H REF. NOMINAL HOLE DIAMETER ±.016(.41)



PANDUIT PART NO.*	BUNDLE DIA.		A in (mm)	B in (mm)	C in (mm)	D in (mm)	E in (mm)	F in (mm)	G in (mm)	H in (mm)	J in (mm)	MAX. PANEL THICKNESS in (mm)
	MIN. in (mm)	MAX. in (mm)										
PLWP2H	.188 (4.8)	2.00 (50.8)	.075 (1.9)	.300 (7.6)	.300 (7.6)	.370 (9.4)	.480 (12.2)	8.9 (226)	.416 (10.6)	.266 (6.8)	.740 (18.8)	.105 (2.7)
PLWP3H	.188 (4.8)	3.00 (76.2)	.075 (1.9)	.300 (7.6)	.300 (7.6)	.370 (9.4)	.480 (12.2)	12.0 (305)	.416 (10.6)	.266 (6.8)	.740 (18.8)	.105 (2.7)

NOTE: 1) SEE CURRENT PRICE SHEET FOR PART NUMBER SUFFIX DESIGNATION FOR PACKAGE SIZE AND PART COLOR.

DIMENSIONS IN PARENT													
PANDUIT													
LOCKING WING PLWP													
UNLESS OTHERWISE SPECIFIED DIMENSIONAL TOLERANCES (.X) ± .1(.25) (.XXX) (.XX) ± .02(.5) ANGLES													
DRAWN BY: RAM													
DATE: 7-28-93													
CHK'D: HVP													
MATERIAL: NYLON 6/6													
4	1/29/04	JABO	CHANGED FORMAT FOR CONSISTENCY SEE ECN FOR DETAILS						26836	4			
REV	DATE	BY	CHK	DESCRIPTION				ECN	R	CUST	SUP		

Looking for pricing, stock, or lifecycle information?

Click below to explore more details on WIN SOURCE:

 [View PLWP2H-TL on WIN SOURCE](#)

 [Panduit Corp](#) Information

Optimize Your Supply Chain with WIN SOURCE Solutions

-  Global Sourcing Solution
-  Obsolete Management
-  Cost Control Management
-  Shortage Management
-  Alternative Solution
-  Excess Inventory Management