



**THE DATASHEET OF
AUIPS7091S**



INTELLIGENT POWER HIGH SIDE SWITCH

Features

- Over temperature shutdown (with auto-restart)
- Short circuit protection (current limit)
- Active clamp
- Open load detection
- Logic ground isolated from power ground
- ESD protection
- Ground loss protection
- Status feedback

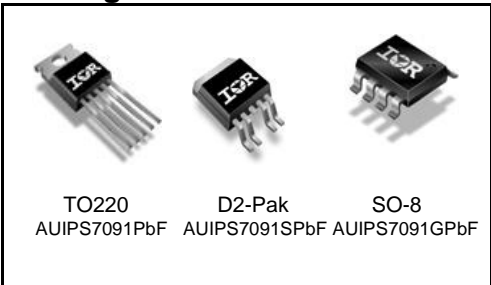
Product Summary

| | |
|-----------|------------|
| Rds(on) | 120mΩ max. |
| Vclamp | 70V |
| I Limit | 5A (typ.) |
| Open load | 3V |

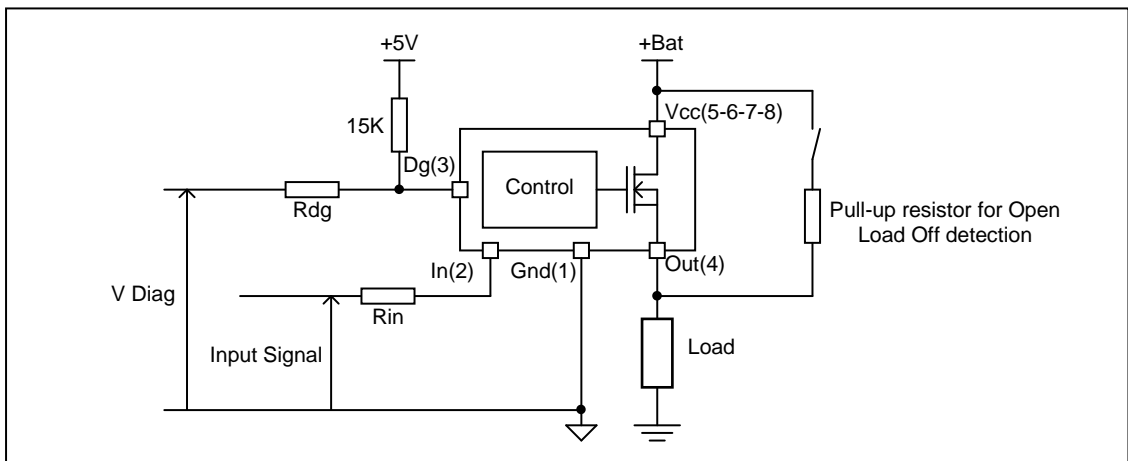
Description

The AUIPS7091(G)(S)PbF is a five terminal Intelligent Power Switch (IPS) with built in short circuit, over-temperature, ESD protection, inductive load capability and diagnostic feedback. The output current is limited at Ilim value. Current limitation is activated until the thermal protection acts. The over-temperature protection turns off the device if the junction temperature exceeds Tshutdown. It will automatically restart after the junction has cooled 7°C below Tshutdown. A diagnostic pin is provided for status feedback of short circuit, over-temperature and open load detection. The double level shifter circuitry allows large offsets between the logic ground and the load.

Package



Typical Connection



Qualification Information†

| | | | |
|-----------------------------------|----------------------|---|---|
| Qualification Level | | Automotive (per AEC-Q100) | |
| | | Comments: This family of ICs has passed an Automotive qualification. IR's Industrial and Consumer qualification level is granted by extension of the higher Automotive level. | |
| Moisture Sensitivity Level | | D2PAK-5L | MSL1, 260°C (per IPC/JEDEC J-STD-020) |
| | | TO-220 | Not applicable (non-surface mount package style) |
| | | SOIC-8 | MSL2, 260°C (per IPC/JEDEC J-STD-020) |
| ESD | Machine Model | Class M2 (+/-200V) (per AEC-Q100-003) | |
| | Human Body Model | Class H2 (+/-4000V) (per AEC-Q100-002) | |
| | Charged Device Model | Class C4 (+/-1000V) (per AEC-Q100-011) | |
| IC Latch-Up Test | | Class II, Level A (per AEC-Q100-004) | |
| RoHS Compliant | | Yes | |

† Qualification standards can be found at International Rectifier's web site <http://www.irf.com/>

Absolute Maximum Ratings

Absolute maximum ratings indicate sustained limits beyond which damage to the device may occur. All voltage parameters are referenced to Ground lead. Tj= -40°C..150°C, Vcc=6..35V (unless otherwise specified).

| Symbol | Parameter | Min. | Max. | Units |
|-----------------------|--|--------|---------|-------|
| Vout | Maximum output voltage | Vcc-63 | Vcc+0.3 | V |
| Voffset | Maximum logic ground to load ground offset | Vcc-63 | Vcc+0.3 | |
| Vin | Maximum input voltage | -0.3 | 5.5 | |
| Vcc max. | Maximum Vcc voltage | — | 60 | |
| Vcc cont. | Maximum continuous Vcc voltage | — | 35 | |
| Vcc sc. | Maximum Vcc voltage with short circuit protection with Tj < -10°C | — | 28 | |
| Iin max. | Maximum IN current | -1 | 10 | mA |
| I _{dg} max. | Maximum diagnostic output current | -1 | 10 | |
| V _{dg} | Maximum diagnostic output voltage | -0.3 | 5.5 | V |
| P _d | Maximum power dissipation (internally limited by thermal protection) R _{th} =100°C/W | — | 1.25 | W |
| I _{sd} cont. | Maximum continuous diode current (R _{th} =100°C/W) | — | 1.8 | A |
| ESD1 | Electrostatic discharge voltage (Human body) 100pF, 1500Ω | — | 4 | kV |
| ESD2 | Electrostatic discharge voltage (Machine Model) C=200pF,R=0Ω,L=10μH | — | 0.5 | |
| Tj op max. | Max. operating temperature junction temperature | -40 | +150 | °C |
| Tj Sto max. | Max. storage temperature junction temperature | -55 | +150 | °C |

Thermal Characteristics

| Symbol | Parameter | Typ. | Max. | Units |
|--------|---|------|------|-------|
| Rth1 | Thermal resistance junction to ambient SO8 std. footprint | 100 | — | °C/W |
| Rth1 | Thermal resistance junction to ambient TO220 free air | 60 | — | |
| Rth1 | Thermal resistance junction to ambient D2Pak std. footprint | 60 | — | |
| Rth2 | Thermal resistance junction to ambient D2Pak 1" sqrt. footprint | 40 | — | |
| Rth3 | Thermal resistance junction to case D2pak/TO220 | 4 | — | |

Recommended Operating Conditions

These values are given for a quick design. For operation outside these conditions, please consult the application notes.

| Symbol | Parameter | Min. | Max. | Units |
|------------------|--|------|------|-------|
| V _{IH} | High level input voltage | 4 | 5.5 | V |
| V _{IL} | Low level input voltage | -0.3 | 0.9 | |
| I _{out} | Continuous drain current, T _{amb} =85°C, T _j =125°C, V _{in} =5V, R _{th} =100°C/W | — | 1.5 | A |
| R _{in} | Recommended resistor in series with IN pin | 10 | 20 | kΩ |
| R _{dg} | Recommended resistor in series with DG pin | 10 | 20 | |
| R _{ol} | Recommended pull-up resistor for open load detection | 5 | 100 | |

Static Electrical Characteristics

$T_j = -40..150^{\circ}\text{C}$, $V_{cc} = 6..35\text{V}$ (unless otherwise specified), typical values are given for $V_{cc} = 14\text{V}$ and $T_j = 25^{\circ}\text{C}$

| Symbol | Parameter | Min. | Typ. | Max. | Units | Test Conditions |
|-------------------------|---|------|------|------|---------------|---|
| Rds(on) | ON state resistance $T_j = 25^{\circ}\text{C}$ | — | 80 | 120 | m Ω | $V_{in} = 5\text{V}$, $I_{out} = 2\text{A}$ |
| | ON state resistance $T_j = 150^{\circ}\text{C}$ | — | 150 | 230 | | $V_{in} = 5\text{V}$, $I_{out} = 2\text{A}$ |
| | ON state resistance $T_j = 25^{\circ}\text{C}$, $V_{cc} = 6.5\text{V}$ | — | 90 | 130 | | $V_{in} = 5\text{V}$, $I_{out} = 2\text{A}$ |
| Vcc op. | Operating voltage range | 6 | — | 35 | V | |
| V clamp | Vcc to Out clamp voltage | 63 | 70 | — | | $I_{out} = 30\text{mA}$ (see Fig. 1) |
| Vf | Body diode forward voltage | — | 1 | 1.4 | μA | $I_{out} = 2.5\text{A}$ |
| Icc Off | Supply current when Off | — | 2.5 | 10 | | $V_{in} = V_{out} = 0\text{V}$, $T_j = 25^{\circ}\text{C}$ |
| Icc On | Supply current when On | — | 2.5 | 4 | mA | $V_{in} = 5\text{V}$, $V_{cc} = 14\text{V}$ |
| Iout@0V | Output leakage current | — | — | 10 | μA | $V_{out} = 0\text{V}$ |
| Iout@6V | Output leakage current | — | 20 | — | | $V_{out} = 6\text{V}$ |
| I _{dg} leakage | Diagnostic output leakage current | — | — | 10 | | $V_{dg} = 5.5\text{V}$ |
| V _{dgl} | Low level diagnostic output voltage | — | 0.1 | 0.3 | V | $I_{dg} = 1.6\text{mA}$ |
| V _{ih} | Input high threshold voltage | — | 2.5 | 3.5 | | |
| V _{il} | Input low threshold voltage | 1 | 2 | — | | |
| I _{n hys} | Input hysteresis | 0.05 | 0.4 | 1 | | |
| UV high | Under voltage high threshold voltage | — | 5 | 6.2 | | |
| UV low | Under voltage low threshold voltage | 3 | 4.5 | 5.9 | | |
| UV hys | Under voltage hysteresis | 0.1 | 0.8 | 1.5 | | |
| I _{in} On | Input current when device is On | — | 40 | 80 | | μA |

Switching Electrical Characteristics

$V_{cc} = 14\text{V}$, Resistive load = 6Ω , $V_{in} = 5\text{V}$, $T_j = -40^{\circ}\text{C}..150^{\circ}\text{C}$, typical values are given for $T_j = 25^{\circ}\text{C}$

| Symbol | Parameter | Min. | Typ. | Max. | Units | Test Conditions |
|-------------------|---|------|------|------|------------------|------------------------|
| T _{don} | Turn-on delay time | — | 12 | 35 | μs | See Fig. 3 |
| Tr1 | Rise time to $V_{out} = V_{cc} - 5\text{V}$ | — | 7 | 40 | | |
| Tr2 | Rise time to $V_{out} = 0.9 \times V_{cc}$ | — | 14 | 50 | | |
| dV/dt (On) | Turn On dV/dt | — | 0.95 | 5 | V/ μs | |
| E _{On} | Turn On energy | — | 250 | — | μJ | |
| T _{doff} | Turn-off delay time | — | 20 | 45 | μs | |
| T _f | Fall time to $V_{out} = 0.1 \times V_{cc}$ | — | 6 | 25 | | |
| dV/dt (Off) | Turn Off dV/dt | — | 1.8 | 5 | V/ μs | |
| E _{Off} | Turn Off energy | — | 20 | — | μJ | |
| T _{diag} | V _{out} to V _{diag} propagation delay | — | 15 | — | μs | See Fig. 4 and Fig. 12 |

Protection Characteristics

$T_j = -40..150^{\circ}\text{C}$, $V_{cc} = 6..35\text{V}$ (unless otherwise specified), typical values are given for $V_{cc} = 14\text{V}$ and $T_j = 25^{\circ}\text{C}$

| Symbol | Parameter | Min. | Typ. | Max. | Units | Test Conditions |
|------------|--|--------------------|------|------|-------|--|
| Ilim | Internal current limit | 2 | 5 | 8 | A | $V_{out} = 0\text{V}$, $T_j = 25^{\circ}\text{C}$ |
| Tsd+ | Over temperature high threshold | 150 ⁽¹⁾ | 165 | — | °C | See Fig. 2 |
| Tsd- | Over temperature low threshold | — | 158 | — | | |
| Vsc | Short-circuit detection voltage ⁽²⁾ | 2 | 3 | 4 | V | |
| Vopen load | Open load detection threshold | 2 | 3 | 4 | | |

⁽¹⁾ Guaranteed by design

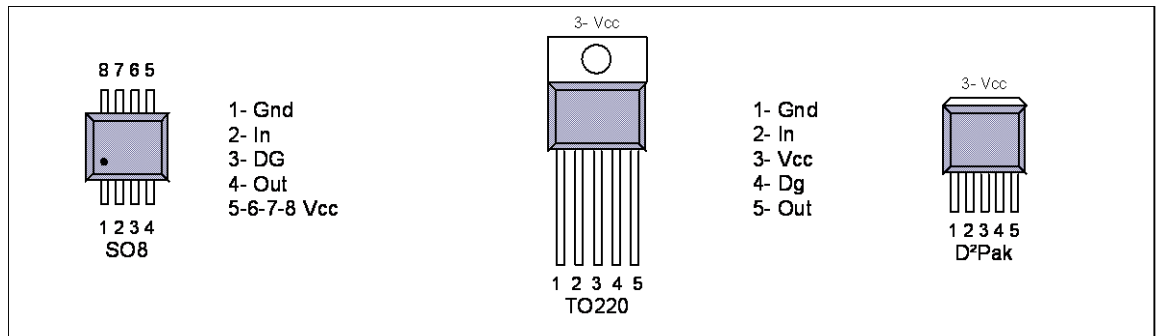
⁽²⁾ Reference to V_{cc}

Truth Table

| Operating Conditions | IN | OUT | DG pin |
|--------------------------|----|--------------|--------|
| Normal | H | H | H |
| Normal | L | L | L |
| Open Load | H | H | H |
| Open Load ⁽³⁾ | L | H | H |
| Short circuit to Gnd | H | L (limiting) | L |
| Short circuit to Gnd | L | L | L |
| Over-temperature | H | L (cycling) | L |
| Over-temperature | L | L | L |

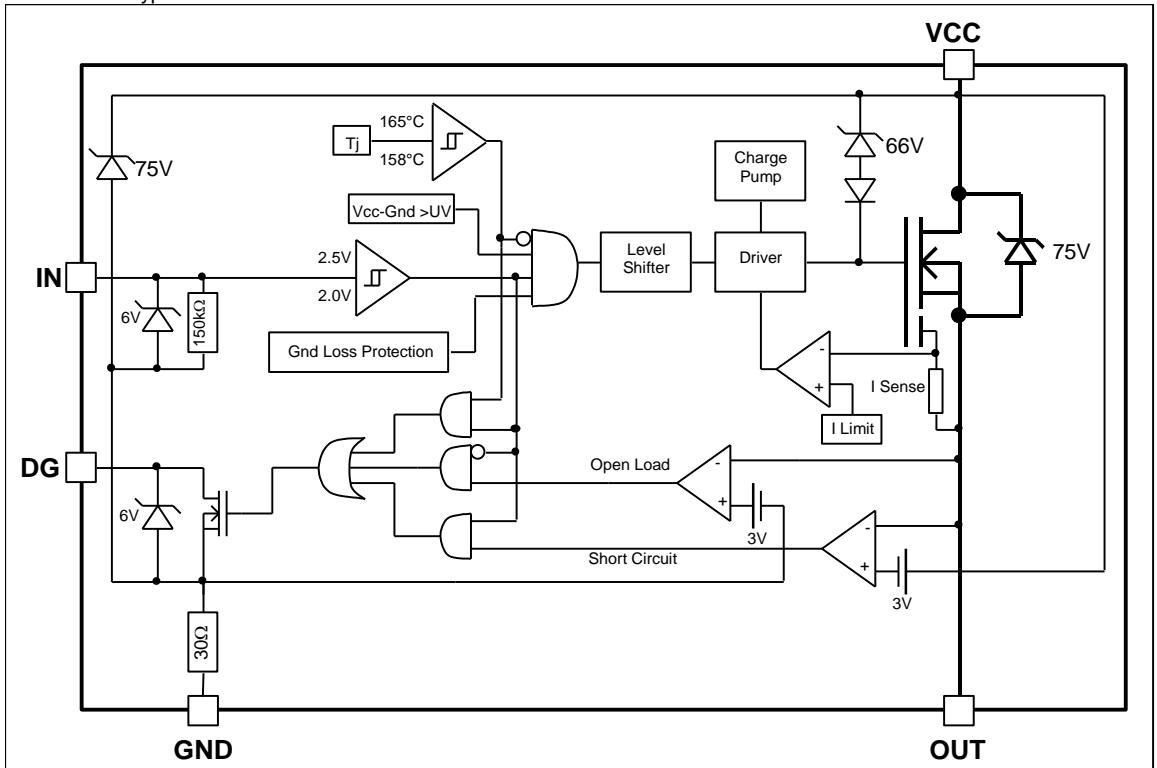
⁽³⁾ With a pull-up resistor connected between the output and V_{cc} .

Lead Assignments



Functional Block Diagram

All values are typical



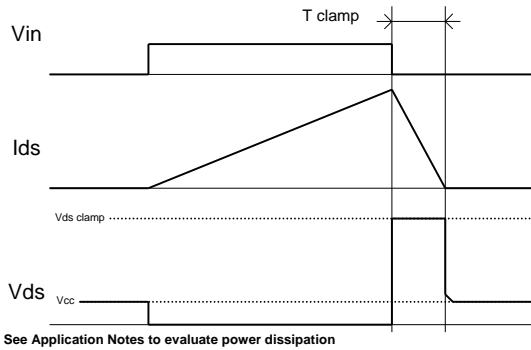


Figure 1 – Active clamp waveforms

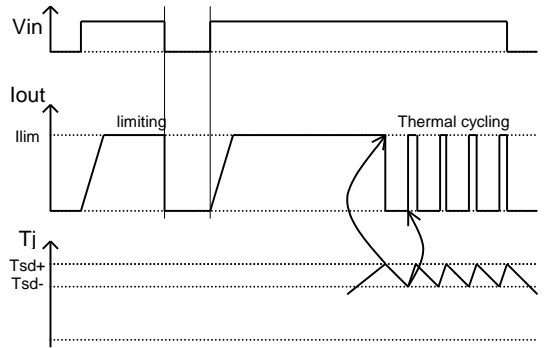


Figure 2 – Protection timing diagram

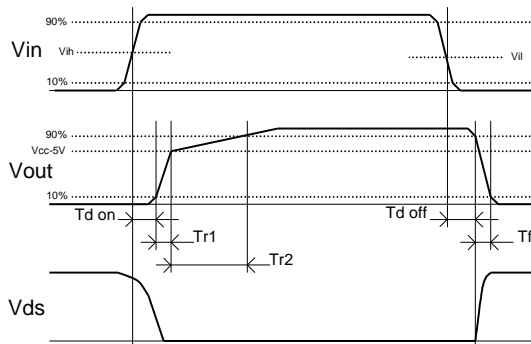


Figure 3 – Switching times definition

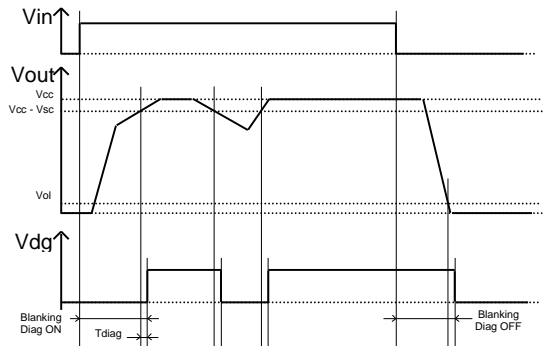


Figure 4 – Diagnostic delay definition

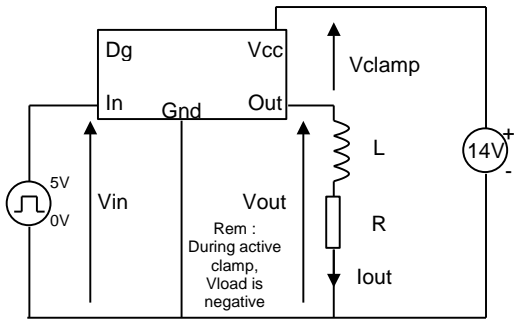


Figure 5 – Active clamp test circuit

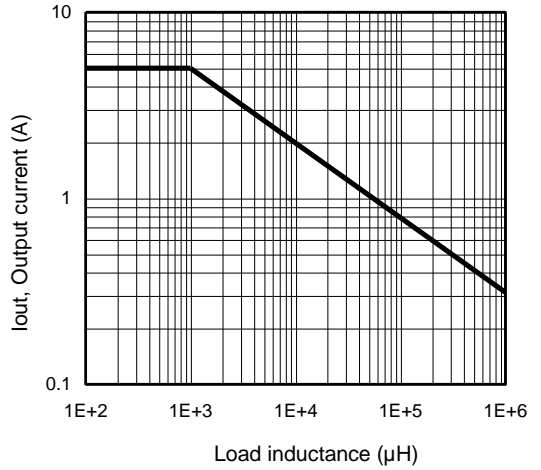


Figure 6 – Max. Output current (A) Vs Load inductance (µH)

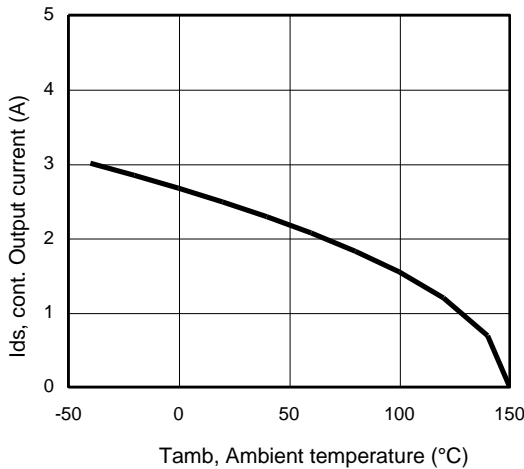


Figure 7 – Max. output current (A) Vs Ambient temperature (°C) Rth=100°C/W

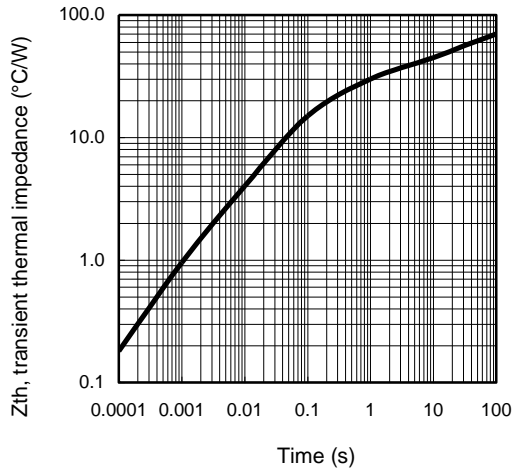
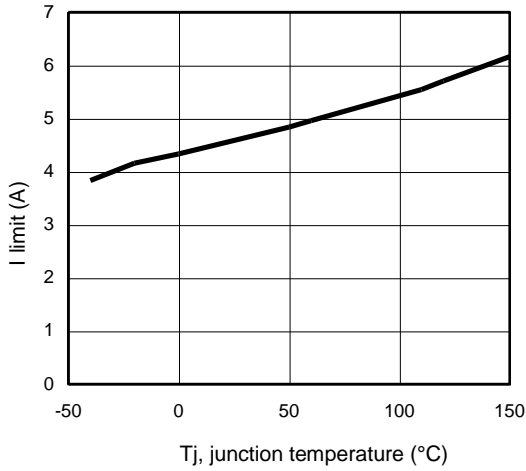
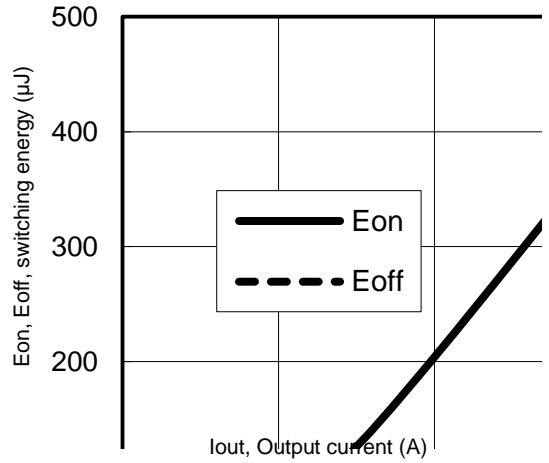


Figure 8 – Transient thermal impedance (°C/W) Vs time (s)



**Figure 9 – I limit (A)
 Vs junction temperature (°C)**



**Figure 10 – Switching energy (µJ)
 Vs Output current (A)**

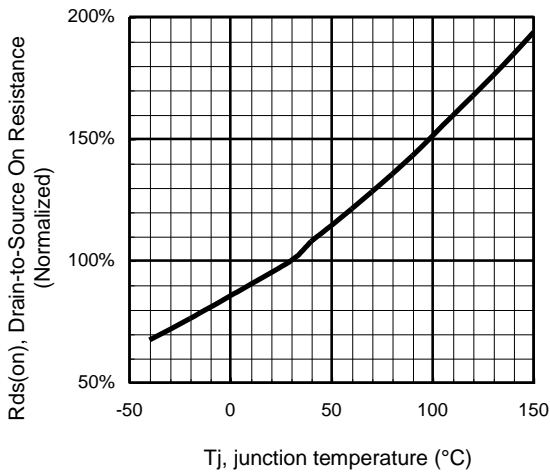
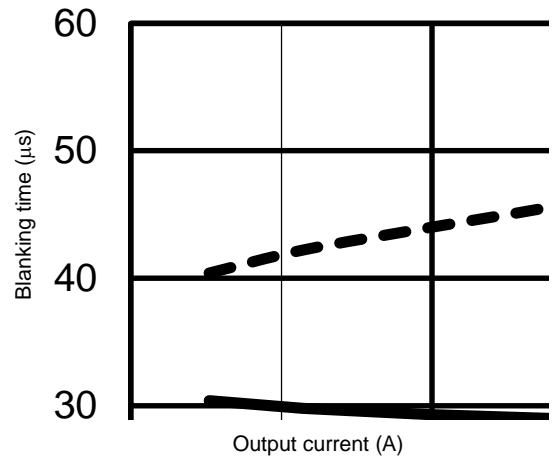


Figure 11 - Normalized R_{ds(on)} (%) Vs T_j (°C)



**Figure 12 – Diagnostic Blanking time (µs)
 Vs Output current (A)**

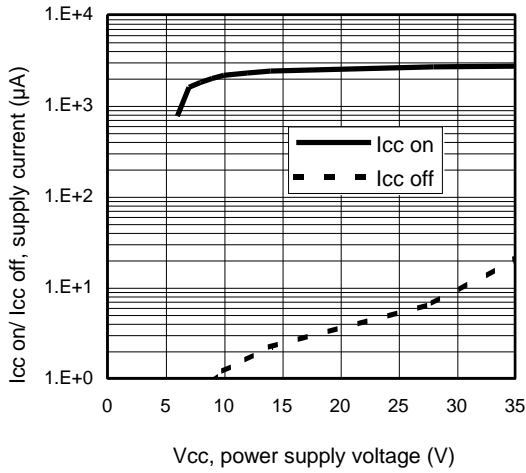


Figure 13 – I_{cc on}/ I_{cc off} (µA) Vs V_{cc} (V)

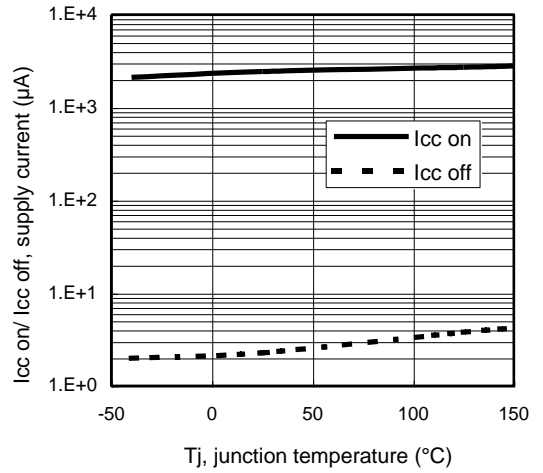
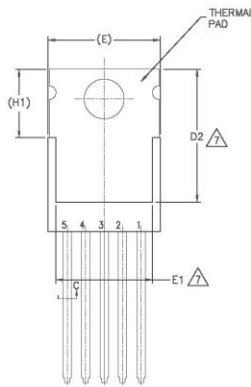
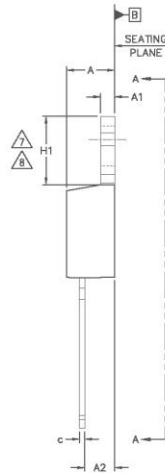
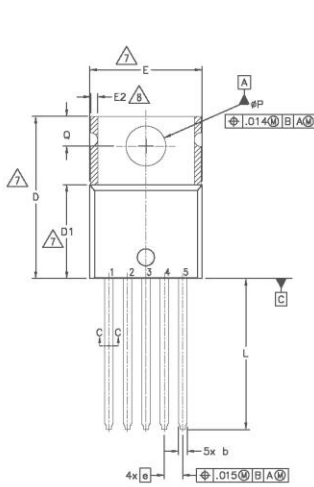
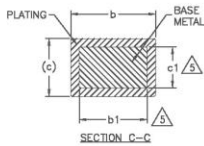


Figure 14 – I_{cc on}/ I_{cc off} (µA) Vs T_j (°C)

Case outline - TO220



SECTION A-A



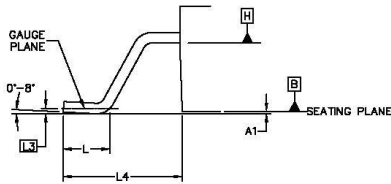
SECTION C-C

| DIMENSIONS | DIMENSIONS | | | | UNIT |
|------------|-------------|-------|----------|------|------|
| | MILLIMETERS | | INCHES | | |
| | MIN. | MAX. | MIN. | MAX. | |
| A | 3.56 | 4.83 | .140 | .190 | 5 |
| A1 | 0.51 | 1.40 | .020 | .055 | |
| A2 | 2.03 | 2.92 | .080 | .115 | |
| b | 0.64 | 0.89 | .025 | .035 | |
| b1 | 0.64 | 0.84 | .025 | .033 | |
| c | 0.36 | 0.61 | .014 | .024 | 5 |
| c1 | 0.36 | 0.56 | .014 | .022 | |
| D | 14.22 | 16.51 | .560 | .650 | 4 |
| D1 | 8.39 | 9.02 | .330 | .355 | |
| D2 | 11.68 | 12.88 | .460 | .507 | 7 |
| E | 9.65 | 10.67 | .380 | .420 | |
| E1 | 6.86 | 8.89 | .270 | .350 | 7 |
| E2 | - | 0.76 | - | .030 | |
| e | 1.70 BSC | | .067 BSC | | 7,8 |
| H1 | 5.84 | 6.86 | .230 | .270 | |
| L | 12.70 | 14.73 | .500 | .580 | |
| φP | 3.53 | 3.73 | .139 | .147 | |
| Q | 2.54 | 3.05 | .100 | .120 | |

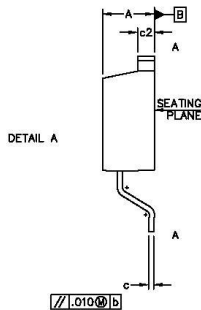
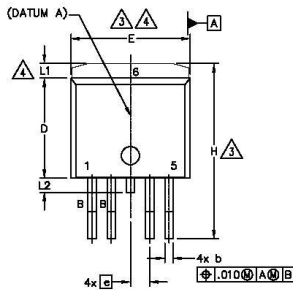
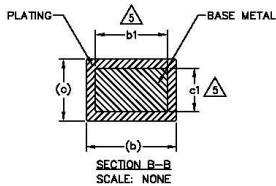
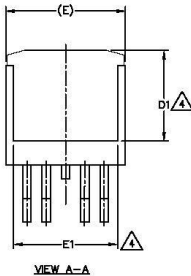
NOTES:

- 1.- DIMENSIONING AND TOLERANCING AS PER ASME Y14.5 M- 1994.
- 2.- DIMENSIONS ARE SHOWN IN INCHES [MILLIMETERS].
- 3.- LEAD DIMENSION AND FINISH UNCONTROLLED IN L1.
- 4.- DIMENSION D, D1 & E DO NOT INCLUDE MOLD FLASH. MOLD FLASH SHALL NOT EXCEED .005" (0.127) PER SIDE. THESE DIMENSIONS ARE MEASURED AT THE OUTERMOST EXTREMES OF THE PLASTIC BODY.
- 5.- DIMENSION b1 & c1 APPLY TO BASE METAL ONLY.
- 6.- CONTROLLING DIMENSION - INCHES.
- 7.- THERMAL PAD CONTOUR OPTIONAL WITHIN DIMENSIONS E1,H1,D2 & E1
- 8.- DIMENSION E2 X H1 DEFINE A ZONE, WHERE STAMPING AND SINGULATION IRREGULARITIES ARE ALLOWED.
- 9.- OUTLINE CONFORMS TO JEDEC TO-220, EXCEPT A2 (max.) AND D2 (min.) WHERE DIMENSIONS ARE DERIVED FROM THE ACTUAL PACKAGE OUTLINE.
- 10.- LEADS AND DRAIN ARE PLATED WITH 100% Sn

Case outline – D²Pak



DETAIL "A"
ROTATED 90° CW
SCALE 8:1

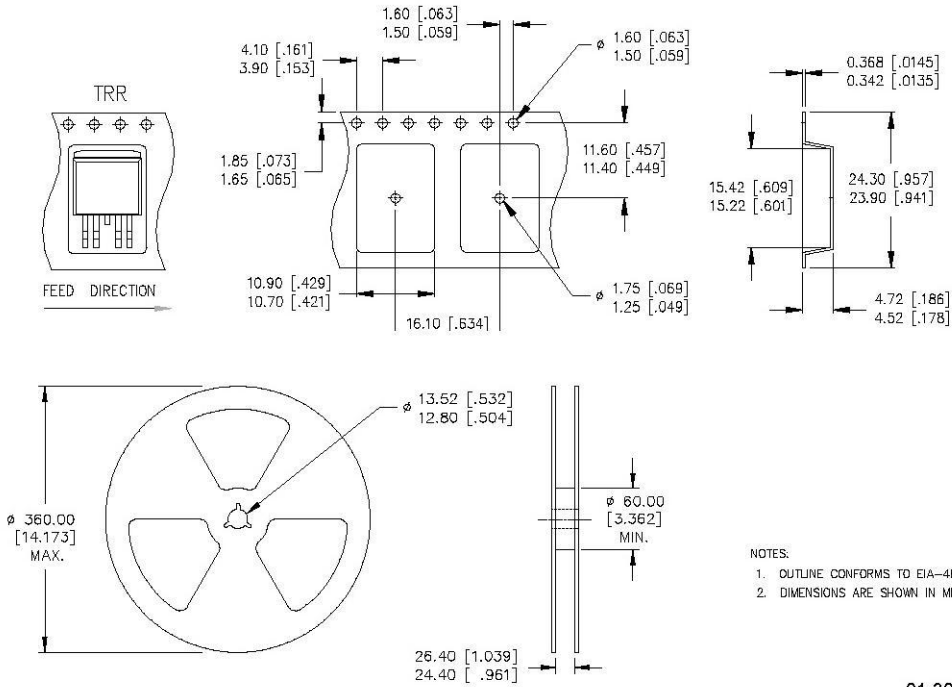


NOTES:

- DIMENSIONING AND TOLERANCING AS PER ASME Y14.5M-1994
- DIMENSIONS ARE SHOWN IN MILLIMETERS [INCHES]
- DIMENSION D & E DO NOT INCLUDE MOLD FLASH. MOLD FLASH SHALL NOT EXCEED 0.127 [.005"] PER SIDE. THESE DIMENSIONS ARE MEASURED AT THE OUTMOST EXTREMES OF THE PLASTIC BODY AT DATUM H.
- THERMAL PAD CONTOUR OPTIONAL WITHIN DIMENSION E, L1, D1 & E1.
- DIMENSION b1 AND c1 APPLY TO BASE METAL ONLY.
- DATUM A & B TO BE DETERMINED AT DATUM PLANE H.
- CONTROLLING DIMENSION: INCH.
- OUTLINE CONFORMS TO JEDEC OUTLINE TO-263BA.
- LEADS AND DRAIN ARE PLATED : 100% Sn

| SYMBOL | DIMENSIONS | | | | NOTES |
|--------|-------------|-------|--------|------|-------|
| | MILLIMETERS | | INCHES | | |
| | MIN. | MAX. | MIN. | MAX. | |
| A | 4.06 | 4.83 | .160 | .190 | |
| A1 | - | 0.254 | - | .010 | |
| b | 0.51 | 0.99 | .020 | .039 | 4 |
| b1 | 0.51 | 0.89 | .020 | .035 | |
| c | 0.38 | 0.74 | .015 | .029 | |
| c1 | 0.38 | 0.58 | .015 | .023 | 4 |
| c2 | 1.14 | 1.65 | .045 | .065 | |
| D | 8.38 | 9.65 | .330 | .380 | 3 |
| D1 | 6.86 | - | .270 | - | |
| E | 9.65 | 10.87 | .380 | .420 | 3 |
| E1 | 6.22 | - | .245 | - | |
| e | 1.70 | BSC | .067 | BSC | |
| H | 14.61 | 15.88 | .575 | .625 | |
| L | 1.78 | 2.79 | .070 | .110 | |
| L1 | - | 1.68 | - | .066 | |
| L2 | - | 1.78 | - | .070 | |
| L3 | 0.25 | BSC | .010 | BSC | |
| L4 | 4.78 | 5.28 | .188 | .208 | |

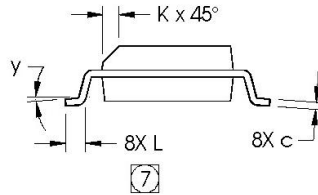
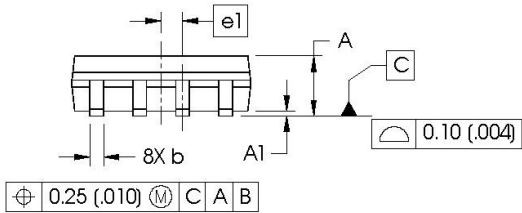
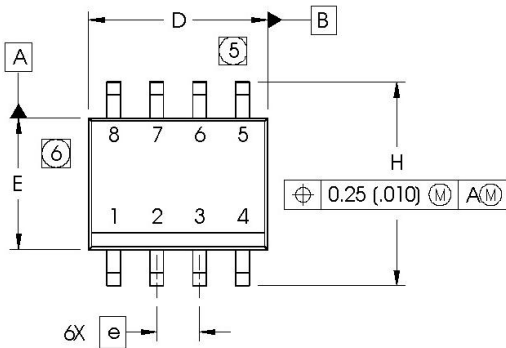
Tape and reel – D²Pak



01-3071 00 / 01-3072 00

Case Outline - SO-8

Dimensions are shown in millimeters (inches)

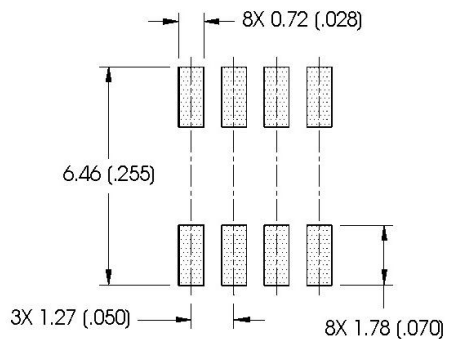


| DIM | INCHES | | MILLIMETERS | |
|-----|------------|-------|-------------|------|
| | MIN | MAX | MIN | MAX |
| A | .0532 | .0688 | 1.35 | 1.75 |
| A1 | .0040 | .0098 | 0.10 | 0.25 |
| b | .013 | .020 | 0.33 | 0.51 |
| c | .0075 | .0098 | 0.19 | 0.25 |
| D | .189 | .1968 | 4.80 | 5.00 |
| E | .1497 | .1574 | 3.80 | 4.00 |
| e | .050 BASIC | | 1.27 BASIC | |
| e1 | .025 BASIC | | 0.635 BASIC | |
| H | .2284 | .2440 | 5.80 | 6.20 |
| K | .0099 | .0196 | 0.25 | 0.50 |
| L | .016 | .050 | 0.40 | 1.27 |
| y | 0° | 8° | 0° | 8° |

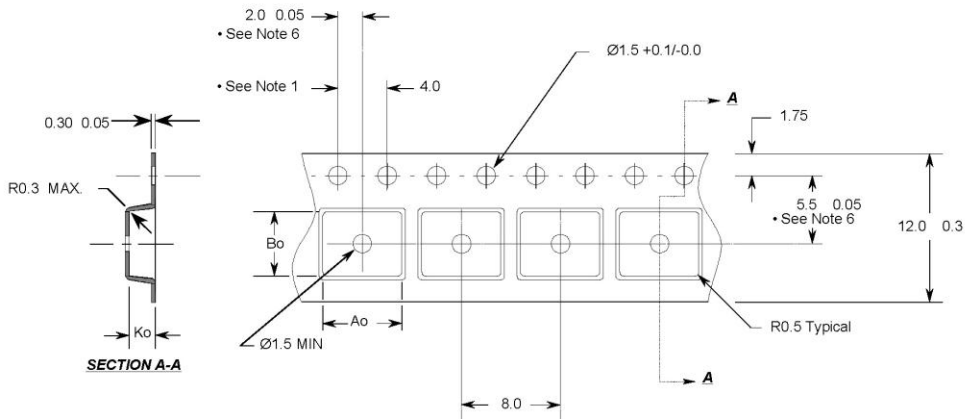
NOTES:

1. DIMENSIONING & TOLERANCING PER ASME Y14.5M-1994.
2. CONTROLLING DIMENSION: MILLIMETER
3. DIMENSIONS ARE SHOWN IN MILLIMETERS (INCHES).
4. OUTLINE CONFORMS TO JEDEC OUTLINE MS-012AA.
- 5 DIMENSION DOES NOT INCLUDE MOLD PROTRUSIONS. MOLD PROTRUSIONS NOT TO EXCEED 0.15 (.006).
- 6 DIMENSION DOES NOT INCLUDE MOLD PROTRUSIONS. MOLD PROTRUSIONS NOT TO EXCEED 0.25 (.010).
- 7 DIMENSION IS THE LENGTH OF LEAD FOR SOLDERING TO A SUBSTRATE.

FOOTPRINT



Tape & Reel - SO-8



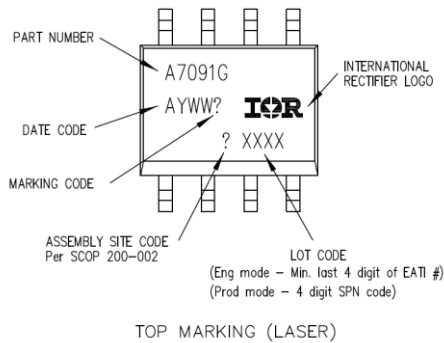
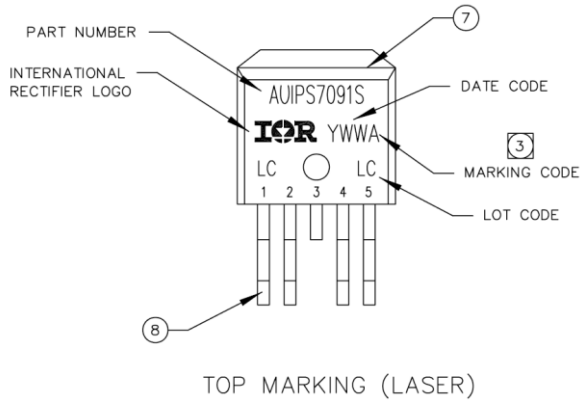
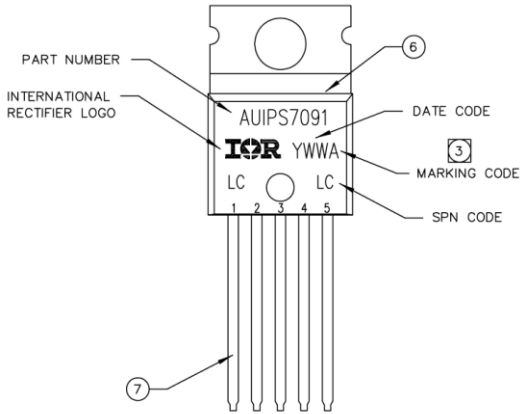
Notes:

1. 10 sprocket hole pitch cumulative tolerance 0.2
2. Camber not to exceed 1mm in 100mm
3. Material: Black Conductive Advantek Polystyrene
4. Ao and Bo measured on a plane 0.3mm above the bottom of the pocket
5. Ko measured from a plane on the inside bottom of the pocket to the top surface of the carrier.
6. Pocket position relative to sprocket hole measured as true position of pocket, not pocket hole.

Ao = 6.4 mm
 Bo = 5.2 mm
 Ko = 2.1 mm

- All Dimensions in Millimeters -

Part Marking Information



Ordering Information

| Base Part Number | Package Type | Standard Pack | | Complete Part Number |
|------------------|----------------|---------------------|----------|----------------------|
| | | Form | Quantity | |
| AUIPS7091 | TO220-5-Leads | Tube | 50 | AUIPS7091 |
| AUIPS7091S | D2-Pak-5-Leads | Tube | 50 | AUIPS7091S |
| | | Tape and reel left | 800 | AUIPS7091STRL |
| | | Tape and reel right | 800 | AUIPS7091STRR |
| AUIPS7091G | SOIC-8 | Tube | 95 | AUIPS7091G |
| | | Tape and reel | 2500 | AUIPS7091GTR |

IMPORTANT NOTICE

Unless specifically designated for the automotive market, International Rectifier Corporation and its subsidiaries (IR) reserve the right to make corrections, modifications, enhancements, improvements, and other changes to its products and services at any time and to discontinue any product or services without notice. Part numbers designated with the "AU" prefix follow automotive industry and / or customer specific requirements with regards to product discontinuance and process change notification. All products are sold subject to IR's terms and conditions of sale supplied at the time of order acknowledgment.

IR warrants performance of its hardware products to the specifications applicable at the time of sale in accordance with IR's standard warranty. Testing and other quality control techniques are used to the extent IR deems necessary to support this warranty. Except where mandated by government requirements, testing of all parameters of each product is not necessarily performed.

IR assumes no liability for applications assistance or customer product design. Customers are responsible for their products and applications using IR components. To minimize the risks with customer products and applications, customers should provide adequate design and operating safeguards.

Reproduction of IR information in IR data books or data sheets is permissible only if reproduction is without alteration and is accompanied by all associated warranties, conditions, limitations, and notices. Reproduction of this information with alterations is an unfair and deceptive business practice. IR is not responsible or liable for such altered documentation. Information of third parties may be subject to additional restrictions.

Resale of IR products or serviced with statements different from or beyond the parameters stated by IR for that product or service voids all express and any implied warranties for the associated IR product or service and is an unfair and deceptive business practice. IR is not responsible or liable for any such statements.

IR products are not designed, intended, or authorized for use as components in systems intended for surgical implant into the body, or in other applications intended to support or sustain life, or in any other application in which the failure of the IR product could create a situation where personal injury or death may occur. Should Buyer purchase or use IR products for any such unintended or unauthorized application, Buyer shall indemnify and hold International Rectifier and its officers, employees, subsidiaries, affiliates, and distributors harmless against all claims, costs, damages, and expenses, and reasonable attorney fees arising out of, directly or indirectly, any claim of personal injury or death associated with such unintended or unauthorized use, even if such claim alleges that IR was negligent regarding the design or manufacture of the product.

Only products certified as military grade by the Defense Logistics Agency (DLA) of the US Department of Defense, are designed and manufactured to meet DLA military specifications required by certain military, aerospace or other applications. Buyers acknowledge and agree that any use of IR products not certified by DLA as military-grade, in applications requiring military grade products, is solely at the Buyer's own risk and that they are solely responsible for compliance with all legal and regulatory requirements in connection with such use.

IR products are neither designed nor intended for use in automotive applications or environments unless the specific IR products are designated by IR as compliant with ISO/TS 16949 requirements and bear a part number including the designation "AU". Buyers acknowledge and agree that, if they use any non-designated products in automotive applications, IR will not be responsible for any failure to meet such requirements.

For technical support, please contact IR's Technical Assistance Center
<http://www.irf.com/technical-info/>

WORLD HEADQUARTERS:

101 N. Sepulveda Blvd., El Segundo, California 90245
Tel: (310) 252-7105

Revision History

| Revision | Date | Notes/Changes |
|-----------------|--------------|--------------------------------|
| A1 | October 2011 | First release |
| B | March 2012 | Remove the preliminary mention |
| | | |
| | | |
| | | |
| | | |
| | | |
| | | |
| | | |
| | | |

Looking for pricing, stock, or lifecycle information?

Click below to explore more details on WIN SOURCE:

- ⊖ [View AUIPS7091S](#) on WIN SOURCE
- ⊖ [Infineon Technologies](#) Information

Optimize Your Supply Chain with WIN SOURCE Solutions

- ✓ Global Sourcing Solution
- ✓ Obsolete Management
- ✓ Cost Control Management
- ✓ Shortage Management
- ✓ Alternative Solution
- ✓ Excess Inventory Management