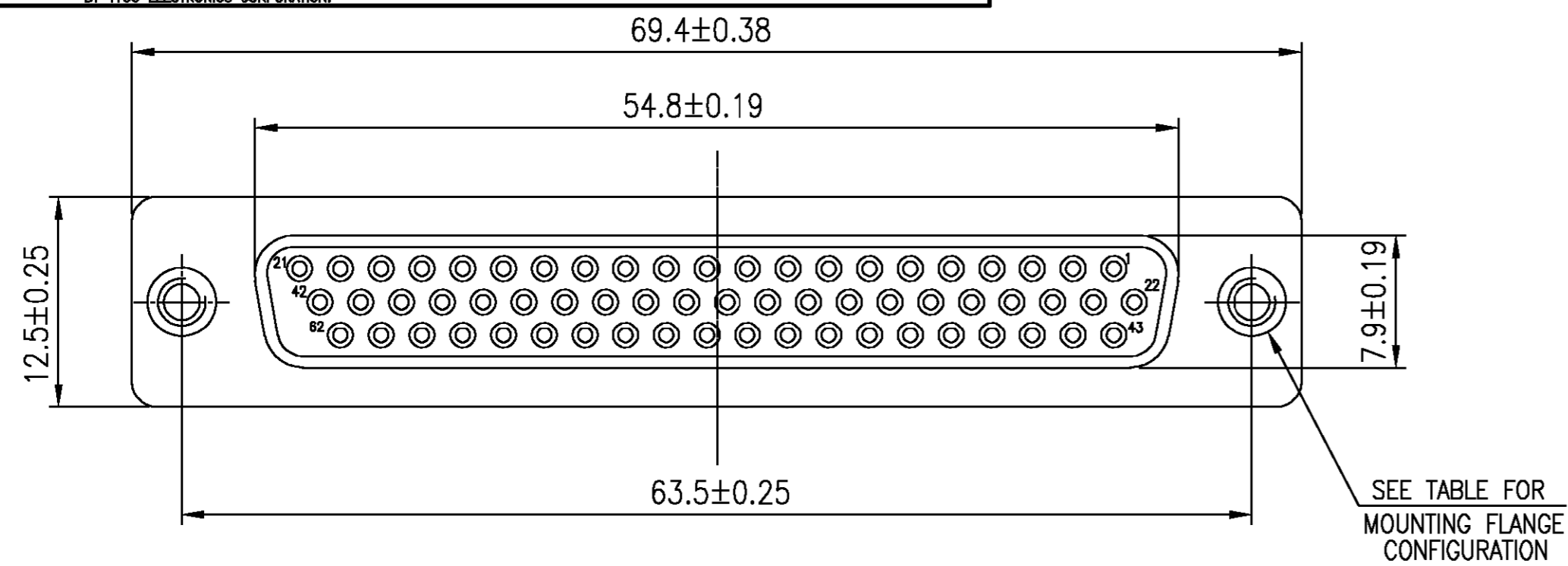




**THE DATASHEET OF**  
**747786-6**



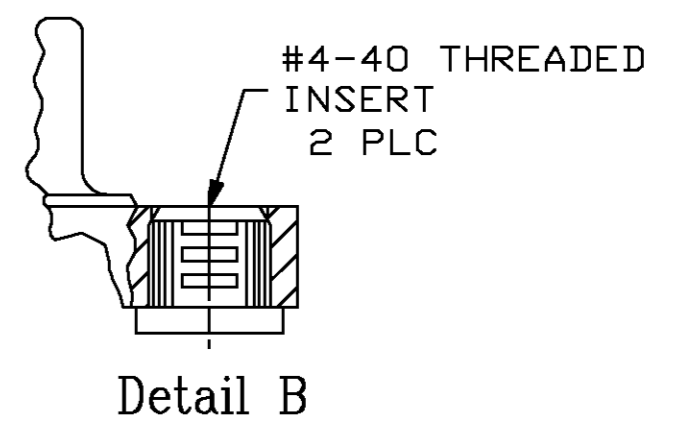
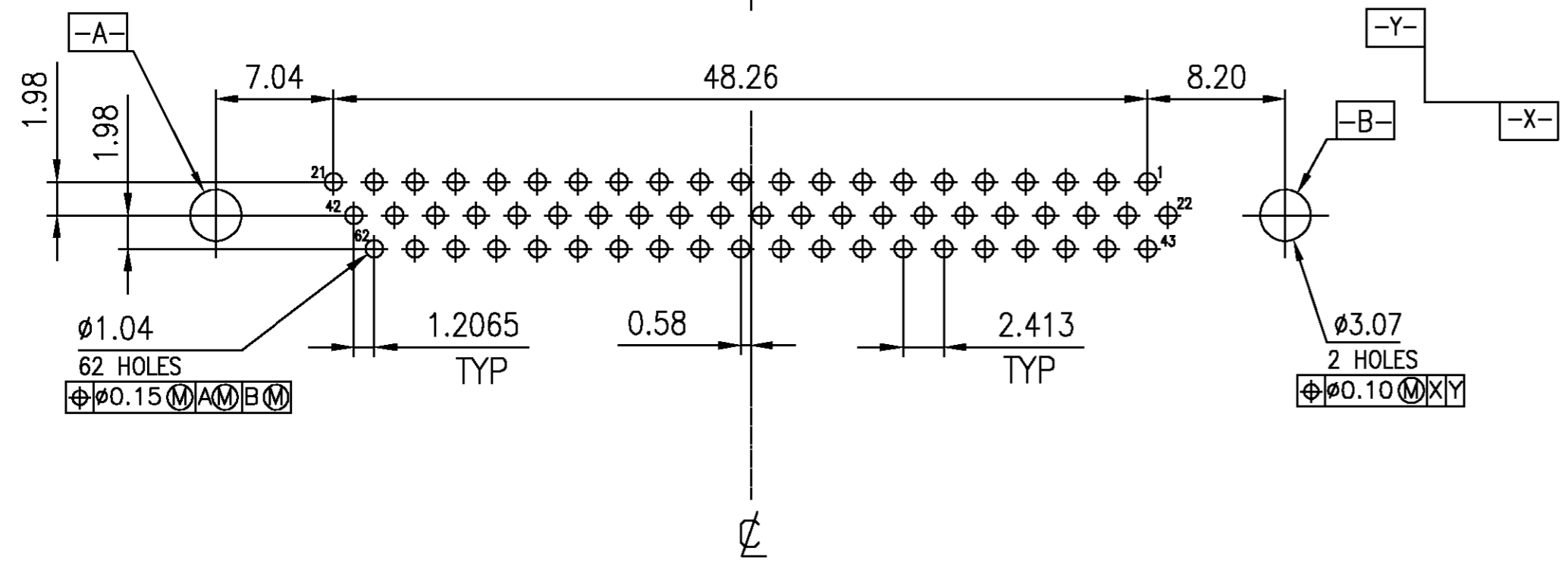
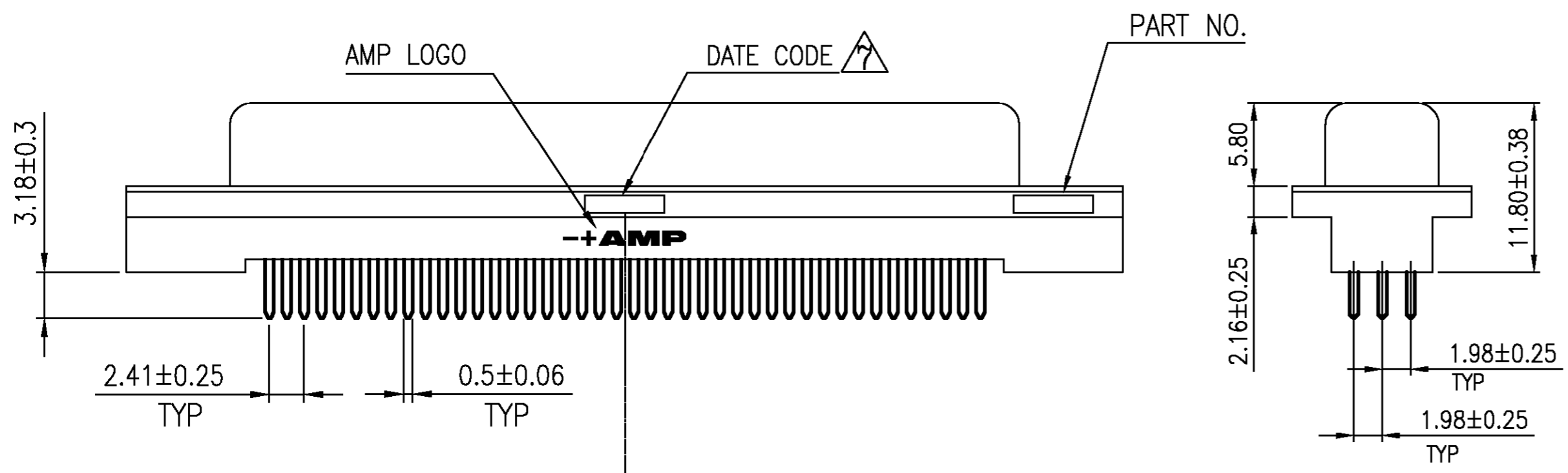
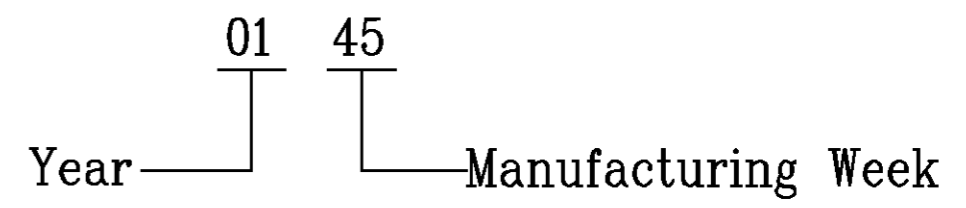
LOC		DIST		REVISIONS			
GP	0	P	LTR	DESCRIPTION	DATE	DWN	APVD
		S		REVISED PER OS13-0254-02	26JULY02	JB	CC



**MATERIAL:**

- Housing: PBT , 30 % G.F polyester, Black. ( UL 94V-0 Rated )
- Contact: Phos. Bronze.
- Contact Plated: Gold Plated over 50u" Nickel underplated.
- Solder Tail: Sn/Pb Plated 120u" over 50u" Nickel underplated.
- Shell: Steel, Nickel Plated.
- Rivet: Brass, Nickel plated 30u" Min.

△ Four digit date code in this format.



Tray	Detail B	Gold flash	3-747786-4
Tray	Detail B	15 μ"	3-747786-3
Tray	Detail B	30 μ"	747786-6
Packaging	Mounting Flange Config	Contact Finish	AMP Part NO.


RECOMMENDED PCB LAYOUT

THIS DRAWING IS A CONTROLLED DOCUMENT.		DWN: J.BURWELL 07JUN02	Tyco Electronics Corporation	
DIMENSIONS: MM		CHK: C.CASH 07JUN02	AMPLIMITE HD-22 62 POS RECEPTACLE, VERTICAL	
TOLERANCES UNLESS OTHERWISE SPECIFIED:		APVD: -	NAME: -	RESTRICTED TO: -
0 PLC ± -	1 PLC ± 0.30	PRODUCT SPEC: -	SIZE: A2	CAGE CODE: 00779
2 PLC ± 0.20	3 PLC ± 0.10	APPLICATION SPEC: -	DRAWING NO: 747786	SCALE: 4:1
4 PLC ± -	ANGLES ± 2°	WEIGHT: -	SHEET: 1 OF 1	REV: S
MATERIAL: -	FINISH: -	CUSTOMER DRAWING		

747786

## Looking for pricing, stock, or lifecycle information?

Click below to explore more details on WIN SOURCE:

 [View 747786-6 on WIN SOURCE](#)

 [TE Connectivity](#) Information

## Optimize Your Supply Chain with WIN SOURCE Solutions

-  Global Sourcing Solution
-  Obsolete Management
-  Cost Control Management
-  Shortage Management
-  Alternative Solution
-  Excess Inventory Management