



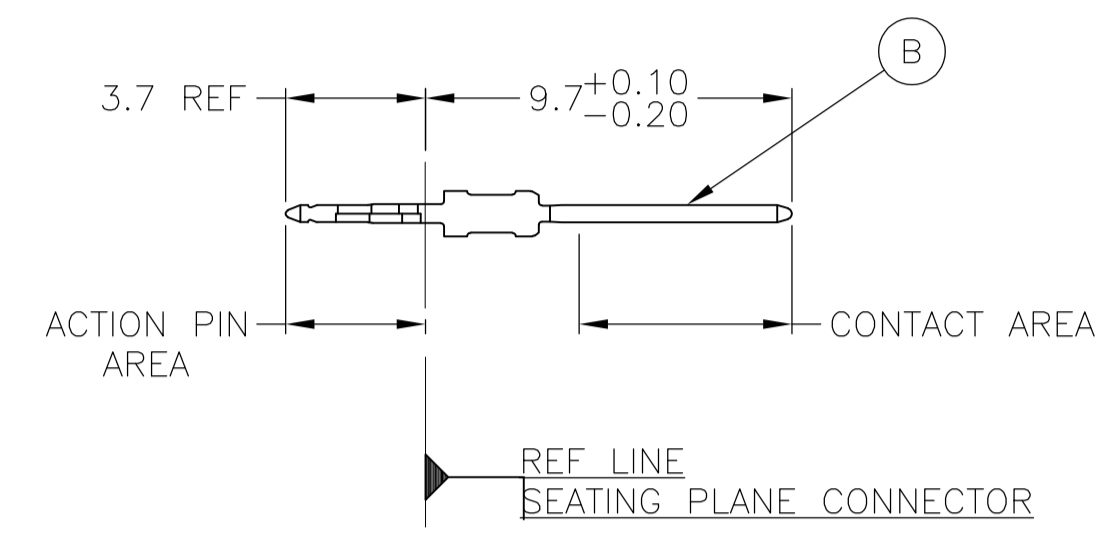
THE DATASHEET OF
5188232-9



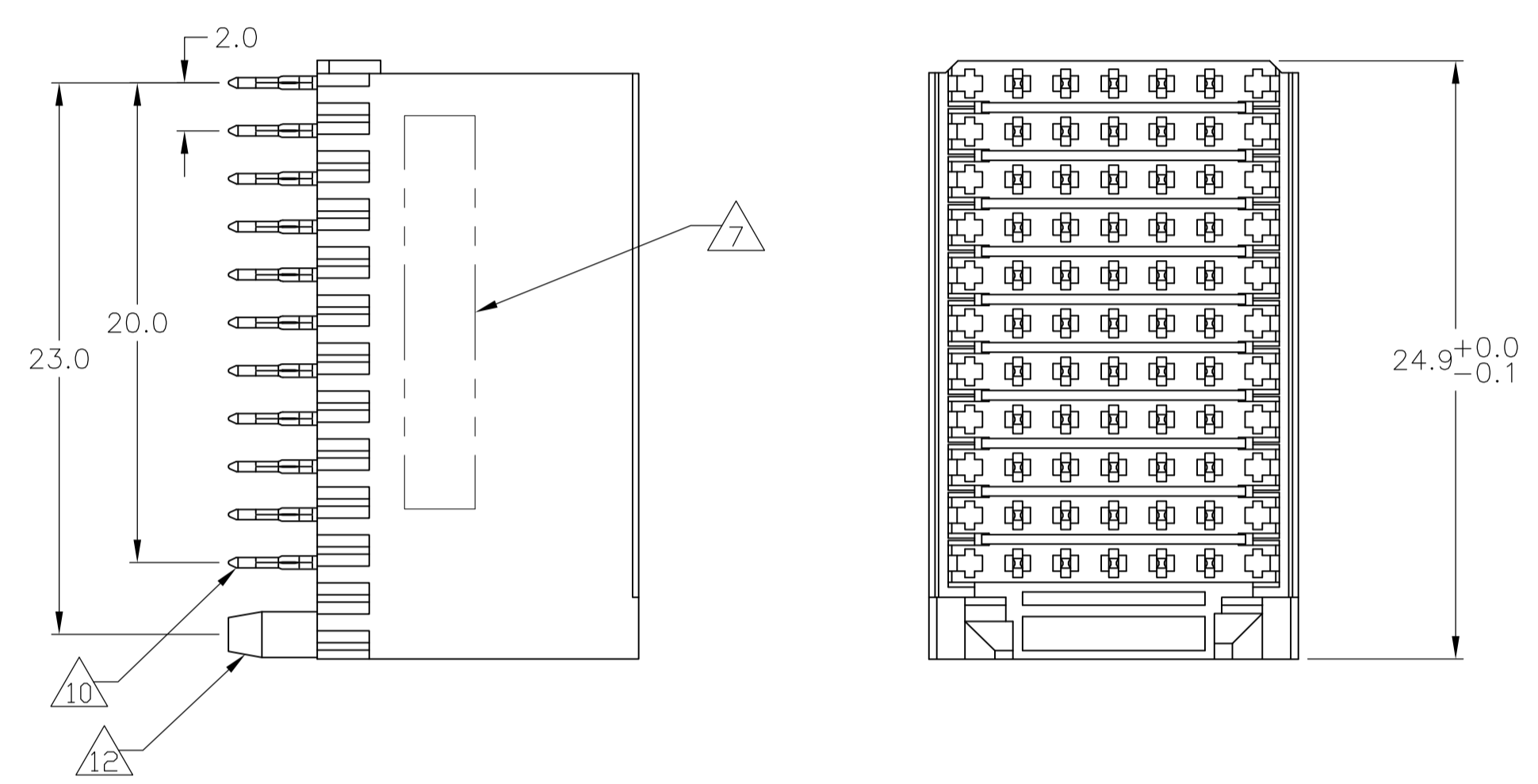
LOC		DIST		REVISIONS			
P	LTR	DESCRIPTION	DATE	DMN	APVD		
B		REVISED PER EC OS12-0306-05	23MAY06	BC	GS		
B1		REVISED PER ECO-10-000444	19JAN10	KK	HMR		
D		ECR-12-007782	26APR12	AZ	AC		

CONTACT DIMENSIONS

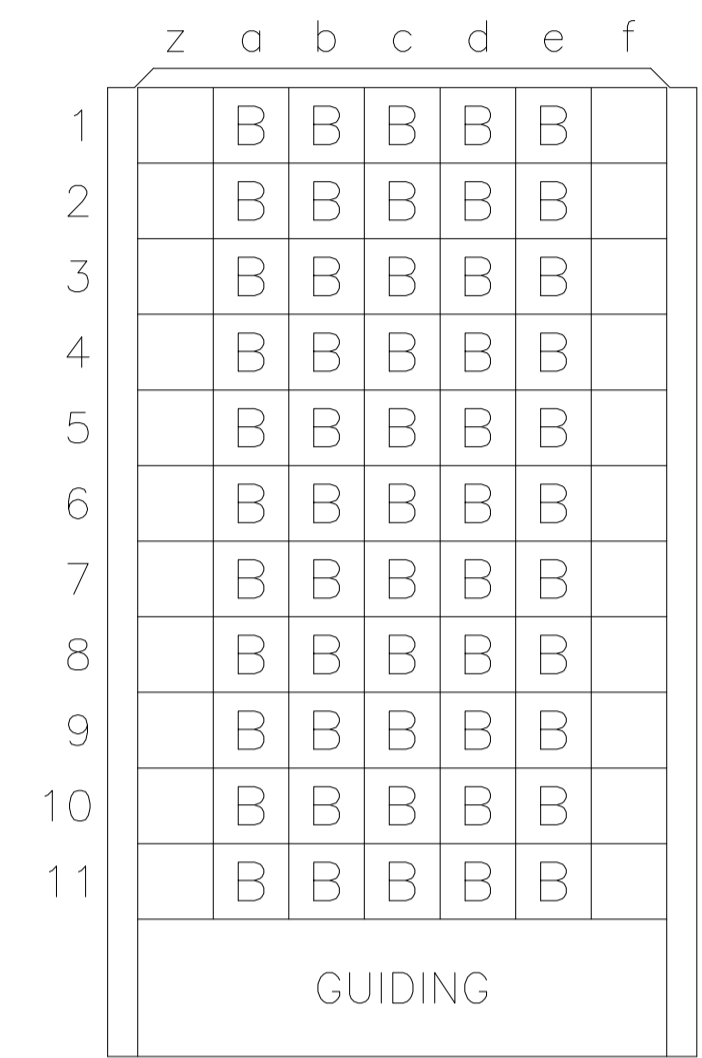
SCALE 5:1



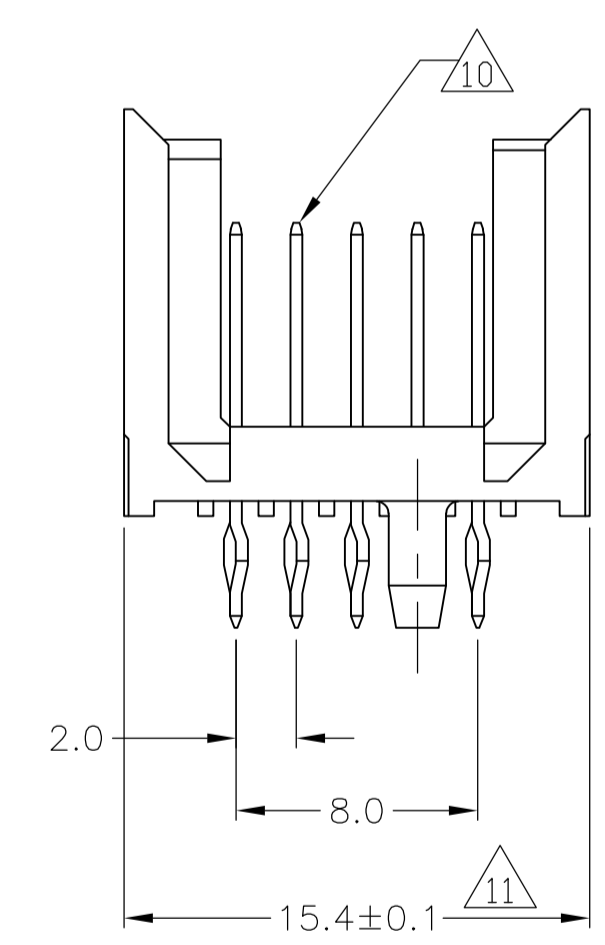
CONNECTOR ASSEMBLY EXAMPLARY LOADED



CONTACT LAYOUT

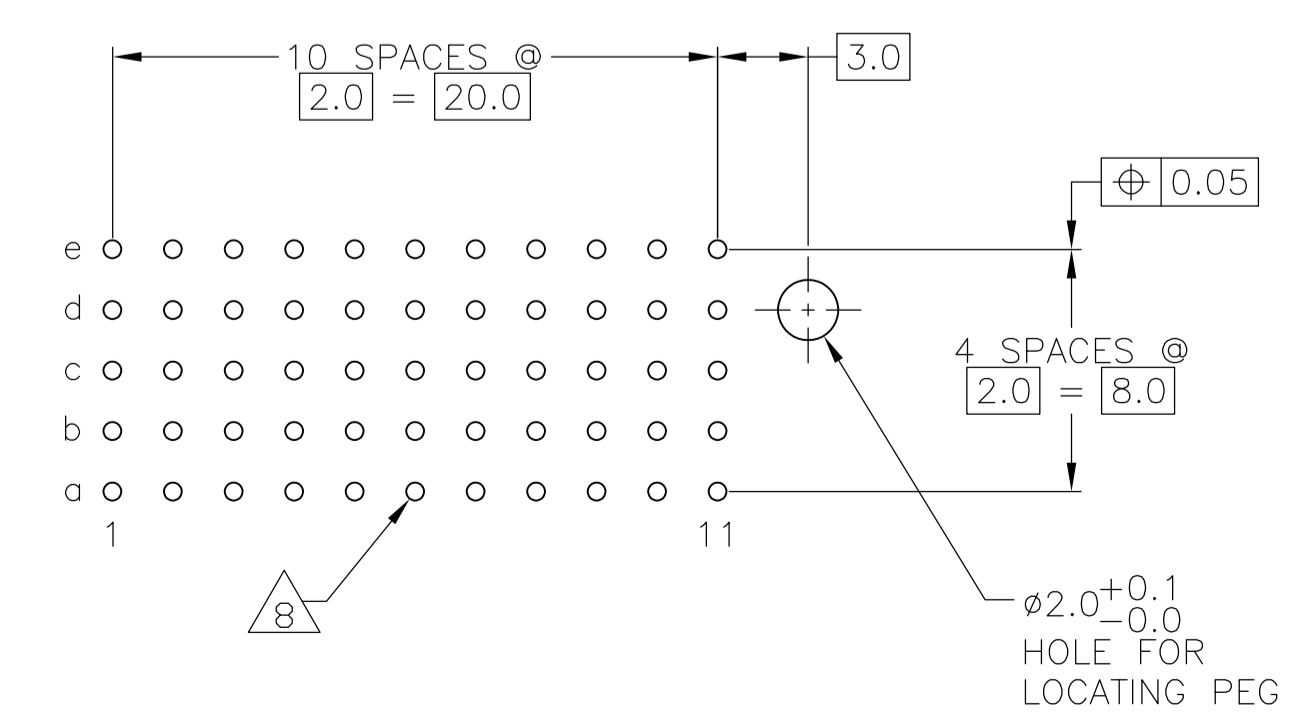


RECOMMENDED PCB-HOLE LAYOUT COMPONENT SIDE SHOWN



PLATED THRU HOLES PARAMETERS

REFERENCE APPLICATION SPECIFICATION




2 6 13	1-5188232-9
2 5 13	5188232-9
2 4	5188232-4
2 3	5188232-1
FINISH	PART NUMBER

THIS DRAWING IS A CONTROLLED DOCUMENT.		DIN B CARBO 05JAN05		Tyco Electronics Corporation	
DIMENSIONS: mm	TOLERANCES UNLESS OTHERWISE SPECIFIED:	CHK G SKIPPER 05JAN04	APVD G SKIPPER 05JAN04	Tyco Electronics Corporation Harrisburg, Pa 17105-3608	
0-PLC ±	1-PLC ± 0.2	NAME		MALE ASSEMBLY, Z-PACK 2mm HM, TYPE C	
2-PLC ± 0.02	3-PLC ± 0.005	PRODUCT SPEC		108-19082	
4-PLC ± 0.002	ANGLES ± 0.30°	APPLICATION SPEC		114-19029	
MATERIAL	FINISH SEE TABLE	WEIGHT	SIZE	CAGE CODE	DRAWING NO
1			A1	00779	5188232
CUSTOMER DRAWING			SCALE	SHEET	REV
			4:1	1 OF 2	D

LOC	DIST	REVISIONS			
P	LTR	DESCRIPTION	DATE	DN	APVO
AD	00	SEE SHEET 1	-	-	-

- 1 MATERIAL:
CONTACT: PHOSPHOR BRONZE.
HOUSING: GLASS-FILLED POLYESTER.
- 2 GENERAL PLATING SPECIFICATION: UNDERPLATING
(ENTIRE CONTACT): 1.27µm MIN NICKEL AND ACTION
PIN: 0.5µm MIN TIN.
FOR PLATING OF MATING SURFACES SEE APPLICABLE
SPECIFICATION REFERENCE FOR EACH DASH NUMBER.
- 3 CONFORMS TO ALL TESTING ACCORDING TO IEC 61076-4-101
PERFORMANCE LEVEL 2.
- 4 CONFORMS TO ALL TESTING ACCORDING TO IEC 61076-4-101
PERFORMANCE LEVEL 1.
- 5 CONNECTOR TESTED AND QUALIFIED AGAINST TELCORDIA GR-1217-CORE QUALITY LEVEL 3,
CENTRAL OFFICE APPLICATIONS.
- 6 CONNECTOR TESTED AND QUALIFIED AGAINST TELCORDIA GR-1217-CORE QUALITY LEVEL 3,
UNCONTROLLED ENVIROMENT APPLICATIONS.
- 7 CONNECTOR MARKED WITH PART NUMBER AND DATE CODE.
ADDITIONAL CHARACTERS OR MARKINGS, AS WELL AS THE LOCATION OF THE MARKINGS,
MAY BE ADDED FOR TRACEABILITY BASED UPON MANUFACTURERS DISCRETION.
- 8 PLATED-THROUGH HOLES AT 2x2mm SQUARE GRID
PATTERN DEFINED BY CONTACT LAYOUT.
- 9 FOR ACTUAL PIN LOADING SEE "CONTACT LAYOUT".
- 10 FOR ACTUAL PIN DIMENSIONS SEE "CONTACT DIMENSIONS".
- 11 TO BE MEASURED AT BOTTOM OF SHROUD.
- 12 LOCATION PEG.
- 13 CONNECTOR LUBRICATED WITH BELCORE APPROVED LUBRICANT,
TECHNICAL REFERENCE: TR-NWT-001217 ISSUE 1, SEP 1992.
- 14 OBSOLETE PARTS: OBSOLETE CIS STREAMLINING PER D.RENAUD/D.SINISI

THIS DRAWING IS A CONTROLLED DOCUMENT.		DIN B CARBO	05JAN05	 Tyco Electronics Corporation Harrisburg, Pa 17105-3608
		CHK G SKIPPER	05JAN04	
		APVO G SKIPPER	05JAN04	NAME
		PRODUCT SPEC		
		108-19082		
		APPLICATION SPEC		
		114-19029		
MATERIAL SEE SHEET 1		FINISH SEE SHEET 1	WEIGHT -	RESTRICTED TO -
		SIZE A1		CAGE CODE 00779
		DRAWING NO 5188232		SCALE 4:1
		CUSTOMER DRAWING		SHEET 2 OF 2
				REV D

Looking for pricing, stock, or lifecycle information?

Click below to explore more details on WIN SOURCE:

 [View 5188232-9](#) on WIN SOURCE

 [TE Connectivity](#) Information

Optimize Your Supply Chain with WIN SOURCE Solutions

-  Global Sourcing Solution
-  Obsolete Management
-  Cost Control Management
-  Shortage Management
-  Alternative Solution
-  Excess Inventory Management