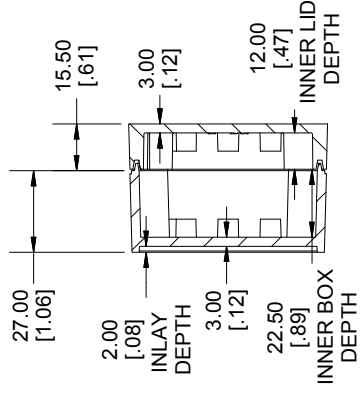
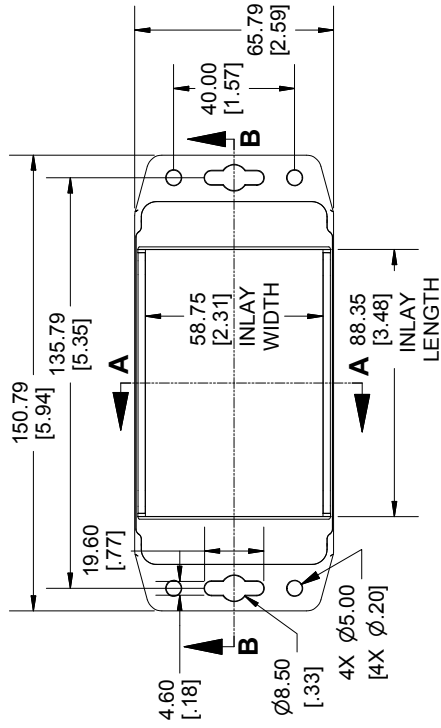




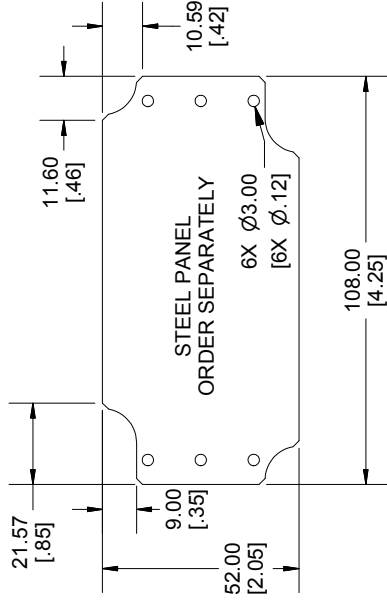
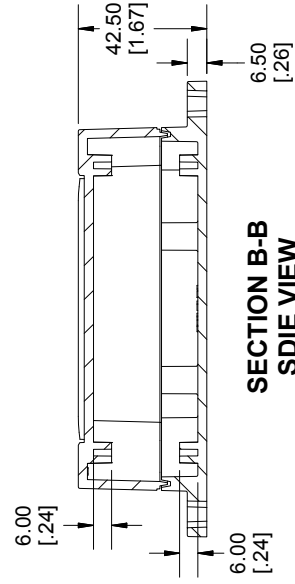
**THE DATASHEET OF
1555CF22GY**





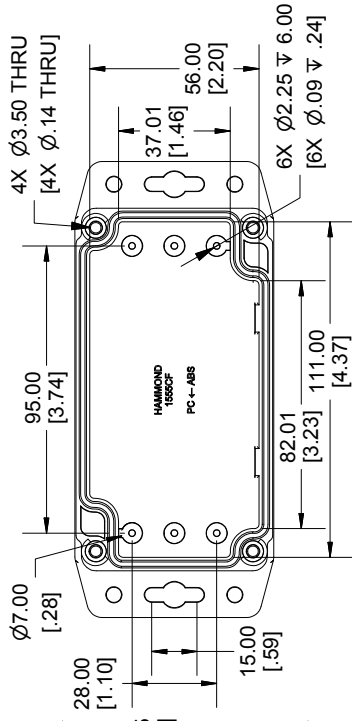
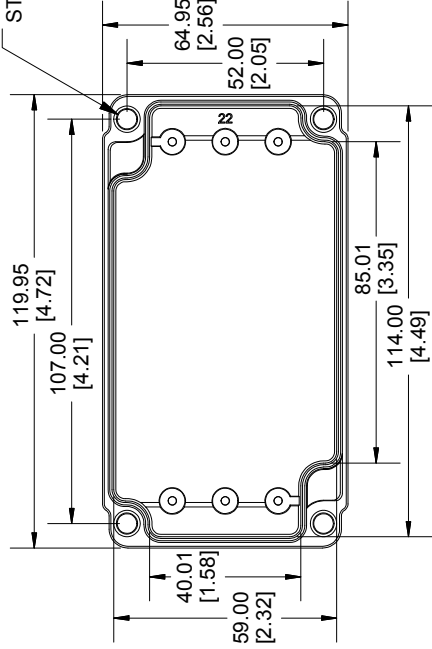
ENCLOSURE ASSEMBLY TOP VIEW

SECTION A-A
END VIEW

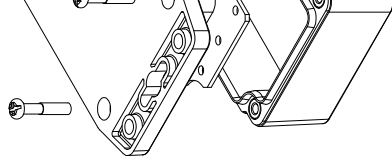


SECTION B-B
SDIE VIEW

4M STAINLESS
STEEL INSERT



Dimensions:
mm
[inches]



Enclosures can be
Contact Factory
Solid models of this
(Part number and text placed
we do not recommend using



Purchased assembly
preformed silicone gaskets
General Purpose ABS
Polycarbonate version
Recommended Co

General Purpose	Polycarbonate
Steel Panel / P.C. E	Steel
Cover Size	#4 X 1/4"
	[M4 X.20mm]



Looking for pricing, stock, or lifecycle information?

Click below to explore more details on WIN SOURCE:

-  [View 1555CF22GY on WIN SOURCE](#)
-  [Hammond Manufacturing Information](#)

Optimize Your Supply Chain with WIN SOURCE Solutions

-  Global Sourcing Solution
-  Obsolete Management
-  Cost Control Management
-  Shortage Management
-  Alternative Solution
-  Excess Inventory Management