



**THE DATASHEET OF
ABS25-32.768KHZ-1-T**



32.768 kHz LOW FREQUENCY SMD CRYSTAL



ABS25

Pb in High Temperature Solder
(exempt per RoHS 2002/95/EC Annex (7))

**RoHS
Compliant**

FEATURES:

- Plastic molded SMD
- 2.5mm height ideal for high density circuit boards
- Suitable for RoHS compliant reflow
- Extended temperature -40°C to +85°C for industrial applications

APPLICATIONS:

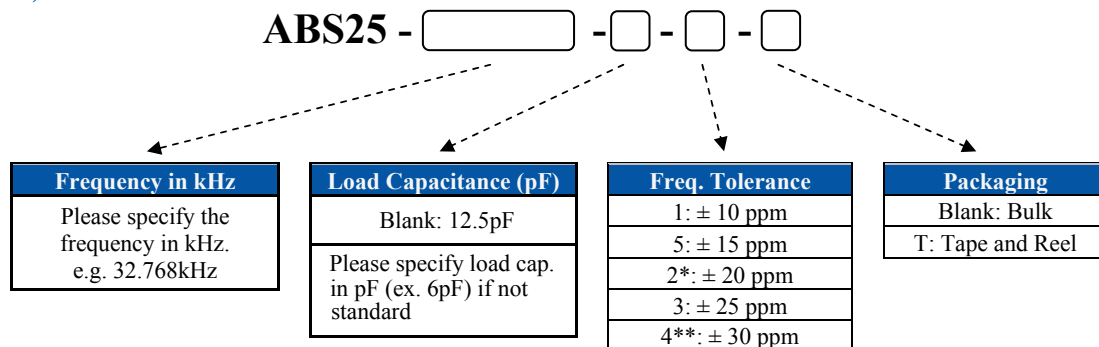
- Wide range in communication & measuring equipment
- Commercial & Industrial applications
- Computer clock

STANDARD SPECIFICATIONS:

| Parameters | Minimum | Typical | Maximum | Units | Notes |
|-----------------------------------|---------|------------|---------|--------------------|----------------------------------|
| Nominal Frequency | ---- | 32.768 | ---- | kHz | |
| Frequency Range | 30 | ---- | 100 | kHz | |
| Operating Temperature | -40 | ---- | +85 | °C | |
| Turnover Temperature | +20 | +25 | +30 | °C | |
| Storage Temperature | -55 | ---- | +125 | °C | |
| Frequency Tolerance @+25°C | -20 | ---- | +20 | ppm | 32.768kHz |
| | -30 | ---- | +30 | | Other frequencies See options |
| Capacitance Ratio (C0/C1) | ---- | 450 | ---- | | 32.768kHz |
| | ---- | 425 to 800 | ---- | | Other frequencies |
| Frequency Coefficient (B) | -0.040 | -0.034 | -0.028 | ppm/T ² | |
| Equivalent series resistance (R1) | ---- | ---- | 50 | kΩ | |
| Shunt capacitance (C0) | ---- | 1.35 | ---- | pF | 32.768kHz |
| | | 0.8 to 1.7 | | | Other frequencies |
| Load capacitance (CL) | 12.5 | | | pF | See options |
| Drive Level | ---- | ---- | 1 | μW | |
| Aging | -3 | ---- | +3 | ppm | @25°C±3°C First year |
| | -5 | ---- | +5 | | |
| Insulation Resistance | 500 | ---- | ---- | MΩ | @ 100Vdc ± 15V |

OPTIONS AND PART IDENTIFICATION:

(Left blank if standard)



*STD for 32.768kHz. Please leave this blank if F is 32.768kHz.

**STD for other frequencies. Please leave this blank if F is not 32.768kHz.

32.768 kHz LOW FREQUENCY SMD CRYSTAL

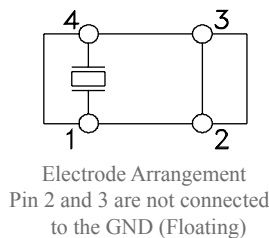
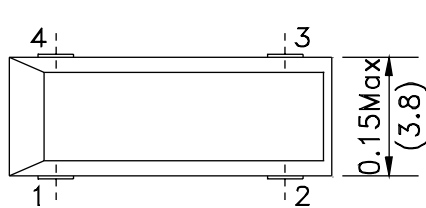


ABS25

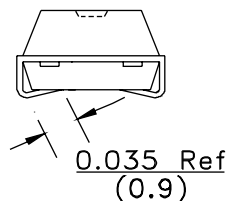
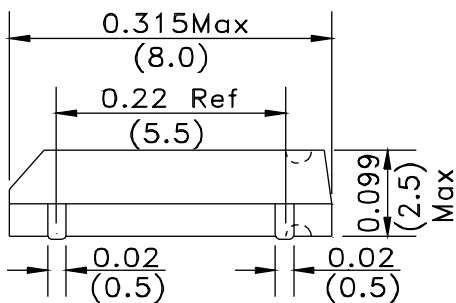
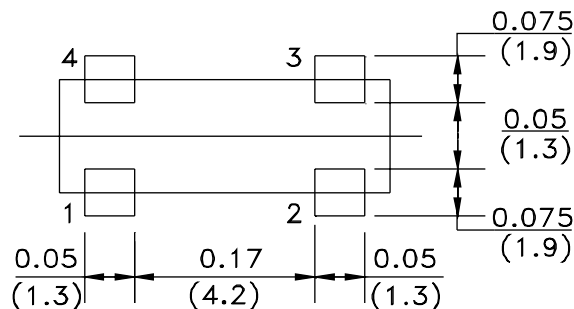
Pb in High Temperature Solder
(exempt per RoHS 2002/95/EC Annex (7))

RoHS
Compliant

OUTLINE DRAWING:



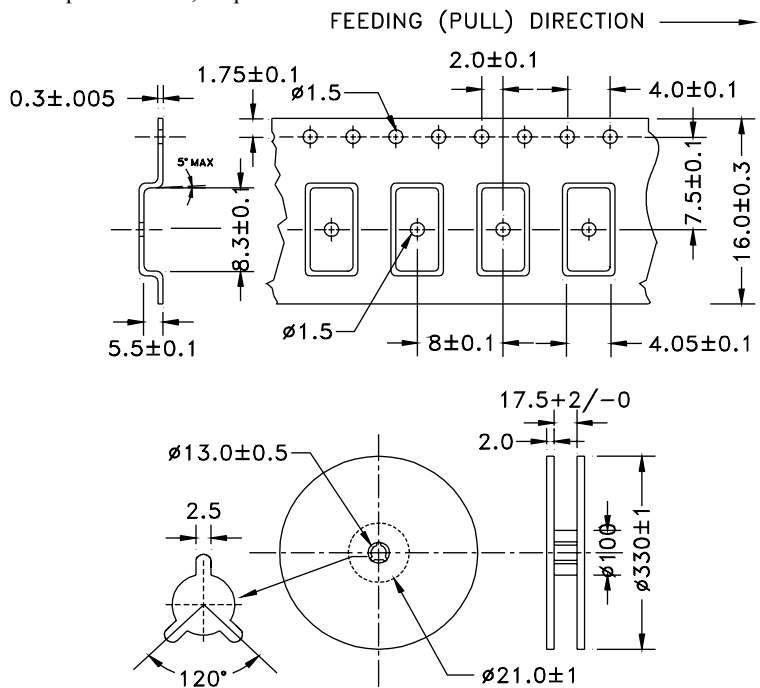
Recommended Land Pattern



Dimensions: (inches) mm

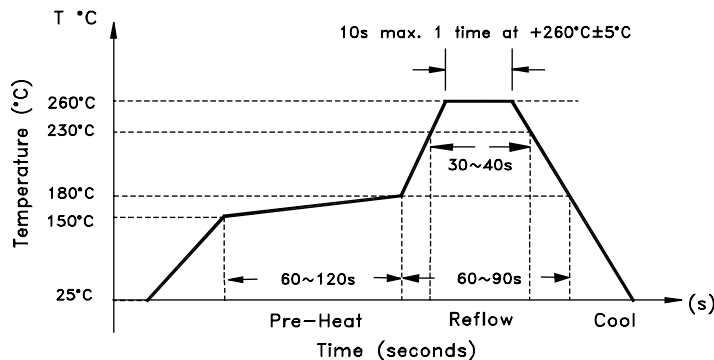
TAPE & REEL:

T = Tape and reel 3,000pcs/reel



Dimensions: mm

REFLOW PROFILE



ATTENTION: Abracon Corporation's products are COTS – Commercial-Off-The-Shelf products; suitable for Commercial, Industrial and, where designated, Automotive Applications. Abracon's products are not specifically designed for Military, Aviation, Aerospace, Life-dependant Medical applications or any application requiring high reliability where component failure could result in loss of life and/or property. For applications requiring high reliability and/or presenting an extreme operating environment, written consent and authorization from Abracon Corporation is required. Please contact Abracon Corporation for more information.

ABRACON IS
ISO9001:2008
CERTIFIED



2 Faraday, Suite# B | Irvine | CA 92618 Revised: 12.01.15
Ph. 949.546.8000 | Fax. 949.546.8001
Visit www.abracon.com for Terms and Conditions of Sale

Looking for pricing, stock, or lifecycle information?

Click below to explore more details on WIN SOURCE:

- ⊖ [View ABS25-32.768KHZ-1-T on WIN SOURCE](#)
- ⊖ [Abracon LLC Information](#)

Optimize Your Supply Chain with WIN SOURCE Solutions

- ✓ Global Sourcing Solution
- ✓ Obsolete Management
- ✓ Cost Control Management
- ✓ Shortage Management
- ✓ Alternative Solution
- ✓ Excess Inventory Management