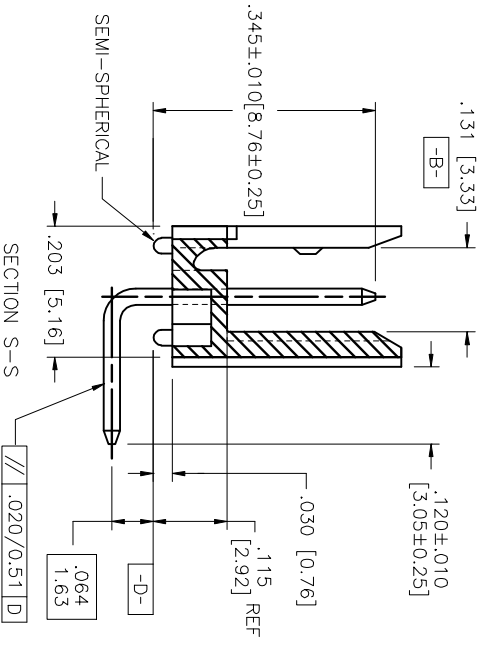
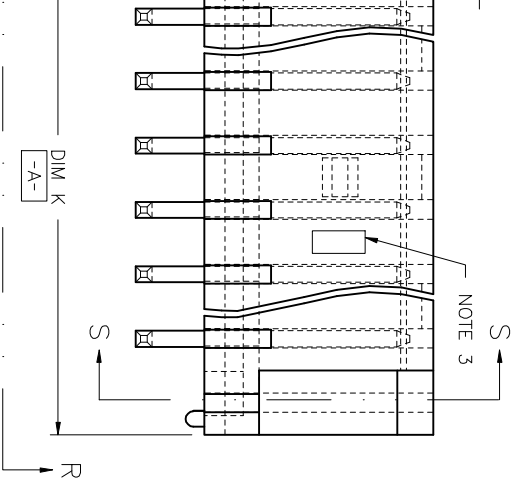
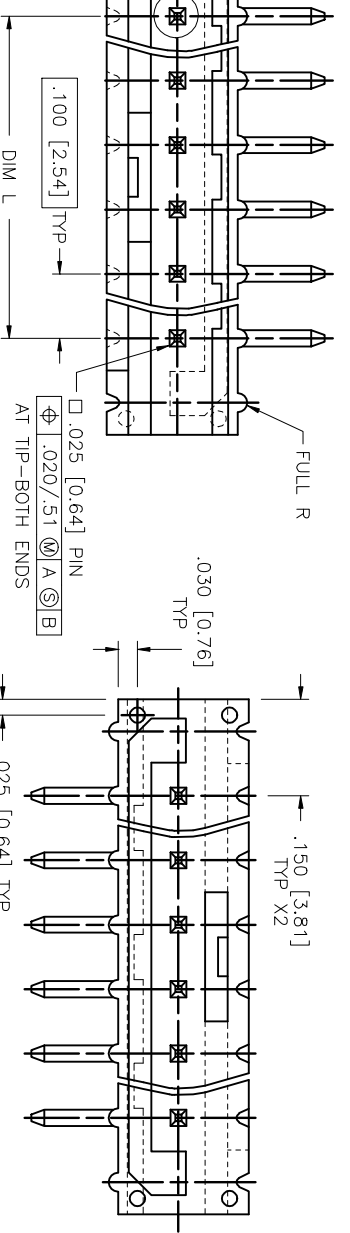




**THE DATASHEET OF**  
**95736-408LF**



2 | 3 | 4 | 5 | 6



NOTE 4

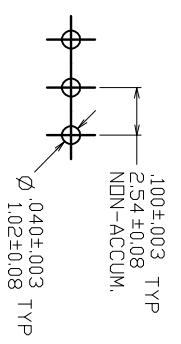
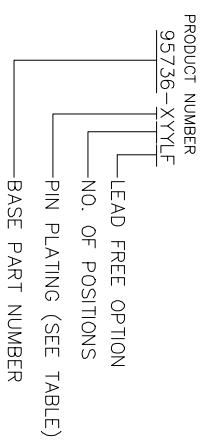
DETAIL T  
SCALE 2:1

mat'l code		surface		tolerance		projection		product family	
ISO 1302		ISO 1302		ISO 1302		ISO 1302		HEADER	
lth	ecrn no	dr	date	angles	linear	MM/100/1000	MM/100/1000	title	
B	V60842	EPK	6/3/96			JME/1/403		CLINCHER™ LATCH HEADER	
C	C71289	HTB	9/22/97			JME/106/MA413		RIGHT ANGLE	
D	M06-0104	MHT	7/15/05	0±.2°		scale 4:1		dwg no	
E	M06-0052	MHT	7/30/06					95736	
F	M06-0233	ACS	6/13/06	endp				sheet 1 of 2 size	
G	M06-0469	MHT	11/28/06	cht				A3	
H	M09-0059	MHT	4/16/09	endp				Product Customer Drawing	
index	revision	sheet	H	H				Drawing	
		1	2						

2 | 3 | 4 | 5 | 6

ENGLISH METRIC	ENGLISH METRIC	ENGLISH METRIC	ENGLISH METRIC	NOTES
.400	10.16	0.100	2.54	-
.500	12.70	0.200	5.08	-
.600	15.24	0.300	7.62	-
.700	17.78	0.400	10.16	-
.800	20.32	0.500	12.70	-
.900	22.86	0.600	15.24	-
1.000	25.40	0.700	17.78	-
1.100	27.94	0.800	20.32	-
1.200	30.48	0.900	22.86	-
1.300	33.02	1.000	25.40	-
1.400	35.56	1.100	27.94	-
1.500	38.10	1.200	30.48	-
1.600	40.64	1.300	33.02	-
1.700	43.18	1.400	35.56	-
1.800	45.72	1.500	38.10	-

DASH NO	OVERPLATING	UNDERPLATING
-1YY	30u" / .76u MIN (SEE NOTE 8)	50u" / 1.27u MIN NI
-1YYLF	30u" / .76u MIN (SEE NOTE 8)	50u" / 1.27u MIN NI
-4YY	100u" / 2.54u MIN Sn (NOTE 9)	50u" / 1.27u MIN NI
-4YYLF	100u" / 2.54u MIN Sn (NOTE 9)	50u" / 1.27u MIN NI



SCALE 3/1  
RECOMMENDED HOLE PATTERN

TEMPERATURE PLASTIC  
-0. COLOR: NATURAL  
BRONZE  
AS SHOWN.  
IN TIP NOT PLATED,  
"F" IN THE END OF  
TS EUROPEAN UNION DIRECTIVES  
AS DESCRIBED IN GS-22-008.  
EXPOSURE TO 260°C PEAK  
ENDS IN A CONVECTION,  
REFLOW OVEN. SEE APPLICATION  
RE AVAILABLE  
ND EXPOSURE TO 260°C PEAK  
IN A WAVE SOLDER APPLICATION  
CIRCUIT BOARD. SEE APPLICATION  
RE AVAILABLE.  
PLATED AT THE MANUFACTURER'S CHOICE  
PLATING IN THE INTERFACE AND  
ISKER GROWTH IN ALL

2	3	4	5	6
---	---	---	---	---

mat'l code	surface	tolerance	projection	product family
lit- H	ISO 1302	ISO 1401	ISO 1471	HEADER
ecgn no	distance from sheet	ISO 1401	ISO 1471	
dr	angles	linear	INCH/MM	title
date	0°±2'	XXXX/006/XXXX13	Scale: 4:1	CLINCHER™ LATCH HEADER
	dr	T. BREWBAKER		RIGHT ANGLE
	engr	T. HANNA		
	chr	T. HANNA		
	appr	T. HANNA		
sheet	revision			type
index	sheet			Product Customer Drawing



dwg no  
95736  
sheet 2 of 2 size  
A3

## Looking for pricing, stock, or lifecycle information?

Click below to explore more details on WIN SOURCE:

 [View 95736-408LF on WIN SOURCE](#)

 [Amphenol FCI Information](#)

## Optimize Your Supply Chain with WIN SOURCE Solutions

-  Global Sourcing Solution
-  Obsolete Management
-  Cost Control Management
-  Shortage Management
-  Alternative Solution
-  Excess Inventory Management