

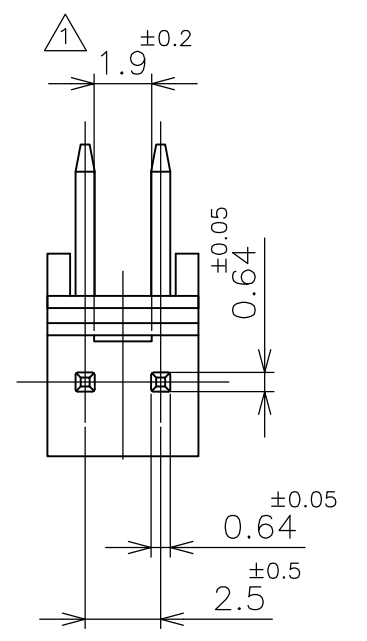
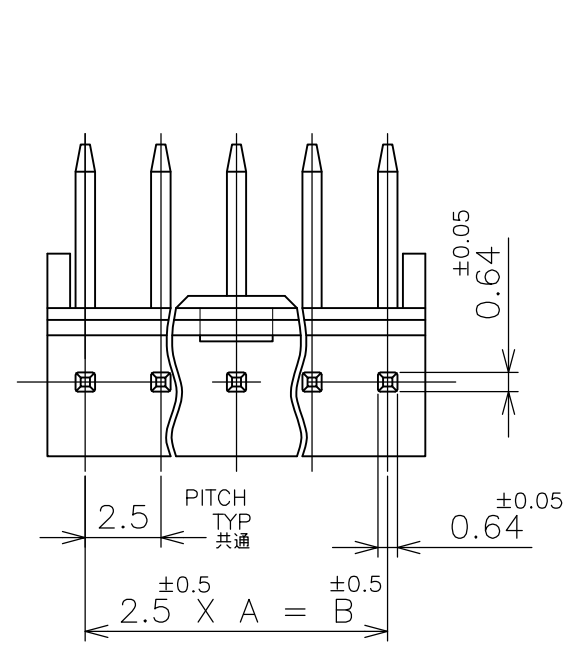


THE DATASHEET OF
171826-3



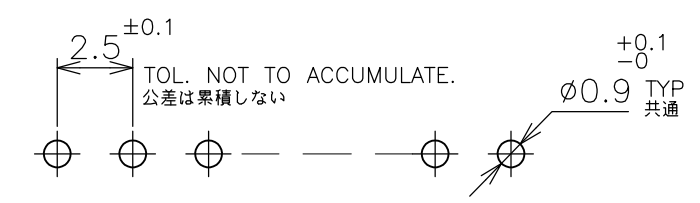
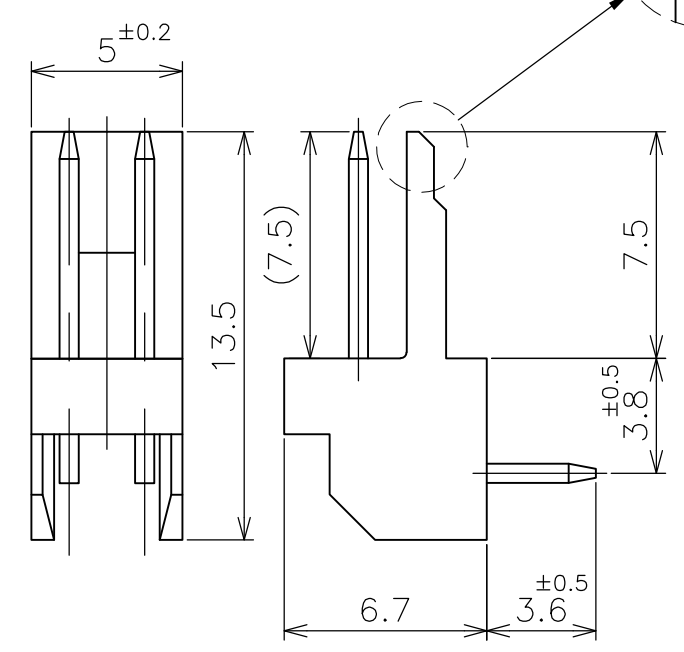
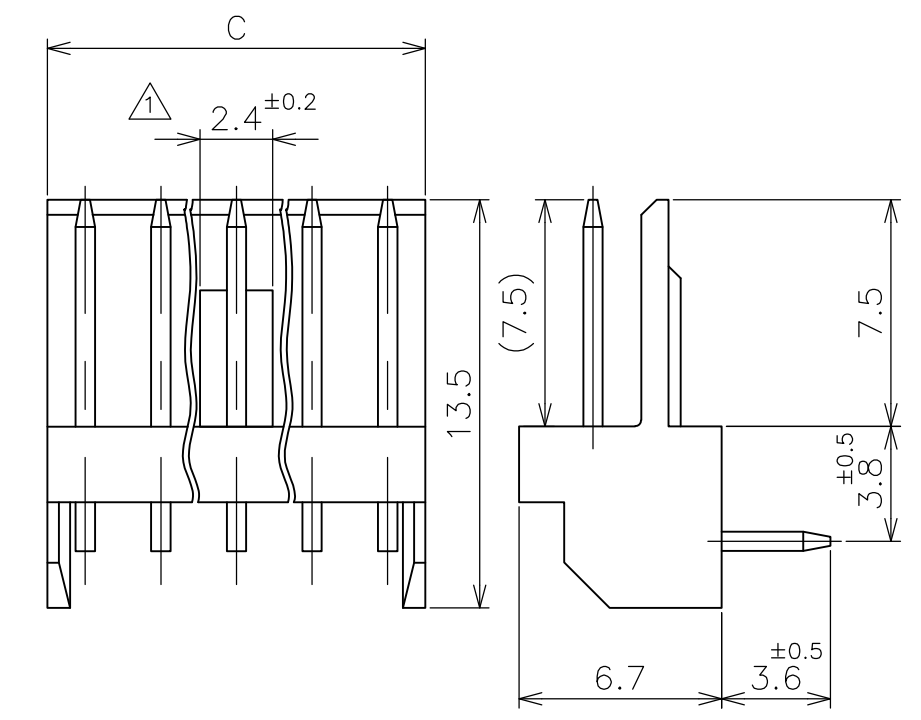
THIS DRAWING IS UNPUBLISHED. RELEASED FOR PUBLICATION MAY, 1977.
 © COPYRIGHT 1977 By - ALL RIGHTS RESERVED.

REVISIONS 変更				
P	LTR	DESCRIPTION	DATE	APVD
	R3	REVISED (ECR-16-017909)	03JAN2017	T.Q W.H



- ① LOCKING HOLE IS PLACED ON THE CENTER OF POST HEADER.
- ② MANUFACTURED BY AMP-BRASIL ONLY
- ③ OBSOLETE RED AND GREEN COLOR PARTS.

② APPLY TO AMP-BRASIL ONLY.



RECOMMENDED BOARD LAYOUT (1.6 THK)
 取付基板寸法(基板厚 1.6t)

3~12 POS 極

2 POS 極

30.0	27.5	11	12	9-171826-2	7-171826-2	5-171826-2	3-171826-2	1-171826-2
25.0	22.5	9	10	9-▲-0	7-▲-0	5-▲-0	3-▲-0	1-▲-0
22.5	20.0	8	9	8-▲-9	6-▲-9	4-▲-9	2-▲-9	▲-9
20.0	17.5	7	8	8-▲-8	6-▲-8	4-▲-8	2-▲-8	▲-8
17.5	15.0	6	7	8-▲-7	6-▲-7	4-▲-7	2-▲-7	▲-7
15.0	12.5	5	6	8-▲-6	6-▲-6	4-▲-6	2-▲-6	▲-6
12.5	10.0	4	5	8-▲-5	6-▲-5	4-▲-5	2-▲-5	▲-5
10.0	7.5	3	4	8-▲-4	6-▲-4	4-▲-4	2-▲-4	▲-4
7.5	5.0	2	3	8-▲-3	6-▲-3	4-▲-3	2-▲-3	▲-3
図示		—//—	2	8-171826-2	6-171826-2	4-171826-2	2-171826-2	171826-2
±0.2 C	±0.5 B	A	NO OF POS 極数	③ RED 赤色	③ GREEN 緑色	BLUE 青色	BLACK 黒色	NATURAL 自然色
				PART NUMBER 型番				

THIS DRAWING IS A CONTROLLED DOCUMENT.		DWN T.DOI 14MAY77	TE Connectivity													
DIMENSIONS: 単位: 耗 mm		CHK H.TAGUCHI 14MAY77														
TOLERANCES UNLESS OTHERWISE SPECIFIED: 一般公差		APVD H.TAGUCHI 14MAY77	NAME 名称													
<table border="0"> <tr><td>0 PLC</td><td>± 0.3</td></tr> <tr><td>1 PLC</td><td>± 0.3</td></tr> <tr><td>2 PLC</td><td>± 0.3</td></tr> <tr><td>3 PLC</td><td>± 0.3</td></tr> <tr><td>4 PLC</td><td>± 0.3</td></tr> <tr><td>ANGLES</td><td>± -</td></tr> </table>		0 PLC	± 0.3	1 PLC	± 0.3	2 PLC	± 0.3	3 PLC	± 0.3	4 PLC	± 0.3	ANGLES	± -	PRODUCT SPEC 製品規格	POST HEADER ASSY (H) EI SERIES CONNECTOR	
0 PLC	± 0.3															
1 PLC	± 0.3															
2 PLC	± 0.3															
3 PLC	± 0.3															
4 PLC	± 0.3															
ANGLES	± -															
MATERIAL 材料 HSG : 66NYLON -UL94V-0 POST: BRASS		APPLICATION SPEC 取付適用規格	SIZE A3	CAGE CODE 00779												
FINISH 仕上 TIN-PLATE 0.8um MIN. ALL OVER NICKEL 0.5um MIN. UNDERPLATED		WEIGHT 0	DRAWING NO 番号 C-171826	RESTRICTED TO 番号												
CUSTOMER DRAWING			SCALE 尺度 4:1	SHEET 1 OF 1												
			REV R3													

Looking for pricing, stock, or lifecycle information?

Click below to explore more details on WIN SOURCE:

 [View 171826-3 on WIN SOURCE](#)

 [TE Connectivity](#) Information

Optimize Your Supply Chain with WIN SOURCE Solutions

-  Global Sourcing Solution
-  Obsolete Management
-  Cost Control Management
-  Shortage Management
-  Alternative Solution
-  Excess Inventory Management