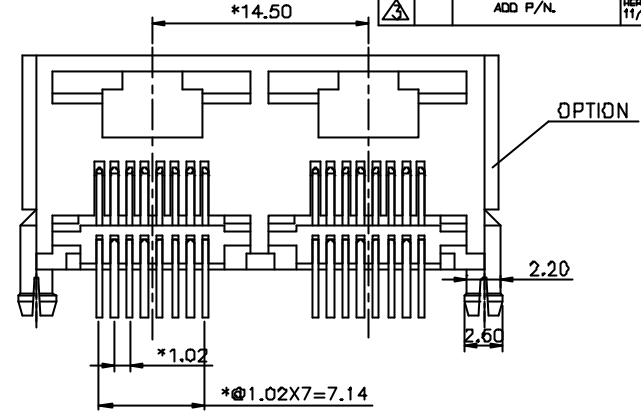
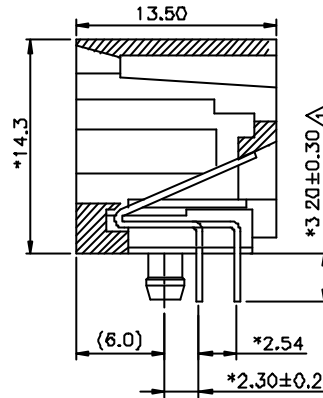
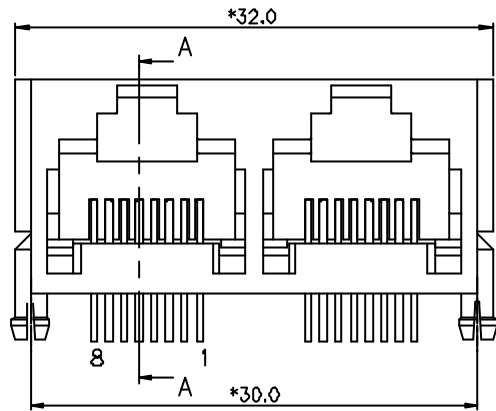




**THE DATASHEET OF
E5584-20A512-L**



REVISION RECORD				
REV	ECO	DESCRIPTION	DRFT	CHKD
△		ADD P/N.	DT	05/06/05
△		ADD P/N.	HERO	10/18/05
△		ADD P/N.	HERO	11/3/05



SECTION A-A

NOTES:

ELECTRICAL:

- VOLTAGE RATING : 125 VAC RMS.
- CURRENT RATING : 1.5 AMP.
- CONTACT RESISTANCE : 30 MILLIOHMS MAX.
- INSULATION RESISTANCE: 1000 MEGOHMS MIN @ 500 VDC.
- DIELECTRIC STRENGTH : 1000 VAC RMS 60HZ, 1MIN.

MECHANICAL:

- HOUSING MATERIAL : PBT+30%GF UL94V-0
- INSERT MATERIAL : PBT+30%GF UL94V-0
- CONTACT MATERIAL : PHOSPHOR BRONZE Ø0.46mm.
- PLATING : GOLD PLATING OVER NICKEL.
- OPERATING LIFE : 750 CYCLES MIN.
- PCB RETENTION PRE-SOLDER : 1 LB MIN.
- PCB RETENTION POST-SOLDER. 10 LBS MIN.

ENVIRONMENTAL:

- STORAGE : -40°C TO +85°C.
- OPERATION: 0°C TO 70°C.
- WAVE SOLDERING TEMPERATURE: 230~250° (3~5 SECONDS)

MATES WITH MODULAR PLUG CONFORMING TO

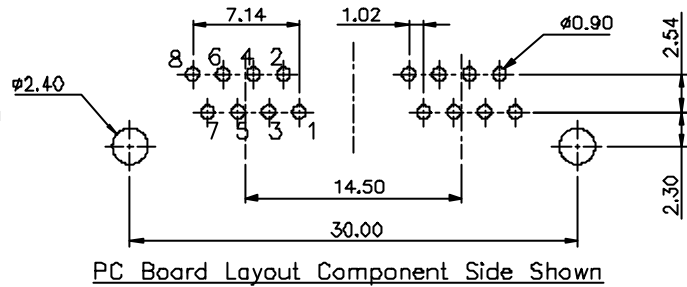
FCC PART 68, SUBPART F.

CUL FILE NO E163191

FREE LEAD PART NUMBER: E558X-20AXXX-L

NQ. OF CONTACT:	1- 3u"	2- 6u"
2- 2C	3-15u"	4-30u"
4- 4C	5-50u"	6-Pd 20u"
6- 6C	1- WITH PANEL STOP	
8- 8C	2- W/O PANEL STOP	
	4- W/ THREE MERELY PANEL STOP △	
	5- W/O THREE MERELY PANEL STOP △	
△ 5-A06-0080		
△ D-A06-2380		
△ K-A05-0220		

昵夕 厂ノ
ZWCAD 2004 刚ノ)
岡簿叫瑞弊WWW.ZWCAD.COM



PC Board Layout Component Side Shown

DETACHED LIST MIN 0 ± 0.2 .00 ± 0.10 .000 ± 0.075 ANGLES ± 0.5 THIRD ANGLE PROJECTION	DFTO YAN CHKD WFO APPVL 0809F DATE 03/28/05 DATE 11/05/05	FULL RISE ELECTRONIC CO., LTD		
	TITLE MINI L/P DUAL PORT 8P			
	QTY : FINISH :		DRAWING NO GE553037-LC	SIZE A3
	SCALE : 3 : 1		/PART NO SEE NOTE	REV 3
DO NOT SCALE DRAWING		SHEET OF		

Looking for pricing, stock, or lifecycle information?

Click below to explore more details on WIN SOURCE:

 [View E5584-20A512-L on WIN SOURCE](#)

 [Pulse Information](#)

Optimize Your Supply Chain with WIN SOURCE Solutions

-  Global Sourcing Solution
-  Obsolete Management
-  Cost Control Management
-  Shortage Management
-  Alternative Solution
-  Excess Inventory Management