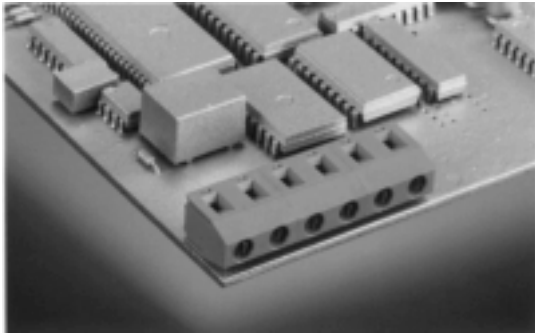




**THE DATASHEET OF
ED360/12**



ED360/X



2-12 poles, Spacing 7.5 mm
insert required no. of poles **X**
How to order see page 5



Ratings:

Rated Voltage	300V	750 V
Rated Current	16 A	24 A (T60)
Wire Size	AWG 22-12	2.5 mm²
Test Voltage		3.0 kV
Rated Torque/ScrewSize		0.5 Nm/M3

Max. Rated Cross Section

Single Wire (solid)	2.5 mm²
Stranded Wire (flexible)	1.5 mm²
Stranded wire with Ferrules	1.5 mm²

Dimensions

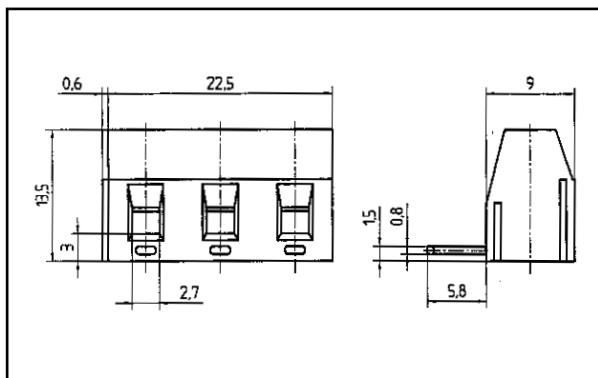
Spacing	7.5 mm
PCB Hole Diameter	1.3 mm
Stripped Length	6.0 mm

Materials

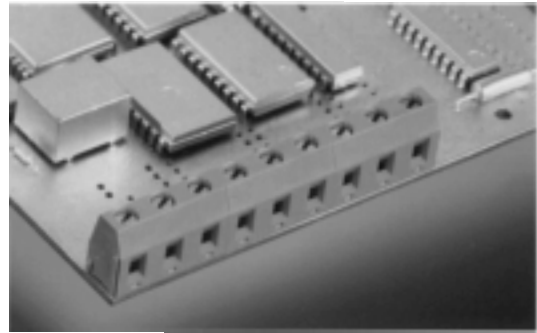
Insulating Material	PA
Flammability Class	UL94 V-0
Temperature Range	-30°C/+105°C
Terminal Block	CuZn
Wire Guard	Cu

Color

Green



ED365/X



2-12 poles, Spacing 7.5 mm
insert required no. of poles **X**
How to order see page 5



Ratings

Rated Voltage	300V	750 V
Rated Current	16 A	24 A (T60)
Wire Size	AWG 22-12	2.5 mm²
Test Voltage		3.0 kV
Rated Torque/ScrewSize		0.5 Nm/M3

Max. Rated Cross Section

Single Wire (solid)	2.5 mm²
Stranded Wire (flexible)	1.5 mm²
Stranded wire with Ferrules	1.5 mm²

Dimensions

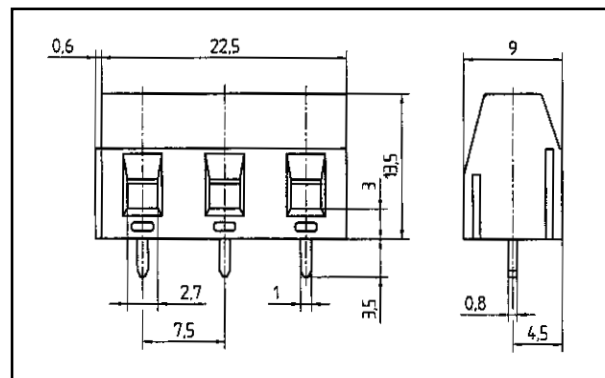
Spacing	7.5 mm
PCB Hole Diameter	1.3 mm
Stripped Length	6.0 mm

Materials

Insulating Material	PA
Flammability Class	UL94 V-0
Temperature Range	-30°C/+105°C
Terminal Block	CuZn
Wire Guard	Cu



Color

Green



Looking for pricing, stock, or lifecycle information?

Click below to explore more details on WIN SOURCE:

-  [View ED360/12 on WIN SOURCE](#)
-  [On Shore Technology Inc. Information](#)

Optimize Your Supply Chain with WIN SOURCE Solutions

-  Global Sourcing Solution
-  Obsolete Management
-  Cost Control Management
-  Shortage Management
-  Alternative Solution
-  Excess Inventory Management