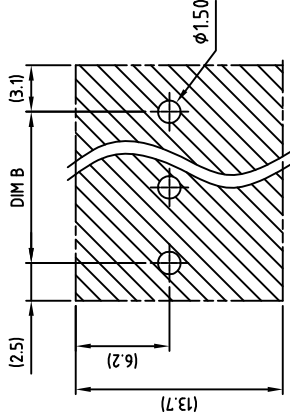
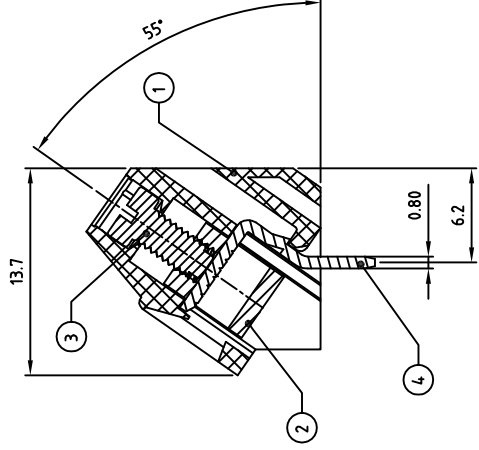
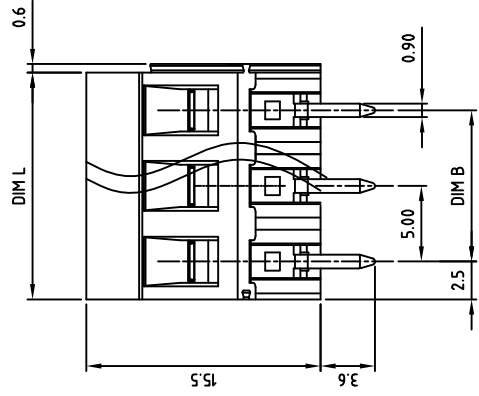
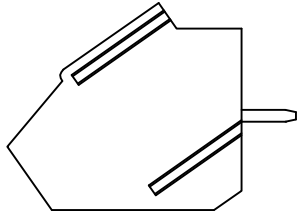
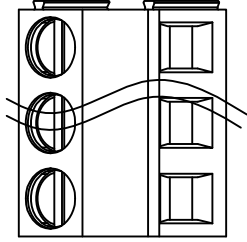




**THE DATASHEET OF
OSTT2190150**



Transfer or duplication of this document as well as the utilisation or communication of its content are not permitted unless express consent is granted. Violations give rise to claims for damages. All rights reserved in case of patent, utility model or design patent registrations.



PCB LAYOUT

SIGN	DESCRIPTION	CHK	DATE

4	CONTACT	BRASS
3	SCREW	STEEL
2	CAGE	BRASS
1	BODY	PA66 UL94V-0

ITEM	NAME OF PART	MA
DWG.	WF. Zhang	DATE 2016.09.04
CHK.	WF. Zhang	DATE 2016.10.04
APP.		DATE



ON-SHORE TECHNOLOGY, INC.

- Technic:
 1.Nominal
 PITC
 2.Connector
 AWG
 3.Insulation
 AC 1
 4.Insulation
 1000
 5.Tight
 4-4
 6.Strip
 8.Operator
 Solid
 9.Under
 Dim
 Dim
 P=
 0-3
 ove
 ove
 10.Safe
 11.RehS
 Part No.: OST12

Looking for pricing, stock, or lifecycle information?

Click below to explore more details on WIN SOURCE:

- ⊖ [View OSTT2190150](#) on WIN SOURCE
- ⊖ [On Shore Technology Inc.](#) Information

Optimize Your Supply Chain with WIN SOURCE Solutions

- ✓ Global Sourcing Solution
- ✓ Obsolete Management
- ✓ Cost Control Management
- ✓ Shortage Management
- ✓ Alternative Solution
- ✓ Excess Inventory Management