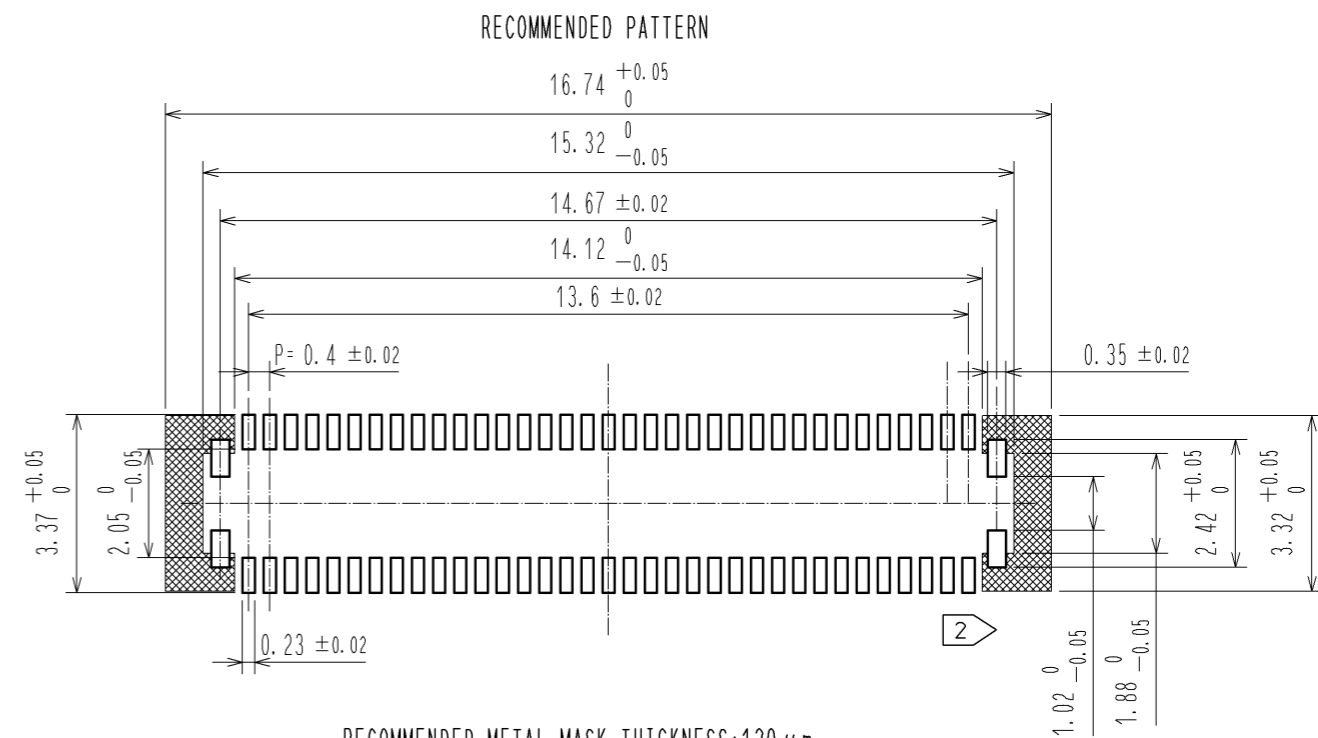
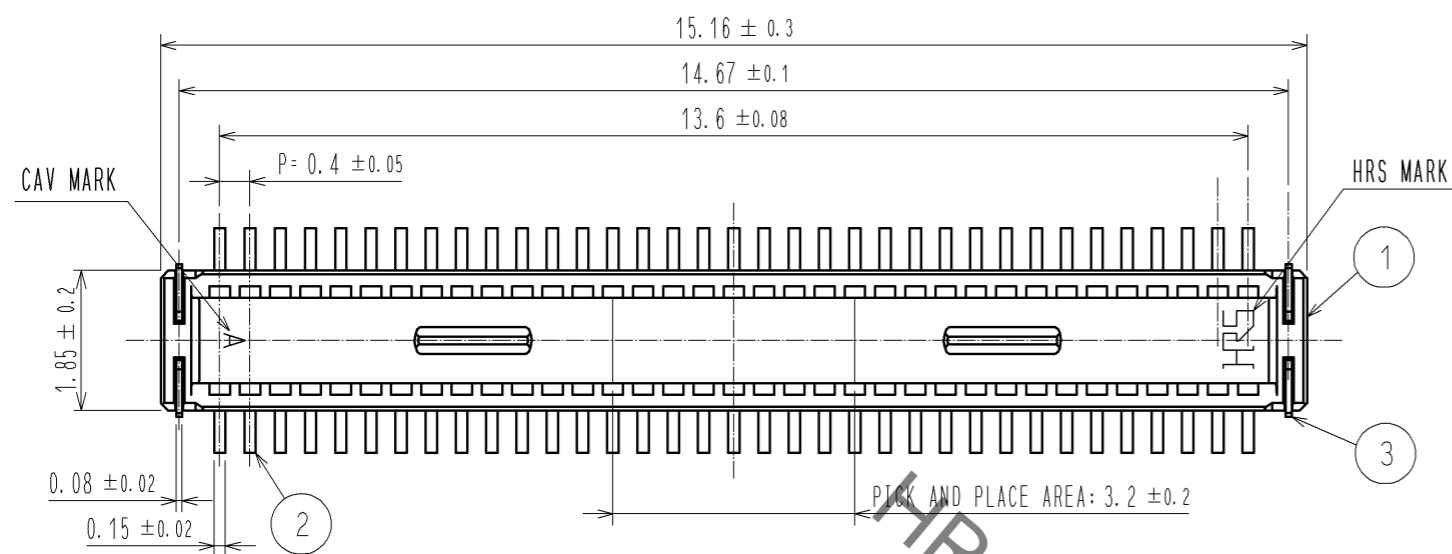




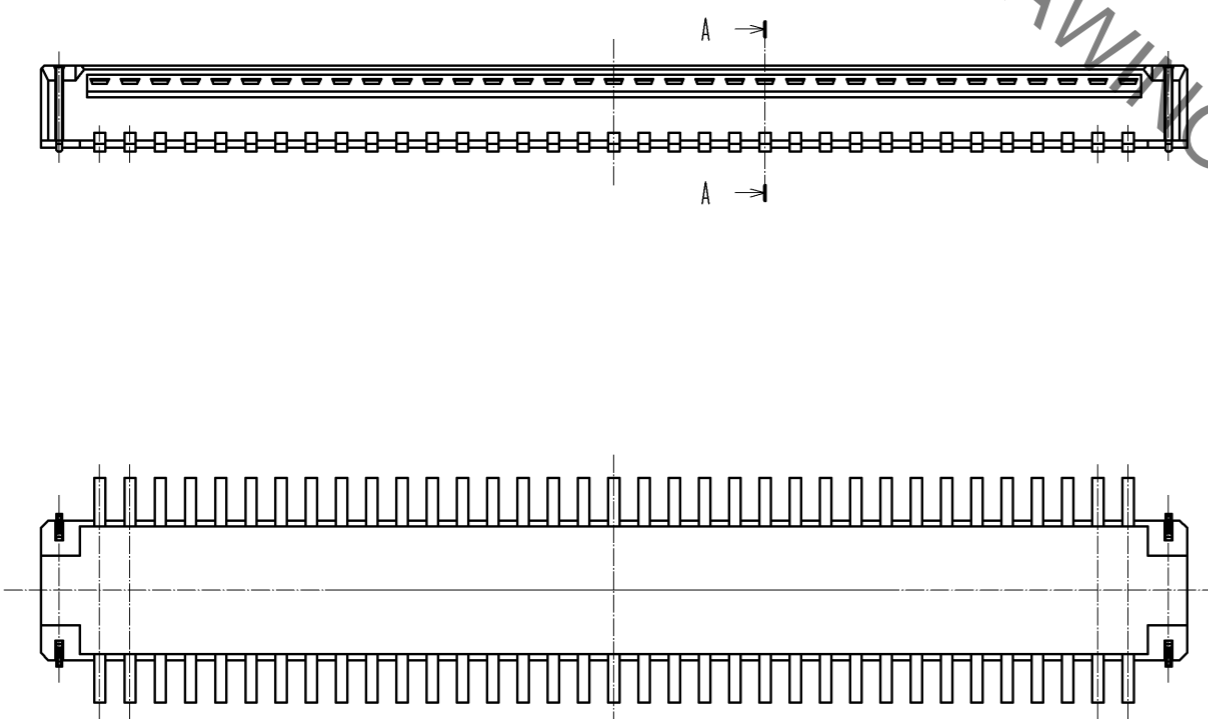
**THE DATASHEET OF  
DF40GB-70DP-0.4V(51)**



Sep.1.2019 Copyright 2019 HIROSE ELECTRIC CO., LTD. All Rights Reserved.  
In case of consideration for using Automotive equipment / device which demand high reliability, kindly contact our sales window correspondents.



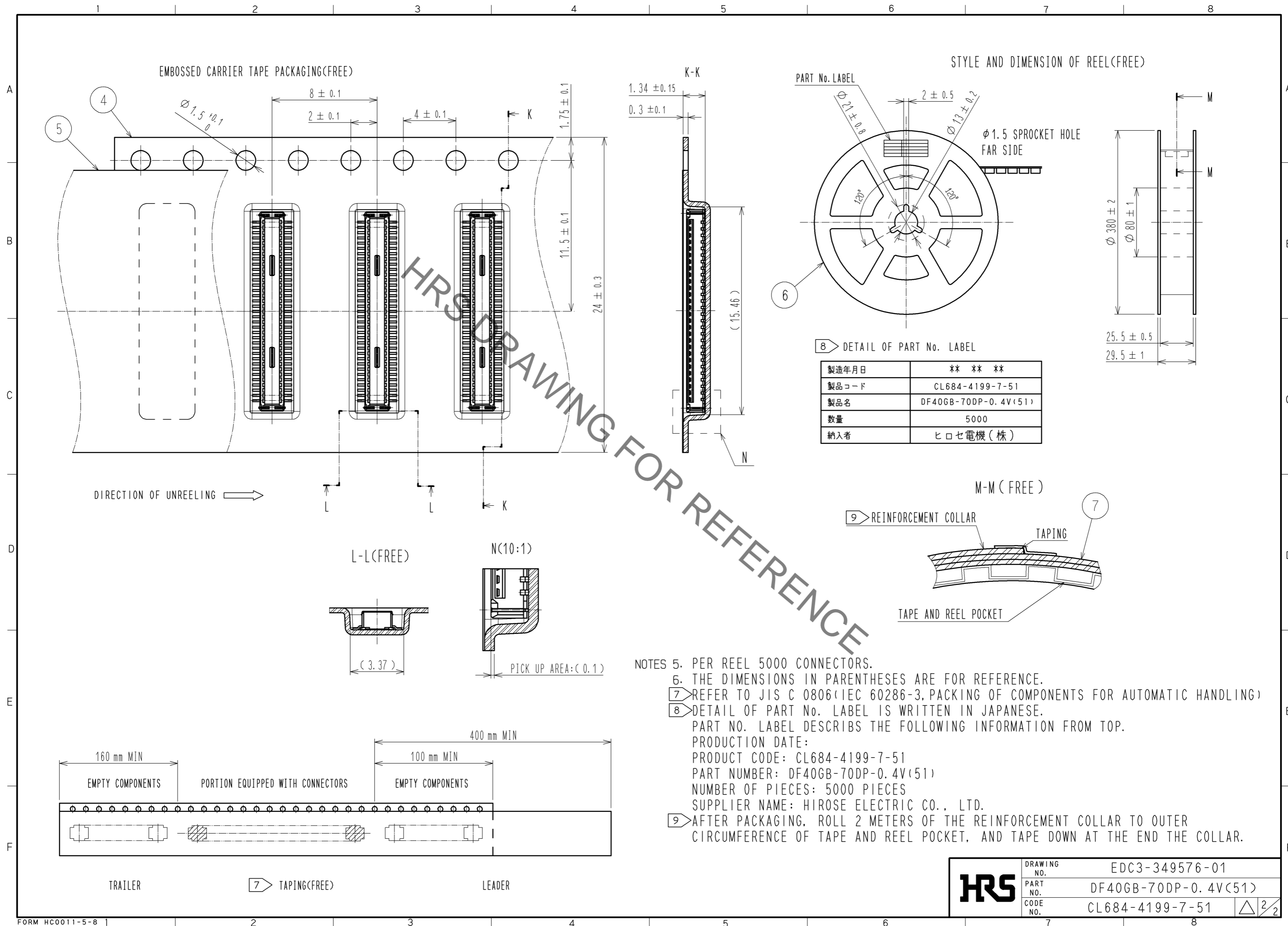
RECOMMENDED METAL MASK THICKNESS: 120 μm  
RECOMMENDED MASK OPENING RATIO: 80% FOR LEAD PAD



NOTES 1. ALL LEADS METAL FITTINGS CO-PLANARITY SHALL BE 0.1mm MAX.  
2. IS NON-CONDUCTIVE AREA.

2	PHOSPHOR BRONZE	CONTACT AREA: GOLD 0.05 μm MIN SMT LEAD: GOLD 0.05 μm MIN UNDERPLATING: NICKEL 1 μm MIN	7	PS	CLEAR<REINFORCEMENT COLLAR>
1	LCP	BLACK, UL94V-0	6	PS	BLACK<PLASTIC REEL>
			5	POLYESTER	CLEAR<COVER TAPE>
			4	PS	CLEAR<EMBOSSED CARRIER TAPE>
			3	PHOSPHOR BRONZE	CONTACT AREA: GOLD 0.05 μm MIN SMT LEAD: GOLD 0.05 μm MIN UNDERPLATING: NICKEL 1 μm MIN
NO.	MATERIAL	FINISH . REMARKS	NO.	MATERIAL	FINISH . REMARKS
UNITS		SCALE	COUNT	DESCRIPTION OF REVISIONS	
mm		10 : 1		DESIGNED	CHECKED
<b>HRS</b> HIROSE ELECTRIC CO., LTD.		APPROVED : KH. IKEDA	13. 09. 13	DRAWING NO. EDC3-349576-01	
		CHECED : TS. MIYAZAKI	13. 09. 13	PART NO. DF40GB-70DP-0. 4V(51)	
		DESIGNED : RT. SHIMIZU	13. 09. 12	CODE NO. CL684-4199-7-51	
		DRAWN : TH. YASUI	13. 09. 12	1/2	

Sep.1.2019 Copyright 2019 HIROSE ELECTRIC CO., LTD. All Rights Reserved.  
 In case of consideration for using Automotive equipment / device which demand high reliability, kindly contact our sales window correspondents.



8) DETAIL OF PART No. LABEL

製造年月日	** ** *
製品コード	CL684-4199-7-51
製品名	DF40GB-70DP-0.4V(51)
数量	5000
納入者	ヒロセ電機(株)

- NOTES
- 5. PER REEL 5000 CONNECTORS.
  - 6. THE DIMENSIONS IN PARENTHESES ARE FOR REFERENCE.
  - 7) REFER TO JIS C 0806 (IEC 60286-3, PACKING OF COMPONENTS FOR AUTOMATIC HANDLING)
  - 8) DETAIL OF PART No. LABEL IS WRITTEN IN JAPANESE.  
 PART NO. LABEL DESCRIBES THE FOLLOWING INFORMATION FROM TOP.  
 PRODUCTION DATE:  
 PRODUCT CODE: CL684-4199-7-51  
 PART NUMBER: DF40GB-70DP-0.4V(51)  
 NUMBER OF PIECES: 5000 PIECES  
 SUPPLIER NAME: HIROSE ELECTRIC CO., LTD.
  - 9) AFTER PACKAGING, ROLL 2 METERS OF THE REINFORCEMENT COLLAR TO OUTER CIRCUMFERENCE OF TAPE AND REEL POCKET, AND TAPE DOWN AT THE END THE COLLAR.

<b>HRS</b>	DRAWING NO.	EDC3-349576-01
	PART NO.	DF40GB-70DP-0.4V(51)
	CODE NO.	CL684-4199-7-51
		△ 2/2

## Looking for pricing, stock, or lifecycle information?

Click below to explore more details on WIN SOURCE:

- ⊖ [View DF40GB-70DP-0.4V\(51\) on WIN SOURCE](#)
- ⊖ [Hirose Electric Co Ltd Information](#)

## Optimize Your Supply Chain with WIN SOURCE Solutions

- ✓ Global Sourcing Solution
- ✓ Obsolete Management
- ✓ Cost Control Management
- ✓ Shortage Management
- ✓ Alternative Solution
- ✓ Excess Inventory Management