



**THE DATASHEET OF  
LTC4357CDCB#TRPBF**



# Positive High Voltage Ideal Diode Controller

## FEATURES

- Reduces Power Dissipation by Replacing a Power Schottky Diode with an N-Channel MOSFET
- 0.5 $\mu$ s Turn-Off Time Limits Peak Fault Current
- Wide Operating Voltage Range: 9V to 80V
- Smooth Switchover without Oscillation
- No Reverse DC Current
- Available in 6-Lead (2mm  $\times$  3mm) DFN and 8-Lead MSOP Packages

## APPLICATIONS

- N + 1 Redundant Power Supplies
- High Availability Systems
- Advanced TCA Systems
- Telecom Infrastructure
- Automotive Systems

## DESCRIPTION

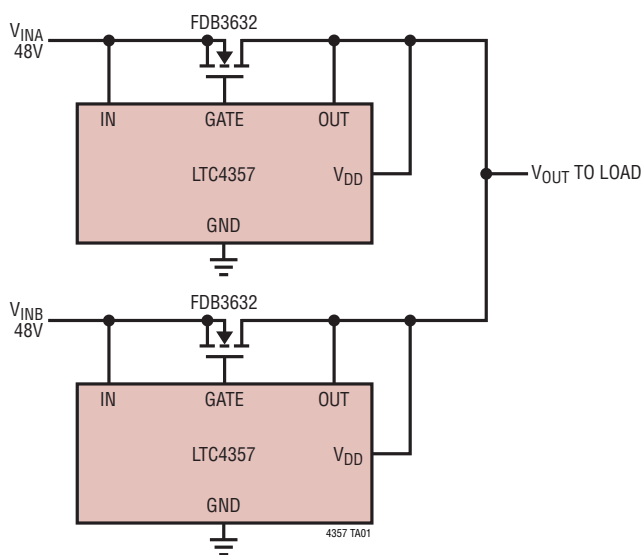
The LTC<sup>®</sup>4357 is a positive high voltage ideal diode controller that drives an external N-channel MOSFET to replace a Schottky diode. When used in diode-OR and high current diode applications, the LTC4357 reduces power consumption, heat dissipation, voltage loss and PC board area.

The LTC4357 easily ORs power sources to increase total system reliability. In diode-OR applications, the LTC4357 controls the forward voltage drop across the MOSFET to ensure smooth current transfer from one path to the other without oscillation. If the power source fails or is shorted, a fast turn-off minimizes reverse current transients.

LT, LTC, LTM, Linear Technology and the Linear logo are registered trademarks and Hot Swap is a trademark of Linear Technology Corporation. All other trademarks are the property of their respective owners.

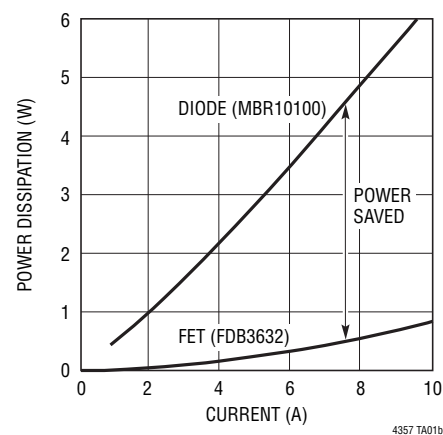
## TYPICAL APPLICATION

48V, 10A Diode-OR



\*SEE FIGURES 2 AND 3 FOR ADDITIONAL OPTIONAL COMPONENTS

Power Dissipation vs Load Current



# LTC4357

## ABSOLUTE MAXIMUM RATINGS (Notes 1, 2)

### Supply Voltages

IN ..... -1V to 100V

OUT, V<sub>DD</sub> ..... -0.3V to 100V

### Output Voltage

GATE (Note 3) ..... V<sub>IN</sub> - 0.2V to V<sub>IN</sub> + 10V

### Operating Ambient Temperature Range

LTC4357C ..... 0°C to 70°C

LTC4357I ..... -40°C to 85°C

LTC4357H ..... -40°C to 125°C

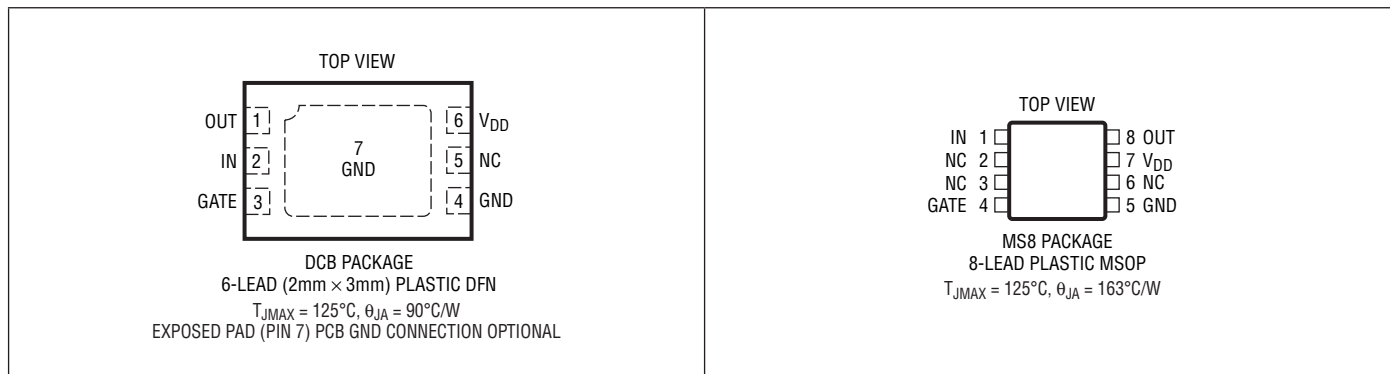
LTC4357MP ..... -55°C to 125°C

Storage Temperature Range ..... -65°C to 150°C

Lead Temperature (Soldering, 10 sec)

MS Package ..... 300°C

## PIN CONFIGURATION



## ORDER INFORMATION

| LEAD FREE FINISH  | TAPE AND REEL      | PART MARKING* | PACKAGE DESCRIPTION | TEMPERATURE RANGE |
|-------------------|--------------------|---------------|---------------------|-------------------|
| LTC4357CMS8#PBF   | LTC4357CMS8#TRPBF  | LTCXD         | 8-Lead Plastic MSOP | 0°C to 70°C       |
| LTC4357IMS8#PBF   | LTC4357IMS8#TRPBF  | LTCXD         | 8-Lead Plastic MSOP | -40°C to 85°C     |
| LTC4357HMS8#PBF   | LTC4357HMS8#TRPBF  | LTCXD         | 8-Lead Plastic MSOP | -40°C to 125°C    |
| LTC4357MPMS8#PBF  | LTC4357MPMS8#TRPBF | LTFWZ         | 8-Lead Plastic MSOP | -55°C to 125°C    |
| LEAD BASED FINISH | TAPE AND REEL      | PART MARKING* | PACKAGE DESCRIPTION | TEMPERATURE RANGE |
| LTC4357MPMS8      | LTC4357MPMS8#TR    | LTFWZ         | 8-Lead Plastic MSOP | -55°C to 125°C    |

| LEAD FREE FINISH<br>TAPE AND REEL (MINI) | TAPE AND REEL     | PART MARKING* | PACKAGE DESCRIPTION            | TEMPERATURE RANGE |
|--|-------------------|---------------|--------------------------------|-------------------|
| LTC4357CDCB#TRMPBF                       | LTC4357CDCB#TRPBF | LCXF          | 6-Lead (2mm × 3mm) Plastic DFN | 0°C to 70°C       |
| LTC4357IDCB#TRMPBF                       | LTC4357IDCB#TRPBF | LCXF          | 6-Lead (2mm × 3mm) Plastic DFN | -40°C to 85°C     |
| LTC4357HDCB#TRMPBF                       | LTC4357HDCB#TRPBF | LCXF          | 6-Lead (2mm × 3mm) Plastic DFN | -40°C to 125°C    |

TRM = 500 pieces. \*Temperature grades are identified by a label on the shipping container.

Consult LTC Marketing for parts specified with wider operating temperature ranges.

Consult LTC Marketing for information on lead based finish parts.

For more information on lead free part marking, go to: <http://www.linear.com/leadfree/>

For more information on tape and reel specifications, go to: <http://www.linear.com/tapeandreel/>

4357fd

**ELECTRICAL CHARACTERISTICS** The ● denotes the specifications which apply over the full operating temperature range, otherwise specifications are at  $T_A = 25^\circ\text{C}$ .  $V_{OUT} = V_{DD}$ ,  $V_{DD} = 9\text{V to } 80\text{V}$  unless otherwise noted.

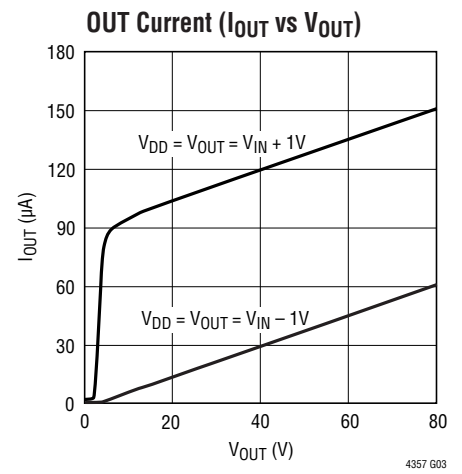
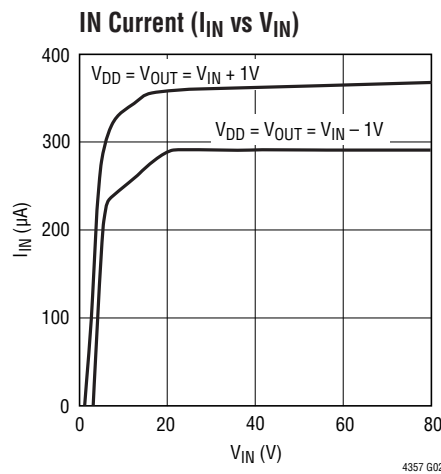
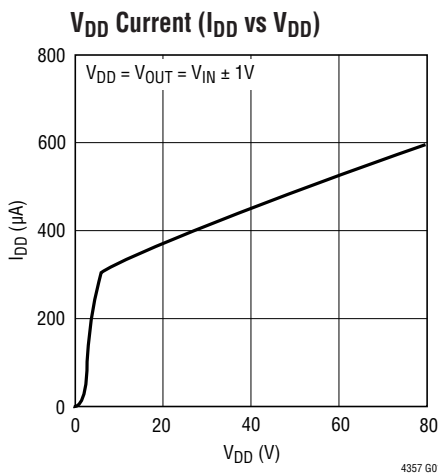
| SYMBOL            | PARAMETER  | CONDITIONS  | MIN   | TYP | MAX  | UNITS         |
|-------------------|--|---|-------|-----|------|---------------|
| $V_{DD}$          | Operating Supply Range                                       |   | ● 9   |     | 80   | V             |
| $I_{DD}$          | Supply Current   |   | ●     | 0.5 | 1.25 | mA            |
| $I_{IN}$          | IN Pin Current   | $V_{IN} = V_{OUT} \pm 1\text{V}$  | ● 150 | 350 | 500  | $\mu\text{A}$ |
| $I_{OUT}$         | OUT Pin Current  | $V_{IN} = V_{OUT} \pm 1\text{V}$  | ●     | 80  | 210  | $\mu\text{A}$ |
| $\Delta V_{GATE}$ | External N-Channel Gate Drive ( $V_{GATE} - V_{IN}$ )        | $V_{DD}, V_{OUT} = 20\text{V to } 80\text{V}$   | ● 10  | 12  | 15   | V             |
|                   |  | $V_{DD}, V_{OUT} = 9\text{V to } 20\text{V}$  | ● 4.5 | 6   | 15   | V             |
| $I_{GATE(UP)}$    | External N-Channel Gate Pull-Up Current                      | $V_{GATE} = V_{IN}, V_{IN} - V_{OUT} = 0.1\text{V}$   | ● -14 | -20 | -26  | $\mu\text{A}$ |
| $I_{GATE(DOWN)}$  | External N-Channel Gate Pull-Down Current in Fault Condition | $V_{GATE} = V_{IN} + 5\text{V}$   | ● 1   | 2   |      | A             |
| $t_{OFF}$         | Gate Turn-Off Time   | $V_{IN} - V_{OUT} = 55\text{mV} \lfloor -1\text{V}$ ,<br>$V_{GATE} - V_{IN} < 1\text{V}, C_{GATE} = 0\text{pF}$ | ●     | 300 | 500  | ns            |
| $\Delta V_{SD}$   | Source-Drain Regulation Voltage ( $V_{IN} - V_{OUT}$ )       | $V_{GATE} - V_{IN} = 2.5\text{V}$   | ● 10  | 25  | 55   | mV            |

**Note 1:** Stresses beyond those listed under Absolute Maximum Ratings may cause permanent damage to the device. Exposure to any Absolute Maximum Rating condition for extended periods may affect device reliability and lifetime.

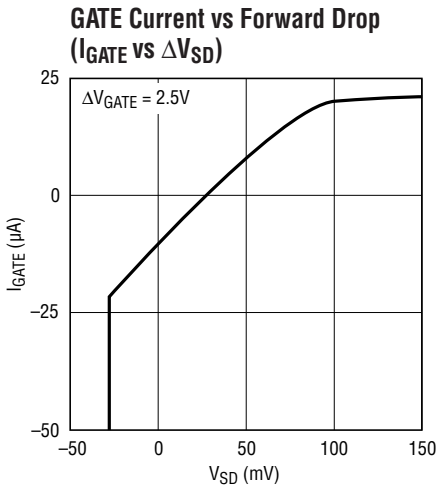
**Note 2:** All currents into pins are positive, all voltages are referenced to GND unless otherwise specified.

**Note 3:** An internal clamp limits the GATE pin to a minimum of 10V above IN or 100V above GND. Driving this pin to voltages beyond this clamp may damage the device.

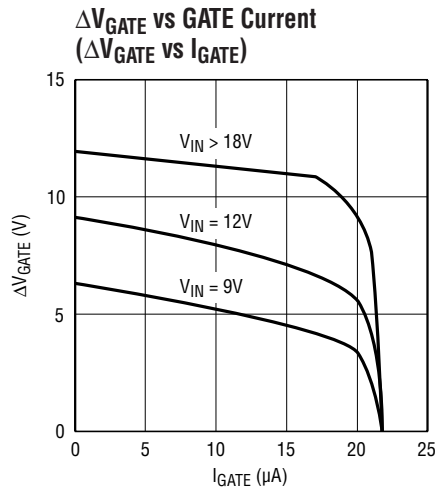
**TYPICAL PERFORMANCE CHARACTERISTICS**



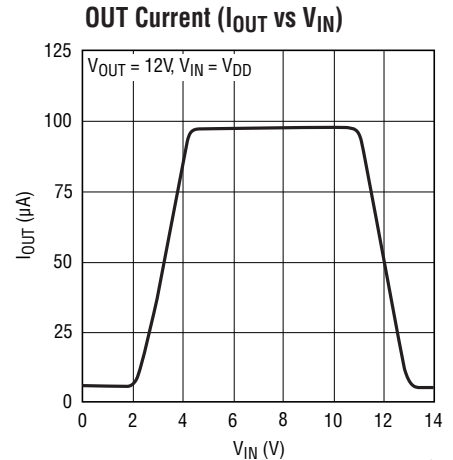
TYPICAL PERFORMANCE CHARACTERISTICS



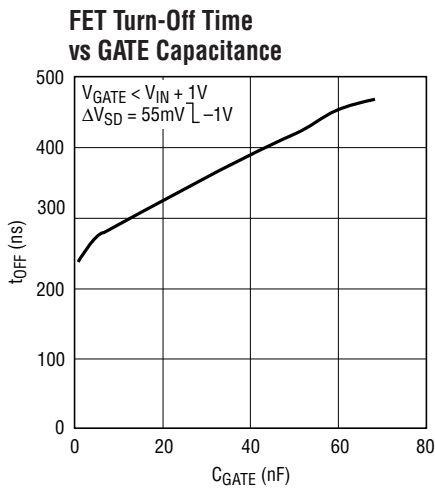
4357 G04



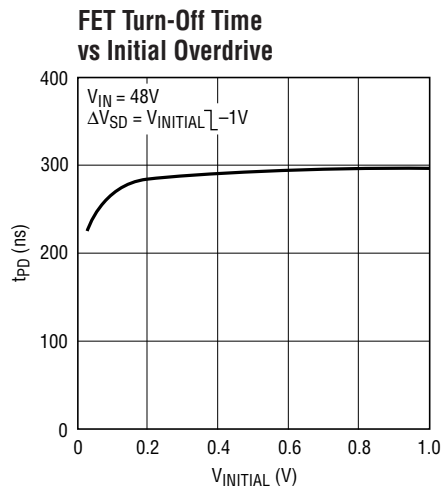
4357 G05



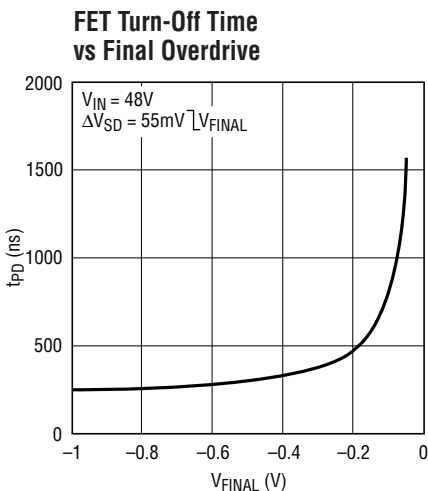
4357 G06



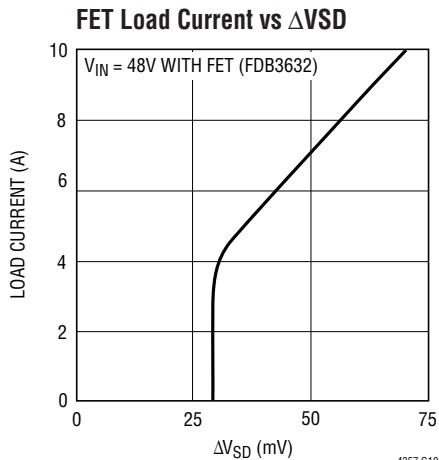
4357 G07



4357 G08



4357 G09



4357 G10

## PIN FUNCTIONS

**Exposed Pad:** Exposed pad may be left open or connected to GND.

**GATE:** Gate Drive Output. The GATE pin pulls high, enhancing the N-channel MOSFET when the load current creates more than 25mV of voltage drop across the MOSFET. When the load current is small, the gate is actively driven to maintain 25mV across the MOSFET. If reverse current develops more than  $-25\text{mV}$  of voltage drop across the MOSFET, a fast pull-down circuit quickly connects the GATE pin to the IN pin, turning off the MOSFET.

**GND:** Device Ground.

**IN:** Input Voltage and GATE Fast Pull-Down Return. IN is the anode of the ideal diode and connects to the source of the N-channel MOSFET. The voltage sensed at this pin

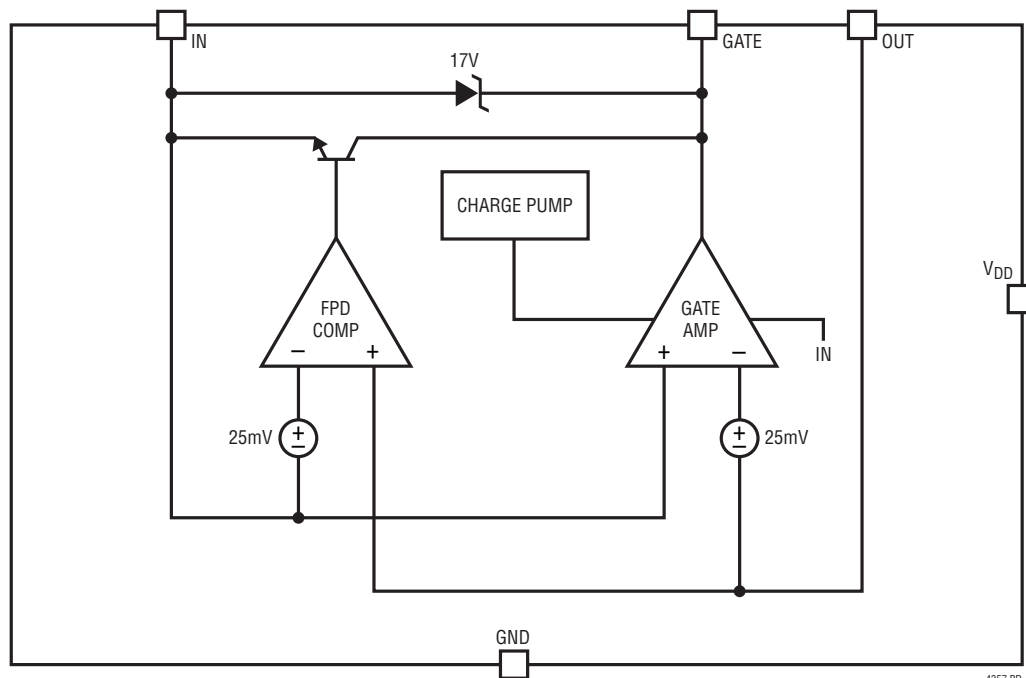
is used to control the source-drain voltage across the MOSFET. The GATE fast pull-down current is returned through the IN pin. Connect this pin as close as possible to the MOSFET source.

**NC:** No Connection. Not internally connected.

**OUT:** Drain Voltage Sense. OUT is the cathode of the ideal diode and the common output when multiple LTC4357s are configured as an ideal diode-OR. It connects to the drain of the N-channel MOSFET. The voltage sensed at this pin is used to control the source-drain voltage across the MOSFET.

**V<sub>DD</sub>:** Positive Supply Input. The LTC4357 is powered from the V<sub>DD</sub> pin. Connect this pin to OUT either directly or through an RC hold-up circuit.

## BLOCK DIAGRAM



## OPERATION

High availability systems often employ parallel-connected power supplies or battery feeds to achieve redundancy and enhance system reliability. ORing diodes have been a popular means of connecting these supplies at the point of load. The disadvantage of this approach is the forward voltage drop and resulting efficiency loss. This drop reduces the available supply voltage and dissipates significant power. Using an N-channel MOSFET to replace a Schottky diode reduces the power dissipation and eliminates the need for costly heat sinks or large thermal layouts in high power applications.

The LTC4357 controls an external N-channel MOSFET to form an ideal diode. The voltage across the source and drain is monitored by the IN and OUT pins, and the GATE pin drives the MOSFET to control its operation. In effect the MOSFET source and drain serve as the anode and cathode of an ideal diode.

At power-up, the load current initially flows through the body diode of the MOSFET. The resulting high forward

voltage is detected at the IN and OUT pins, and the LTC4357 drives the GATE pin to servo the forward drop to 25mV. If the load current causes more than 25mV of voltage drop when the MOSFET gate is driven fully on, the forward voltage is equal to  $R_{DS(ON)} \cdot I_{LOAD}$ .

If the load current is reduced causing the forward drop to fall below 25mV, the MOSFET gate is driven lower by a weak pull-down in an attempt to maintain the drop at 25mV. If the load current reverses and the voltage across IN to OUT is more negative than -25mV the LTC4357 responds by pulling the MOSFET gate low with a strong pull-down.

In the event of a power supply failure, such as if the output of a fully loaded supply is suddenly shorted to ground, reverse current temporarily flows through the MOSFET that is on. This current is sourced from any load capacitance and from the other supplies. The LTC4357 quickly responds to this condition turning off the MOSFET in about 500ns, thus minimizing the disturbance to the output bus.

---

## APPLICATIONS INFORMATION

### MOSFET Selection

The LTC4357 drives an N-channel MOSFET to conduct the load current. The important features of the MOSFET are on-resistance,  $R_{DS(ON)}$ , the maximum drain-source voltage,  $V_{DSS}$ , and the gate threshold voltage.

Gate drive is compatible with 4.5V logic-level MOSFETs in low voltage applications ( $V_{DD} = 9V$  to  $20V$ ). At higher voltages ( $V_{DD} = 20V$  to  $80V$ ) standard 10V threshold MOSFETs may be used. An internal clamp limits the gate drive to 15V between the GATE and IN pins. An external Zener clamp may be added between GATE and IN for MOSFETs with a  $V_{GS(MAX)}$  of less than 15V.

The maximum allowable drain-source voltage,  $BV_{DSS}$ , must be higher than the power supply voltage. If an input is connected to GND, the full supply voltage will appear across the MOSFET.

### ORing Two-Supply Outputs

Where LTC4357s are used to combine the outputs of two power supplies, the supply with the highest output voltage sources most or all of the load current. If this supply's output is quickly shorted to ground while delivering load current, the flow of current temporarily reverses and flows backwards through the LTC4357's MOSFET. When the reverse current produces a voltage drop across the MOSFET of more than -25mV, the LTC4357's fast pull-down activates and quickly turns off the MOSFET.

If the other, initially lower, supply was not delivering load current at the time of the fault, the output falls until the body diode of its ORing MOSFET conducts. Meanwhile, the LTC4357 charges its MOSFET gate with 20 $\mu$ A until the forward drop is reduced to 25mV. If instead this supply was delivering load current at the time of the fault, its associated ORing MOSFET was already driven at least partially on, and the LTC4357 will simply drive the MOSFET gate harder in an effort to maintain a drop of 25mV.

## APPLICATIONS INFORMATION

### Load Sharing

The application in Figure 1 combines the outputs of multiple, redundant supplies using a simple technique known as droop sharing. Load current is first taken from the highest output, with the low outputs contributing as the output voltage falls under increased loading. The 25mV regulation technique ensures smooth load sharing between outputs without oscillation. The degree of sharing is a function of  $R_{DS(ON)}$ , the output impedance of the supplies and their initial output voltages.

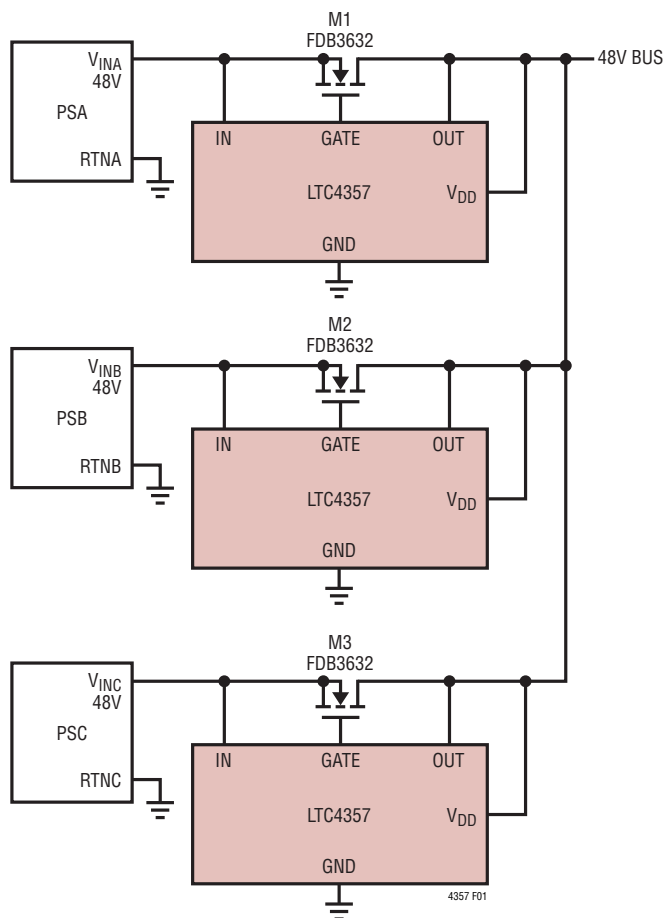


Figure 1. Droop Sharing Redundant Supplies

### Input Short-Circuit Faults

The dynamic behavior of an active, ideal diode entering reverse bias is most accurately characterized by a delay followed by a period of reverse recovery. During the delay phase some reverse current is built up, limited by parasitic resistances and inductances. During the reverse recovery phase, energy stored in the parasitic inductances is transferred to other elements in the circuit. Current slew rates during reverse recovery may reach 100A/μs or higher.

High slew rates coupled with parasitic inductances in series with the input and output paths may cause potentially destructive transients to appear at the IN and OUT pins of the LTC4357 during reverse recovery. A zero impedance short-circuit directly across the input of the circuit is especially troublesome because it permits the highest possible reverse current to build up during the delay phase. When the MOSFET finally commutates the reverse current the LTC4357 IN pin experiences a negative voltage spike, while the OUT pin spikes in the positive direction.

To prevent damage to the LTC4357 under conditions of input short-circuit, protect the IN pin and OUT pin as shown in Figure 2. The IN pin is protected by clamping to the GND pin in the negative direction. Protect the OUT pin with a clamp, such as with a TVS or TransZorb, or with a local bypass capacitor of at least 10μF. In low voltage applications the MOSFET's drain-source breakdown may be sufficient to protect the OUT pin, provided  $BV_{DSS} + V_{IN} < 100V$ .

Parasitic inductance between the load bypass and the LTC4357 allows a zero impedance input short to collapse the voltage at the  $V_{DD}$  pin, which increases the total turn-off time ( $t_{OFF}$ ). For applications up to 30V, bypass the  $V_{DD}$  pin with 39μF; above 30V use at least 100μF. If  $V_{DD}$  is powered from the output side, one capacitor serves to guard against  $V_{DD}$  collapse and also protect OUT from voltage spikes. If the OUT pin is protected by a diode clamp or if  $V_{DD}$  is powered from the input side, decouple the  $V_{DD}$  pin with a separate 100Ω, 100nF filter (see Figure 3). In applications above 10A increase the filter capacitor to 1μF.

## APPLICATIONS INFORMATION

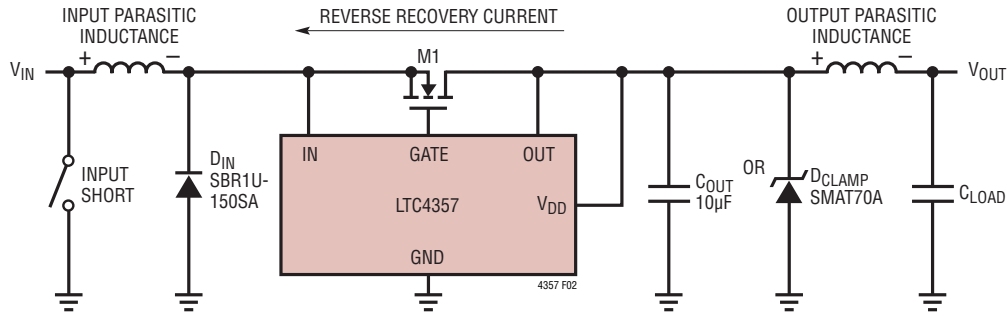


Figure 2. Reverse Recovery Produces Inductive Spikes at the IN and OUT Pin. The Polarity of Step Recovery Spikes is Shown Across Parasitic Inductances

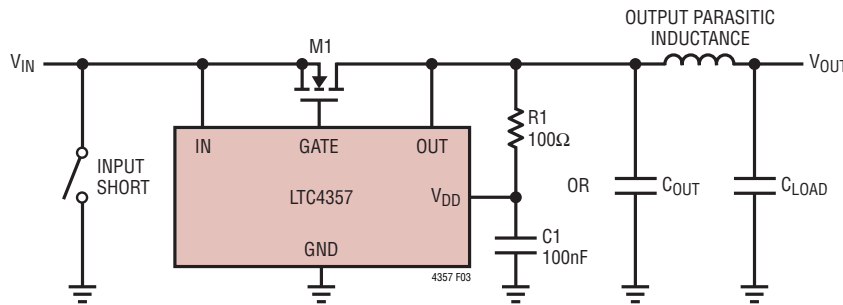


Figure 3. Protecting Against Collapse of V<sub>DD</sub> During Reverse Recovery

### Design Example

The following design example demonstrates the calculations involved for selecting components in a 12V system with 10A maximum load current (see Figure 4).

First, calculate the  $R_{DS(ON)}$  of the MOSFET to achieve the desired forward drop at full load. Assuming  $V_{DROF} = 0.1V$ ,

$$R_{DS(ON)} \leq \frac{V_{DROF}}{I_{LOAD}} = \frac{0.1V}{10A}$$

$$R_{DS(ON)} \leq 10m\Omega$$

The Si4874DY offers a good solution, in an S8 package with  $R_{DS(ON)} = 10m\Omega(max)$  and  $BV_{DSS}$  of 30V.

The maximum power dissipation in the MOSFET is:

$$P = I_{LOAD}^2 \cdot R_{DS(ON)} = (10A)^2 \cdot 10m\Omega = 1W$$

With less than 39 $\mu$ F of local bypass, the recommended RC values of 100 $\Omega$  and 0.1 $\mu$ F were used in Figure 4.

Since  $BV_{DSS} + V_{IN}$  is much less than 100V, output clamping is unnecessary.

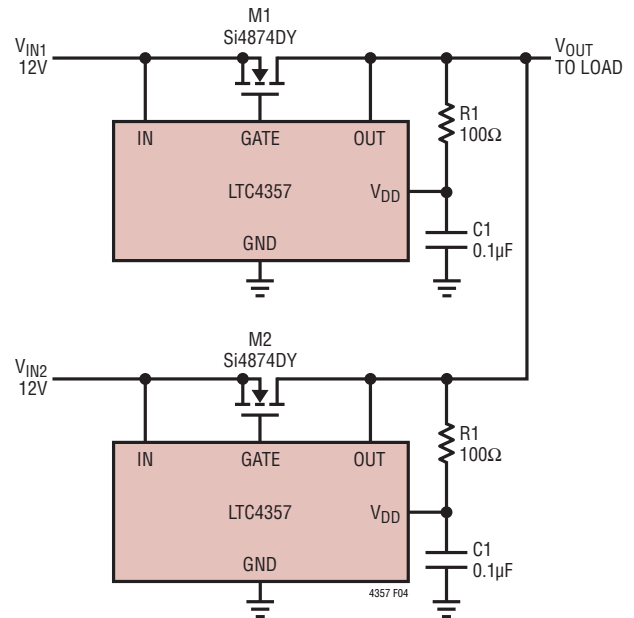


Figure 4. 12V, 10A Diode-OR

## APPLICATIONS INFORMATION

### Layout Considerations

Connect the IN and OUT pins as close as possible to the MOSFET's source and drain pins. Keep the traces to the MOSFET wide and short to minimize resistive losses. See Figure 5.

For the DFN package, pin spacing may be a concern at voltages greater than 30V. Check creepage and clearance guidelines to determine if this is an issue. To increase the pin spacing between high voltage and ground pins, leave the exposed pad connection open. Use no-clean solder to minimize PCB contamination.

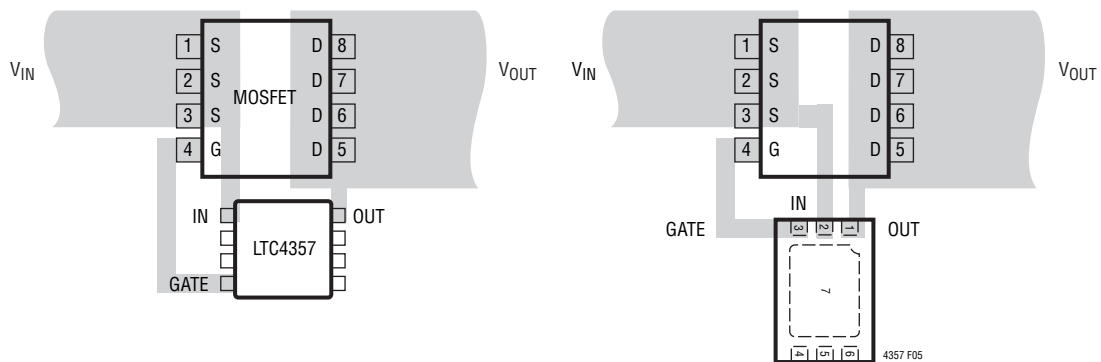
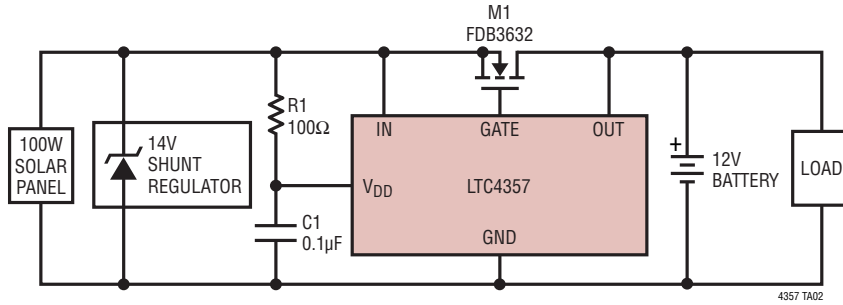


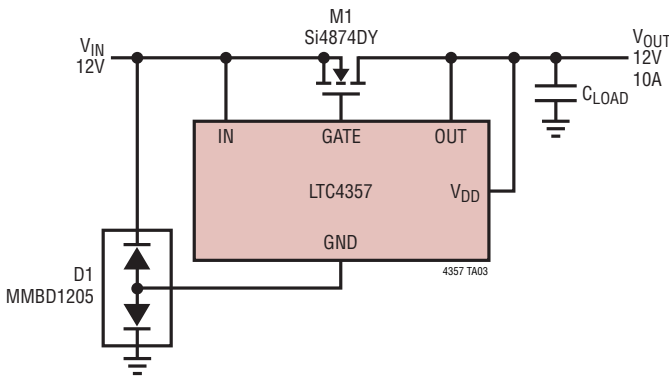
Figure 5. Layout Considerations

**TYPICAL APPLICATIONS**

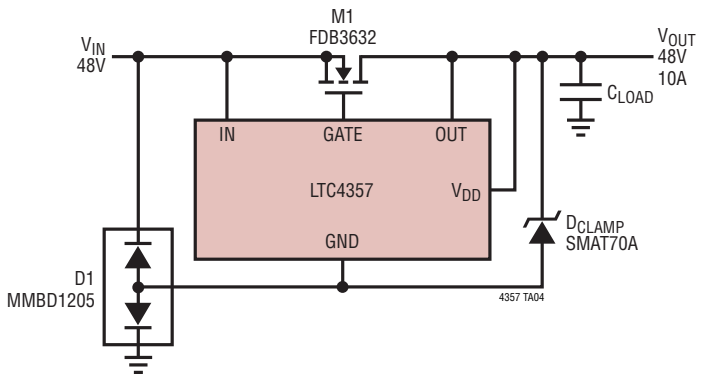
**Solar Panel Charging a Battery**



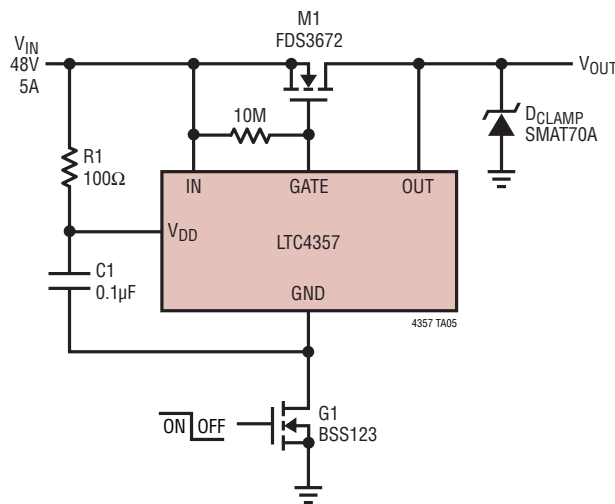
**-12V Reverse Input Protection**



**-48V Reverse Input Protection**

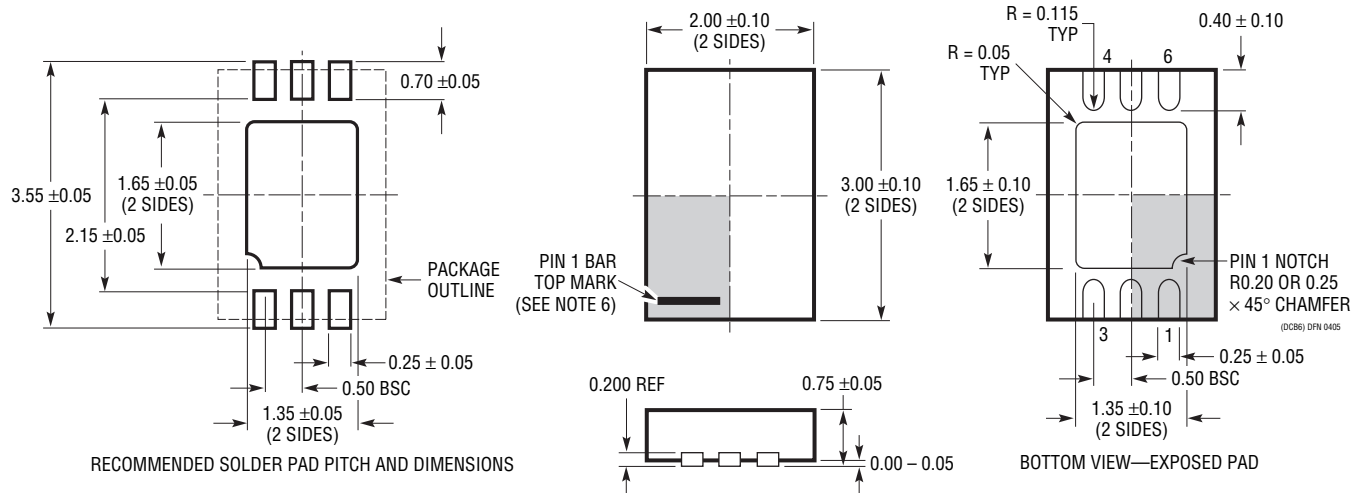


**Low Current Shutdown**



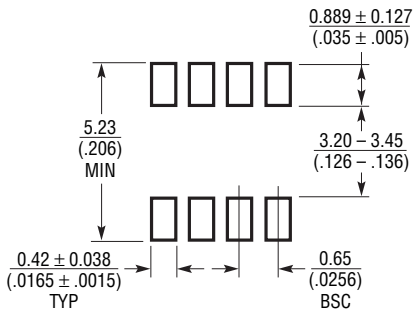
## PACKAGE DESCRIPTION

### DCB Package 6-Lead Plastic DFN (2mm × 3mm) (Reference LTC DWG # 05-08-1715 Rev A)



**PACKAGE DESCRIPTION**

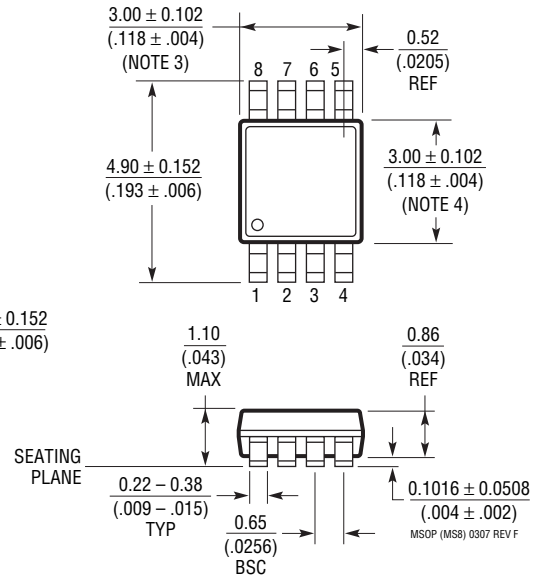
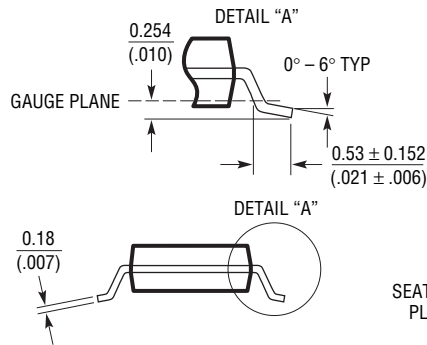
**MS8 Package**  
**8-Lead Plastic MSOP**  
 (Reference LTC DWG # 05-08-1660 Rev F)



RECOMMENDED SOLDER PAD LAYOUT

NOTE:

1. DIMENSIONS IN MILLIMETER/(INCH)
2. DRAWING NOT TO SCALE
3. DIMENSION DOES NOT INCLUDE MOLD FLASH, PROTRUSIONS OR GATE BURRS.  
 MOLD FLASH, PROTRUSIONS OR GATE BURRS SHALL NOT EXCEED 0.152mm (.006") PER SIDE
4. DIMENSION DOES NOT INCLUDE INTERLEAD FLASH OR PROTRUSIONS.  
 INTERLEAD FLASH OR PROTRUSIONS SHALL NOT EXCEED 0.152mm (.006") PER SIDE
5. LEAD COPLANARITY (BOTTOM OF LEADS AFTER FORMING) SHALL BE 0.102mm (.004") MAX

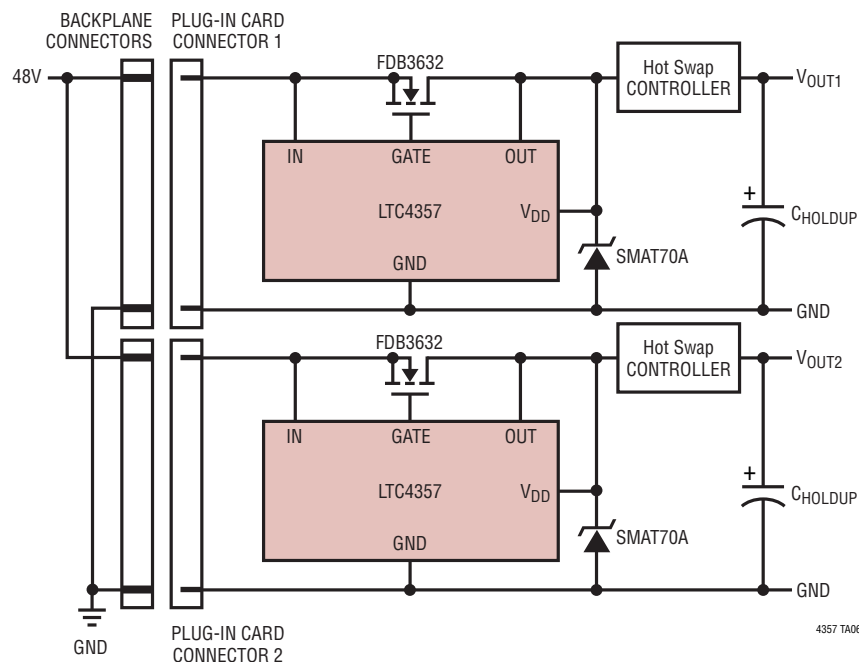


**REVISION HISTORY** (Revision history begins at Rev D)

| REV | DATE  | DESCRIPTION  | PAGE NUMBER |
|-----|-------|--|-------------|
| D   | 09/10 | Revised $\theta_{JA}$ value for MS8 package in Pin Configuration section and added MP-grade to Order Information section | 2           |
|     |       | Added two new plots and revised remaining curves in Typical Performance Characteristics section                          | 3, 4        |
|     |       | Updated Electrical Characteristics section   | 4           |
|     |       | Revised Figure 2 and Figure 4 in Applications Information section  | 8           |

## TYPICAL APPLICATION

Plug-In Card Input Diode for Supply Hold-Up



## RELATED PARTS

| PART NUMBER                                   | DESCRIPTION   | COMMENTS   |
|---|---|--|
| LT1641-1/LT1641-2                             | Positive High Voltage Hot Swap Controllers                      | Active Current Limiting, Supplies from 9V to 80V   |
| LTC1921                                       | Dual -48V Supply and Fuse Monitor                               | UV/OV Monitor, -10V to -80V Operation, MSOP Package  |
| LT4250  | -48V Hot Swap Controller  | Active Current Limiting, Supplies from -18V to -80V  |
| LTC4251/LTC4251-1/<br>LTC4251-2               | -48V Hot Swap Controllers in SOT-23                             | Fast Active Current Limiting, Supplies from -15V   |
| LTC4252-1/LTC4252-2/<br>LTC4252-1A/LTC4252-2A | -48V Hot Swap Controllers in MS8/MS10                           | Fast Active Current Limiting, Supplies from -15V, Drain Accelerated Response                               |
| LTC4253                                       | -48V Hot Swap Controller with Sequencer                         | Fast Active Current Limiting, Supplies from -15V, Drain Accelerated Response, Sequenced Power Good Outputs |
| LT4256  | Positive 48V Hot Swap Controller with Open-Circuit Detect       | Foldback Current Limiting, Open-Circuit and Overcurrent Fault Output, Up to 80V Supply                     |
| LTC4260                                       | Positive High Voltage Hot Swap Controller                       | With I <sup>2</sup> C and ADC, Supplies from 8.5V to 80V   |
| LTC4261                                       | Negative High Voltage Hot Swap Controller                       | With I <sup>2</sup> C and 10-Bit ADC, Adjustable Inrush and Overcurrent Limits                             |
| LTC4352                                       | Ideal Diode Controller with Monitor                             | Controls N-Channel MOSFET, 0V to 18V Operation   |
| LTC4354                                       | Negative Voltage Diode-OR Controller and Monitor                | Controls Two N-Channel MOSFETs, 1μs Turn-Off, 80V Operation  |
| LTC4355                                       | Positive Voltage Diode-OR Controller and Monitor                | Controls Two N-Channel MOSFETs, 0.5μs Turn-Off, 80V Operation  |
| LT4356-1/LT4356-2/<br>LT4356-3                | Surge Stopper, Overvoltage and Overcurrent Protection Regulator | Wide Operation Range: 4V to 80V, Reverse Input Protection to -60V, Adjustable Output Clamp Voltage         |

## Looking for pricing, stock, or lifecycle information?

Click below to explore more details on WIN SOURCE:

 [View LTC4357CDCB#TRPBF on WIN SOURCE](#)

 [Linear Technology](#) Information

## Optimize Your Supply Chain with WIN SOURCE Solutions

-  Global Sourcing Solution
-  Obsolete Management
-  Cost Control Management
-  Shortage Management
-  Alternative Solution
-  Excess Inventory Management