



**THE DATASHEET OF
OSTVW201000**




1	2	3	4	5
SIGN		DATE		
△		2011.04.06		
Safety approval		THIS IS CAD DATA		

Material

- Terminal housing
- Spring clamp
- Female contact

Electrical

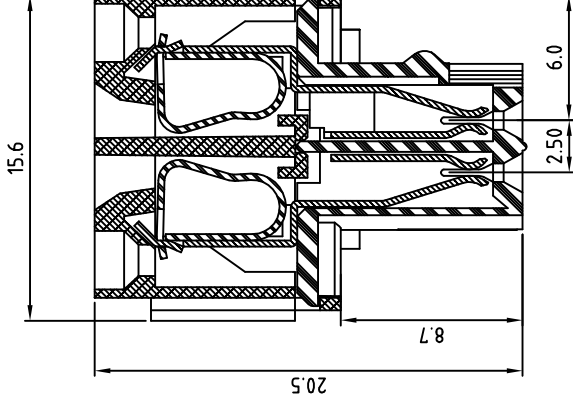
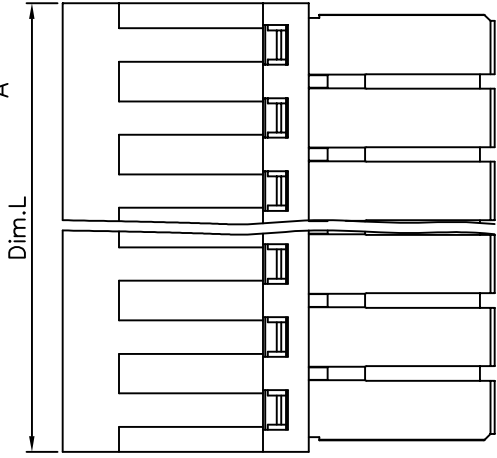
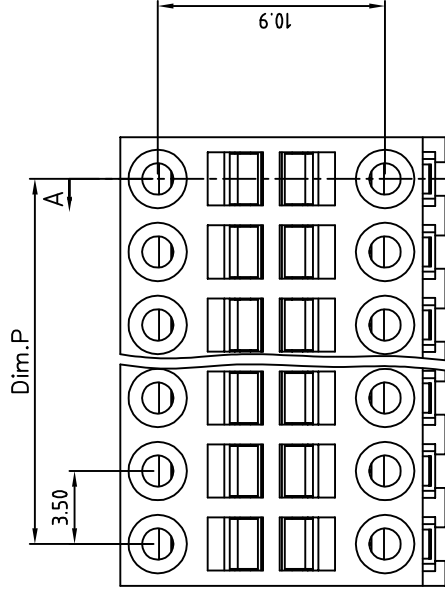
- Voltage rating:
- Current rating:
- Solid wire (AWG):
- Stranded wire (AWG):
- Wire strip length:
- Withstanding Voltage:
- Operating temperature:
- Safety Approval: 

RoHS Compliant

PART NUMBER

OSTV

04	2x2 Pole
06	3x2 Pole
...	...
48	24x2 Pole




SECTION A-A

N=Number of poles

Dim.L = $(N/2 - 1) * 3.5 + 4.0$
 Dim.P = $(N/2 - 1) * 3.5$

POLES	Dim. Tol	Dim.L	Dim.P
2x2p-2x6p		±0.15	±0.10
2x7p-2x12p		±0.25	±0.20
2x13p-2x18p		±0.30	±0.25
2x19p-2x24p		±0.40	±0.35

THESE DRAWINGS AND SPECIFICATIONS ARE THE PROPERTY OF ON-SHORE TECHNOLOGY, INC. AND SHALL NOT BE REPRODUCED, COPIED OR USED IN ANY MANNER WITHOUT THE PRIOR WRITTEN CONSENT OF ON-SHORE TECHNOLOGY, INC.

		TITLE	OSTVW 3.5mm Series W/
APPROVED	CHECKED	DESIGNED	DRAWN
PART NO. OSTVWXX1000		Kind	Kind
		2009.12.23	2009.12.2

1	2	3	4	5
---	---	---	---	---

Looking for pricing, stock, or lifecycle information?

Click below to explore more details on WIN SOURCE:

- ⊖ [View OSTVW201000](#) on WIN SOURCE
- ⊖ [On Shore Technology Inc.](#) Information

Optimize Your Supply Chain with WIN SOURCE Solutions

- ✓ Global Sourcing Solution
- ✓ Obsolete Management
- ✓ Cost Control Management
- ✓ Shortage Management
- ✓ Alternative Solution
- ✓ Excess Inventory Management