

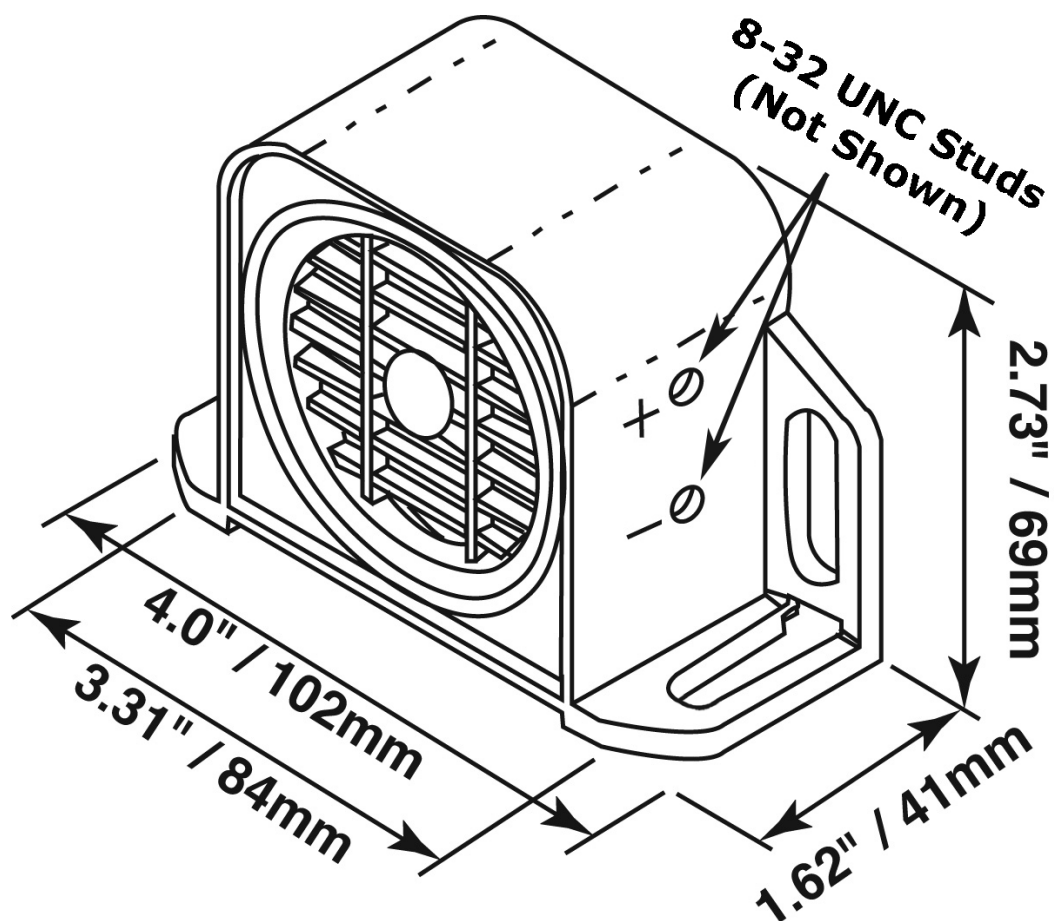


THE DATASHEET OF STA20302



Sales Outline DrawingRevision **A****Specifications:**

Voltage Rating	12 to 24 Vdc
Frequency	1250 Hz \pm 20%
Loudness (dB(A) @ 4 ft)	87 \pm 8
Current Draw (Amps Max)	0.6
Sound Pulse Rate (pps)	1 to 2
Operating Temperature	-40°C to +85°C
Termination	8-32 UNC Studs
Housing	ABS, Black UL94V-0
Spike Protected	+100 / -400 Volts
Conforms to SAEJ994 (OCT 02) Standards	
Cross Reference	
ECCO	505
PRECO	225

Dimensions: Inches (mm)

Looking for pricing, stock, or lifecycle information?

Click below to explore more details on WIN SOURCE:

- ⊖ [View STA20302 on WIN SOURCE](#)
- ⊖ [Mallory Sonalert Products Inc. Information](#)

Optimize Your Supply Chain with WIN SOURCE Solutions

- ✓ Global Sourcing Solution
- ✓ Obsolete Management
- ✓ Cost Control Management
- ✓ Shortage Management
- ✓ Alternative Solution
- ✓ Excess Inventory Management