



# THE DATASHEET OF SPC02SYAN



**PART NUMBER CODING**

**S\_C02SYAN**

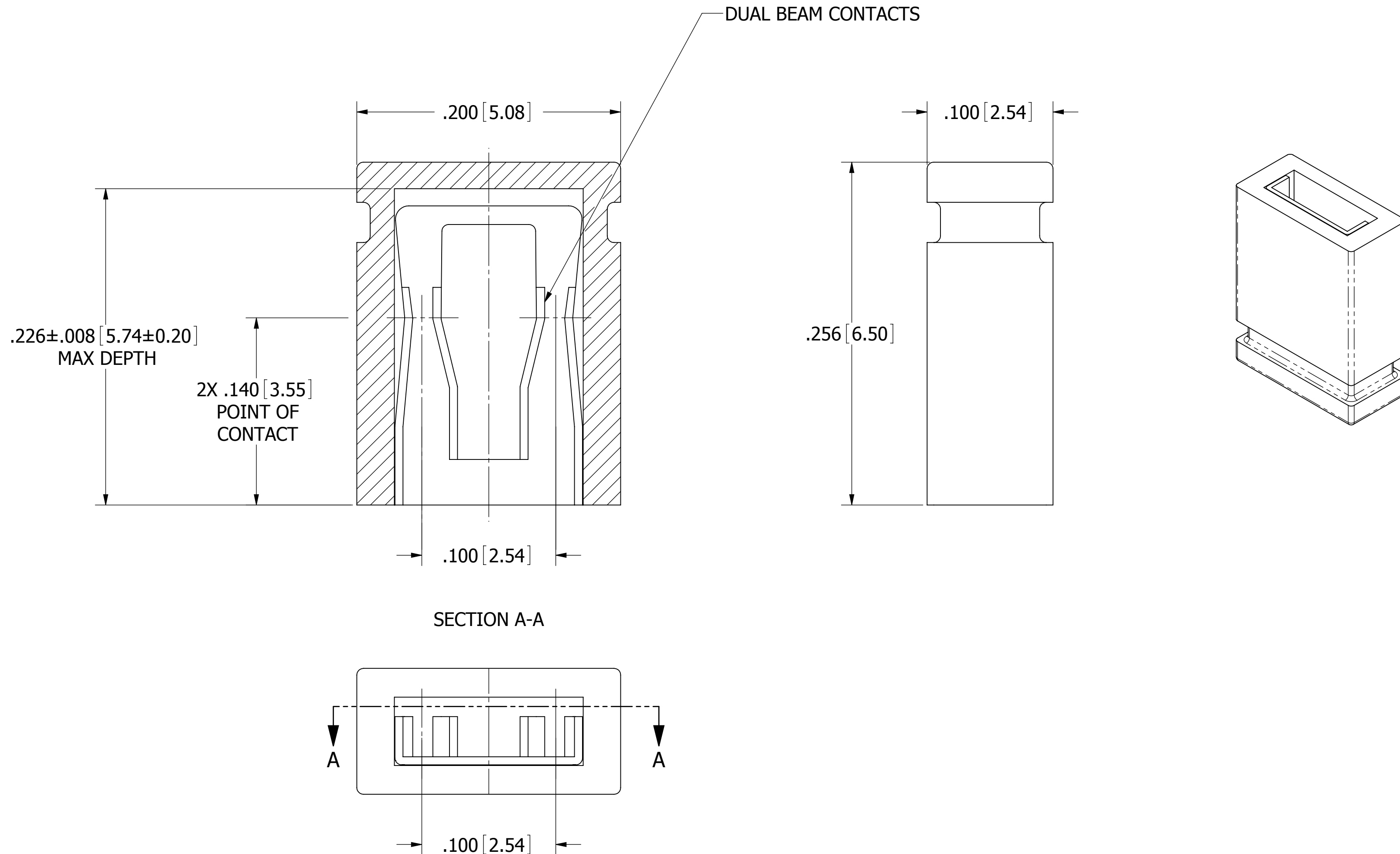
**PLATING**

**T= TIN OVER COPPER UNDERPLATE OVERALL.**

**P= GOLD FLASH OVER NICKEL UNDERPLATE OVERALL.**

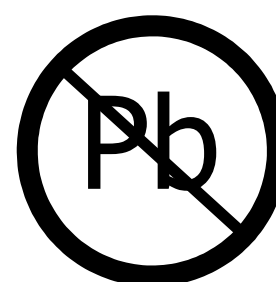
**S= 0.000010" GOLD OVER NICKEL UNDERPLATE OVERALL.**

REVISIONS				
REV.	ECO. NO	DESCRIPTION	DATE	BY
A	1764	INITIAL RELEASE	07/23/08	ASK
B	1821	UPDATE 'T' & 'P' PLATING, ADD 'S' PLATING, CURRENT RATING 3 AMP WAS 1 AMP, ADD 'DUAL BEAM CONTACTS' TEXT, .226 MAX DEPTH WAS .236, LENGTH .200 WAS .197, WIDTH .100 WAS .094 REMOVE TEXT '-RC' IN P/N CODING	11/4/2008	JH
C	1903	UPDATE TOLERANCE BLOCK, RELOCATE BTM VIEW, SPECIFICATION 20 MILLI OHMS WAS 20 MEGA OHMS	1/23/2009	JH



**NOTES:**

1. INSULATOR MATERIAL: PBT, BLACK
2. CONTACT MATERIAL: PHOSPHOR BRONZE.
3. PLATING: SEE PART NUMBER CODING.
4. OPERATING TEMPERATURE: -55°C TO +105°C.
5. OPERATING VOLTAGE: 250 VAC MAX.
6. UL FLAMMABILITY RATING: 94V-0.
7. DIELECTRIC WITHSTANDING VOLTAGE: 1000 VAC FOR 1 MINUTE.
8. CURRENT RATING: 3 AMP PER CONTACT.
9. CONTACT RESISTANCE: 20 MILLI OHMS MAX.
10. INSULATION RESISTANCE: 5000 MEGA OHMS.



**RoHS COMPLIANT**

UNLESS OTHERWISE SPECIFIED:  
 DIMENSIONS ARE IN INCHES[MM]  
 TOLERANCES:  
 ANGULAR: ± 30'  
 .XX=± .012 [.30]  
 .XXX=± .008 [.20]  
 .XXXX=± .004 [.10]  
 SURFACE FINISH: 63 R<sub>a</sub>  
 REMOVE ALL BURRS AND SHARP EDGES .010 MAX

INTERPRET DIMENSIONS AND GEOMETRIC TOLERANCING PER: ANSI Y14.5M-1994

DATE	NAME	
DRAWN 07/23/08	ASK	
THE INFORMATION HEREIN CONTAINS PROPRIETARY INFORMATION OF SULLINS ELECTRONICS AND IS NOT TO BE REPRODUCED, USED OR DISCLOSED TO OTHERS FOR ANY PURPOSE EXCEPT AS SPECIFICALLY AUTHORIZED IN WRITING BY AN OFFICER OF SULLINS ELECTRONICS.		DESCRIPTION <b>MINI SHUNT, CLOSED TOP</b>
PART NUMBER <b>S_C02SYAN</b>		SIZE DWG. NO. <b>C 11134</b>
SCALE: NTS		REV <b>C</b>
SHEET 1 OF 1		

## Looking for pricing, stock, or lifecycle information?

Click below to explore more details on WIN SOURCE:

- ⊖ [View SPC02SYAN on WIN SOURCE](#)
- ⊖ [Sullins Connector Solutions Information](#)

## Optimize Your Supply Chain with WIN SOURCE Solutions

- ✓ Global Sourcing Solution
- ✓ Obsolete Management
- ✓ Cost Control Management
- ✓ Shortage Management
- ✓ Alternative Solution
- ✓ Excess Inventory Management