



# THE DATASHEET OF PI5A100WEX



**PI5A100**

**Precision, Wide-Bandwidth Quad SPDT Analog Switch**

**Features**

- Single Supply Operation (+2V to +6V)
- Rail-to-Rail Analog Signal Dynamic Range
- Low On-Resistance (6Ω typ with 5V supply) Minimizes Distortion and Error Voltages
- On-Resistance Matching Between Channels, 0.4Ω Typ.
- On-Resistance Flatness, <2Ω Typ.
- Low Charge Injection Reduces Glitch Errors, Q = 6pC Typ.
- Replaces Mechanical Relays
- High Speed. t<sub>ON</sub>, 8ns Typ.
- Low Crosstalk: -100dB @ 10 MHz
- Low Off-Isolation: -57dB @ 10 MHz
- Wide -3dB Bandwidth: 230 MHz
- High-Current Channel Capability: >100mA
- TTL/CMOS Logic Compatible
- Low Power Consumption (0.5μW typ.)
- Packaging (Pb-free & Green Available):
  - 16-pin SOIC (W)
  - 16-pin QSOP (Q)

**Applications**

- Audio, Video Switching and Routing
- LAN Switches
- Telecommunication Systems
- Battery-Powered Systems

**Truth Table**

$\overline{EN}$	IN	ON Switch
0	0	NC <sub>1</sub> , NC <sub>2</sub> , NC <sub>3</sub> , NC <sub>4</sub>
0	1	NO <sub>1</sub> , NO <sub>2</sub> , NO <sub>3</sub> , NO <sub>4</sub>
1	X	None. Disabled

**Description**

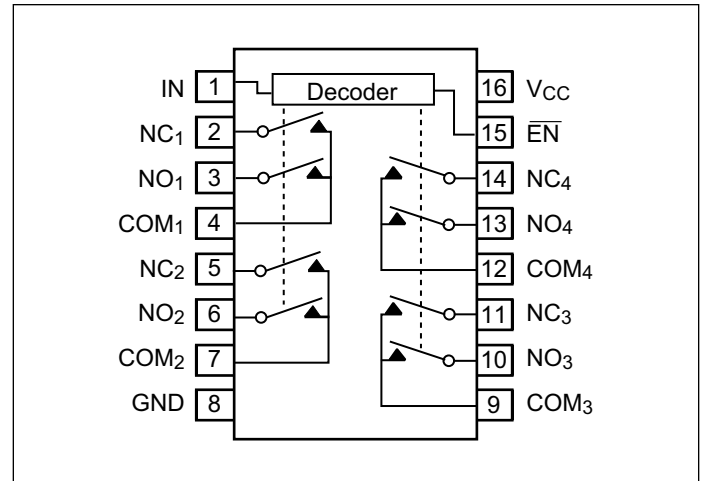
The PI5A100 is an improved Quad Single-pole double-throw (4SPDT) CMOS analog switch designed to operate with a single +2V to +6V power supply. The  $\overline{EN}$  pin may be used to place all switches in a high-impedance state. This high precision device is ideal for low-distortion audio, video, and data switching and routing.

Each switch conducts current equally well in either direction when on. In the off state each switch blocks voltages up to the power-supply rails.

The PI5A100 is fully specified with +5V, and +3.3V supplies. With +5V, it guarantees less than 10Ω On-Resistance. On-Resistance matching between channels is within 2Ω. On-Resistance flatness is less than 4Ω over the specified range. The PI5A100 guarantees fast switching speeds (t<sub>ON</sub> < 12ns).

The PI5A100 is available in the narrow-body SOIC and QSOP packages for operation over the industrial (-40°C to +85°C) temperature range.

**Block Diagram/Pin Configuration**



- Notes:**
1. Switches shown for logic "0" input.
  2. NC = Normally Closed; NO = Normally Open

**PI5A100**

**Absolute Maximum Ratings**

Voltages Referenced to Gnd	
V <sub>CC</sub> .....	-0.5V to +7V
V <sub>IN</sub> , V <sub>COM</sub> , V <sub>NC</sub> , V <sub>NO</sub> <sup>(1)</sup> .....	-0.5V to V <sub>CC</sub> +2V
.....	or 30mA, whichever occurs first
Current (any terminal except COM, NO, NC).....	30mA
Current, COM, NO, NC	
(pulsed at 1ms, 10% duty cycle).....	120mA

**Thermal Information**

Continuous Power Dissipation	
Narrow SOIC & QSOP	
(derate 8.7mW/°C above +70°C) .....	650mW
Storage Temperature .....	-65°C to +150°C
Lead Temperature (soldering, 10s) .....	+300°C

**Notes:**

1. Signals on NC, NO, COM, or IN exceeding V<sub>CC</sub> or GND are clamped by internal diodes. Limit forward diode current to 30mA.
2. Caution: Stresses beyond those listed under “Absolute Maximum Ratings” may cause permanent damage to the device. This is a stress only rating and operation of the device at these or any other conditions beyond those indicated in the operational sections of this specification is not implied.

**Electrical Specifications - Single +5V Supply** (V<sub>CC</sub> = +5V ±10%, GND = 0V, V<sub>INH</sub> = 2.4V, V<sub>INL</sub> = 0.8V)

Symbol	Parameter	Test Conditions	Temp.	Min. <sup>(1)</sup>	Typ. <sup>(2)</sup>	Max. <sup>(1)</sup>	Units
<b>Analog Switch</b>							
V <sub>ANALOG</sub>	Analog Switch Range <sup>(1)</sup>		Full	0		V <sub>CC</sub>	V
R <sub>ON</sub>	On-Resistance	V <sub>CC</sub> = 4.5V, I <sub>COM</sub> = -30mA, V <sub>NO</sub> or V <sub>NC</sub> = +2.5V	25		8	10	Ω
			Full			12	
ΔR <sub>ON</sub>	On-Resistance Match Between Channels <sup>(6)</sup>		25		0.8	2	
			Full			4	
R <sub>FLAT(ON)</sub>	On-Resistance Flatness <sup>(5)</sup>	V <sub>CC</sub> = 5V, I <sub>COM</sub> = -30mA, V <sub>NO</sub> or V <sub>NC</sub> = +2.5V	25		2	3	Ω
			Full			4	
I <sub>NO(OFF)</sub> or I <sub>NC(OFF)</sub>	NO or NC OFF Leakage <sup>(6)</sup>	V <sub>CC</sub> = 5.5V, I <sub>COM</sub> = 0V, V <sub>NO</sub> or V <sub>NC</sub> = 4.5V	25		0.07		nA
			Full	-80		80	
I <sub>COM(OFF)</sub>	COM OFF Leakage Current <sup>(6)</sup>	V <sub>CC</sub> = 5.5V, I <sub>COM</sub> = 4.5V, V <sub>NO</sub> or V <sub>NC</sub> = ± 4.5V	25		0.01		
			Full	-80		80	
I <sub>COM(ON)</sub>	COM ON Leakage Current <sup>(6)</sup>	V <sub>CC</sub> = 5.5V, I <sub>COM</sub> = 4.5V, V <sub>NO</sub> or V <sub>NC</sub> = ± 4.5V	25		0.016		nA
			Full	-80		80	

**Electrical Specifications - Single +5V Supply** ( $V_{CC} = +5V \pm 10\%$ ,  $GND = 0V$ ,  $V_{INH} = 2.4V$ ,  $V_{INL} = 0.8V$ ) CONTINUED

Symbol	Parameter	Test Conditions	Temp.	Min. <sup>(1)</sup>	Typ. <sup>(2)</sup>	Max. <sup>(1)</sup>	Units
<b>Logic Input</b>							
$V_{IH}$	Input High Voltage	Guaranteed logic High Level	Full	2			V
$V_{IL}$	Input Low Voltage	Guaranteed logic Low Level				0.8	
$I_{INH}$	Input Current with Input Voltage High	$V_{IN} = 2.4V$ , all others = 0.8V	Full	-1	0.005	1	$\mu A$
$I_{INL}$	Input Current with Input Voltage Low	$V_{IN} = 0.8V$ , all others = 2.4V		-1	0.005	1	
<b>Dynamic</b>							
$t_{ON}$	Turn-On Time	$V_{CC} = 5V$ , See Figure 1	25		8	15	ns
			Full			20	
$t_{OFF}$	Turn-Off Time		25		3.5	7	
			Full			10	
Q	Charge Injection <sup>(3)</sup>	$C_L = 1nF$ , $V_{GEN} = 0V$ , $R_{GEN} = 0\Omega$ , See Figure 2	25			10	pC
$O_{IRR}$	Off Isolations	$R_L = 50\Omega$ , $C_L = 5pF$ , $f = 10MHz$ , See Figure 3			-57		dB
$X_{TALK}$	Crosstalk <sup>(8)</sup>	$R_L = 50\Omega$ , $C_L = 5pF$ , $f = 10MHz$ , See Figure 4			-100		
$C_{(OFF)}$	NC or NO Capacitance	$f = 1kHz$ , See Figure 5			8		pF
$C_{COM(OFF)}$	COM OFF Capacitance				14		
$C_{COM(ON)}$	COM ON Capacitance	$f = 1kHz$ , See Figure 6			18		
BW	-3db Bandwidth	$R_L = 50\Omega$ See Figure 7	Full		230		MHz
D	Distortion	$R_L = 10k\Omega$			0.2		%
<b>Supply</b>							
$V_{CC}$	Power-Supply		Full	2		6	V
$I_{CC}$	Positive Supply Current	$V_{CC} = 5.5V$ , $V_{IN} = 0V$ or $V_{CC}$ , all channels on or off				1	$\mu A$

**Notes:**

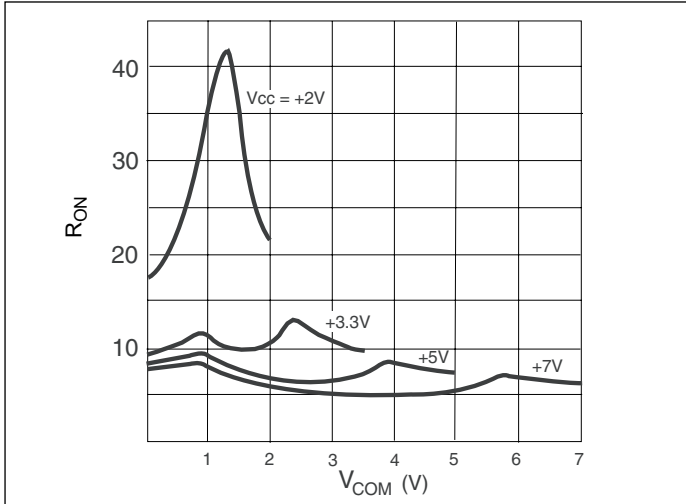
1. The algebraic convention, where the most negative value is a minimum and the most positive is a maximum, is used in this data sheet.
2. Typical values are for DESIGN AID ONLY, not guaranteed or subject to production testing.
3. Guaranteed by design
4.  $\Delta R_{ON} = R_{ON \max} - R_{ON \min}$
5. Flatness is defined as the difference between the maximum and minimum value of On-Resistance measured.
6. Leakage parameters are 100% tested at maximum rated hot temperature and guaranteed by correlation at +25°C.
7. Off Isolation =  $20 \log_{10} [ V_{COM} / (V_{NO} \text{ or } V_{NC}) ]$ . See figure 3.
8. Between any two switches. See figure 4.-

**Electrical Specifications - Single +3.3V Supply** ( $V_{CC} = +5V \pm 10\%$ ,  $GND = 0V$ ,  $V_{INH} = 2.4V$ ,  $V_{INL} = 0.8V$ )

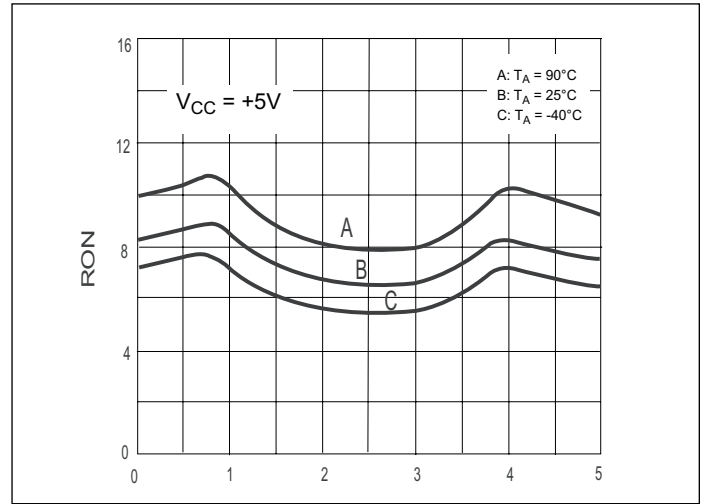
Symbol	Parameter	Test Conditions	Temp.	Min. <sup>(1)</sup>	Typ. <sup>(2)</sup>	Max. <sup>(1)</sup>	Units
<b>Analog Switch</b>							
	Analog Switch Range <sup>(1)</sup>			0		$V_{CC}$	V
$R_{ON}$	On-Resistance	$V_{CC} = 4.5V$ , $I_{COM} = -30mA$ , $V_{NO}$ or $V_{NC} = +2.5V$	25		12	18	$\Omega$
			Full				
$\Delta R_{ON}$	On-Resistance Match Between Channels <sup>(6)</sup>		25		5		
			Full				
$R_{FLAT(ON)}$	On-Resistance Flatness <sup>(5)</sup>	$V_{CC} = 5V$ , $I_{COM} = -30mA$ , $V_{NO}$ or $V_{NC} = +2.5V$	25		2	4	
			Full			5	
<b>Dynamic</b>							
$t_{ON}$	Turn-On Time	$V_{CC} = 5V$ , See Figure 1	25		14	25	ns
			Full			40	
$t_{OFF}$	Turn-Off Time		25		4.5	12	
			Full			20	
Q	Charge Injection <sup>(3)</sup>	$C_L = 1nF$ , $V_{GEN} = 0V$ , $R_{GEN} = 0\Omega$ , See Figure 2	25		5	10	pC
<b>Supply</b>							
$I_{CC}$	Positive Supply Current	$V_{CC} = 3.6V$ , $V_{IN} = 0V$ or $V_{CC}$ , all channels on or off	Full			1	$\mu A$

**Typical Operating Characteristics** ( $T_A = +25^\circ\text{C}$ , unless otherwise noted)

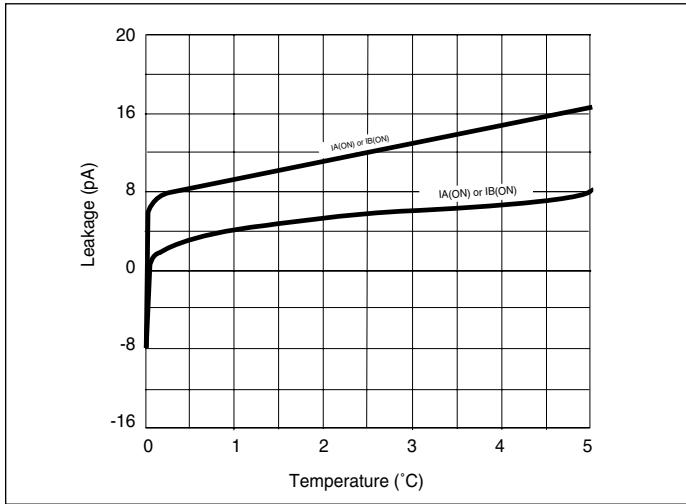
**RON vs. VCOM**



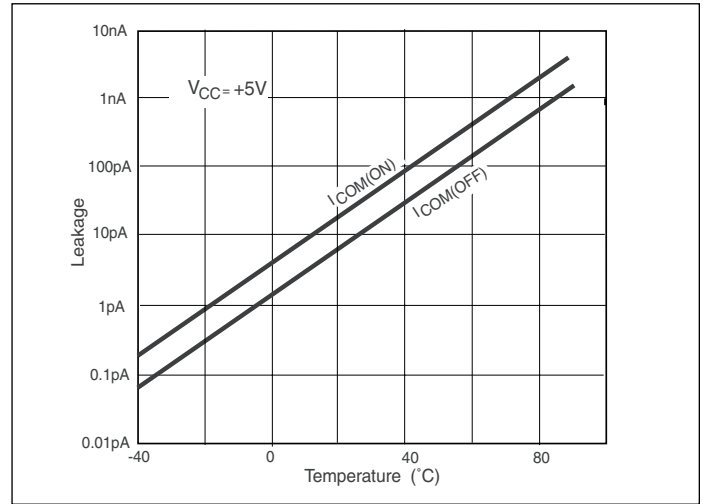
**RON vs. VCOM and Temperature**



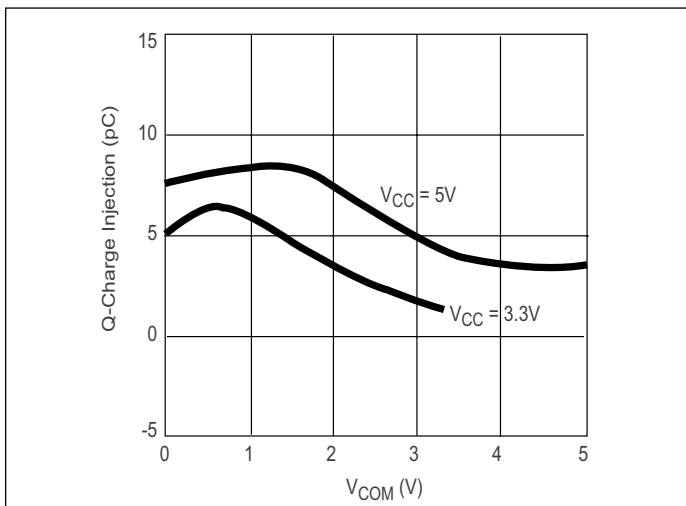
**Leakage Currents vs. Analog Voltage**



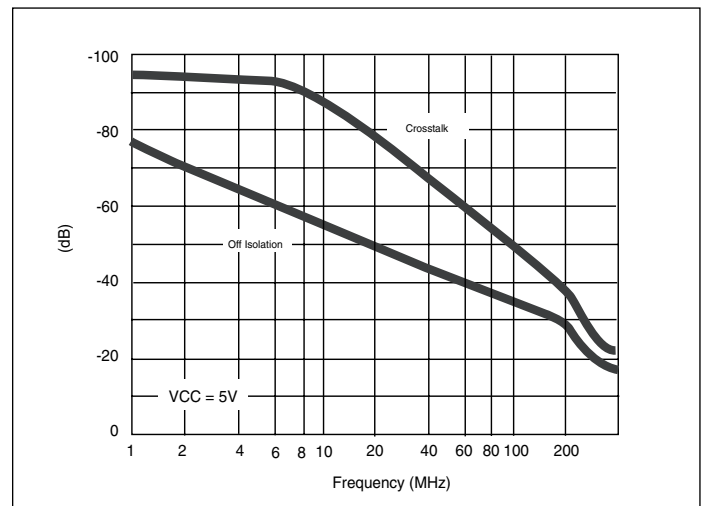
**Leakage Current vs. Temperature**



**Charge Injection vs. Analog Voltage**

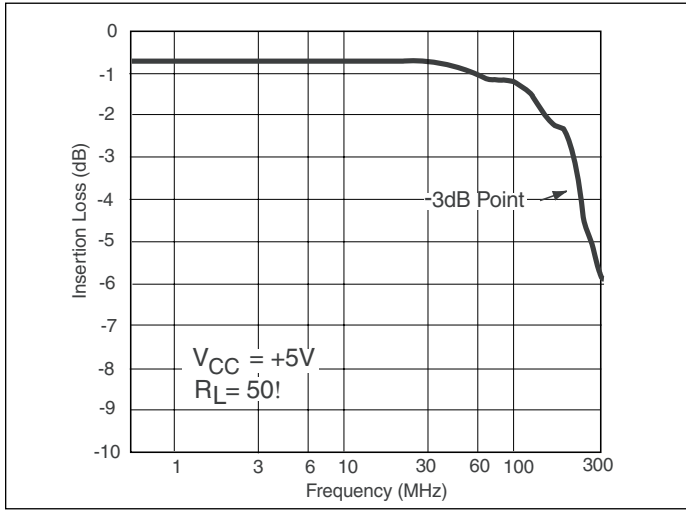


**Crosstalk and Off-Isolation vs. Frequency**

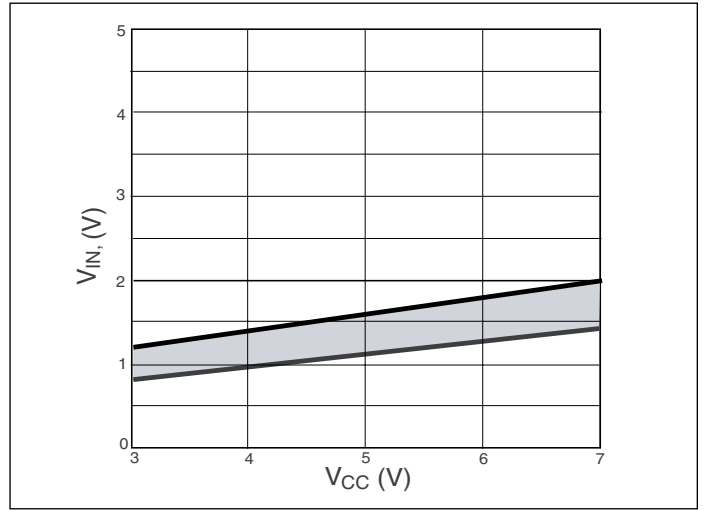


**PI5A100**

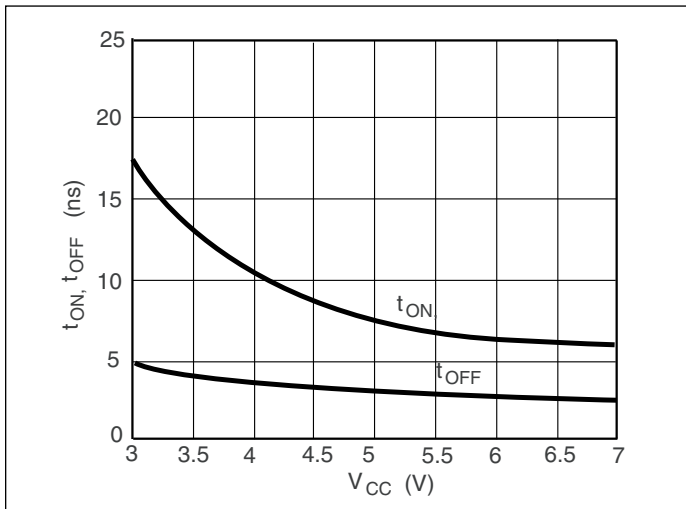
**Insertion Loss vs. Frequency**



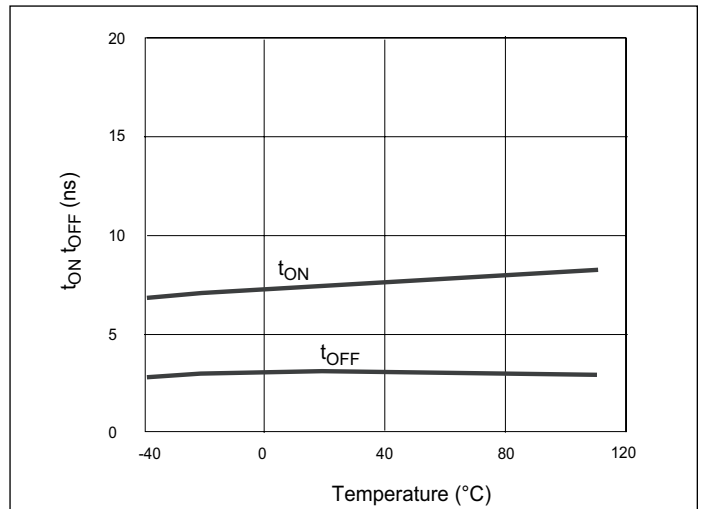
**Input Switching Threshold vs. Supply Voltage**



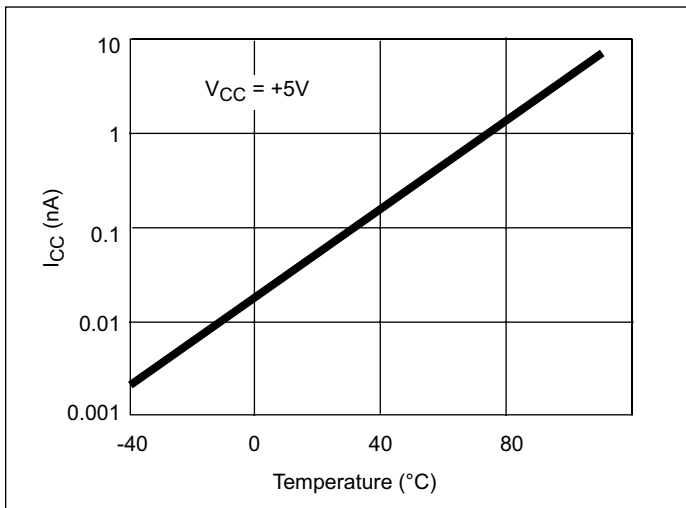
**RON vs. VCOM and Single Supply**



**Switching Times vs. Temperature**

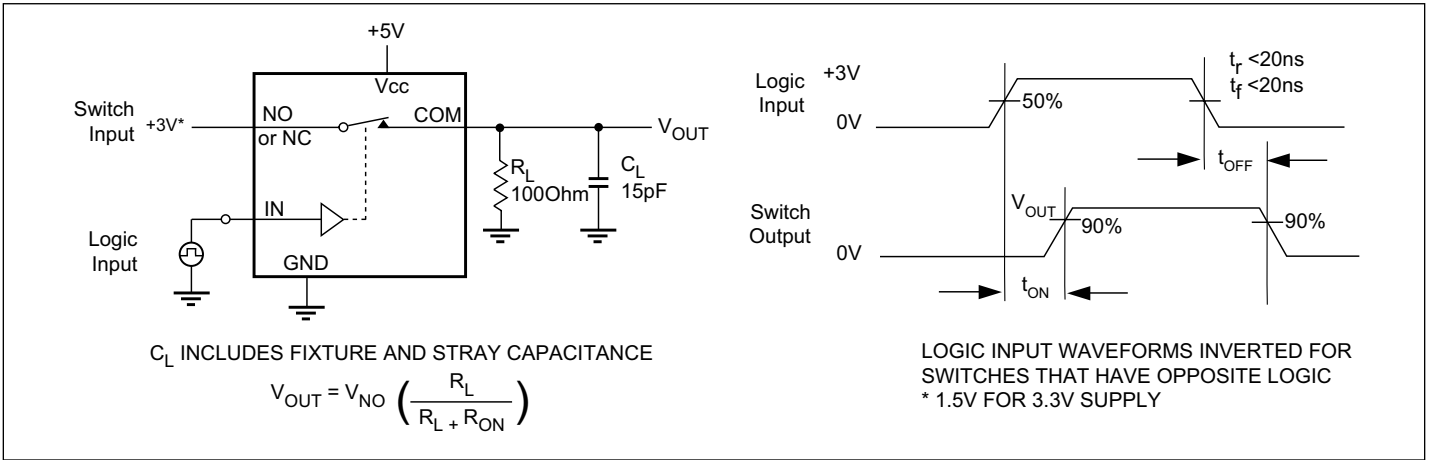


**Supply Current vs. Temperature**

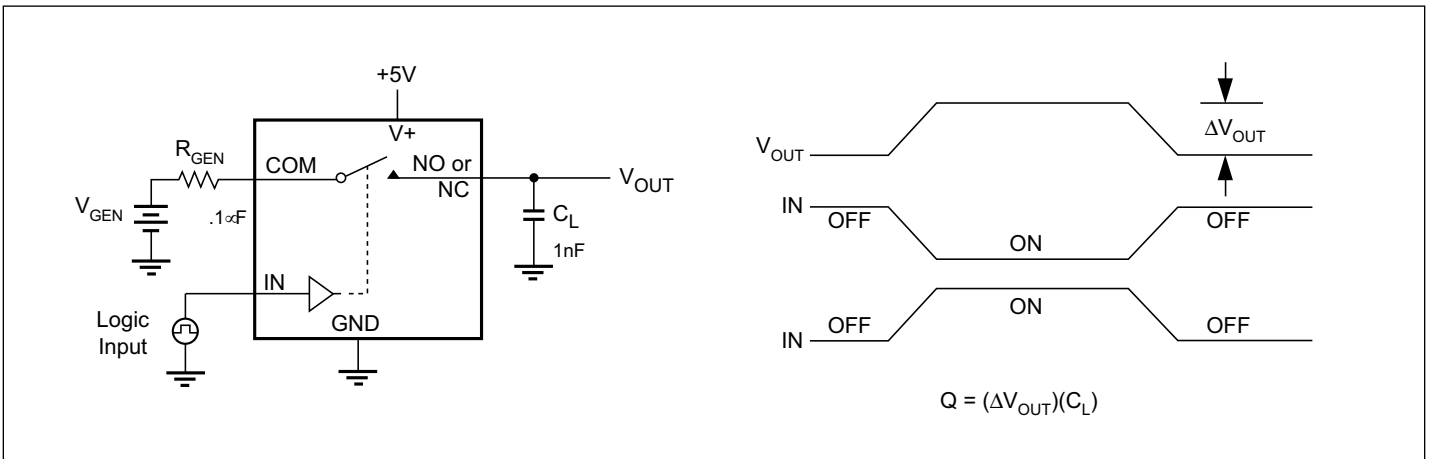


**PI5A100**

**Test Circuits/Timing Diagrams**



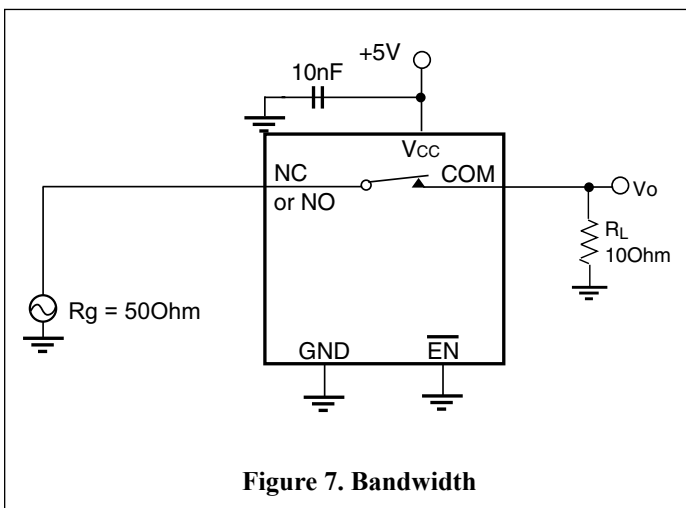
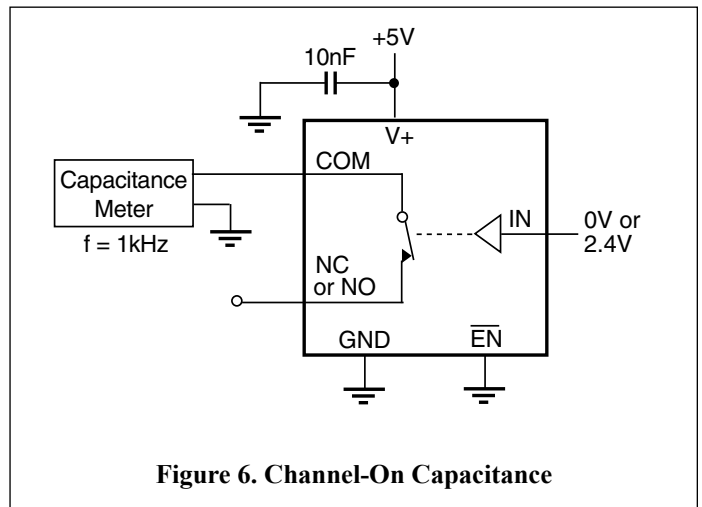
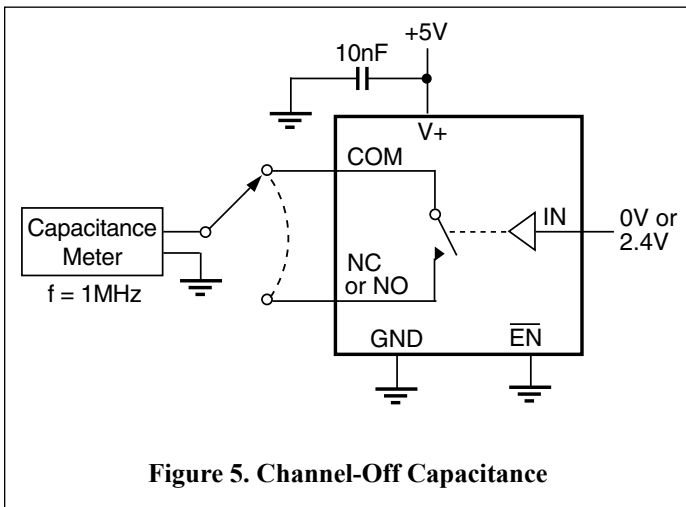
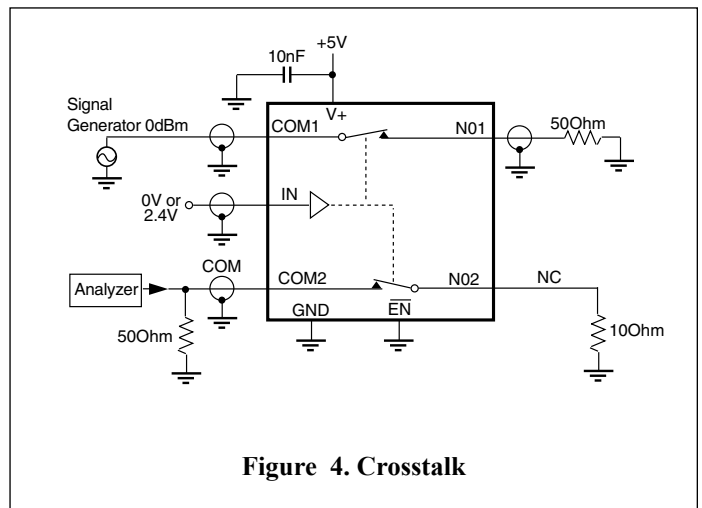
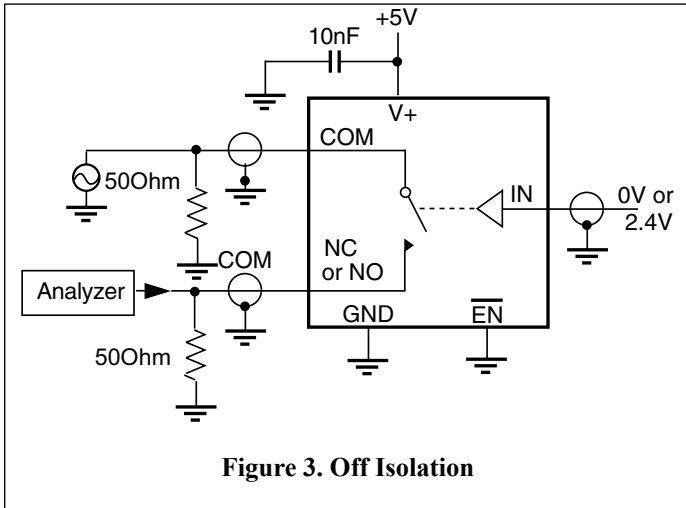
**Figure 1. Switching Time**



**Figure 2. Charge Injection**

**PI5A100**

**Test Circuits/Timing Diagrams (cont.)**



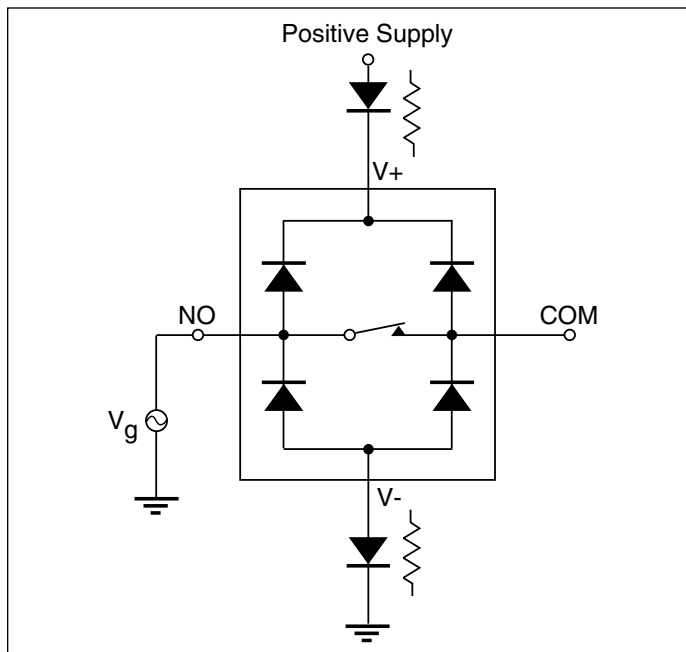
## Applications Information

### Overvoltage Protection

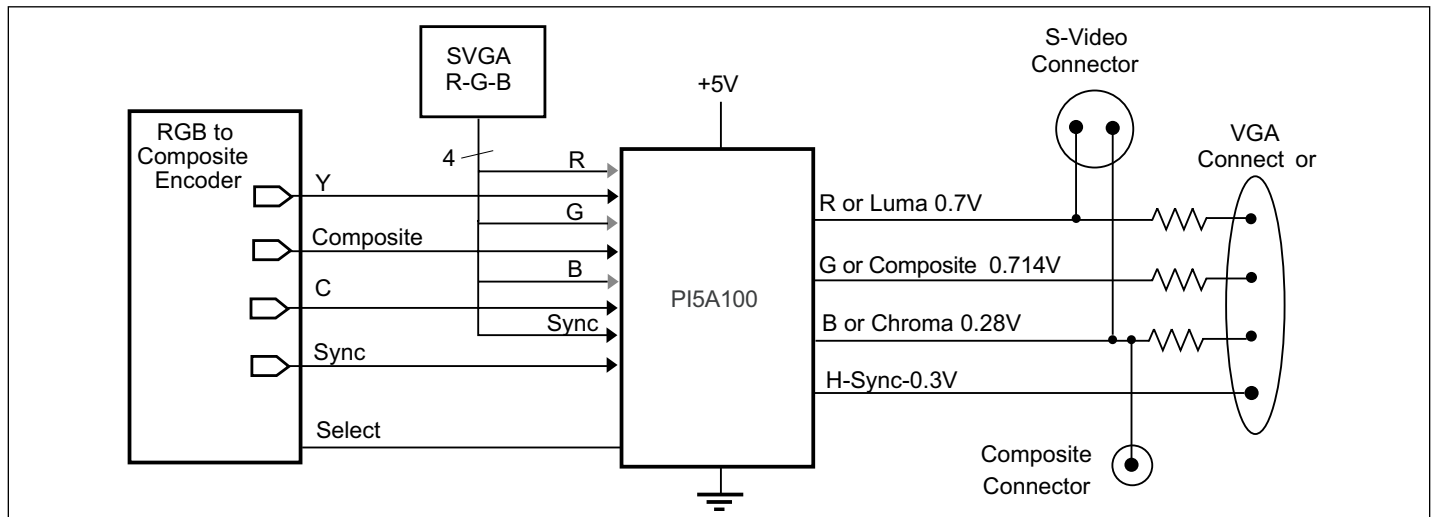
Proper power-supply sequencing is recommended for all CMOS devices. Do not exceed the absolute maximum ratings, because stresses beyond the listed ratings may cause permanent damage to the devices. Always sequence V+ on first, followed by V-, and then logic inputs. If power-supply sequencing is not possible, add two small signal diodes or two current limiting resistors in series with the supply pins for overvoltage protection (Figure 8). Adding diodes reduces the analog signal range, but low switch resistance and low leakage characteristics are unaffected.

### RGB Switch

Figure 9 illustrates a simple low cost RGB switch. The RGB -to-Composite Decoder produces either NTSC or S-VHS video from an RGB source. A single PI5A100 selects one of the two video sources to produce either SVHS, Composite or RGB video outputs. The low insertion loss of the PI5A100 eliminates the need for expensive input/output buffers.



**Figure 8:** Overvoltage protection is accomplished using two external blocking diodes or two current limiting resistors.



**Figure 9:** The single PI5A100 is used to select SVHS, VGA or Composite video outputs.

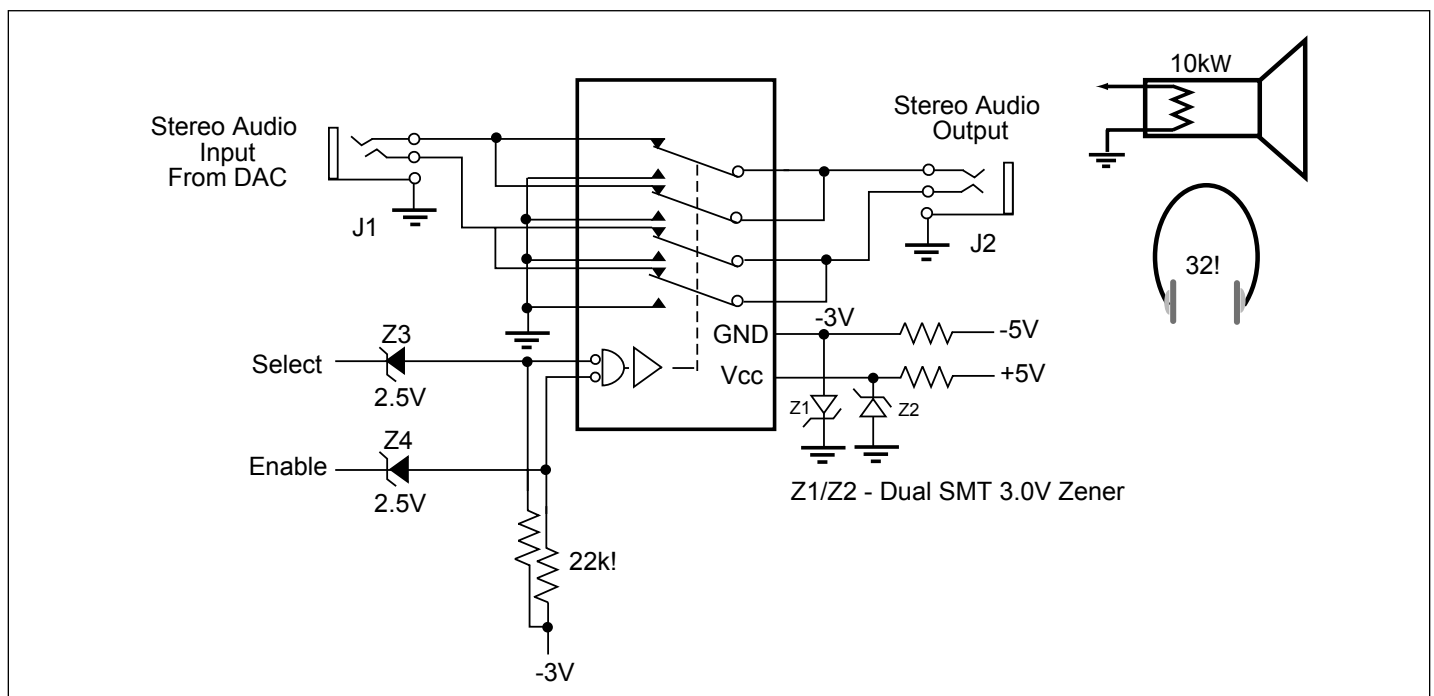
## Applications

### Audio Muting Function

Figure 8 shows the PI5A100 in an audio card muting application. The original problem was one of excessive popping/clicking noise appearing when connecting/disconnecting external loads, and at power on/off. The PI5A100 performs a muting function by grounding the outputs at power on/off and during the transition time. The 32Ω headset impedance demands a very low and very flat switch-on resistance to reduce THD and signal loss.

Paralleling two sections of the PI5A100 produces a Ron of 2.5Ω with an unsurpassed ±0.5Ω flatness.

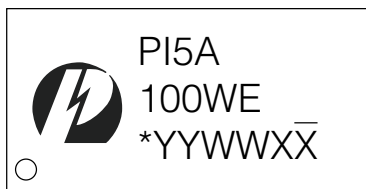
To handle AC signals it was necessary to power the device with ±3V provided by two Zener diodes: Z1 and Z2. The select and Enable control signals are shifted by using two 2.5V Zener diodes Z3,Z4 and pull down resistors connected to -3V.



**Figure 10:** The PI5A100 momentarily mutes the stereo outputs by connecting them to ground during transition times.

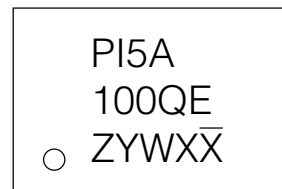
## Part Marking

### W Package



\*: Die Rev  
YY: Year  
WW: Workweek  
1st X: Assembly Site Code  
2nd X: Fab Site Code  
Bar above fab code means Cu wire

### Q Package



Z: Die Rev  
YW: Year & Workweek  
1st X: Assembly Code  
2nd X: Fab Code

**PI5A100**

**Packaging Mechanical: 16-SOIC (W)**

SYMBOLS	MIN.	NOM.	MAX.
A	—	—	1.75
A1	0.10	—	0.25
A2	1.00	—	—
b	0.31	—	0.51
c	0.10	—	0.25
D	9.80	9.90	10.0
E	5.80	6.00	6.20
E1	3.80	3.90	4.00
e	1.27 BSC		
L	0.40	—	1.27
h	0.15	—	0.50
$\theta^\circ$	0	—	8

**NOTES:**  
 1. ALL DIMENSIONS IN MILLIMETERS. ANGLES IN DEGREES.  
 2. JEDEC OUTLINE : MS-012 AC  
 3. DIMENSIONS DOES NOT INCLUDE MOLD FLASH, PROTRUSIONS OR GATE BURRS.  
 4. THE MIN. DIMENSION OF A2 AND h ARE OUT OF JEDEC SPEC.

**DIODES** **PERICOM** A PRODUCT LINE OF DIODES INCORPORATED  
 INCORPORATED ENABLING SERIAL CONNECTIVITY

**DATE: 06/30/16**

**DESCRIPTION: 16-Pin, 150mil Wide SOIC**

**PACKAGE CODE: W**

**DOCUMENT CONTROL #: PD-1004** **REVISION: G**

16-0145

**PI5A100**

**Packaging Mechanical: 16-QSOP (Q)**

SYMBOLS	MIN.	NOM.	MAX.
A	—	—	0.069
A1	0.004	—	0.0098
A2	0.049	—	—
b	0.008	—	0.012
c	0.004	—	0.010
D	0.189	0.193	0.197
E1	0.150	0.154	0.158
E	0.228	0.236	0.244
L	0.016	—	0.050
L1	0.041 REF.		
e	0.025 BSC.		
$\theta^\circ$	0	—	8

UNIT : INCH

NOTES:  
 1. ALL DIMENSIONS IN INCH. ANGLES IN DEGREES.  
 2. JEDEC MO-137E  
 3. DIMENSIONS DOES NOT INCLUDE MOLD FLASH, PROTRUSIONS OR GATE BURRS.

		DATE: 04/08/16
DESCRIPTION: 16-Pin, 150mil Wide QSOP		
PACKAGE CODE: Q (Q16)		
DOCUMENT CONTROL #: PD-1201	REVISION: H	

16-0056

For latest package info.

please check: <http://www.diodes.com/design/support/packaging/pericom-packaging/packaging-mechanicals-and-thermal-characteristics/>

**Ordering Information**

Ordering Code	Package Code	Package Description
PI5A100WEX	W	16-pin, 150mil Wide (SOIC)
PI5A100QEX	Q	16-pin, 150mil Wide (QSOP)

Notes:

- Thermal characteristics can be found on the company web site at [www.diodes.com/design/support/packaging/](http://www.diodes.com/design/support/packaging/)
- E = Pb-free and Green
- X suffix = Tape/Reel

#### IMPORTANT NOTICE

DIODES INCORPORATED MAKES NO WARRANTY OF ANY KIND, EXPRESS OR IMPLIED, WITH REGARDS TO THIS DOCUMENT, INCLUDING, BUT NOT LIMITED TO, THE IMPLIED WARRANTIES OF MERCHANTABILITY AND FITNESS FOR A PARTICULAR PURPOSE (AND THEIR EQUIVALENTS UNDER THE LAWS OF ANY JURISDICTION).

Diodes Incorporated and its subsidiaries reserve the right to make modifications, enhancements, improvements, corrections or other changes without further notice to this document and any product described herein. Diodes Incorporated does not assume any liability arising out of the application or use of this document or any product described herein; neither does Diodes Incorporated convey any license under its patent or trademark rights, nor the rights of others. Any Customer or user of this document or products described herein in such applications shall assume all risks of such use and will agree to hold Diodes Incorporated and all the companies whose products are represented on Diodes Incorporated website, harmless against all damages.

Diodes Incorporated does not warrant or accept any liability whatsoever in respect of any products purchased through unauthorized sales channel.

Should Customers purchase or use Diodes Incorporated products for any unintended or unauthorized application, Customers shall indemnify and hold Diodes Incorporated and its representatives harmless against all claims, damages, expenses, and attorney fees arising out of, directly or indirectly, any claim of personal injury or death associated with such unintended or unauthorized application.

Products described herein may be covered by one or more United States, international or foreign patents pending. Product names and markings noted herein may also be covered by one or more United States, international or foreign trademarks.

This document is written in English but may be translated into multiple languages for reference. Only the English version of this document is the final and definitive format released by Diodes Incorporated.

#### LIFE SUPPORT

Diodes Incorporated products are specifically not authorized for use as critical components in life support devices or systems without the express written approval of the Chief Executive Officer of Diodes Incorporated. As used herein:

A. Life support devices or systems are devices or systems which:

1. are intended to implant into the body, or
2. support or sustain life and whose failure to perform when properly used in accordance with instructions for use provided in the labeling can be reasonably expected to result in significant injury to the user.

B. A critical component is any component in a life support device or system whose failure to perform can be reasonably expected to cause the failure of the life support device or to affect its safety or effectiveness.

Customers represent that they have all necessary expertise in the safety and regulatory ramifications of their life support devices or systems, and acknowledge and agree that they are solely responsible for all legal, regulatory and safety-related requirements concerning their products and any use of Diodes Incorporated products in such safety-critical, life support devices or systems, notwithstanding any devices- or systems-related information or support that may be provided by Diodes Incorporated. Further, Customers must fully indemnify Diodes Incorporated and its representatives against any damages arising out of the use of Diodes Incorporated products in such safety-critical, life support devices or systems.

Copyright © 2016, Diodes Incorporated  
[www.diodes.com](http://www.diodes.com)

## Looking for pricing, stock, or lifecycle information?

Click below to explore more details on WIN SOURCE:

-  [View PI5A100WEX on WIN SOURCE](#)
-  [Diodes Incorporated Information](#)

## Optimize Your Supply Chain with WIN SOURCE Solutions

-  Global Sourcing Solution
-  Obsolete Management
-  Cost Control Management
-  Shortage Management
-  Alternative Solution
-  Excess Inventory Management