



# THE DATASHEET OF TDA1904

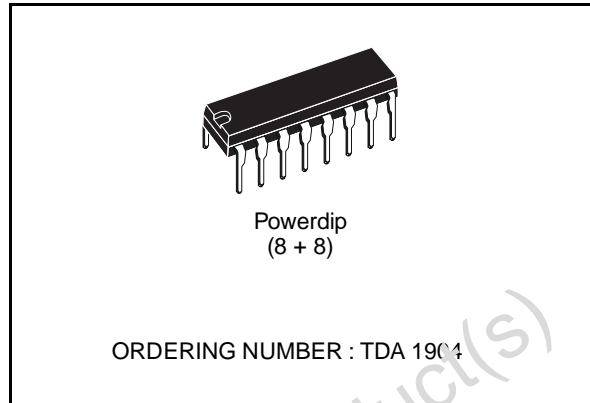


## 4W AUDIO AMPLIFIER

- HIGH OUTPUT CURRENT CAPABILITY
- PROTECTION AGAINST CHIP OVERTEMPERATURE
- LOW NOISE
- HIGH SUPPLY VOLTAGE REJECTION
- SUPPLY VOLTAGE RANGE: 4V TO 20V

### DESCRIPTION

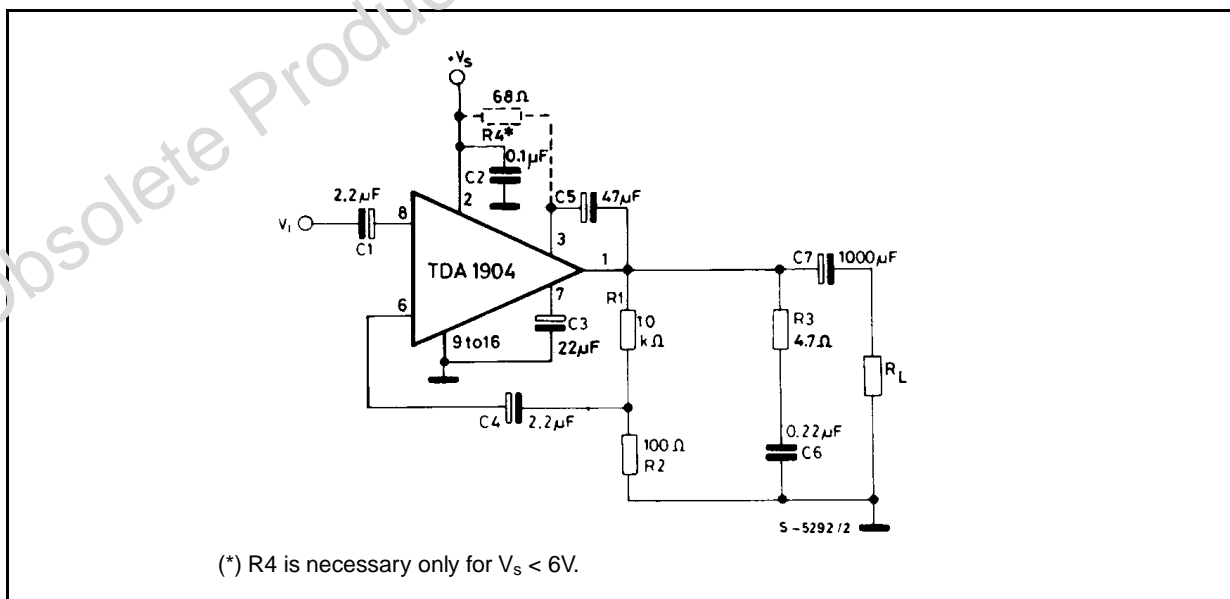
The TDA 1904 is a monolithic integrated circuit in POWERDIP package intended for use as low-frequency power amplifier in wide range of applications in portable radio and TV sets.



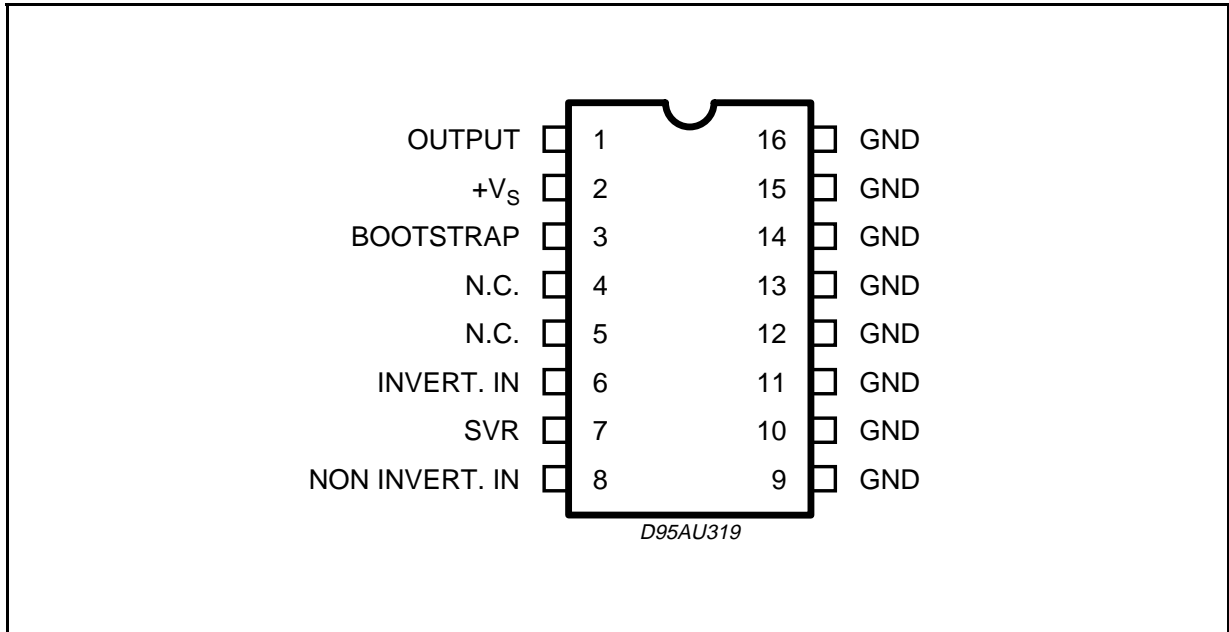
### ABSOLUTE MAXIMUM RATINGS

Symbol	Parameter	Value	Unit
$V_s$	Supply voltage	20	V
$I_o$	Peak output current (non repetitive)	2.5	A
$I_o$	Peak output current (repetitive)	2	A
$P_{tot}$	Total power dissipation at $T_{amb} = 80^\circ\text{C}$	1	W
	at $T_{pins} = 60^\circ\text{C}$	6	W
$T_{stg}, T_j$	Storage and junction temperature	-40 to 150	$^\circ\text{C}$

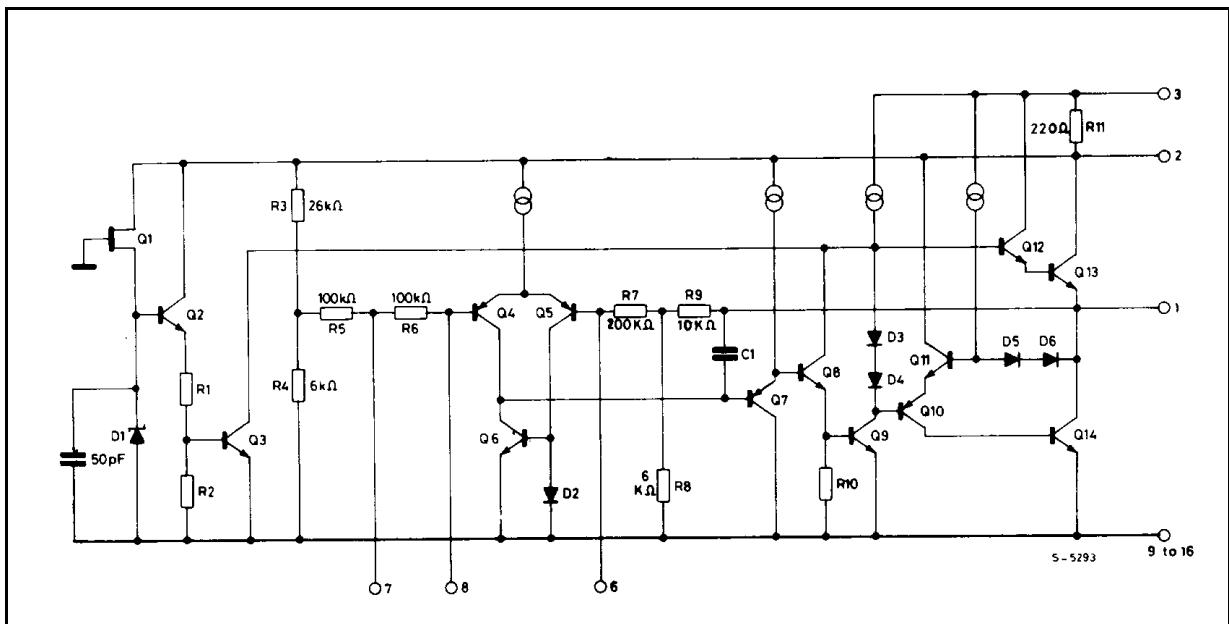
### TEST AND APPLICATION CIRCUIT



PIN CONNECTION



SCHEMATIC DIAGRAM



THERMAL DATA

Symbol	Parameter	Value	Unit
R <sub>thj-case</sub>	Thermal resistance junction-pins	max 15	°C/W
R <sub>thj-amb</sub>	Thermal resistance junction-ambient	max 70	°C/W

**ELECTRICAL CHARACTERISTICS** (Refer to the test circuit,  $T_{amb} = 25\text{ }^{\circ}\text{C}$ ,  $R_{th}$  (heatsink) =  $20\text{ }^{\circ}\text{C/W}$ , unless otherwise specified)

Symbol	Parameter	Test conditions	Min.	Typ.	Max.	Unit
$V_s$	Supply voltage		4		20	V
$V_o$	Quiescent output voltage	$V_s = 4V$ $V_s = 14V$		2.1 7.2		V
$I_d$	Quiescent drain current	$V_s = 9V$ $V_s = 14V$		8 10	15 18	mA
$P_o$	Output power	$d = 10\%$ $f = 1\text{ KHz}$ $V_s = 9V$ $R_L = 4\Omega$ $V_s = 14V$ $V_s = 12V$ $V_s = 6V$	1.8 4 3.1 0.7	2 4.5		W
$d$	Harmonic distortion	$f = 1\text{ KHz}$ $V_s = 9V$ $R_L = 4\Omega$ $P_o = 50\text{ mW to }1.2W$		0.1	0.3	%
$V_i$	Input saturation voltage (rms)	$V_s = 9V$ $V_s = 14V$	0.8 1.3			V
$R_i$	Input resistance (pin 8)	$f = 1\text{ KHz}$	55	150		$K\Omega$
$h$	Efficiency	$f = 1\text{ KHz}$ $V_s = 9V$ $R_L = 4\Omega$ $P_o = 2W$ $V_s = 14V$ $R_L = 4\Omega$ $P_o = 4.5W$		70 65		%
BW	Small signal bandwidth (-3 dB)	$V_s = 14V$ $R_L = 4\Omega$	40 to 40,000			Hz
$G_v$	Voltage gain (open loop)	$V_s = 14V$ $f = 1\text{ KHz}$		75		dB
$G_v$	Voltage gain (closed loop)	$V_s = 14V$ $R_L = 4\Omega$ $f = 1\text{ KHz}$ $P_o = 1W$	39.5	40	40.5	dB
$e_N$	Total input noise	$R_g = 50\Omega$ $(^{\circ})$ $R_g = 10\text{ K}\Omega$		1.2 2	4	$\mu V$
		$R_g = 50\Omega$ $(^{\circ\circ})$ $R_g = 10\text{ K}\Omega$		2 3		$\mu V$
SVR	Supply voltage rejection	$V_s = 12V$ $f_{ripple} = 100\text{ Hz}$ $R_g = 10\text{ K}\Omega$ $V_{ripple} = 0.5\text{ V}_{rms}$	40	50		dB
$T_{sd}$	Thermal shut-down case temperature	$P_{tot} = 2W$		120		$^{\circ}\text{C}$

Note:  $(^{\circ})$  Weighting filter = curve A.

$(^{\circ\circ})$  Filter with noise bandwidth: 22Hz to 22 KHz.

Figure 1. Test and application circuit

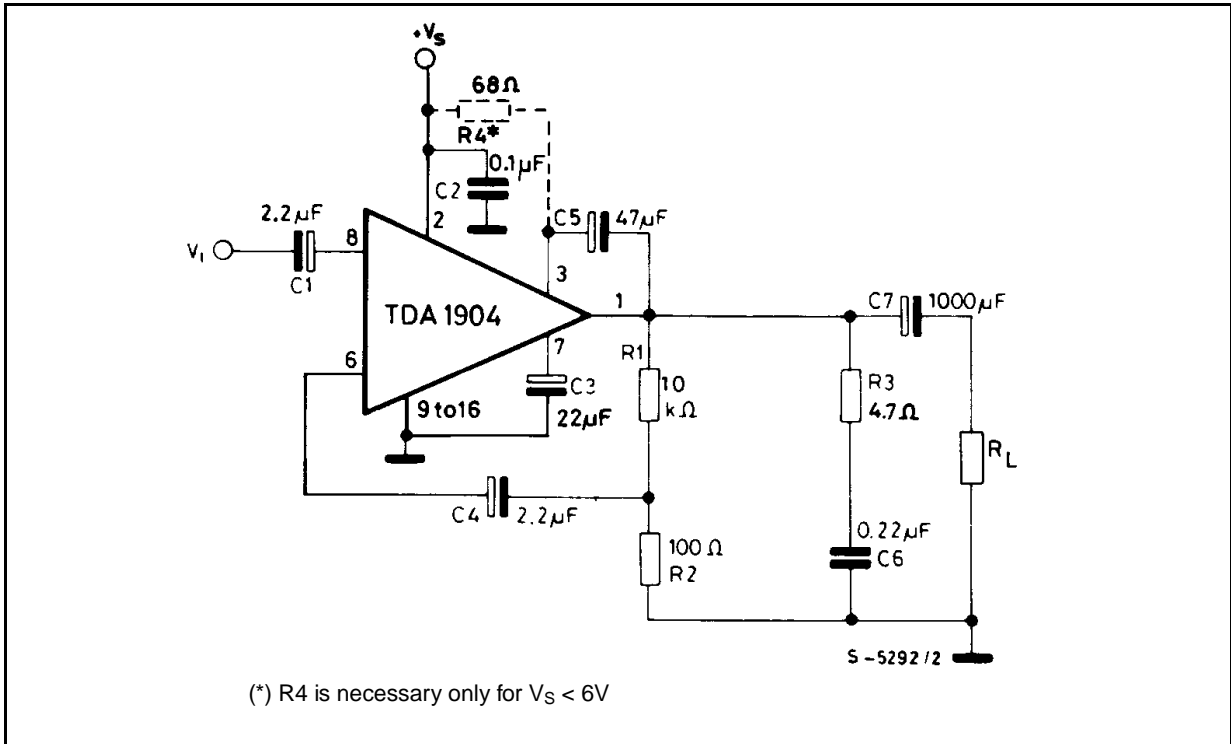
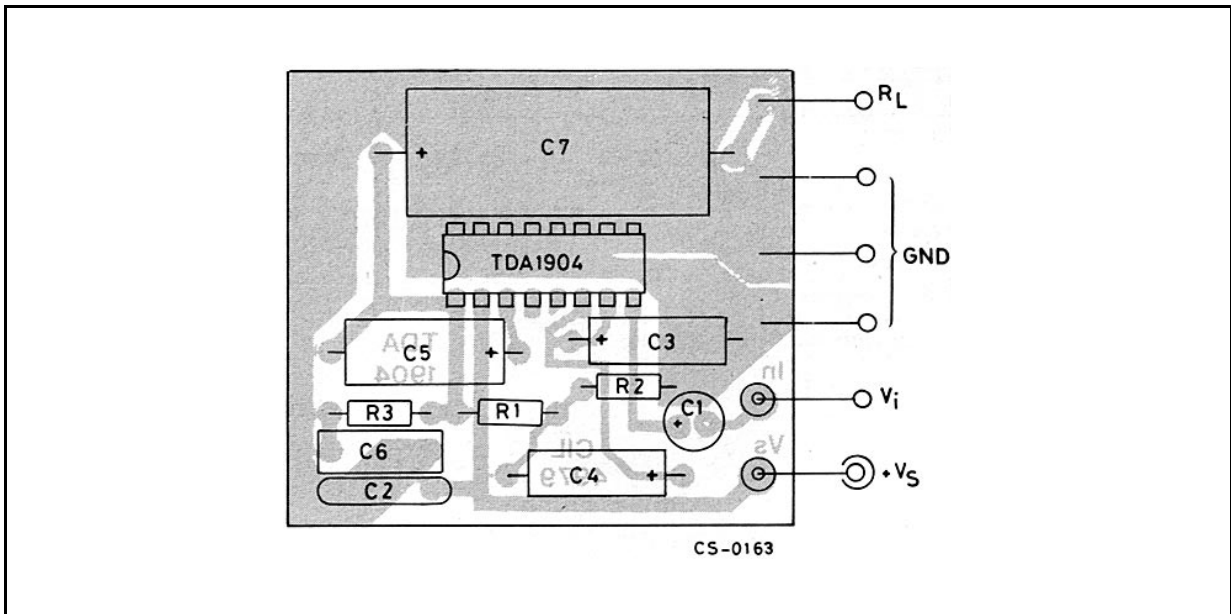


Figure 2. P.C. board and components layout of fig. 1 (1 : 1 scale)



## APPLICATION SUGGESTION

The recommended values of the external components are those shown on the application circuit of fig. 1.

When the supply voltage  $V_S$  is less than 6V, a 68 $\Omega$  resistor must be connected between pin 2 and pin

3 in order to obtain the maximum output power.

Different values can be used. The following table can help the designer.

Components	Recomm. value	Purpose	Larger than recommended value	Smaller than recommended value	Allowed range	
					Min.	Max.
R1	10 K $\Omega$	Feedback resistors	Increase of gain.	Decrease of gain. Increase quiescent current.	9R3	
R2	100 $\Omega$		Decrease of gain.	Increase of gain.		1 K $\Omega$
R3	4.7 $\Omega$	Frequency stability	Danger of oscillation at high frequencies with inductive loads.			
R4	68 $\Omega$	Increase of the output swing with low supply voltage.			39 $\Omega$	220 $\Omega$
C1	2.2 $\mu$ F	Input DC decoupling.	Higher cost lower noise.	Higher low frequency cutoff. Higher noise.		
C2	0.1 $\mu$ F	Supply voltage bypass.		Danger of oscillations.		
C3	22 $\mu$ F	Ripple rejection	Increase of SVR increase of the switch-on time.	Degradation of SVR.	2.2 $\mu$ F	100 $\mu$ F
C4	2.2 $\mu$ F	Inverting input DC decoupling.	Increase of the switch-on noise	Higher low frequency cutoff.	0.1 $\mu$ F	
C5	47 $\mu$ F	Bootstrap.		Increase of the distortion at low frequency.	10 $\mu$ F	100 $\mu$ F
C6	0.22 $\mu$ F	Frequency stability.		Danger of oscillation.		
C7	1000 $\mu$ F	Output DC decoupling		Higher low frequency cutoff.		

Figure 3. Quiescent output voltage vs. supply voltage

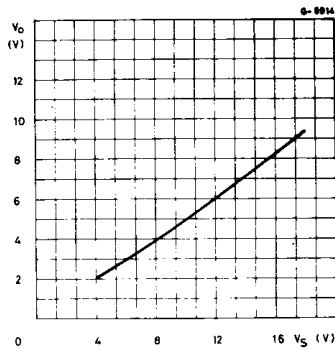


Figure 4. Quiescent drain current vs. supply voltage

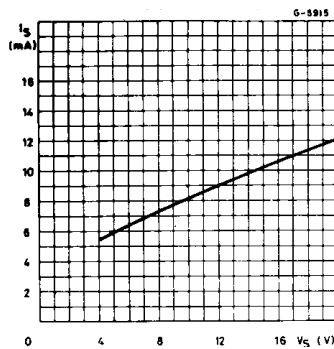


Figure 5. Output power vs. supply voltage

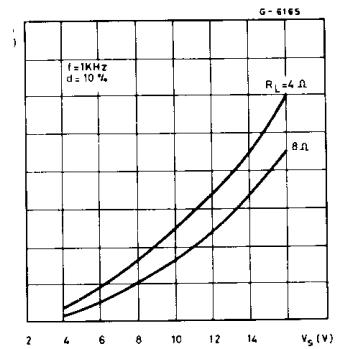


Figure 6. Distortion vs. output power

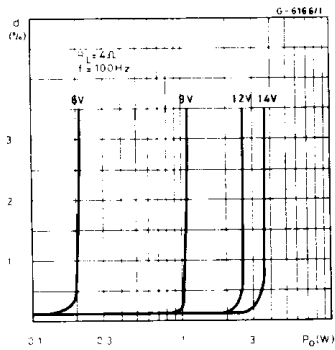


Figure 7. Distortion vs. output power

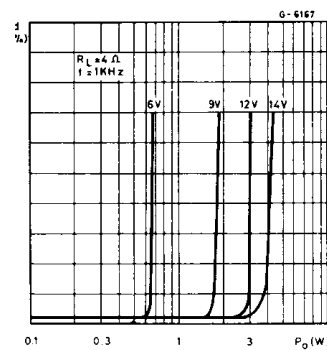


Figure 8. Distortion vs. output power

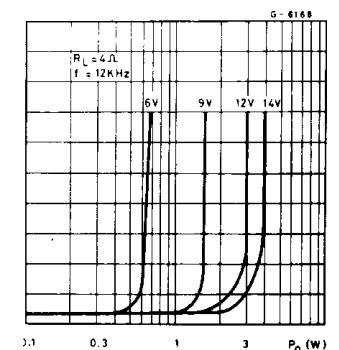


Figure 9. Distortion vs. output power

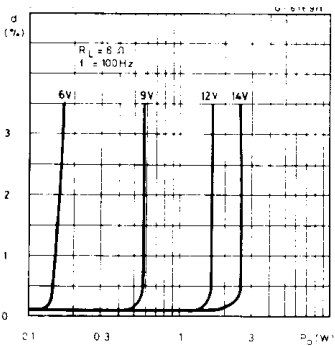


Figure 10. Distortion vs. output power

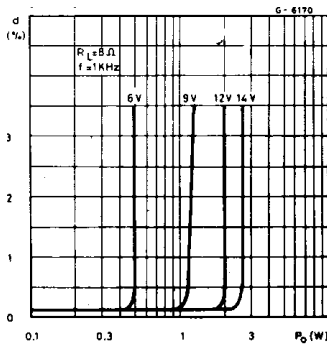


Figure 11. Distortion vs. output power

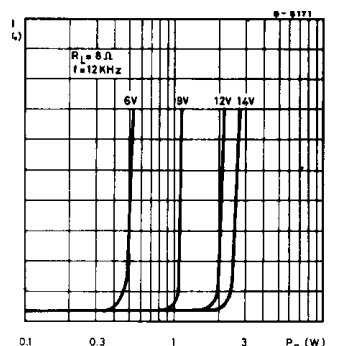


Figure 12. Distortion vs. frequency

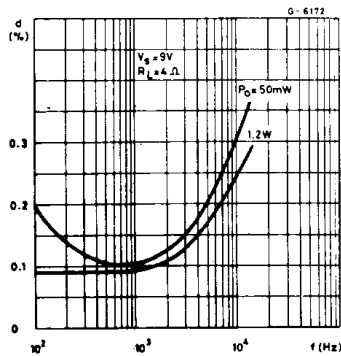


Figure 13. Distortion vs. frequency

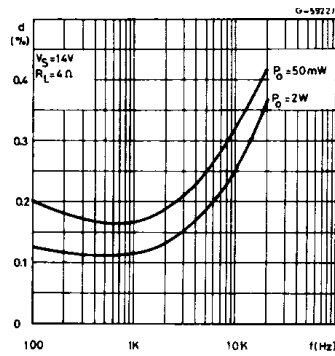


Figure 14. Distortion vs. frequency

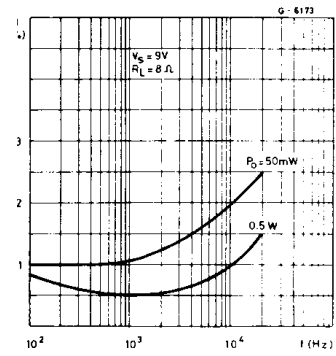


Figure 15. Distortion vs. frequency

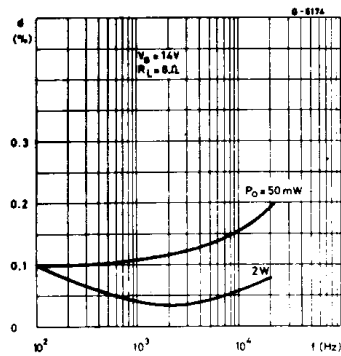


Figure 16. Supply voltage rejection vs. frequency

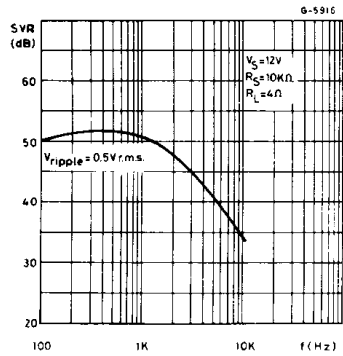


Figure 17. Total power dissipation and efficiency vs. output power

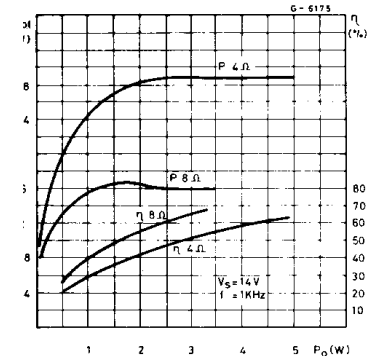


Figure 18. Total power dissipation and efficiency vs. output power

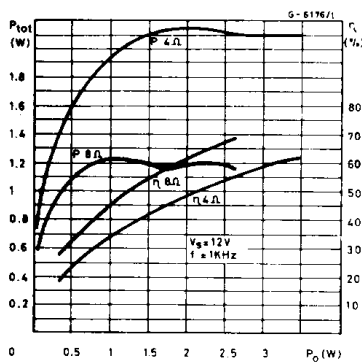


Figure 19. Total power dissipation and efficiency vs. output power

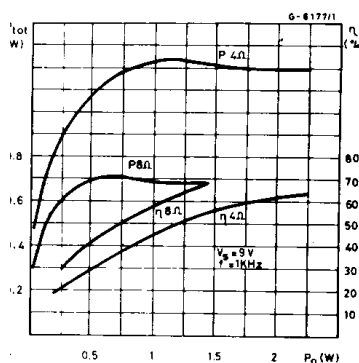
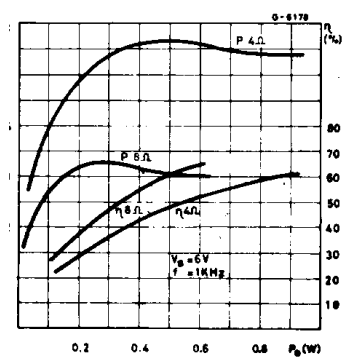


Figure 20. Total power dissipation and efficiency vs. output power



## THERMAL SHUT-DOWN

The presence of a thermal limiting circuit offers the following advantages:

- 1) An overload on the output (even if it is permanent), or an above limit ambient temperature can be easily tolerated since the  $T_j$  cannot be higher than  $150^{\circ}\text{C}$ .
- 2) The heatsink can have a smaller factor of safety compared with that of a conventional circuit. There is no possibility of device damage due to high junction temperature. If for any reason, the junction temperature increase up to  $150^{\circ}\text{C}$ , the thermal shut-down simply reduces the power dissipation and the current consumption.

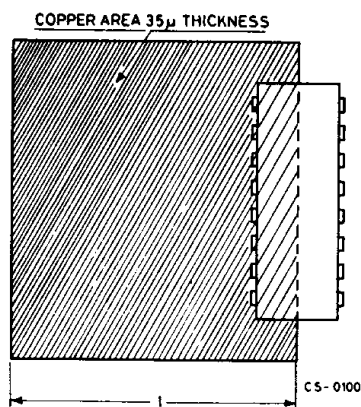
## MOUNTING INSTRUCTION

The TDA 1904 is assembled in the Powerdip, in which 8 pins (from 9 to 16) are attached to the frame and remove the heat produced by the chip.

Figure 21 shows a PC board copper area used as a heatsink ( $l = 65\text{ mm}$ ).

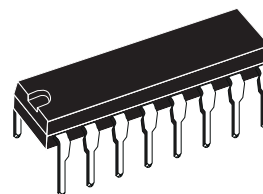
The thermal resistance junction-ambient is  $35^{\circ}\text{C}$ .

**Figure 21. Example of heatsink using PC board copper ( $l = 65\text{ mm}$ )**

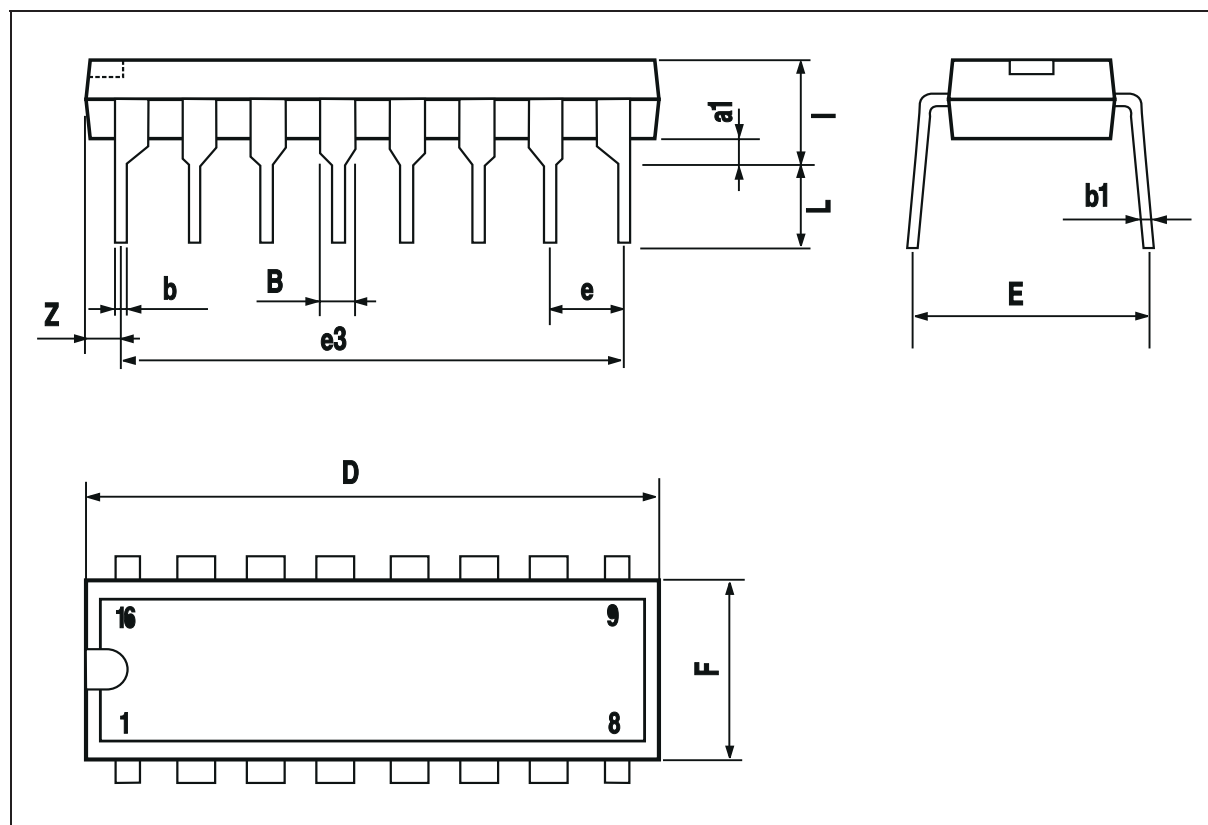


DIM.	mm			inch		
	MIN.	TYP.	MAX.	MIN.	TYP.	MAX.
a1	0.51			0.020		
B	0.85		1.40	0.033		0.055
b		0.50			0.020	
b1	0.38		0.50	0.015		0.020
D			20.0			0.787
E		8.80			0.346	
e		2.54			0.100	
e3		17.78			0.700	
F			7.10			0.280
I			5.10			0.201
L		3.30			0.130	
Z			1.27			0.050

## OUTLINE AND MECHANICAL DATA



**Powerdip 16**



Information furnished is believed to be accurate and reliable. However, STMicroelectronics assumes no responsibility for the consequences of use of such information nor for any infringement of patents or other rights of third parties which may result from its use. No license is granted by implication or otherwise under any patent or patent rights of STMicroelectronics. Specifications mentioned in this publication are subject to change without notice. This publication supersedes and replaces all information previously supplied. STMicroelectronics products are not authorized for use as critical components in life support devices or systems without express written approval of STMicroelectronics.

The ST logo is a registered trademark of STMicroelectronics.  
All other names are the property of their respective owners

© 2003 STMicroelectronics - All rights reserved



STMicroelectronics GROUP OF COMPANIES

Australia - Belgium - Brazil - Canada - China - Czech Republic - Finland - France - Germany - Hong Kong - India - Israel - Italy - Japan - Malaysia - Malta - Morocco - Singapore - Spain - Sweden - Switzerland - United Kingdom - United States

[www.st.com](http://www.st.com)

## Looking for pricing, stock, or lifecycle information?

Click below to explore more details on WIN SOURCE:

-  [View TDA1904](#) on WIN SOURCE
-  [STMicroelectronics](#) Information

## Optimize Your Supply Chain with WIN SOURCE Solutions

-  Global Sourcing Solution
-  Obsolete Management
-  Cost Control Management
-  Shortage Management
-  Alternative Solution
-  Excess Inventory Management