



THE DATASHEET OF AUIRS2334S



Features

- Floating channel designed for bootstrap operation
- Fully operational to 600 V
- Tolerant to negative transient voltage, dV/dt immune
- Gate drive supply range from 10 V to 20 V
- Integrated dead time protection
- Shoot-through (cross-conduction) prevention logic
- Under-Voltage lockout for both channels
- Independent 3 half-bridge drivers
- 3.3 V input logic compatible
- Advanced input filter
- Matched propagation delay for both channels
- Lower di/dt gate driver for better noise immunity
- Outputs in phase with inputs
- RoHS compliant, lead free
- Automotive qualified

Typical Applications

- Motor Control
- Low Power Fans
- General Purpose Inverters
- Micro/Mini Inverter Drivers

Product Summary

Topology	3 phase
V_{OFFSET}	≤ 600 V
V_{OUT}	10 V – 20 V
$I_{\text{o+}}$ & $I_{\text{o-}}$ (typical)	200 mA & 350 mA
t_{ON} & t_{OFF} (typical)	530 ns

Package Options



Typical Connection Diagram

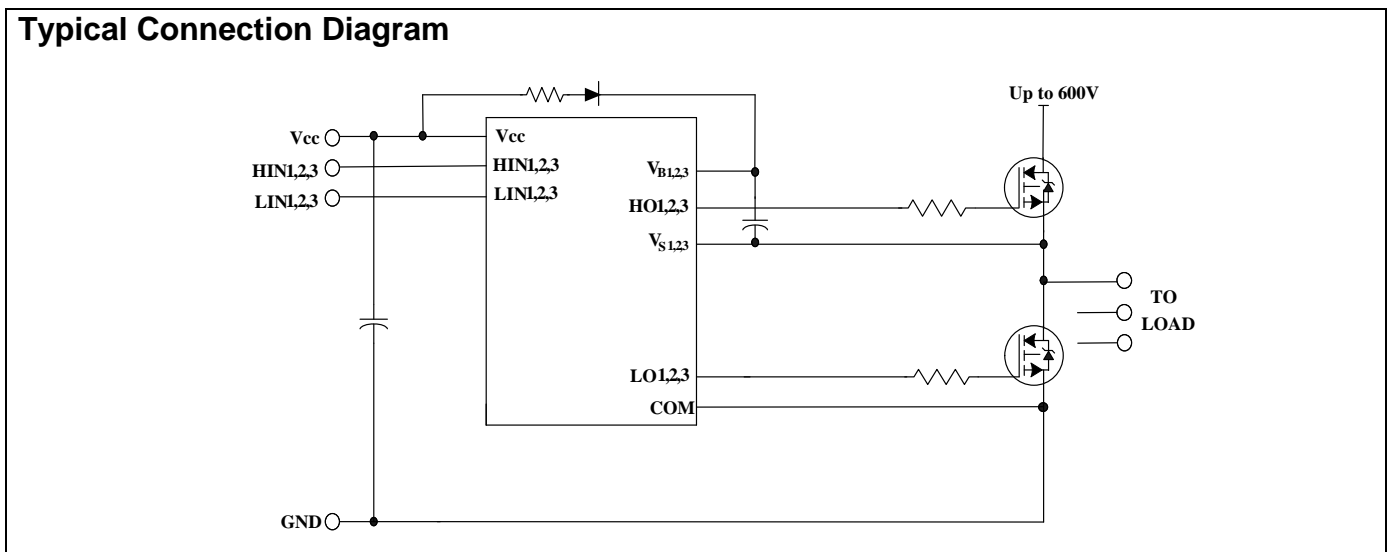
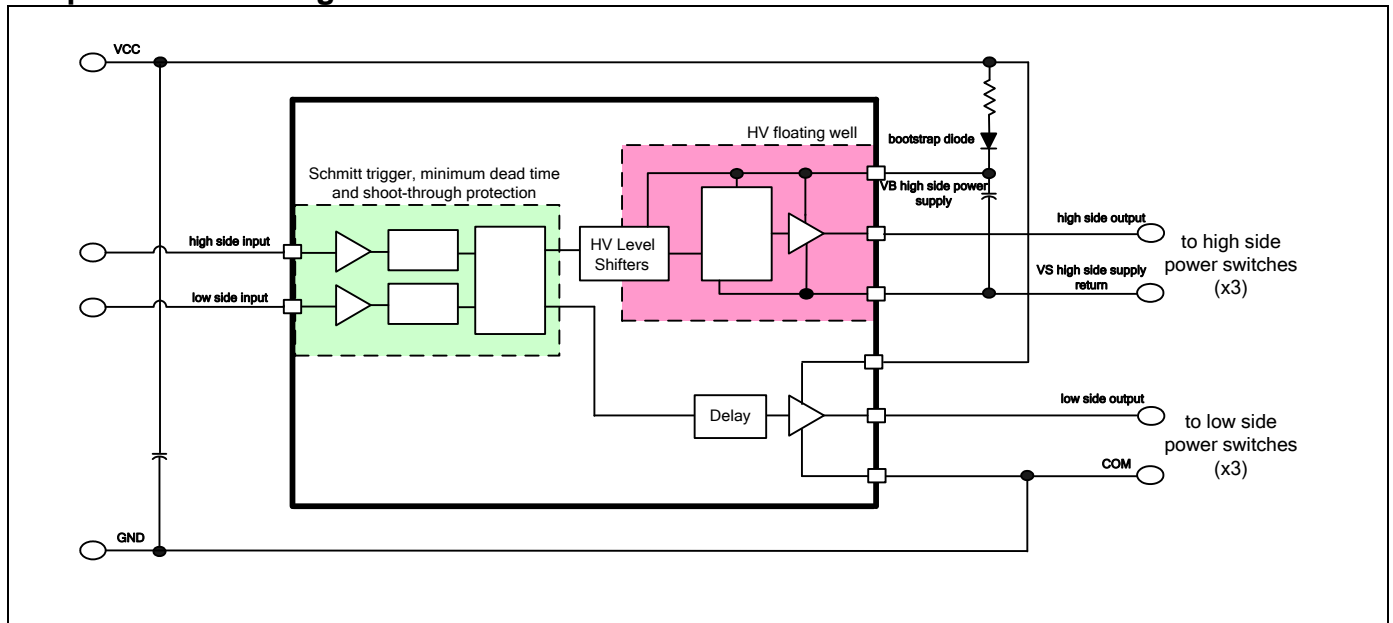


Table of Contents	Page
Description	3
Simplified Block Diagram	3
Typical Application Diagram	4
Qualification Information	5
Absolute Maximum Ratings	6
Recommended Operating Conditions	6
Static Electrical Characteristics	7
Dynamic Electrical Characteristics	7
Functional Block Diagram	8
Input/Output Pin Equivalent Circuit Diagram	9
Lead Definitions	10
Lead Assignments	10
Application Information and Additional Details	11 - 22
Parameter Temperature Trends	22 - 25
Package Details	26
Tape and Reel Details	27
Part Marking Information	28
Ordering Information	28

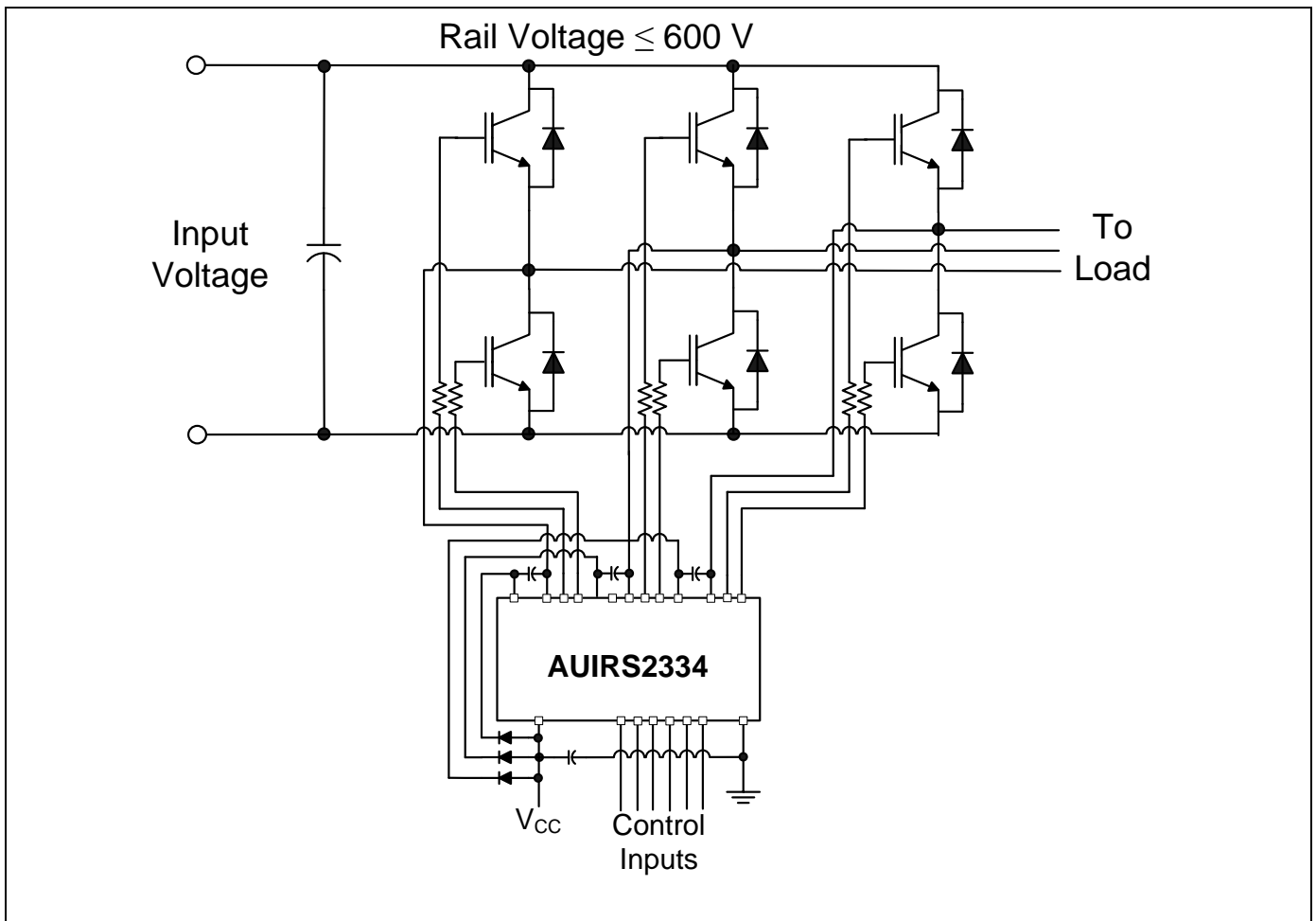
Description

The AUIRS2334S is a high voltage, high speed power MOSFET and IGBT driver with three independent high side and low side referenced output channels for 3-phase applications. Proprietary HVIC and latch immune CMOS technology enables ruggedized monolithic construction. Logic inputs are compatible with CMOS or LSTTL outputs, down to 3.3 V. The output drivers feature a high pulse current buffer stage designed for minimum driver cross-conduction. Propagation delays are matched to simplify use in high frequency applications. The floating channel can be used to drive N-channel power MOSFETs or IGBTs in the high side configuration up to 600 V.

Simplified Block Diagram



Typical Application Diagram



Qualification Information[†]

Qualification Level		Automotive (per AEC-Q100 ^{††})	
		Comments: This family of ICs has passed an Automotive qualification. IR's Industrial and Consumer qualification level is granted by extension of the higher Automotive level.	
Moisture Sensitivity Level		SOIC20W	MSL3 ^{†††} 260°C (per IPC/JEDEC J-STD-020)
ESD	Machine Model	Class M2(+/-150V) (per AEC-Q100-003)	
	Human Body Model	Class H1B(+/-750V) (per AEC-Q100-002)	
	Charged Device Model	Class C4(+/-1000V) (per AEC-Q100-011)	
IC Latch-Up Test		Class II, Level A (per AEC-Q100-004)	
RoHS Compliant		Yes	

† Qualification standards can be found at International Rectifier's web site <http://www.irf.com/>

†† Exceptions (if any) to AEC-Q100 requirements are noted in the qualification report.

††† Higher MSL ratings may be available for the specific package types listed here. Please contact your International Rectifier sales representative for further information.

Absolute Maximum Ratings

Absolute maximum ratings indicate sustained limits beyond which damage to the device may occur. All voltage parameters are absolute voltages referenced to COM unless otherwise specified. The thermal resistance and power dissipation ratings are measured under board mounted and still air conditions.

Symbol	Definition		Min.	Max.	Units
V_B	High side floating supply voltage		-0.3	625	V
V_S	High side floating supply offset voltage		$V_{B1,2,3} - 25^\dagger$	$V_{B1,2,3} + 0.3$	
$V_{HO1,2,3}$	High side floating output voltage		$V_{S1,2,3} - 0.3$	$V_{B1,2,3} + 0.3$	
V_{CC}	Low side and logic fixed supply voltage		-0.3	25^\dagger	
$V_{LO1,2,3}$	Low side output voltage		-0.3	$V_{CC} + 0.3$	
V_{IN}	Logic and analog input voltages		-0.3	$V_{CC} + 0.3$	
PW_{HIN}	High-side input pulse width		500	—	ns
dV_S/dt	Allowable offset supply voltage slew rate		—	50	V/ns
P_D	Package power dissipation @ $T_A \leq 25^\circ\text{C}$	20 lead SOIC	—	1.14	W
R_{thJA}	Thermal resistance, junction to ambient	20 lead SOIC	—	65.8	$^\circ\text{C/W}$
T_J	Junction temperature		—	150	$^\circ\text{C}$
T_S	Storage temperature		-55	150	
T_L	Lead temperature (soldering, 10 seconds)		—	300	

† All supplies are fully tested at 25 V. An internal 25 V clamp exists for each supply.

Recommended Operating Conditions

For proper operation, the device should be used within the recommended conditions. All voltage parameters are absolute voltages referenced to COM unless otherwise specified. The $V_{S1,2,3}$ offset ratings are tested with all supplies biased at 15 V.

Symbol	Definition		Min.	Max.	Units
$V_{B1,2,3}$	High side floating supply voltage		$V_{S1,2,3} + 10$	$V_{S1,2,3} + 20$	V
$V_{S1,2,3}$	Static high side floating supply offset voltage [†]		-8	600	
$V_{S1,2,3}(t)$	Transient high side floating supply offset voltage ^{††}		-50	600	
$V_{HO1,2,3}$	High side floating output voltage		$V_{S1,2,3}$	$V_{B1,2,3}$	
V_{CC}	Low side and logic fixed supply voltage		10	20	
$V_{LO1,2,3}$	Low side output voltage		0	V_{CC}	
V_{IN}	Logic input voltage		0	V_{CC}	
T_A	Ambient temperature		-40	125	$^\circ\text{C}$

† Logic operation for V_S of -8 V to 600 V. Logic state held for V_S of -8 V to $-V_{BS}$.

†† Operational for transient negative V_S of -50 V with a 50 ns pulse width. Guaranteed by design. Refer to the Application Information section of this datasheet for more details.

Static Electrical Characteristics

Unless otherwise noted, these specifications apply for an operating junction temperature range of $-40^{\circ}\text{C} \leq T_j \leq 125^{\circ}\text{C}$ with bias conditions of $(V_{CC-COM}) = (V_{B1,2,3}-V_{S1,2,3}) = 15\text{ V}$. The V_{IN} and I_{IN} parameters are referenced to COM. The V_O and I_O parameters are referenced to COM and $V_{S1,2,3}$ and are applicable to the output leads LO1,2,3 and HO1,2,3 respectively. The V_{CCUV} and V_{BSUV} parameters are referenced to COM and V_S respectively.

Symbol	Definition	Min.	Typ.	Max.	Units	Test Conditions
V_{IH}	Logic "1" input voltage	2.5	—	—	V	$I_O = 20\text{ mA}$
V_{IL}	Logic "0" input voltage	—	—	0.8		
$V_{IN,TH+}$	Input positive going threshold	—	1.9	—		
$V_{IN,TH-}$	Input negative going threshold	—	1	—		
V_{OH}	High level output voltage	—	0.9	1.4		
V_{OL}	Low level output voltage	—	0.4	0.6		
V_{CCUV+} V_{BSUV+}	V_{CC} and V_{BS} supply under-voltage positive going threshold	10.4	11.1	11.6		
V_{CCUV-} V_{BSUV-}	V_{CC} and V_{BS} supply under-voltage negative going threshold	10.2	10.9	11.4		
V_{CCUVH} V_{BSUVH}	V_{CC} and V_{BS} supply under-voltage hysteresis	0.05	0.2	—		
I_{LK}	Offset supply leakage current	—	1	50	μA	$V_B = V_S = 600\text{ V}$
I_{QBS}	Quiescent V_{BS} supply current	—	40	120		$V_{IN} = 0\text{ V}$
I_{QCC}	Quiescent V_{CC} supply current	—	300	700	μA	$V_{IN} = 5\text{ V}$
I_{IN+}	Logic "1" input bias current	—	150	250	μA	$V_{IN} = 0\text{ V}$
I_{IN-}	Logic "0" input bias current	—	—	1		
I_{O+}	Output high short circuit pulsed current	120	200	—	mA	$V_O = 0\text{ V}$ or 15 V $PW \leq 10\text{ }\mu\text{s}$
I_{O-}	Output low short circuit pulsed current	200	350	—		

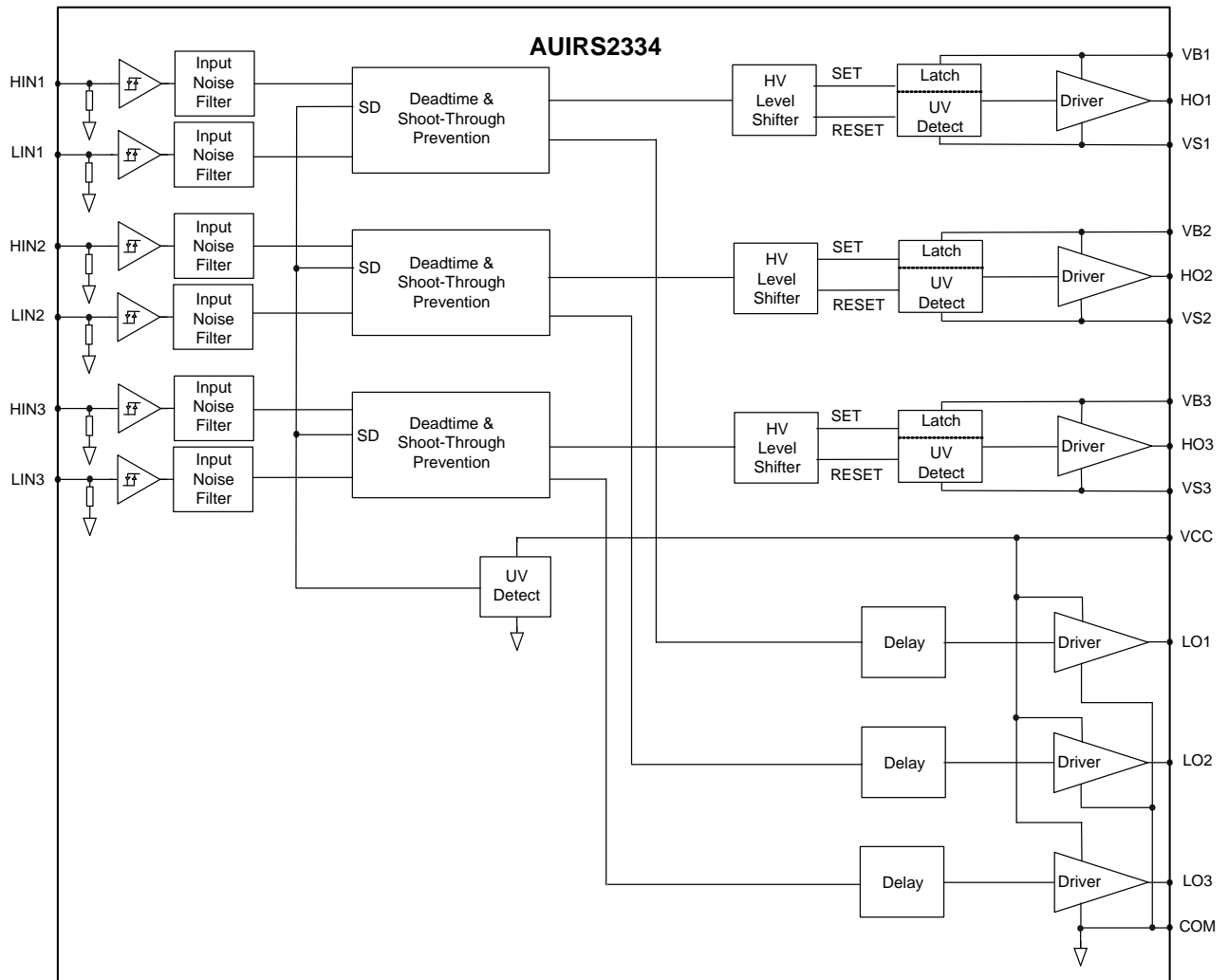
Dynamic Electrical Characteristics

Unless otherwise noted, these specifications apply for an operating junction temperature range of $-40^{\circ}\text{C} \leq T_j \leq 125^{\circ}\text{C}$ with bias conditions of $V_{CC} = V_{B1,2,3} = 15\text{ V}$, $V_{S1,2,3} = \text{COM}$, and $C_L = 1000\text{ pF}$ unless otherwise specified.

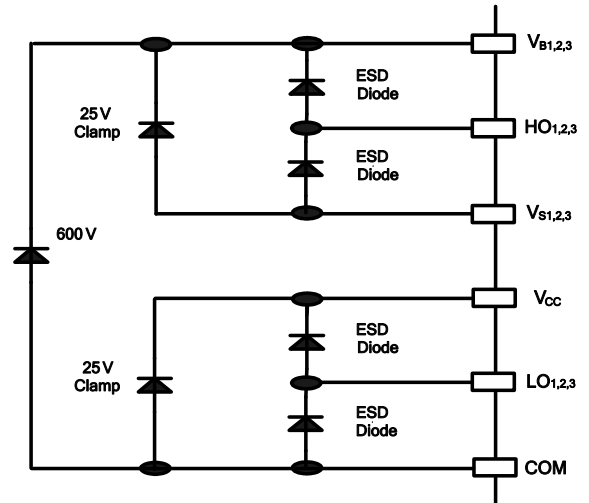
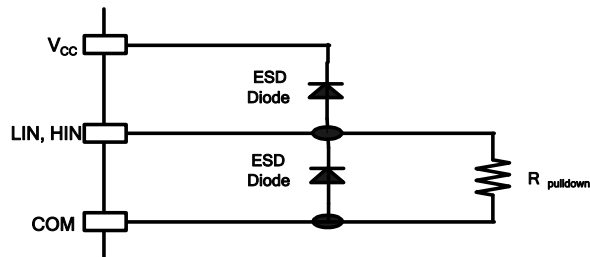
Symbol	Definition	Min.	Typ.	Max.	Units	Test Conditions	
t_{on}	Turn-on propagation delay	400	530	750	ns	$V_{IN} = 0\text{V}$ and 5V	
t_{off}	Turn-off propagation delay	400	530	750			
t_r	Turn-on rise time	—	125	190			
t_f	Turn-off fall time	—	50	75			
t_{FILIN}	Input filter time	200	350	510			
DT	Dead time	180	290	420		$V_{IN} = 0\text{V}$ & 5V External dead time 0s	
MDT	Dead time matching	—	—	70			
MT	t_{on} , t_{off} propagation delay matching time	—	—	60			
PM	PW pulse width distortion [†]	—	—	75			PW input = $10\text{ }\mu\text{s}$

† PM is defined as $PW_{IN} - PW_{OUT}$.

Functional Block Diagram



Input/Output Pin Equivalent Circuit Diagrams



Lead Definitions

Symbol	Description
VCC	Low side and logic power supply
VB1	High side floating power supply (phase 1)
VB2	High side floating power supply (phase 2)
VB3	High side floating power supply (phase 3)
VS1	High side floating supply return (phase 1)
VS2	High side floating supply return (phase 2)
VS3	High side floating supply return (phase 3)
HIN1	Logic input for high side gate driver output HO1, input is in-phase with output
HIN2	Logic input for high side gate driver output HO2, input is in-phase with output
HIN3	Logic input for high side gate driver output HO3, input is in-phase with output
LIN1	Logic input for low side gate driver output LO1, input is in-phase with output
LIN2	Logic input for low side gate driver output LO2, input is in-phase with output
LIN3	Logic input for low side gate driver output LO3, input is in-phase with output
HO1	High side gate driver output (phase 1)
HO2	High side gate driver output (phase 2)
HO3	High side gate driver output (phase 3)
LO1	Low side gate driver output (phase 1)
LO2	Low side gate driver output (phase 2)
LO3	Low side gate driver output (phase 3)
COM	Low side supply return

Lead Assignments



Application Information and Additional Details

- [IGBT/MOSFET Gate Drive](#)
- [Switching and Timing Relationships](#)
- [Deadtime](#)
- [Matched Propagation Delays](#)
- [Input Logic Compatibility](#)
- [Shoot-Through Protection](#)
- [Under-Voltage Lockout Protection](#)
- [Truth Table: Under-Voltage lockout](#)
- [Advanced Input Filter](#)
- [Short-Pulse and Noise Rejection](#)
- [Tolerant to Negative \$V_S\$ Transients](#)
- [PCB Layout Tips](#)
- [Additional Documentation](#)

IGBT/MOSFET Gate Drive

The AUIRS2334 HVIC is designed to drive high side and low side MOSFET or IGBT power devices. Figures 1 and 2 show the definition of some of the relevant parameters associated with the gate driver output functionality. The output current that drives the gate of the external power switches is defined as I_O . The output voltage that drives the gate of the external power switches is defined as V_{HO} for the high side and V_{LO} for the low side; this parameter is sometimes generically called V_{OUT} and in this case the high side and low side output voltages are not differentiated.

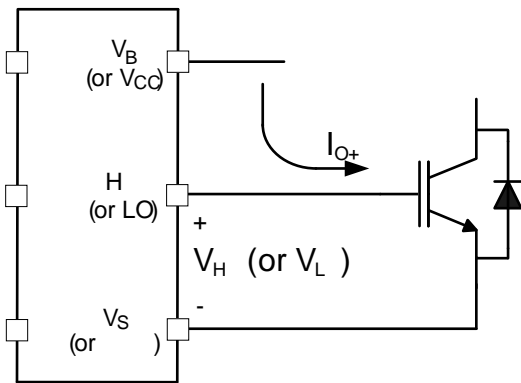


Figure 1: HVIC sourcing current

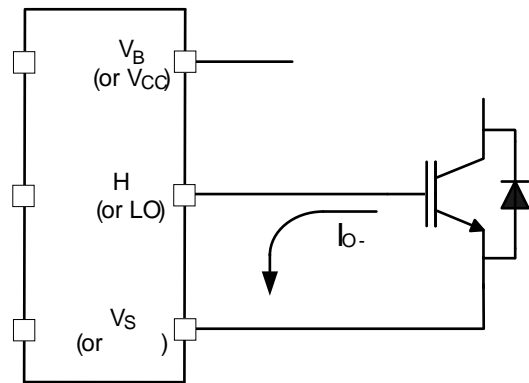


Figure 2: HVIC sinking current

Switching and Timing Relationships

The relationship between the input and output signals of the AUIRS2334 HVIC is shown in Figure 3. The definitions of some of the relevant parameters associated with the gate driver input to output transmission are given.

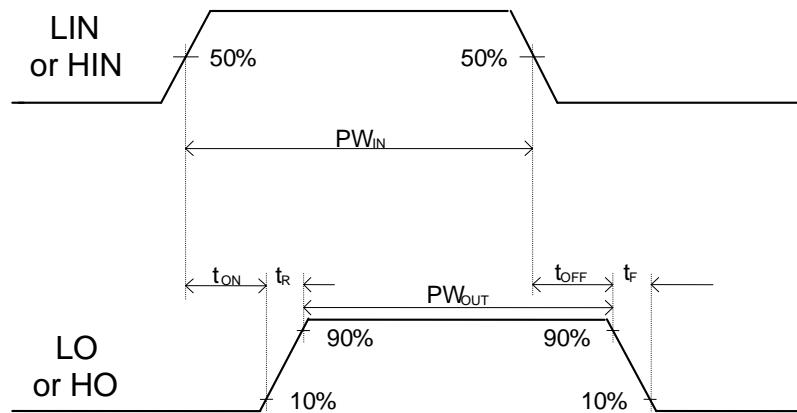


Figure 3: Switching time waveforms

During interval A of Figure 4 the HVIC receives the command to turn on both the high and low side switches at the same time; correspondingly, the shoot-through protection prevents the high and low side signals HO and LO turn on by keeping them low.

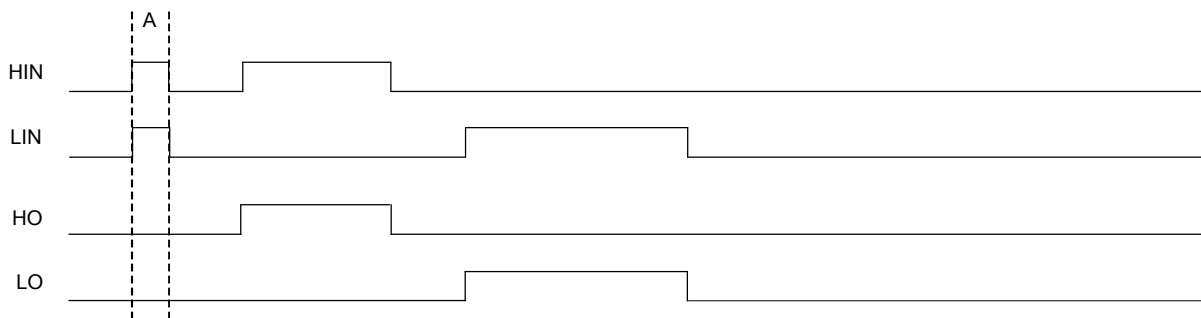


Figure 4: Input/output timing diagram

Deadtime

The AUIRS2334 HVIC provides an integrated deadtime protection circuitry. The deadtime interval for this HVIC is fixed; while other ICs within IR’s HVIC portfolio feature programmable deadtime for greater design flexibility. The deadtime feature inserts a time interval in which both the gate driver outputs LO and HO are held off; to ensure that the power switch being turned off has fully turned off before the second power switch is turned on. This minimum deadtime is automatically inserted whenever the external deadtime commanded by the host

microcontroller is shorter than DT, while external deadtimes larger than DT are not modified by the gate driver. Figure 7 illustrates the deadtime interval definition and the relationship between the output gate signals.

The deadtime interval introduced is matched with respect to the commutation from HIN turning off to LIN turning on, and viceversa. Figure 5 defines the two deadtime parameters DT1 and DT2. The deadtime matching parameter MDT is defined as the maximum difference between DT1 and DT2.

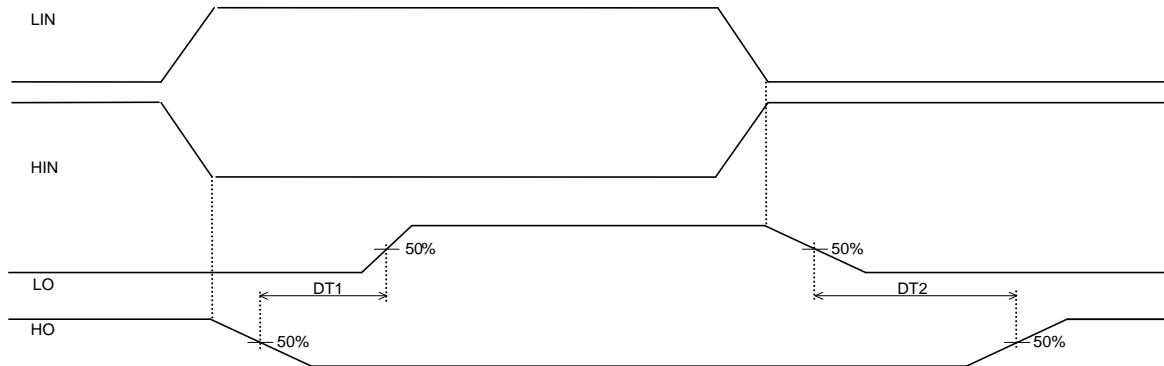


Figure 5: Deadtime definition

Matched Propagation Delays

The AUIRS2334 HVIC is designed for propagation delay matching. With this feature, the input to output propagation delays t_{ON} , t_{OFF} are the same for the low side and the high side channels; the maximum difference being specified by the delay matching parameter MT as defined in Figure 6.

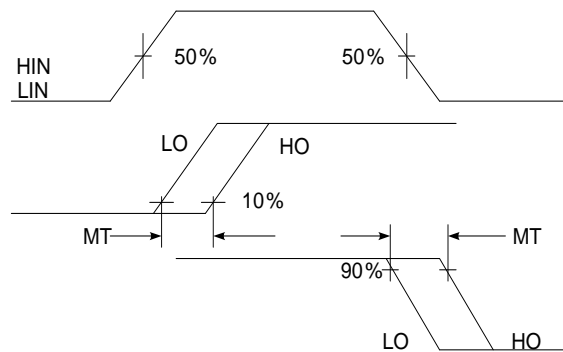


Figure 6: Delay Matching Waveform Definition

Input Logic Compatibility

The AUIRS2334 HVIC is designed with inputs compatible with standard CMOS and TTL outputs with 3.3 V and 5 V logic level signals. Figure 7 shows how an input signal is logically interpreted.

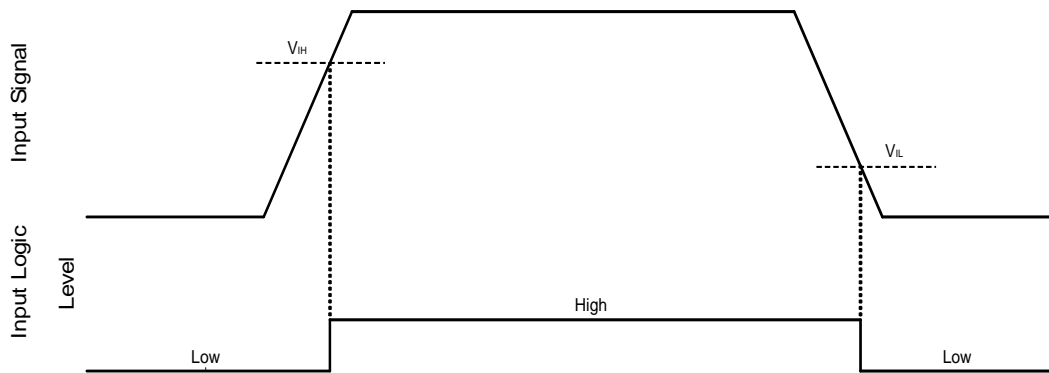


Figure 7: HIN & LIN input thresholds

Shoot-Through Protection

The AUIRS2334 is equipped with a shoot-through protection circuitry which prevents cross-conduction of the power switches. Table 1 shows the input to output relationship in the form of a truth table. Note that the HVIC has non-inverting inputs (the output is in-phase with the respective input).

HIN	LIN	HO	LO
0	0	0	0
0	1	0	1
1	0	1	0
1	1	0	0

Table 1: Input/output truth table

Under-Voltage Lockout Protection

The AUIRS2334 HVIC provides under-voltage lockout protection on both the V_{CC} low side and logic fixed power supply and the V_{BS} high side floating power supply. Figure 8 illustrates this concept by considering the V_{CC} (or V_{BS}) plotted over time: as the waveform crosses the UVLO threshold, the under-voltage protection is entered or exited.

Upon power up, should the V_{CC} voltage fail to reach the V_{CCUV+} threshold, the gate driver outputs LO and HO will remain disabled. Additionally, if the V_{CC} voltage decreases below the V_{CCUV-} threshold during normal operation, the under-voltage lockout circuitry will shutdown the gate driver outputs LO and HO.

Upon power up, should the V_{BS} voltage fail to reach the V_{BSUV} threshold, the gate driver output HO will remain disabled. Additionally, if the V_{BS} voltage decreases below the V_{BSUV} threshold during normal operation, the under-voltage lockout circuitry will shutdown the high side gate driver output HO.

The UVLO protection ensures that the HVIC drives external power devices only with a gate supply voltage sufficient to fully enhance them. Without this protection, the gates of the external power switches could be driven

with a low voltage, which would result in power switches conducting current while with a high channel impedance, which would produce very high conduction losses possibly leading to power device failure.

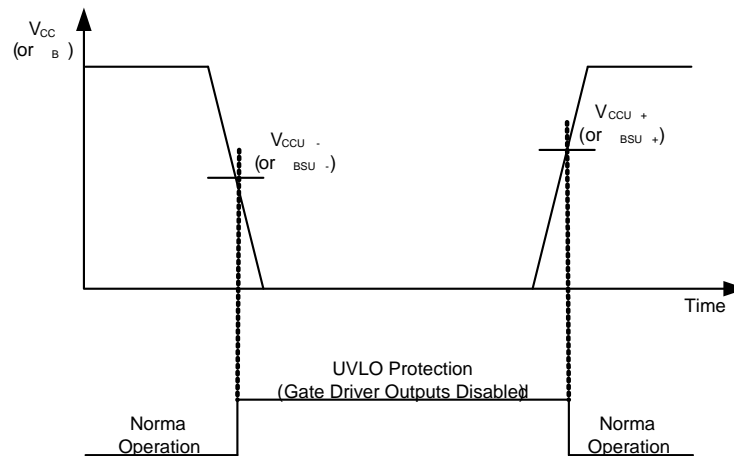


Figure 8: UVLO protection

Truth Table: Under-Voltage lockout

Table 2 provides the truth table for the AUIRS2334 HVIC.

The 1st line shows that for V_{CC} below the UVLO threshold both the gate driver outputs LO and HO are disabled. After V_{CC} returns above V_{CCUV} , the gate driver outputs return functional.

The 2nd line shows that for V_{BS} below the UVLO threshold, the gate driver output HO is disabled. After V_{BS} returns above V_{BSUV} , HO remains low until a new rising transition of HIN is received.

The last line shows the normal operation of the HVIC.

	VCC	VBS	outputs	
			LO	HO
UVLO V_{CC}	$<V_{CCUV}$		0	0
UVLO V_{BS}	15 V	$<V_{BSUV}$	LIN	0
Normal operation	15 V	15 V	LIN	HIN

Table 2: UVLO truth table

Advanced Input Filter

The AUIRS2334 HVIC provides an advanced input filter that improves the input/output pulse symmetry of the signals processed by the HVIC. This input filter is inserted at the HIN and LIN input pins. The working principle of the filter is shown in Figures 9 and 10.

Figure 9 shows a typical input filter and the asymmetry it produces on its output signal. The upper waveforms of Example 1 show an input signal with a pulse duration much longer than the filtering time t_{FILIN} ; the resulting output

signal has a duration given approximately by the difference between the input signal and $t_{FIL,IN}$. The lower waveforms of Example 2 show an input signal with a pulse duration slightly longer than the filtering time $t_{FIL,IN}$; the resulting output signal has a duration given approximately by the difference between the input signal and $t_{FIL,IN}$, much shorter than it should be.

Figure 10 shows the advanced input filter and the symmetry it produces on its output signal. The upper waveforms of Example 1 show an input signal with a pulse duration much longer than the filtering time $t_{FIL,IN}$; the resulting output signal has approximately the same duration as the input signal. The lower waveforms of Example 2 show an input signal with a pulse duration slightly longer than the filtering time $t_{FIL,IN}$; the resulting output signal has approximately the same duration as the input signal.

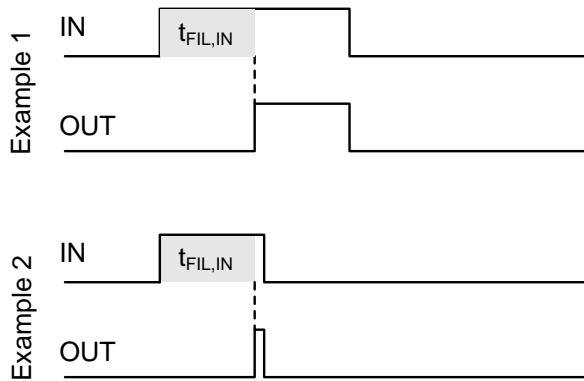


Figure 9: Typical input filter

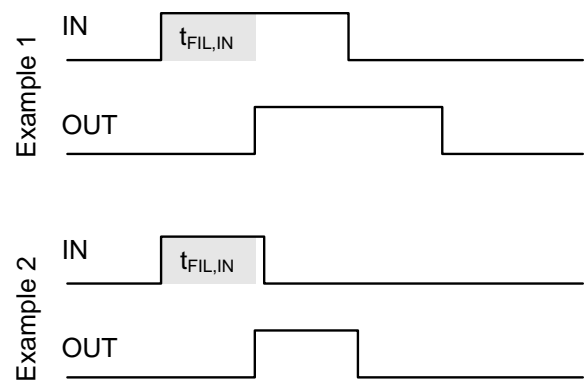


Figure 10: Advanced input filter

Short-Pulse and Noise Rejection

The advanced input filter that improves the input/output pulse symmetry of the signals processed by the HVIC also helps the rejection of noise spikes and of short pulses on the input signals.

Input signals with a pulse duration less than the filtering time $t_{FIL,IN}$ will be filtered out. In Figure 11 Example 1 shows an input signal in the low state with superimposed positive noise spikes of duration less than $t_{FIL,IN}$; the advanced input filter filters out the noise spikes and the output signal remains in the low state. Example 2 shows an input signal in the high state with superimposed negative noise spikes of duration less than $t_{FIL,IN}$; the advanced input filter filters out the noise spikes and the output signal remains in the high state.

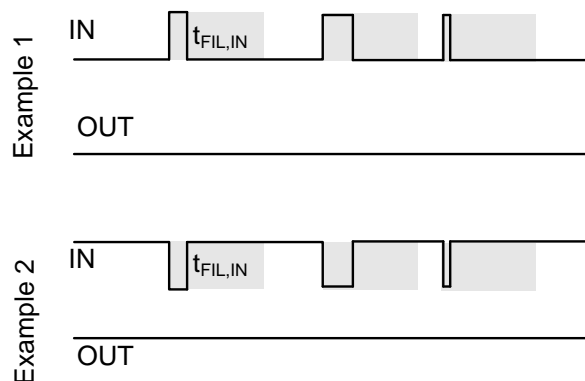


Figure 11: Noise rejection of the advanced input filter

The measured characteristic of the advanced input filter is shown in Figure 12. On the left side the characteristic for narrow ON pulses is shown (short positive pulse) while on the right side the characteristic for narrow OFF pulses is shown (short negative pulse). The x-axis represents the input pulse duration PW_{IN} , while the y-axis the resulting output pulse duration PW_{OUT} . For pulses with input pulse duration PW_{IN} less than the filtering time t_{FILIN} the resulting output pulse duration PW_{OUT} is zero because the filter rejects the input signal. For pulses with input pulse duration PW_{IN} greater than the filtering time t_{FILIN} the resulting output pulse duration PW_{OUT} tracks the input pulse durations well, the higher the duration the better the symmetry.

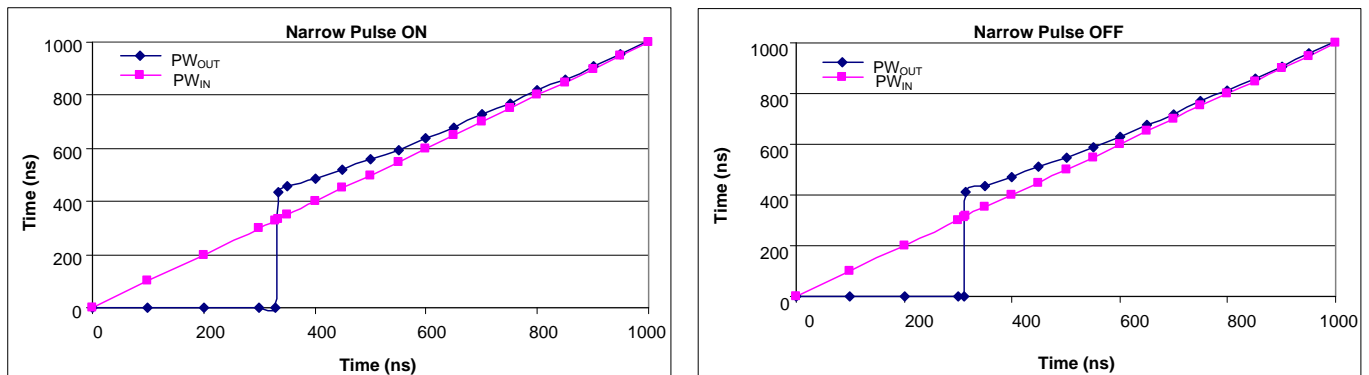


Figure 12: Measured advanced input filter characteristic

The difference between the output pulse duration PW_{OUT} and the input pulse duration PW_{IN} of both the narrow ON and narrow OFF cases is shown in Figure 13. The x-axis represents the input pulse duration PW_{IN} , while the y-axis the resulting difference $PW_{OUT}-PW_{IN}$.

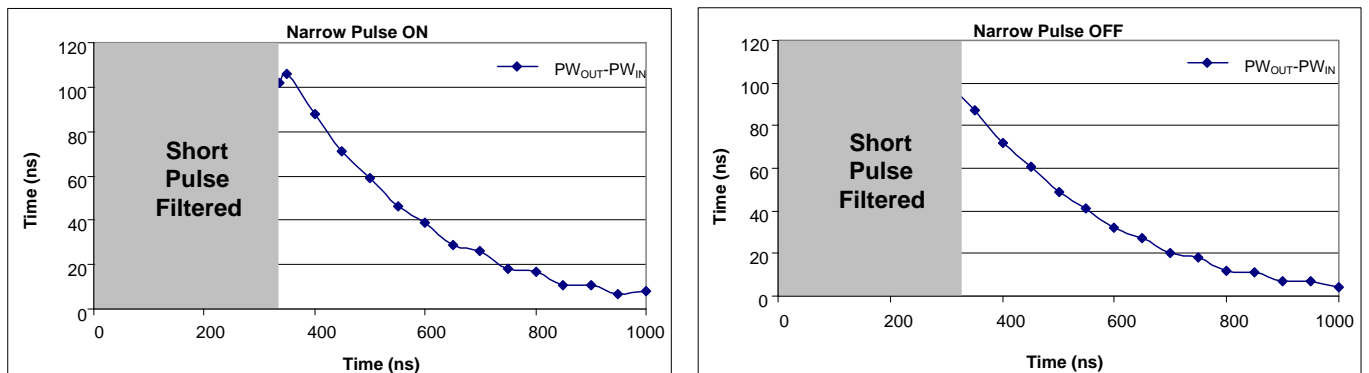


Figure 13: Difference between the input pulse duration and the output pulse duration

Tolerant to Negative VS Transients

A common problem in today's high-power switching converters is the transient response of the switch node's voltage as the power devices switch on and off quickly while carrying a large current. A typical 3-phase inverter circuit is shown in Figure 14; where we define the power switches and diodes of the inverter.

If the high-side switch (e.g., the IGBT Q1 in Figures 15 and 16) switches off, while the U phase current is flowing to an inductive load, a current commutation occurs from high-side switch (Q1) to the diode (D2) in parallel with the low-side switch of the same inverter leg. At the same instance, the voltage node V_{S1} , swings from the positive DC bus voltage to the negative DC bus voltage.

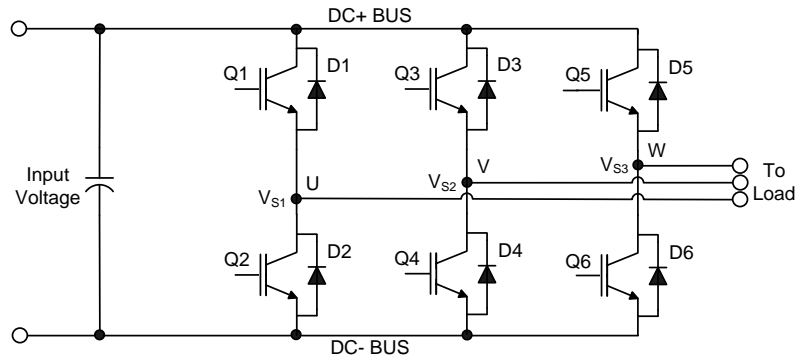


Figure 14: Three phase inverter

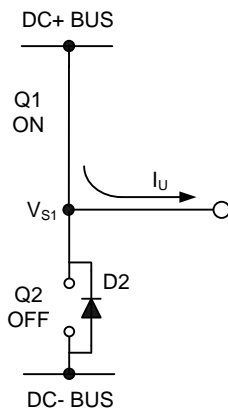


Figure 15: Q1 conducting

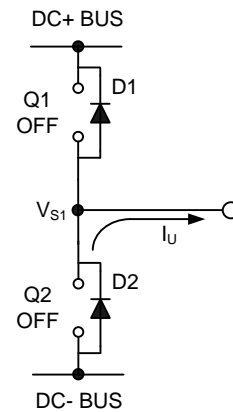


Figure 16: D2 conducting

Also when the V phase current flows from the inductive load back to the inverter (see Figures 17 and 18), and Q4 IGBT switches on, the current commutation occurs from D3 to Q4. At the same instance, the voltage node, V_{S2} , swings from the positive DC bus voltage to the negative DC bus voltage.

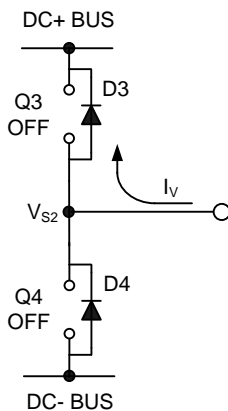


Figure 17: D3 conducting

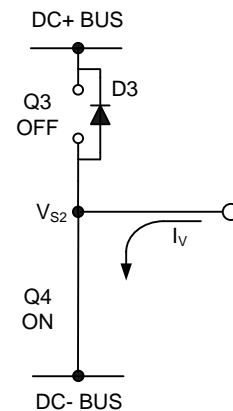


Figure 18: Q4 conducting

However, in a real inverter circuit, the V_S voltage swing does not stop at the level of the negative DC bus, rather it swings below the level of the negative DC bus. This undershoot voltage is called “negative V_S transient”.

The circuit shown in Figure 19 depicts one leg of the three phase inverter; Figures 20 and 21 show a simplified illustration of the commutation of the current between Q1 and D2. The parasitic inductances in the power circuit from the die bonding to the PCB tracks are lumped together in L_C and L_E for each IGBT. When the high-side switch is on, V_{S1} is below the DC+ voltage by the voltage drops associated with the power switch and the parasitic elements of the circuit. When the high-side power switch turns off, the load current momentarily flows in the low-side freewheeling diode due to the inductive load connected to V_{S1} (the load is not shown in these figures). This current flows from the DC- bus (which is connected to the COM pin of the HVIC) to the load and a negative voltage between V_{S1} and the DC- Bus is induced (i.e., the COM pin of the HVIC is at a higher potential than the V_S pin).

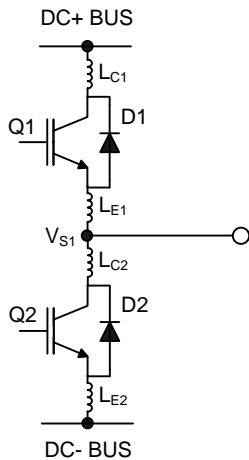


Figure 19: Parasitic Elements

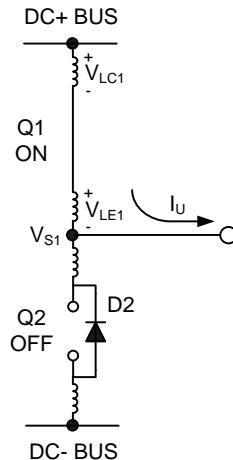


Figure 20: V_S positive

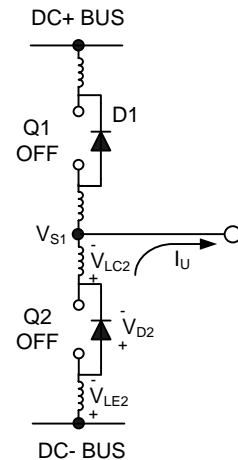


Figure 21: V_S negative

In a typical motor drive system, dV/dt is typically designed to be in the range of 3-5 V/ns. The negative V_S transient voltage can exceed this range during some events such as short circuit and over-current shutdown, when di/dt is greater than in normal operation.

International Rectifier's HVICs have been designed for the robustness required in many of today's demanding applications. An indication of the AUIRS2334's robustness can be seen in Figure 22, where there is represented the AUIRS2334 Safe Operating Area at $V_{BS}=15V$ based on repetitive negative V_S spikes. A negative V_S transient voltage falling in the grey area (outside SOA) may lead to IC permanent damage; vice versa unwanted functional anomalies or permanent damage to the IC do not appear if negative V_S transients fall inside SOA.

At $V_{BS}=15V$ in case of $-V_S$ transients greater than $-16.5 V$ for a period of time greater than 50 ns; the HVIC will hold by design the high-side outputs in the off state for 4.5 μs .

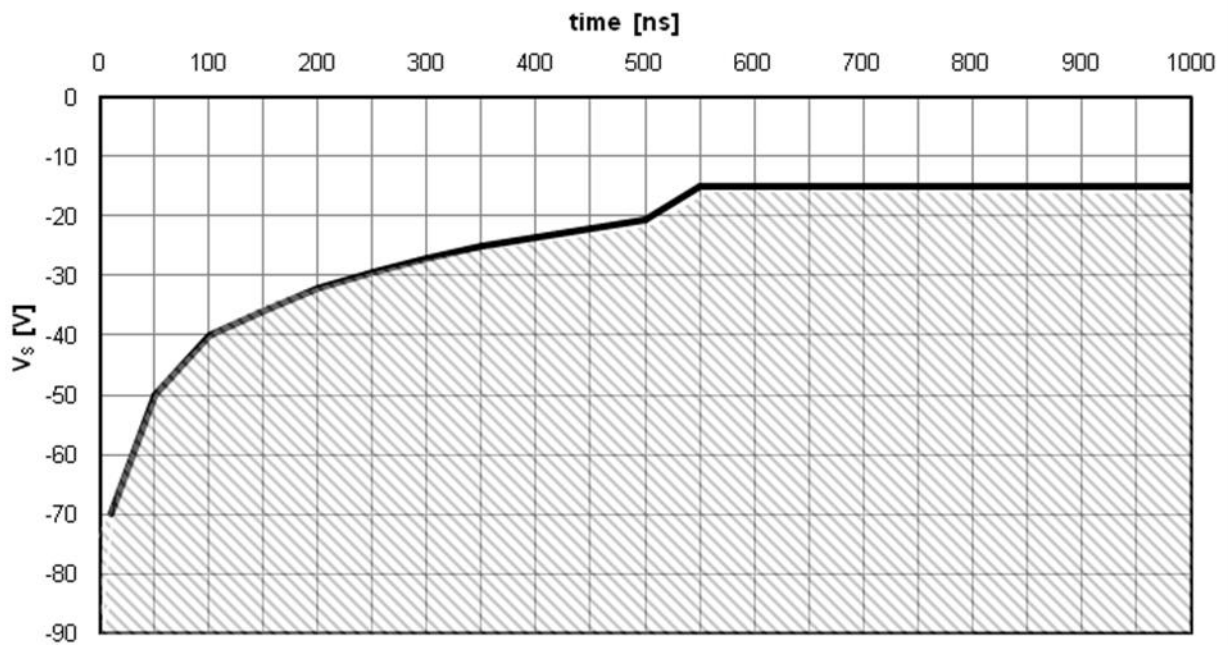


Figure 22: Negative V_s transient SOA @ $V_{BS}=15V$

Even though the AUIRS2334 has been shown able to handle these large negative V_s transient conditions, it is highly recommended that the circuit designer always limit the negative V_s transients as much as possible by careful PCB layout and component use.

PCB Layout Tips

Distance between high and low voltage components: It's strongly recommended to place the components tied to the floating voltage pins (V_B and V_S) near the respective high voltage portions of the device. Please see the Case Outline information in this datasheet for the details.

Ground Plane: In order to minimize noise coupling, the ground plane should not be placed under or near the high voltage floating side.

Gate Drive Loops: Current loops behave like antennas and are able to receive and transmit EM noise (see Figure 23). In order to reduce the EM coupling and improve the power switch turn on/off performance, the gate drive loops must be reduced as much as possible. Moreover, current can be injected inside the gate drive loop via the IGBT collector-to-gate parasitic capacitance. The parasitic auto-inductance of the gate loop contributes to developing a voltage across the gate-emitter, thus increasing the possibility of a self turn-on effect.

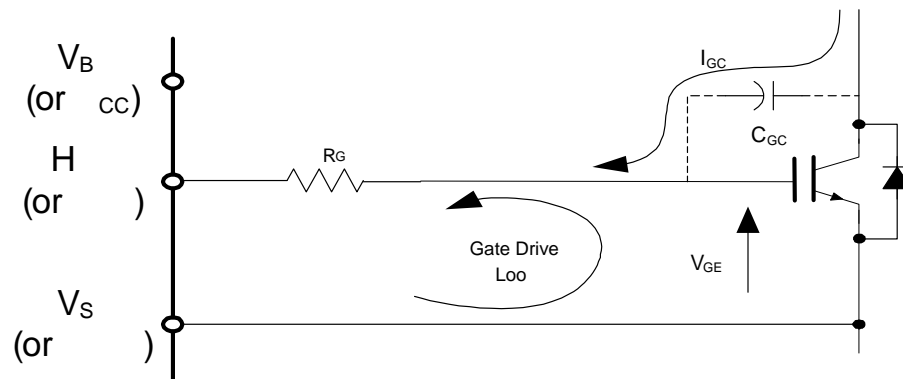


Figure 23: Antenna Loops

Supply Capacitor: It is recommended to place a bypass capacitor between the VCC and COM pins. This connection is shown in Figure 24. A ceramic 1 μ F ceramic capacitor is suitable for most applications. This component should be placed as close as possible to the pins in order to reduce parasitic elements.

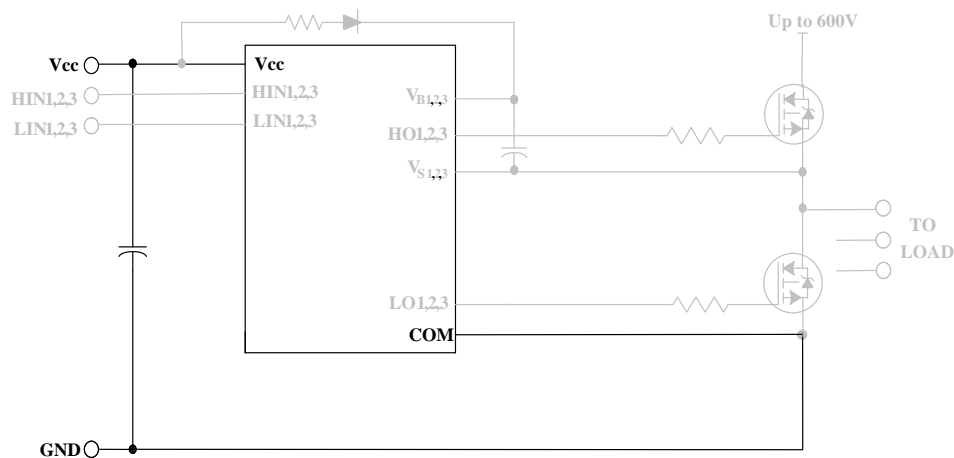


Figure 24: Supply capacitor

Routing and Placement: Power stage PCB parasitic elements can contribute to large negative voltage transients at the switch node; it is recommended to limit the phase voltage negative transients. In order to avoid such conditions, it is recommended to 1) minimize the high-side source to low-side collector distance, and 2) minimize the low-side emitter to negative bus rail stray inductance. However, where negative V_S spikes remain excessive, further steps may be taken to reduce the spike. This includes placing a resistor (5 Ω or less) between the V_S pin and the switch node (see Figure 25), and in some cases using a clamping diode between COM and V_S (see Figure 26). See DT04-4 at www.irf.com for more detailed information.

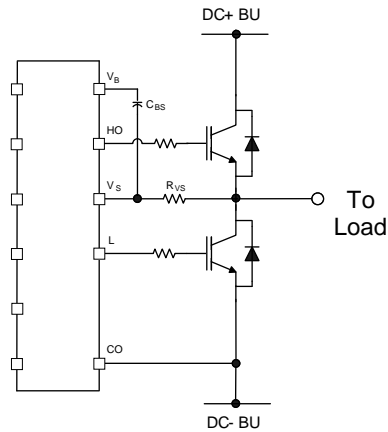


Figure 25: V_S resistor

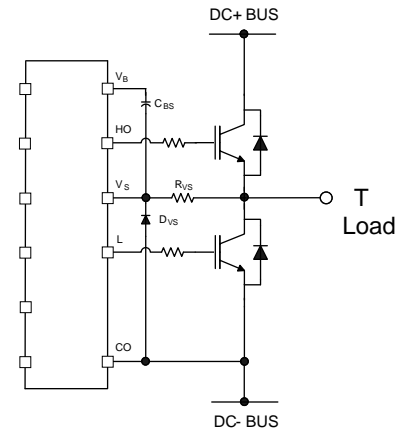


Figure 26: V_S clamping diode

Additional Documentation

Several technical documents related to the use of HVICs are available at www.irf.com; use the Site Search function and the document number to quickly locate them. Below is a short list of some of these documents.

DT97-3: Managing Transients in Control IC Driven Power Stages

AN-1123: Bootstrap Network Analysis: Focusing on the Integrated Bootstrap Functionality

DT04-4: Using Monolithic High Voltage Gate Drivers

AN-978: HV Floating MOS-Gate Driver ICs

Parameter Temperature Trends

Figures 27-44 provide information on the experimental performance of the AUIRS2334 HVIC. The line plotted in each figure is generated from actual experimental data. A small number of individual samples were tested at three temperatures (-40 $^{\circ}\text{C}$, 25 $^{\circ}\text{C}$, and 125 $^{\circ}\text{C}$) in order to generate the experimental curve. The line labeled Exp. consist of three data points (one data point at each of the tested temperatures) that have been connected together to illustrate the understood temperature trend. The individual data points on the curve were determined by calculating the averaged experimental value of the parameter (for a given temperature).

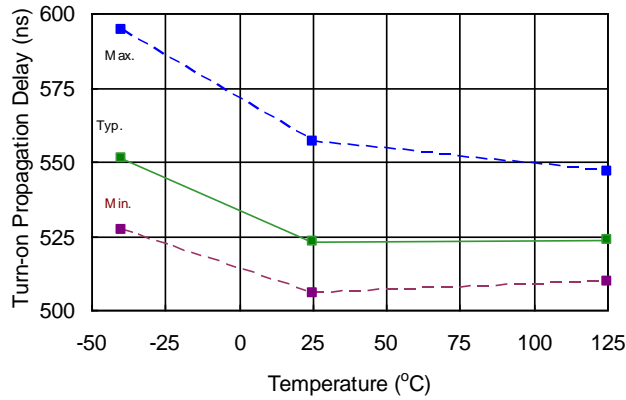


Fig. 27. Turn-on Propagation Delay vs. Temperature

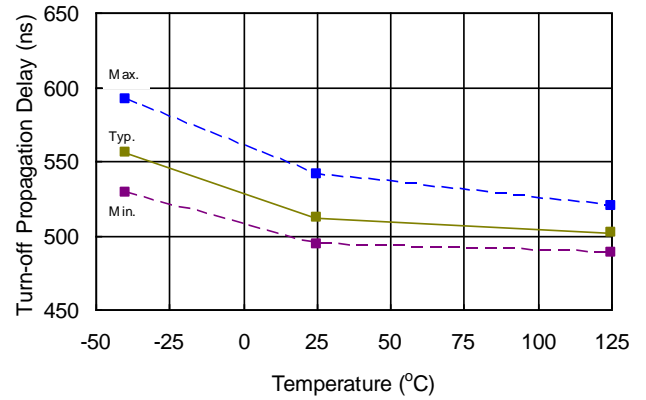


Fig. 28. Turn-off Propagation Delay vs. Temperature

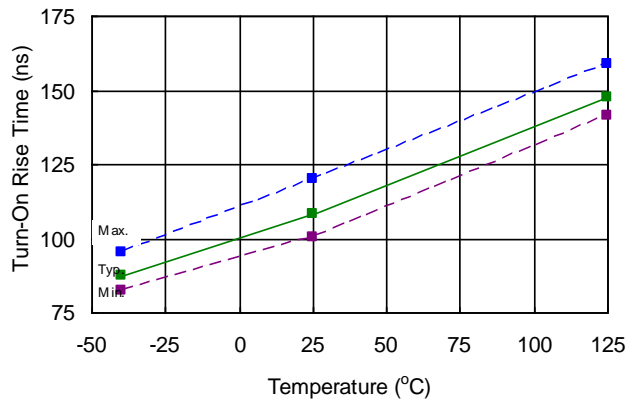


Fig. 29. Turn-on Rise Time vs. Temperature

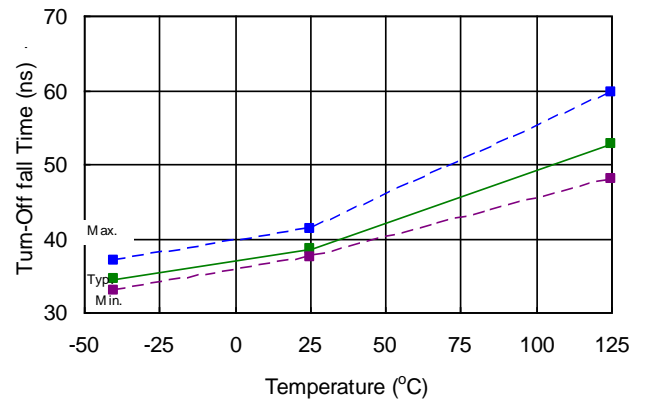


Fig. 30. Turn-off Fall Time vs. Temperature

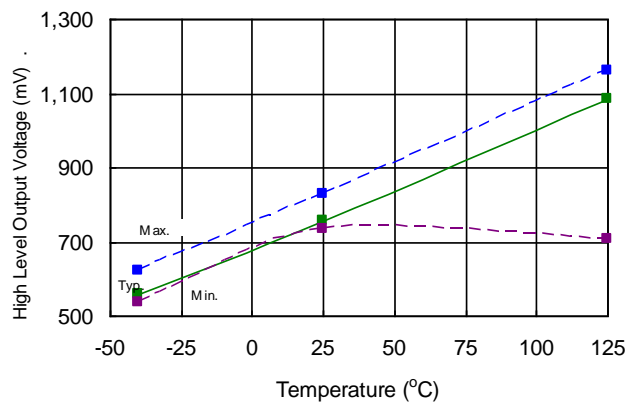


Fig. 31. High Level Output Voltage ($I_o = 20\text{mA}$) vs. Temperature

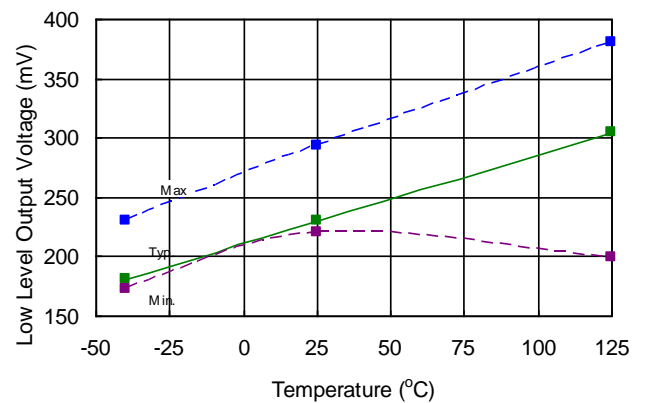


Fig. 32. Low Level Output Voltage ($I_o = 20\text{mA}$) vs. Temperature

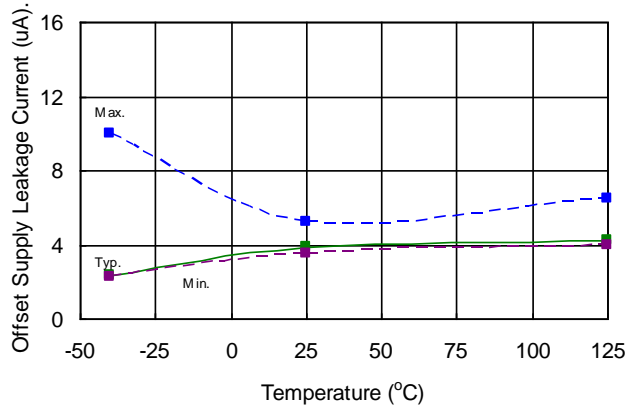


Fig. 33. Offset Supply Leakage Current vs. Temperature

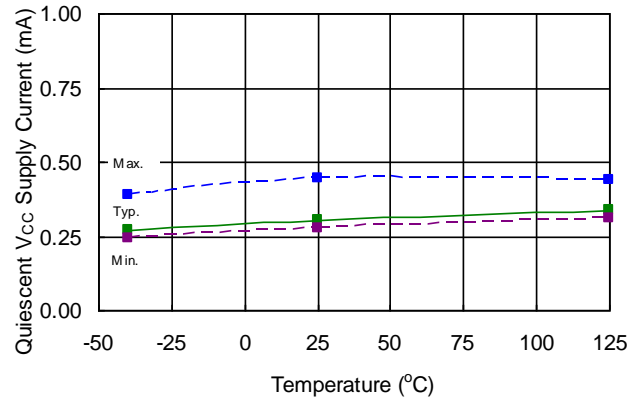


Fig. 34. Quiescent VCC Supply Current vs. Temperature

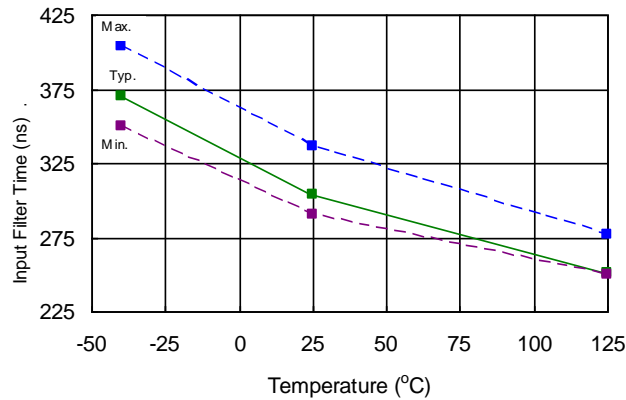


Fig. 35. Input Filter Delay Time vs. Temperature

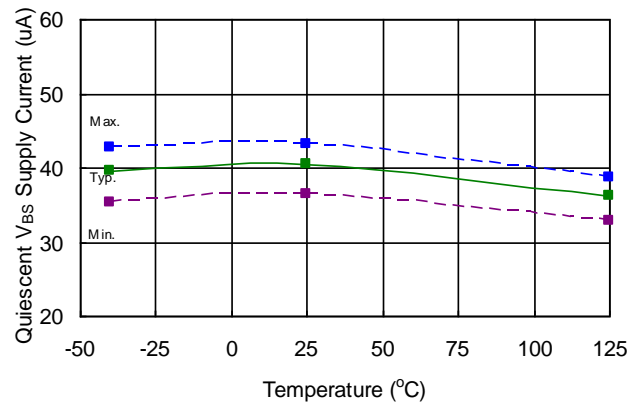


Fig. 36. Quiescent VBS Supply Current vs. Temperature

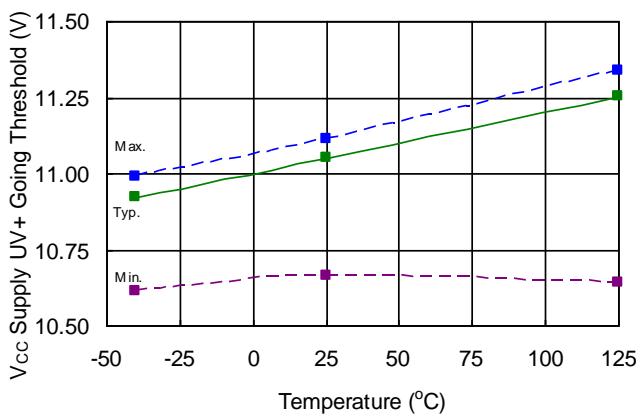


Fig. 37. VCC Supply Under-voltage Positive Going Threshold vs. Temperature

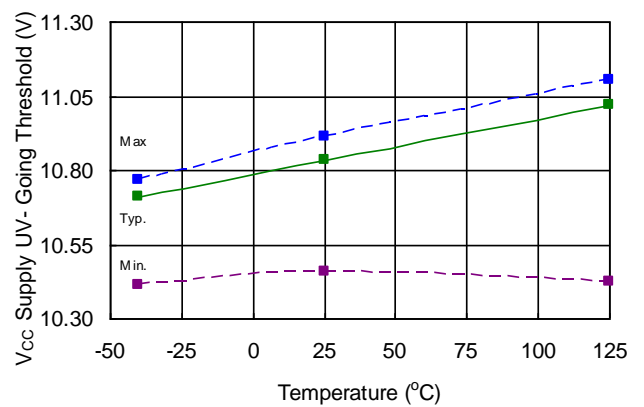


Fig. 38. VCC Supply Under-voltage Negative Going Threshold vs. Temperature

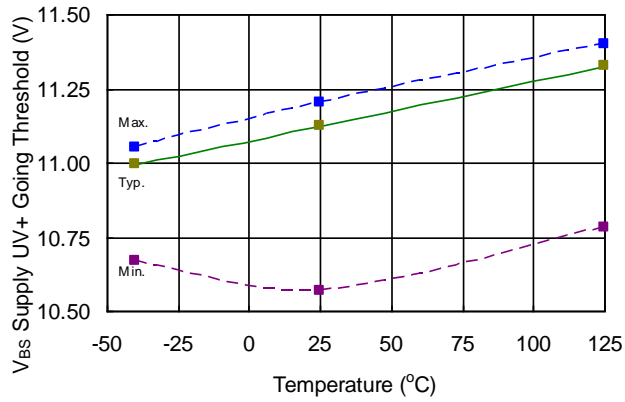


Fig. 39. VBS Supply Under-voltage Positive Going Threshold vs. Temperature

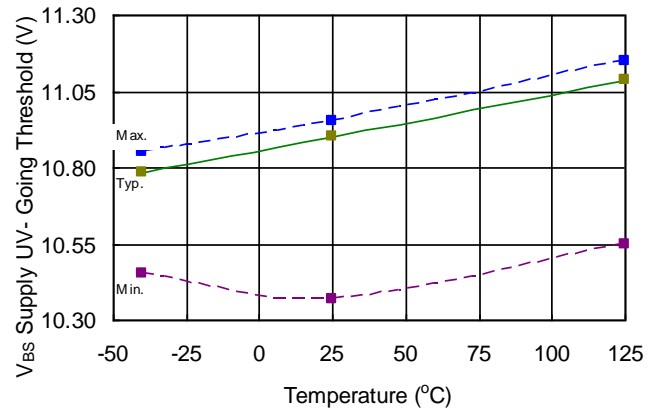


Fig. 40. VBS Supply Under-voltage Negative Going Threshold vs. Temperature

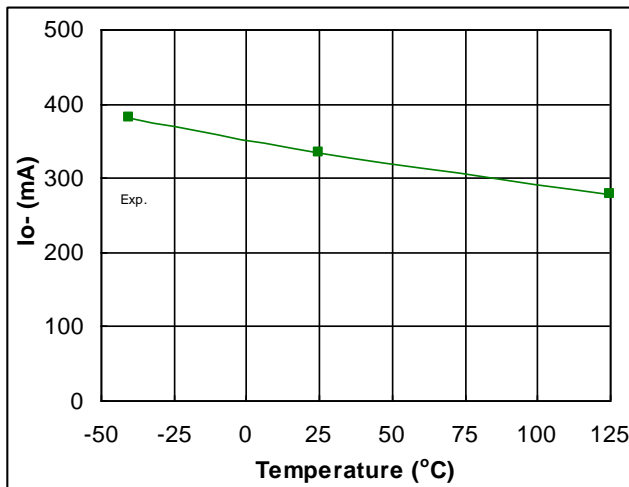


Fig. 41. Output Low Short Circuit Pulsed Current vs. Temperature

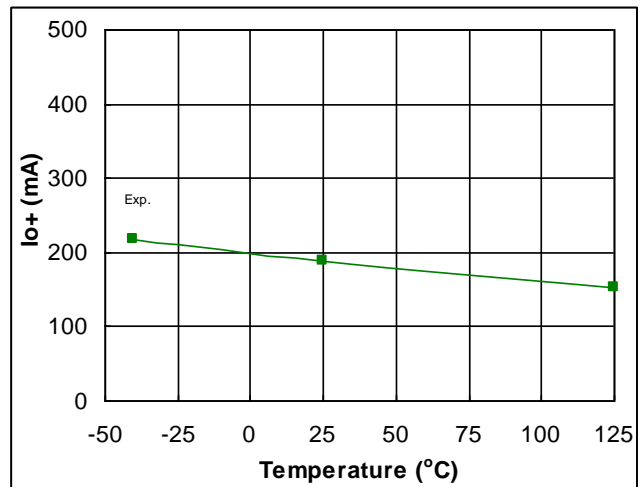
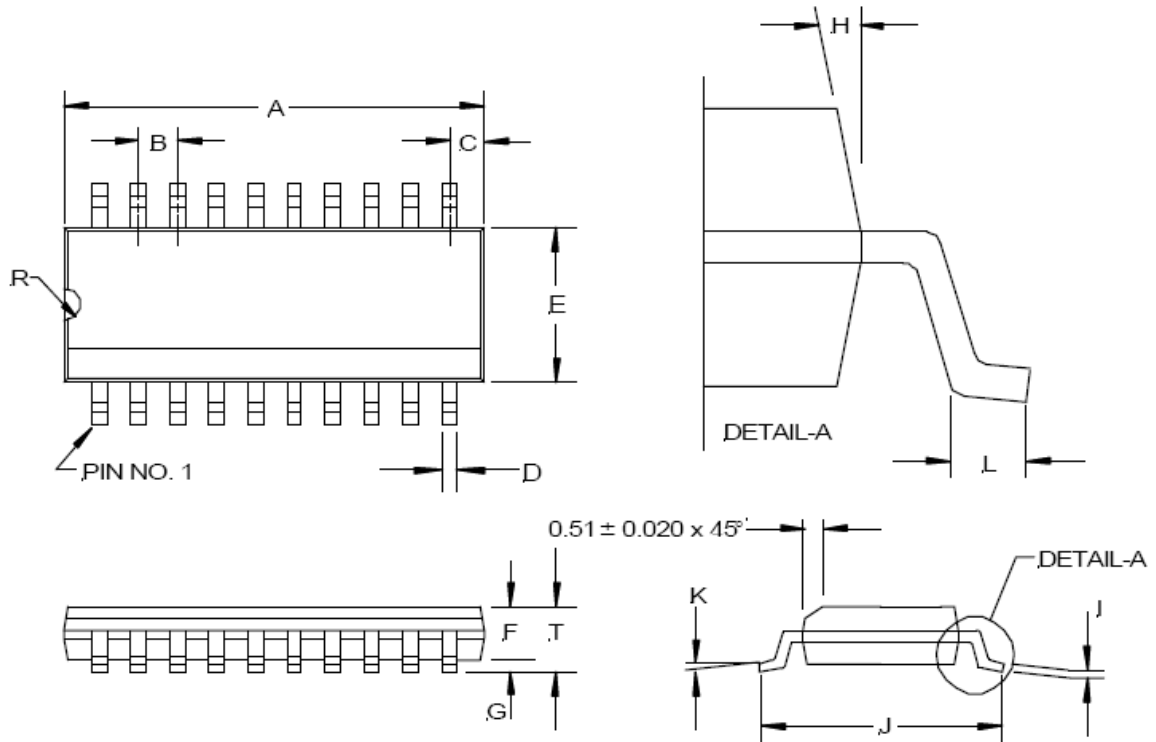


Fig. 42. Output High Short Circuit Pulsed Current vs. Temperature

Package Details

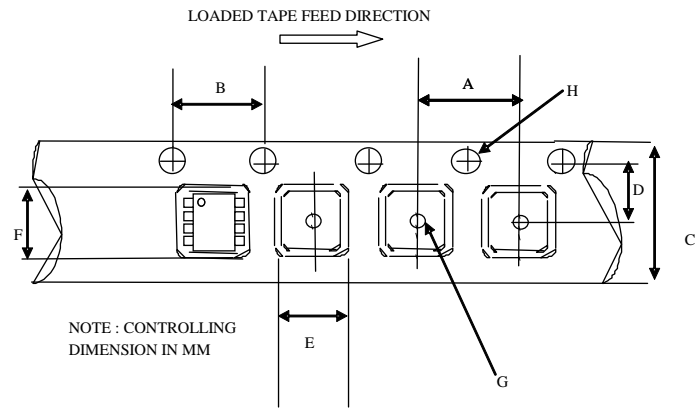
**(W) SOIC Package
 20-Pin Surface Mount, Wide Body**



SYMBOL	20-PIN	
	MIN	MAX
A	12.598	12.979
B	1.018	1.524
C	0.66 REF	
D	0.33	0.508
E	7.40	7.60
F	2.032	2.64
G	0.10	0.30
I	0.229	0.32
J	10.008	10.654
K	0°	8°
L	0.406	1.270
R	0.63	0.89
T	2.337	2.642

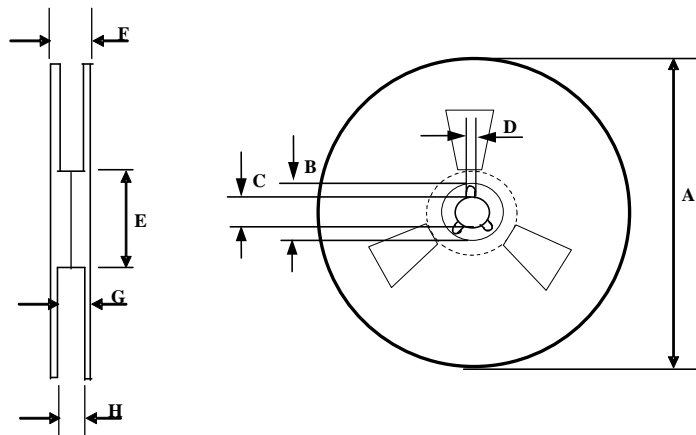
NOTE: ALL MEASUREMENTS ARE IN MILLIMETERS.

Tape and Reel Details



CARRIER TAPE DIMENSION FOR 20SOICW

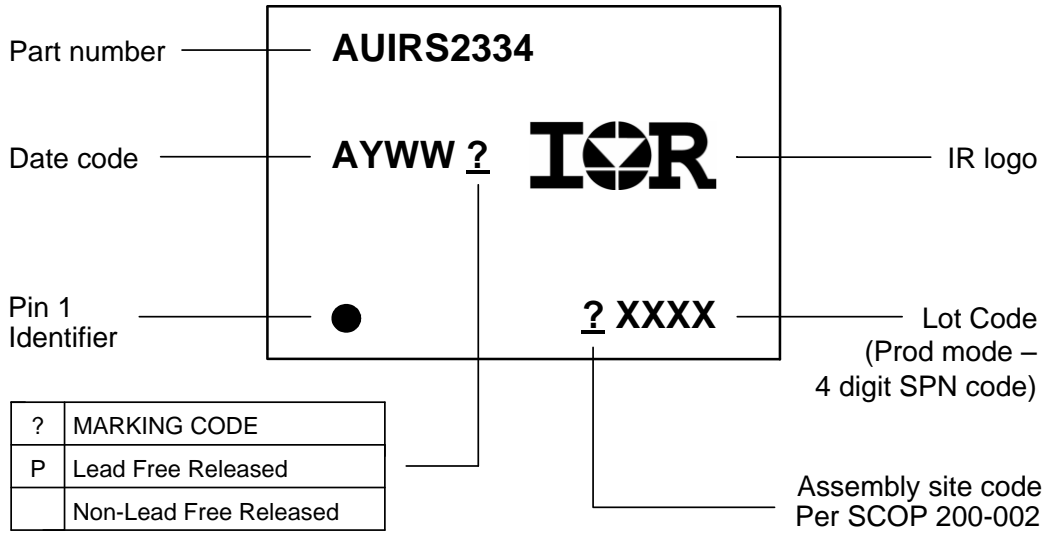
Cod	Metri		Imperial	
	Mi	Ma	Min	Ma
A	11.9	12.1	0.46	0.47
B	3.9	4.1	0.15	0.16
C	23.7	24.3	0.93	0.95
D	11.4	11.6	0.44	0.45
E	10.8	11.0	0.42	0.43
F	13.2	13.4	0.52	0.52
G	1.5	n/	0.05	n/
H	1.5	1.6	0.05	0.06



REEL DIMENSIONS FOR 20SOICW

Cod	Metri		Imperial	
	Mi	Ma	Min	Ma
A	329.6	330.2	12.97	13.00
B	20.9	21.4	0.82	0.84
C	12.8	13.2	0.50	0.51
D	1.9	2.4	0.76	0.09
E	98.0	102.0	3.85	4.01
F	n/	30.4	n/	1.19
G	26.5	29.1	1.0	1.14
H	24.4	26.4	0.9	1.03

Part Marking Information



Ordering Information

Base Part Number	Package Type	Standard Pack		Complete Part Number
		Form	Quantity	
AUIRS2334	SOIC20W	Tube/Bulk	36	AUIRS2334S
		Tape and Reel	1000	AUIRS2334STR

IMPORTANT NOTICE

Unless specifically designated for the automotive market, International Rectifier Corporation and its subsidiaries (IR) reserve the right to make corrections, modifications, enhancements, improvements, and other changes to its products and services at any time and to discontinue any product or services without notice. Part numbers designated with the "AU" prefix follow automotive industry and / or customer specific requirements with regards to product discontinuance and process change notification. All products are sold subject to IR's terms and conditions of sale supplied at the time of order acknowledgment.

IR warrants performance of its hardware products to the specifications applicable at the time of sale in accordance with IR's standard warranty. Testing and other quality control techniques are used to the extent IR deems necessary to support this warranty. Except where mandated by government requirements, testing of all parameters of each product is not necessarily performed.

IR assumes no liability for applications assistance or customer product design. Customers are responsible for their products and applications using IR components. To minimize the risks with customer products and applications, customers should provide adequate design and operating safeguards.

Reproduction of IR information in IR data books or data sheets is permissible only if reproduction is without alteration and is accompanied by all associated warranties, conditions, limitations, and notices. Reproduction of this information with alterations is an unfair and deceptive business practice. IR is not responsible or liable for such altered documentation. Information of third parties may be subject to additional restrictions.

Resale of IR products or serviced with statements different from or beyond the parameters stated by IR for that product or service voids all express and any implied warranties for the associated IR product or service and is an unfair and deceptive business practice. IR is not responsible or liable for any such statements.

IR products are not designed, intended, or authorized for use as components in systems intended for surgical implant into the body, or in other applications intended to support or sustain life, or in any other application in which the failure of the IR product could create a situation where personal injury or death may occur. Should Buyer purchase or use IR products for any such unintended or unauthorized application, Buyer shall indemnify and hold International Rectifier and its officers, employees, subsidiaries, affiliates, and distributors harmless against all claims, costs, damages, and expenses, and reasonable attorney fees arising out of, directly or indirectly, any claim of personal injury or death associated with such unintended or unauthorized use, even if such claim alleges that IR was negligent regarding the design or manufacture of the product.

Only products certified as military grade by the Defense Logistics Agency (DLA) of the US Department of Defense, are designed and manufactured to meet DLA military specifications required by certain military, aerospace or other applications. Buyers acknowledge and agree that any use of IR products not certified by DLA as military-grade, in applications requiring military grade products, is solely at the Buyer's own risk and that they are solely responsible for compliance with all legal and regulatory requirements in connection with such use.

IR products are neither designed nor intended for use in automotive applications or environments unless the specific IR products are designated by IR as compliant with ISO/TS 16949 requirements and bear a part number including the designation "AU". Buyers acknowledge and agree that, if they use any non-designated products in automotive applications, IR will not be responsible for any failure to meet such requirements.

For technical support, please contact IR's Technical Assistance Center

<http://www.irf.com/technical-info/>

WORLD HEADQUARTERS:

101 N. Sepulveda Blvd., El Segundo, California 90245
Tel: (310) 252-7105

Looking for pricing, stock, or lifecycle information?

Click below to explore more details on WIN SOURCE:

 [View AUIRS2334S](#) on WIN SOURCE

 [Infineon Technologies](#) Information

Optimize Your Supply Chain with WIN SOURCE Solutions

-  Global Sourcing Solution
-  Obsolete Management
-  Cost Control Management
-  Shortage Management
-  Alternative Solution
-  Excess Inventory Management