



**THE DATASHEET OF  
TLC320AC01CPMR**



# ***TLC320AC01C*** ***Data Manual***

## ***Single-Supply Analog Interface Circuit***

*SLAS057D*  
*October 1996*



## **IMPORTANT NOTICE**

Texas Instruments (TI) reserves the right to make changes to its products or to discontinue any semiconductor product or service without notice, and advises its customers to obtain the latest version of relevant information to verify, before placing orders, that the information being relied on is current.

TI warrants performance of its semiconductor products and related software to the specifications applicable at the time of sale in accordance with TI's standard warranty. Testing and other quality control techniques are utilized to the extent TI deems necessary to support this warranty. Specific testing of all parameters of each device is not necessarily performed, except those mandated by government requirements.

Certain applications using semiconductor products may involve potential risks of death, personal injury, or severe property or environmental damage ("Critical Applications").

**TI SEMICONDUCTOR PRODUCTS ARE NOT DESIGNED, INTENDED, AUTHORIZED, OR WARRANTED TO BE SUITABLE FOR USE IN LIFE-SUPPORT APPLICATIONS, DEVICES OR SYSTEMS OR OTHER CRITICAL APPLICATIONS.**

Inclusion of TI products in such applications is understood to be fully at the risk of the customer. Use of TI products in such applications requires the written approval of an appropriate TI officer. Questions concerning potential risk applications should be directed to TI through a local SC sales office.

In order to minimize risks associated with the customer's applications, adequate design and operating safeguards should be provided by the customer to minimize inherent or procedural hazards.

TI assumes no liability for applications assistance, customer product design, software performance, or infringement of patents or services described herein. Nor does TI warrant or represent that any license, either express or implied, is granted under any patent right, copyright, mask work right, or other intellectual property right of TI covering or relating to any combination, machine, or process in which such semiconductor products or services might be or are used.

# Contents

| <i>Section</i> | <i>Title</i>  | <i>Page</i> |
|----------------|---|-------------|
| <b>1</b>       | <b>Introduction</b>   | <b>1-1</b>  |
| 1.1            | Features  | 1-2         |
| 1.2            | Functional Block Diagram  | 1-3         |
| 1.3            | Terminal Assignments  | 1-3         |
| 1.4            | Terminal Functions  | 1-5         |
| 1.5            | Register Functional Summary   | 1-8         |
| <b>2</b>       | <b>Detailed Description</b>   | <b>2-1</b>  |
| 2.1            | Definitions and Terminology   | 2-1         |
| 2.2            | Reset and Power-Down Functions  | 2-2         |
| 2.2.1          | Reset   | 2-2         |
| 2.2.2          | Conditions of Reset   | 2-2         |
| 2.2.3          | Software and Hardware Power-Down  | 2-2         |
| 2.2.4          | Register Default Values After POR,<br>Software Reset, or $\overline{\text{RESET}}$ Is Applied | 2-2         |
| 2.3            | Master-Slave Terminal Function  | 2-4         |
| 2.4            | ADC Signal Channel  | 2-4         |
| 2.5            | DAC Signal Channel  | 2-4         |
| 2.6            | Serial Interface  | 2-4         |
| 2.7            | Number of Slaves  | 2-5         |
| 2.8            | Required Minimum Number of MCLK Periods   | 2-6         |
| 2.8.1          | TLC320AC01 AIC Master-Slave Summary   | 2-6         |
| 2.8.2          | Notes on TLC320AC01/02 AIC Master-Slave Operation   | 2-7         |
| 2.9            | Operating Frequencies   | 2-9         |
| 2.9.1          | Master and Stand-Alone Operating Frequencies  | 2-9         |
| 2.9.2          | Slave and Codec Operating Frequencies   | 2-9         |
| 2.10           | Switched-Capacitor Filter Frequency (FCLK)  | 2-9         |
| 2.11           | Filter Bandwidths   | 2-9         |
| 2.12           | Master and Stand-Alone Modes  | 2-9         |
| 2.12.1         | Register Programming  | 2-9         |
| 2.12.2         | Master and Stand-Alone Functional Sequence  | 2-10        |
| 2.13           | Slave and Codec Modes   | 2-10        |
| 2.13.1         | Slave and Codec Functional Sequence   | 2-11        |
| 2.13.2         | Slave Register Programming  | 2-11        |
| 2.14           | Terminal Functions  | 2-11        |
| 2.14.1         | Frame-Sync Function   | 2-11        |
| 2.14.2         | Data Out (DOUT)   | 2-12        |
| 2.14.3         | Data In (DIN)   | 2-12        |
| 2.14.4         | Hardware Program Terminals (FC1 and FC0)  | 2-12        |
| 2.14.5         | Midpoint Voltages (ADC $V_{\text{MID}}$ and DAC $V_{\text{MID}}$ )                            | 2-13        |
| 2.15           | Device Functions  | 2-13        |
| 2.15.1         | Phase Adjustment  | 2-13        |
| 2.15.2         | Analog Loopback   | 2-14        |

## Contents (Continued)

| <i>Section</i> | <i>Title</i>   | <i>Page</i> |
|----------------|--|-------------|
| 2.15.3         | 16-Bit Mode .....  | 2-14        |
| 2.15.4         | Free-Run Mode .....  | 2-14        |
| 2.15.5         | Force Secondary Communication .....  | 2-14        |
| 2.15.6         | Enable Analog Input Summing .....  | 2-15        |
| 2.15.7         | DAC Channel (sin x)/x Error Correction .....   | 2-15        |
| 2.16           | Serial Communications .....  | 2-15        |
| 2.16.1         | Stand-Alone and Master-Mode Word Sequence and<br>Information Content During Primary and<br>Secondary Communications .....  | 2-15        |
| 2.16.2         | Slave and Codec-Mode Word Sequence and<br>Information Content During Primary and<br>Secondary Communications .....   | 2-16        |
| 2.17           | Request for Secondary Serial Communication and Phase Shift .....   | 2-17        |
| 2.17.1         | Initiating a Request .....   | 2-17        |
| 2.17.2         | Normal Combinations of Control .....   | 2-17        |
| 2.17.3         | Additional Control Options .....   | 2-17        |
| 2.18           | Primary Serial Communications .....  | 2-18        |
| 2.18.1         | Primary Serial Communications Data Format .....  | 2-19        |
| 2.18.2         | Data Format From DOUT During<br>Primary Serial Communications .....  | 2-19        |
| 2.19           | Secondary Serial Communications .....  | 2-19        |
| 2.19.1         | Data Format to DIN During Secondary Serial Communications .....  | 2-19        |
| 2.19.2         | Control Data-Bit Function in Secondary Serial Communication .....  | 2-19        |
| 2.20           | Internal Register Format .....   | 2-20        |
| 2.20.1         | Pseudo-Register 0 (No-Op Address) .....  | 2-20        |
| 2.20.2         | Register 1 (A Register) .....  | 2-20        |
| 2.20.3         | Register 2 (B Register) .....  | 2-21        |
| 2.20.4         | Register 3 (A' Register) .....   | 2-21        |
| 2.20.5         | Register 4 (Amplifier Gain-Select Register) .....  | 2-22        |
| 2.20.6         | Register 5 (Analog Configuration Register) .....   | 2-22        |
| 2.20.7         | Register 6 (Digital Configuration Register) .....  | 2-23        |
| 2.20.8         | Register 7 (Frame-Sync Delay Register) .....   | 2-23        |
| 2.20.9         | Register 8 (Frame-Sync Number Register) .....  | 2-24        |
| <b>3</b>       | <b>Specifications .....</b>  | <b>3-1</b>  |
| 3.1            | Absolute Maximum Ratings Over Operating<br>Free-Air Temperature Range .....  | 3-1         |
| 3.2            | Recommended Operating Conditions .....   | 3-1         |
| 3.3            | Electrical Characteristics Over Recommended Range of Operating<br>Free-Air Temperature, MCLK = 5.184 MHz, V <sub>DD</sub> = 5 V, Outputs<br>Unloaded, Total Device .....   | 3-2         |
| 3.4            | Electrical Characteristics Over Recommended Range of Operating<br>Free-Air Temperature, V <sub>DD</sub> = 5 V, Digital I/O Terminals (DIN, DOUT, EOC,<br>FC0, FC1, $\overline{FS}$ , $\overline{FSD}$ , MCLK, M $\overline{S}$ , SCLK) ..... | 3-2         |

## Contents (Continued)

| <i>Section</i>    | <i>Title</i>  | <i>Page</i> |
|-------------------|---|-------------|
| 3.5               | Electrical Characteristics Over Recommended Range of Operating Free-Air Temperature, $V_{DD} = 5\text{ V}$ , ADC and DAC Channels ..... | 3–2         |
| 3.5.1             | ADC Channel Filter Transfer Function, FCLK = 144 kHz, $f_s = 8\text{ kHz}$ .....  | 3–2         |
| 3.5.2             | ADC Channel Input, $V_{DD} = 5\text{ V}$ , Input Amplifier Gain = 0 dB .....  | 3–3         |
| 3.5.3             | ADC Channel Signal-to-Distortion Ratio, $V_{DD} = 5\text{ V}$ , $f_s = 8\text{ kHz}$ .....  | 3–3         |
| 3.5.4             | DAC Channel Filter Transfer Function, FCLK = 144 kHz, $f_s = 9.6\text{ kHz}$ , $V_{DD} = 5\text{ V}$ .....                              | 3–3         |
| 3.5.5             | DAC Channel Signal-to-Distortion Ratio, $V_{DD} = 5\text{ V}$ , $f_s = 8\text{ kHz}$ .....  | 3–4         |
| 3.5.6             | System Distortion, $V_{DD} = 5\text{ V}$ , $f_s = 8\text{ kHz}$ , FCLK = 144 kHz .....  | 3–4         |
| 3.5.7             | Noise, Low-Pass and Band-Pass Switched-Capacitor Filters Included, $V_{DD} = 5\text{ V}$ .....  | 3–5         |
| 3.5.8             | Absolute Gain Error, $V_{DD} = 5\text{ V}$ , $f_s = 8\text{ kHz}$ .....   | 3–5         |
| 3.5.9             | Relative Gain and Dynamic Range, $V_{DD} = 5\text{ V}$ , $f_s = 8\text{ kHz}$ .....   | 3–5         |
| 3.5.10            | Power-Supply Rejection, $V_{DD} = 5\text{ V}$ .....   | 3–6         |
| 3.5.11            | Crosstalk Attenuation, $V_{DD} = 5\text{ V}$ .....  | 3–6         |
| 3.5.12            | Monitor Output Characteristics, $V_{DD} = 5\text{ V}$ .....   | 3–7         |
| 3.6               | Timing Requirements and Specifications in Master Mode .....   | 3–8         |
| 3.6.1             | Recommended Input Timing Requirements for Master Mode, $V_{DD} = 5\text{ V}$ .....  | 3–8         |
| 3.6.2             | Operating Characteristics Over Recommended Range of Operating Free-Air Temperature, $V_{DD} = 5\text{ V}$ .....                         | 3–8         |
| 3.7               | Timing Requirements and Specifications in Slave Mode and Codec Emulation Mode .....   | 3–9         |
| 3.7.1             | Recommended Input Timing Requirements for Slave Mode, $V_{DD} = 5\text{ V}$ .....   | 3–9         |
| 3.7.2             | Operating Characteristics Over Recommended Range of Operating Free-Air Temperature, $V_{DD} = 5\text{ V}$ .....                         | 3–9         |
| <b>4</b>          | <b>Parameter Measurement Information .....</b>  | <b>4–1</b>  |
| <b>5</b>          | <b>Typical Characteristics .....</b>  | <b>5–1</b>  |
| <b>6</b>          | <b>Application Information .....</b>  | <b>6–1</b>  |
| <b>Appendix A</b> | <b>Primary Control Bits .....</b>   | <b>A–1</b>  |
| <b>Appendix B</b> | <b>Secondary Communications .....</b>   | <b>B–1</b>  |
| <b>Appendix C</b> | <b>TLC320AC01C/TLC320AC02C Specification Comparisons .....</b>  | <b>C–1</b>  |
| <b>Appendix D</b> | <b>Multiple TLC320AC01/TLC320AC02 Analog Interface Circuits on One TMS320C5X DSP Serial Port .....</b>                                  | <b>D–1</b>  |
| <b>Appendix E</b> | <b>Mechanical Data .....</b>  | <b>E–1</b>  |

## List of Illustrations

| <i>Figure</i> | <i>Title</i>   | <i>Page</i> |
|---------------|--|-------------|
| 1-1           | Control Flow Diagram .....   | 1-7         |
| 2-1           | Functional Sequence for Primary and Secondary Communication .....                                | 2-5         |
| 2-2           | Timing Sequence .....  | 2-6         |
| 2-3           | Master and Stand-Alone Functional Sequence .....   | 2-16        |
| 2-4           | Slave and Codec Functional Sequence .....  | 2-16        |
| 4-1           | IN+ and IN- Gain-Control Circuitry .....   | 4-1         |
| 4-2           | AIC Stand-Alone and Master-Mode Timing .....   | 4-2         |
| 4-3           | AIC Slave and Codec Emulation Mode .....   | 4-2         |
| 4-4           | Master or Stand-Alone $\overline{FS}$ and $\overline{FSD}$ Timing .....                          | 4-3         |
| 4-5           | Slave $\overline{FS}$ to $\overline{FSD}$ Timing .....   | 4-3         |
| 4-6           | Slave SCLK to $\overline{FSD}$ Timing .....  | 4-3         |
| 4-7           | DOUT Enable Timing From Hi-Z .....   | 4-4         |
| 4-8           | DOUT Delay Timing to Hi-Z .....  | 4-4         |
| 4-9           | EOC Frame Timing .....   | 4-4         |
| 4-10          | Master-Slave Frame-Sync Timing After a Delay Has Been<br>Programmed Into the FSD Registers ..... | 4-5         |
| 4-11          | Master and Slave Frame-Sync Sequence with One Slave .....  | 4-5         |
| 6-1           | Stand-Alone Mode (to DSP Interface) .....  | 6-1         |
| 6-2           | Codec Mode (to DSP Interface) .....  | 6-1         |
| 6-3           | Master With Slave (to DSP Interface) .....   | 6-2         |
| 6-4           | Single-Ended Input (Ground Referenced) .....   | 6-2         |
| 6-5           | Single-Ended to Differential Input (Ground Referenced) .....                                     | 6-3         |
| 6-6           | Differential Load .....  | 6-3         |
| 6-7           | Differential Output Drive (Ground Referenced) .....  | 6-3         |
| 6-8           | Low-Impedance Output Drive .....   | 6-4         |
| 6-9           | Single-Ended Output Drive (Ground Referenced) .....  | 6-4         |

## List of Tables

| <i>Table</i> | <i>Title</i>   | <i>Page</i> |
|--------------|--|-------------|
| 1-1          | Operating Frequencies .....  | 1-7         |
| 2-1          | Master-Slave Selection .....   | 2-4         |
| 2-2          | Sampling Variation With A' .....   | 2-13        |
| 2-3          | Software and Hardware Requests for Secondary Serial-Communication and<br>Phase-Shift Truth Table .....   | 2-18        |
| 4-1          | Gain Control (Analog Input Signal Required for<br>Full-Scale Bipolar A/D-Conversion 2s Complement) ..... | 4-1         |

## 1 Introduction

The TLC320AC01<sup>†</sup> analog interface circuit (AIC) is an audio-band processor that provides an analog-to-digital and digital-to-analog input/output interface system on a single monolithic CMOS chip. This device integrates a band-pass switched-capacitor antialiasing input filter, a 14-bit-resolution analog-to-digital converter (ADC), a 14-bit-resolution digital-to-analog converter (DAC), a low-pass switched-capacitor output-reconstruction filter,  $(\sin x)/x$  compensation, and a serial port for data and control transfers.

The internal circuit configuration and performance parameters are determined by reading control information into the eight available data registers. The register data sets up the device for a given mode of operation and application.

The major functions of the TLC320AC01 are:

1. To convert audio-signal data to digital format by the ADC channel
2. To provide the interface and control logic to transfer data between its serial input and output terminals and a digital signal processor (DSP) or microprocessor
3. To convert received digital data back to an audio signal through the DAC channel

The antialiasing input low-pass filter is a switched-capacitor filter with a sixth-order elliptic characteristic. The high-pass filter is a single-pole filter to preserve low-frequency response as the low-pass filter cutoff is adjusted. There is a three-pole continuous-time filter that precedes this filter to eliminate any aliasing caused by the filter clock signal.

The output-reconstruction switched-capacitor filter is a sixth-order elliptic transitional low-pass filter followed by a second-order  $(\sin x)/x$  correction filter. This filter is followed by a three-pole continuous-time filter to eliminate images of the filter clock signal.

The TLC320AC01 consists of two signal-processing channels, an ADC channel and a DAC channel, and the associated digital control. The two channels operate synchronously; data reception at the DAC channel and data transmission from the ADC channel occur during the same time interval. The data transfer is in 2s-complement format.

There are three basic modes of operation available: the stand-alone analog-interface mode, the master-slave mode, and the linear-codec mode. In the stand-alone mode, the TLC320AC01 generates the shift clock and frame synchronization for the data transfers and is the only AIC used. The master-slave mode has one TLC320AC01 as the master that generates the master-shift clock and frame synchronization; the remaining AICs are slaves to these signals. In the linear-codec mode, the shift clock and the frame-synchronization signals are externally generated and the timing can be any of the standard codec-timing patterns.

Typical applications for this device include modems, speech processing, analog interface for DSPs, industrial-process control, acoustical-signal processing, spectral analysis, data acquisition, and instrumentation recorders.

The TLC320AC01C is characterized for operation from 0°C to 70°C.

<sup>†</sup> The TLC320AC01 is functionally equivalent to the TLC320AC02 and differs in the electrical specifications as shown in Appendix C.

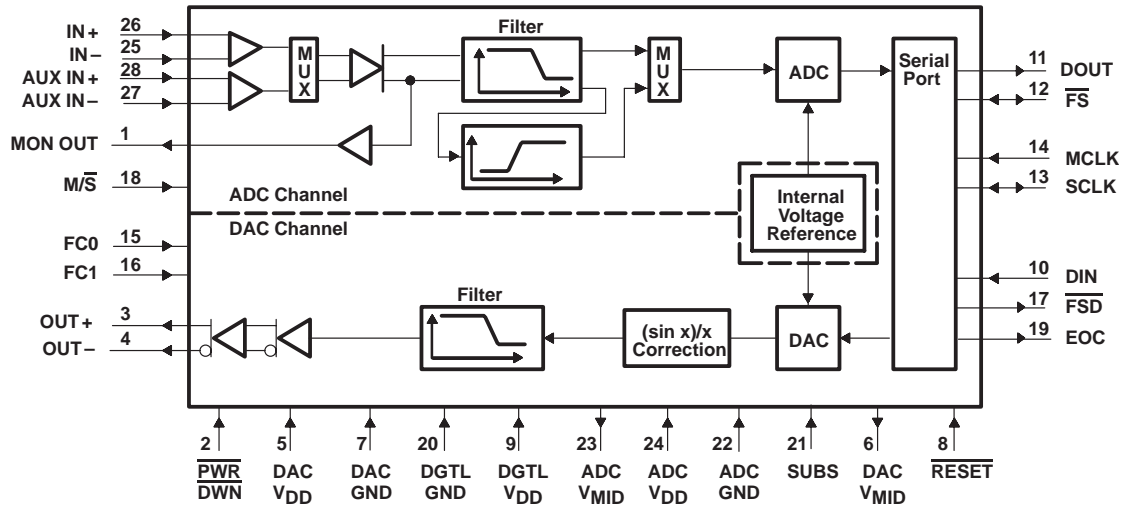
## 1.1 Features

- General-Purpose Signal-Processing Analog Front End (AFE)
- Single 5-V Power Supply
- Power Dissipation . . . 100 mW Typ
- Signal-to-Distortion Ratio . . . 70 dB Typ
- Programmable Filter Bandwidths (Up to 10.8 kHz) and Synchronous ADC and DAC Sampling
- Serial-Port Interface
- Monitor Output With Programmable Gains of 0 dB, –8 dB, –18 dB, and Squelch
- Two Sets of Differential Inputs With Programmable Gains of 0 dB, 6 dB, 12 dB, and Squelch
- Differential or Single-Ended Analog Output With Programmable Gains of 0 dB, –6 dB, –12 dB, and Squelch
- Differential Outputs Drive 3-V Peak Into a 600- $\Omega$  Differential Load
- Differential Architecture Throughout
- 1- $\mu$ m Advanced LinEPIC™ Process
- 14-Bit Dynamic-Range ADC and DAC
- 2s-Complement Data Format
- Application Report Available†

† Designing with the TLC320AC01 Analog Interface for DSPs (SLAA006)

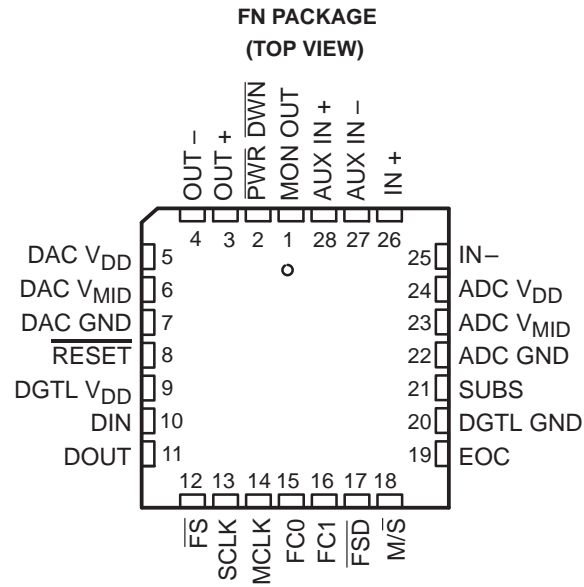
LinEPIC is a trademark of Texas Instruments Incorporated.

## 1.2 Functional Block Diagram

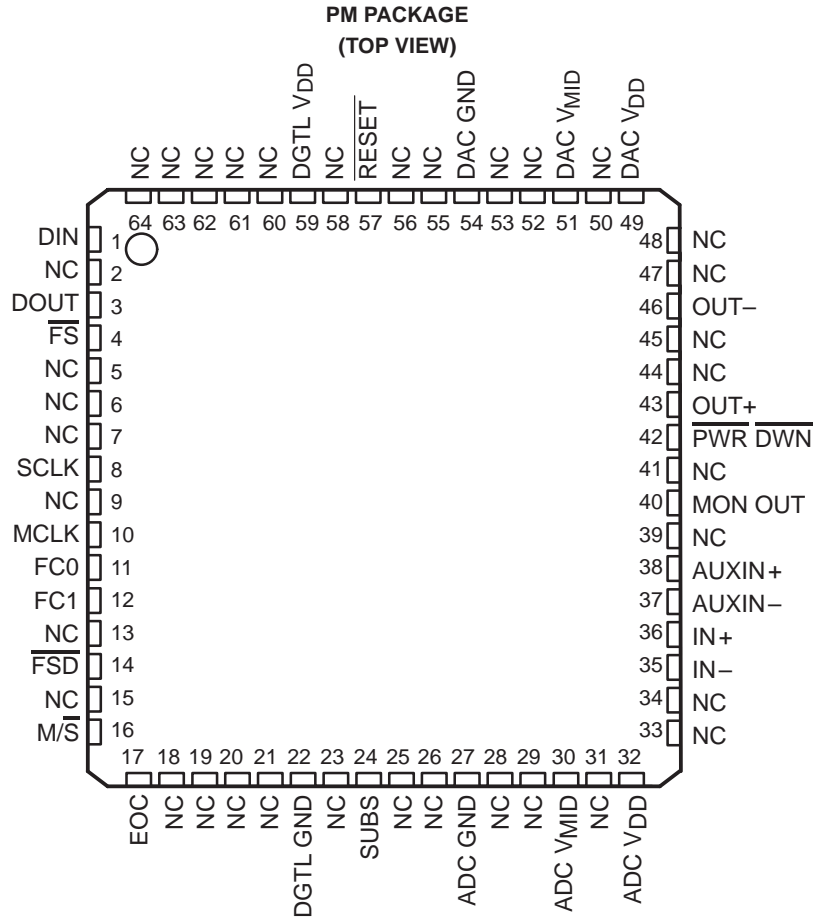


Terminal numbers shown are for the FN package.

## 1.3 Terminal Assignments



### 1.3 Terminal Assignments (Continued)



NC – No internal connection

## 1.4 Terminal Functions

| TERMINAL                |      |      | I/O | DESCRIPTION  |
|-------------------------|------|------|-----|--|
| NAME                    | NO.† | NO.‡ |     |  |
| ADC V <sub>DD</sub>     | 24   | 32   | I   | Analog supply voltage for the ADC channel  |
| ADC V <sub>MID</sub>    | 23   | 30   | O   | Midsupply for the ADC channel (requires a bypass capacitor). ADC V <sub>MID</sub> must be buffered when used as an external reference.   |
| ADC GND                 | 22   | 27   | I   | Analog ground for the ADC channel  |
| AUX IN+                 | 28   | 38   | I   | Noninverting input to auxiliary analog input amplifier   |
| AUX IN–                 | 27   | 37   | I   | Inverting input to auxiliary analog input amplifier  |
| DAC V <sub>DD</sub>     | 5    | 49   | I   | Analog supply voltage for the DAC channel  |
| DAC V <sub>MID</sub>    | 6    | 51   | O   | Midsupply for the DAC channel (requires a bypass capacitor). DAC V <sub>MID</sub> must be buffered when used as an external reference.   |
| DAC GND                 | 7    | 54   | I   | Analog ground for the DAC channel  |
| DIN                     | 10   | 1    | I   | Data input. DIN receives the DAC input data and command information and is synchronized with SCLK.   |
| DOUT                    | 11   | 3    | O   | Data output. DOUT outputs the ADC data results and register read contents. DOUT is synchronized with SCLK.   |
| DGTL V <sub>DD</sub>    | 9    | 59   | I   | Digital supply voltage for control logic   |
| DGTL GND                | 20   | 22   | I   | Digital ground for control logic   |
| EOC                     | 19   | 17   | O   | End-of-conversion output. EOC goes high at the start of the ADC conversion period and low when conversion is complete. EOC remains low until the next ADC conversion period begins and indicates the internal device conversion period.  |
| FC0                     | 15   | 11   | I   | Hardware control input. FC0 is used in conjunction with FC1 to request secondary communication and phase adjustments. FC0 should be tied low if it is not used.  |
| FC1                     | 16   | 12   | I   | Hardware control input. FC1 is used in conjunction with FC0 to request secondary communication and phase adjustments. FC1 should be tied low if it is not used.  |
| $\overline{\text{FS}}$  | 12   | 4    | I/O | Frame synchronization. When $\overline{\text{FS}}$ goes low, DIN begins receiving data bits and DOUT begins transmitting data bits. In master mode, $\overline{\text{FS}}$ is low during the simultaneous 16-bit transmission to DIN and from DOUT. In slave mode, $\overline{\text{FS}}$ is externally generated and must be low for one shift-clock period minimum to initiate the data transfer.        |
| $\overline{\text{FSD}}$ | 17   | 14   | O   | Frame-synchronization delayed output. This active-low output synchronizes a slave device to the frame synchronization timing of the master device. $\overline{\text{FSD}}$ is applied to the slave $\overline{\text{FS}}$ input and is the same duration as the master $\overline{\text{FS}}$ signal but delayed in time by the number of shift clocks programmed in the $\overline{\text{FSD}}$ register. |
| IN+                     | 26   | 36   | I   | Noninverting input to analog input amplifier   |
| IN–                     | 25   | 35   | I   | Inverting input to analog input amplifier  |
| MCLK                    | 14   | 10   | I   | The master-clock input drives all the key logic signals of the AIC.  |
| MON OUT                 | 1    | 40   | O   | The monitor output allows monitoring of analog input and is a high-impedance output.   |
| $\overline{\text{M/S}}$ | 18   | 16   | I   | Master/slave select input. When $\overline{\text{M/S}}$ is high, the device is the master and when low, it is a slave.   |

† Terminal numbers shown are for the FN package.

‡ Terminal numbers shown are for the PM package.

## 1.4 Terminal Functions (Continued)

| TERMINAL<br>NAME      | NO.† | NO.‡ | I/O | DESCRIPTION   |
|-----------------------|------|------|-----|---|
| OUT+                  | 3    | 43   | O   | Noninverting output of analog output power amplifier. OUT+ can drive transformer hybrids or high-impedance loads directly in a differential connection or a single-ended configuration with a buffered $V_{MID}$ .  |
| OUT-                  | 4    | 46   | O   | Inverting output of analog output power amplifier. OUT- is functionally identical with and complementary to OUT+.   |
| $\overline{PWR\ DWN}$ | 2    | 42   | I   | Power-down input. When $\overline{PWR\ DWN}$ is taken low, the device is powered down such that the existing internally programmed state is maintained. When $\overline{PWR\ DWN}$ is brought high, full operation resumes.   |
| $\overline{RESET}$    | 8    | 57   | I   | Reset input that initializes the internal counters and control registers. $\overline{RESET}$ initiates the serial data communications, initializes all of the registers to their default values, and puts the device in a preprogrammed state. After a low-going pulse on $\overline{RESET}$ , the device registers are initialized to provide a 16-kHz data-conversion rate and 7.2-kHz filter bandwidth for a 10.368-MHz master clock input signal. |
| SCLK                  | 13   | 8    | I/O | Shift clock. SCLK clocks the digital data into DIN and out of DOUT during the frame-synchronization interval. When configured as an output ( $M/\overline{S}$ high), SCLK is generated internally by dividing the master clock signal frequency by four. When configured as an input ( $M/\overline{S}$ low), SCLK is generated externally and synchronously to the master clock. This signal clocks the serial data into and out of the device.      |
| SUBS                  | 21   | 24   | I   | Substrate connection. SUBS should be tied to ADC GND.   |

† Terminal numbers shown are for the FN package.

‡ Terminal numbers shown are for the PM package.

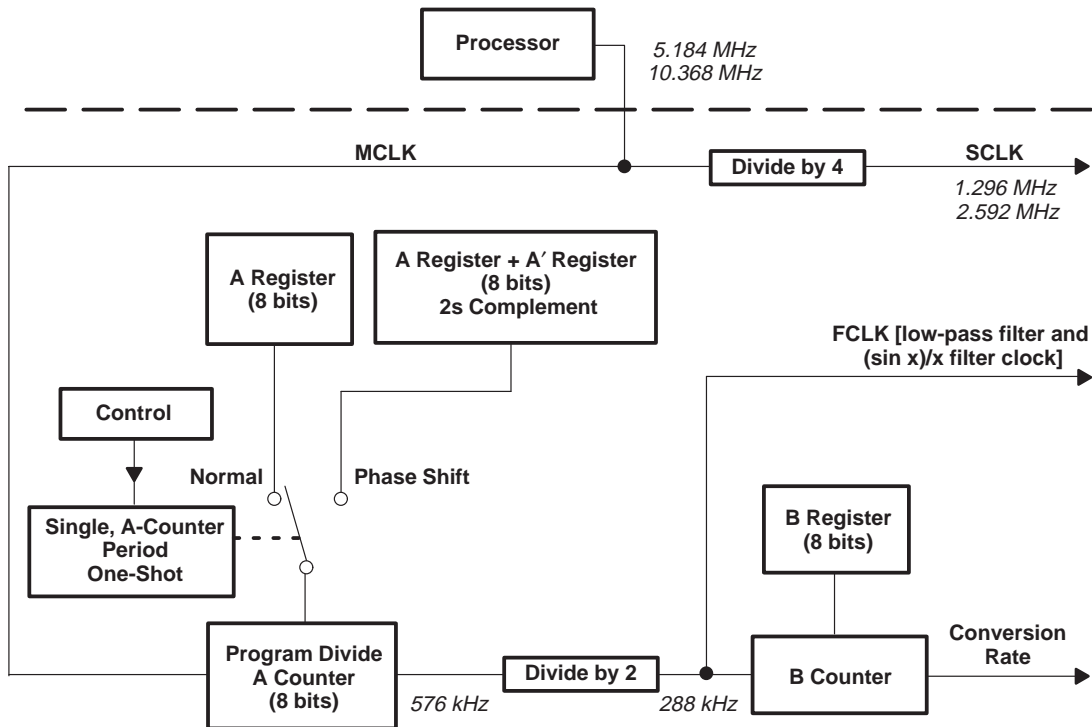


Figure 1–1. Control Flow Diagram

Table 1–1. Operating Frequencies

| FCLK (kHz) | LOW-PASS FILTER BANDWIDTH (kHz) | B REGISTER CONTENTS (Program No. of Filter Clocks) (Decimal) | CONVERSION RATE (kHz) | HIGH-PASS POLE FREQUENCY (Hz) |
|------------|---------------------------------|--|-----------------------|-------------------------------|
| 144        | 3.6                             | 20 (see Note 1)  | 7.2                   | 36                            |
|            |                                 | 18   | 8                     | 40                            |
|            |                                 | 15   | 9.6                   | 48                            |
|            |                                 | 10 (see Note 2)  | 14.4                  | 72                            |
| 288        | 7.2                             | 20 (see Note 1)  | 14.4                  | 72                            |
|            |                                 | 18   | 16                    | 80                            |
|            |                                 | 15   | 19.2                  | 96                            |
|            |                                 | 10 (see Notes 2 and 3)                                       | 28.8                  | 144                           |
| 432        | 10.8                            | 20 (see Note 1)  | 21.6                  | 108                           |
|            |                                 | 18   | 24                    | 120                           |
|            |                                 | 15 (see Note 3)  | 28.8                  | 144                           |
|            |                                 | 10 (see Notes 2 and 3)                                       | 43.2                  | 216                           |

- NOTES:
1. The B register can be programmed for values greater than 20; however, since the sample rate is lower than 7.2 kHz and the internal filter remains at 3.6 kHz, an external antialiasing filter is required.
  2. When the B register is programmed for a value less than 10, the ADC and the DAC conversions are not completed before the next frame-sync signal and the results are in error.
  3. The maximum sampling rate for the ADC channel is 43.2 kHz. The maximum rate for the DAC channel is 25 kHz.

## 1.5 Register Functional Summary

There are nine data registers that are used as follows:

- |            |  |
|------------|--|
| Register 0 | The No-op register. The 0 address allows phase adjustments to be made without reprogramming a data register.   |
| Register 1 | The A register controls the count of the A counter.  |
| Register 2 | The B register controls the count of the B counter.  |
| Register 3 | The A' register controls the phase adjustment of the sampling period. The adjustment is equal to the register value multiplied by the input master period.   |
| Register 4 | The amplifier gain register controls the gains of the input, output, and monitor amplifiers.   |
| Register 5 | The analog configuration register controls: <ul style="list-style-type: none"><li>• The addition/deletion of the high-pass filter to the ADC signal path</li><li>• The enable/disable of the analog loopback</li><li>• The selection of the regular inputs or auxiliary inputs</li><li>• The function that allows processing of signals that are the sum of the regular inputs and the auxiliary inputs (<math>V_{IN} + V_{AUX IN}</math>)</li></ul> |
| Register 6 | The digital configuration register controls: <ul style="list-style-type: none"><li>• Selection of the free-run function</li><li>• <math>\overline{FSD}</math> [frame-synchronization (sync) delay] output enable/disable</li><li>• Selection of 16-bit function</li><li>• Forcing secondary communications</li><li>• Software reset</li><li>• Software power down</li></ul>  |
| Register 7 | The frame-sync delay register controls the time delay between the master-device frame sync and slave-device frame sync. Register 7 must be the last register programmed when using slave devices since all register data is latched and valid on the sixteenth falling edge of SCLK. On the sixteenth falling edge of SCLK, all delayed frame-sync intervals are shifted by this programmed amount.  |
| Register 8 | The frame-sync number register informs the master device of the number of slaves that are connected in the chain. The frame-sync number is equal to the number of slaves plus one.   |

## 2 Detailed Description

### 2.1 Definitions and Terminology

|                                   |   |
|-----------------------------------|---|
| ADC Channel                       | All signal processing circuits between the analog input and the digital conversion results at DOUT  |
| Codec Mode                        | The operating mode under which the device receives shift clock and frame-sync signals from a host processor. The device has no slaves.  |
| d                                 | The d represents valid programmed or default data in the control register format (see Section 2.19) when discussing other data-bit portions of the register.  |
| Dxx                               | Bit position in the primary data word (xx is the bit number)  |
| DAC Channel                       | All signal processing circuits between the digital data word applied to DIN and the differential output analog signal available at OUT+ and OUT–  |
| Data Transfer Interval            | The time during which data is transferred from DOUT and to DIN. This interval is 16 shift clocks regardless of whether the shift clock is internally or externally generated. The data transfer is initiated by the falling edge of the frame-sync signal.  |
| DSxx                              | Bit position in the secondary data word (xx is the bit number)  |
| FCLK                              | An internal clock frequency that is a division of MCLK that controls the low-pass filter and (sinx)/x filter clock (see Figure 1–1 and Table 1-1).  |
| f <sub>i</sub>                    | The analog input frequency of interest  |
| Frame Sync                        | The falling edge of the signal that initiates the data-transfer interval. The primary frame sync starts the primary communications, and the secondary frame sync starts the secondary communications.   |
| Frame Sync and Sampling Period    | The time between falling edges of successive primary frame-sync signals   |
| Frame-Sync Interval               | The time period occupied by 16 shift clocks. Regardless of the mode of operation, there is always an internal frame-sync interval signal that goes low on the rising edge of SCLK and remains low for 16 shift clocks. It is used for synchronization of the serial-port internal signals. It goes high on the seventeenth rising edge of SCLK. |
| f <sub>s</sub>                    | The sampling frequency that is the reciprocal of the sampling period.   |
| Host                              | Any processing system that interfaces to DIN, DOUT, SCLK, or $\overline{FS}$ .  |
| Master Mode                       | The operating mode under which the device generates and uses its own shift clock and frame-sync signal and generates all delayed frame-sync signals necessary to support slave devices.   |
| Phase Adjustment                  | The programmed time variation from the falling edge of one frame-sync signal to the falling edge of the next frame sync signal. The time variation is determined by the contents of the A' register. Since the time between falling edges of successive frame-sync signals is the the sampling period, the sampling period is adjusted.         |
| Primary (Serial) Communications   | The digital data-transfer interval. Since the device is synchronous, the signal data words from the ADC channel and to the DAC channel occur simultaneously.  |
| Secondary (Serial) Communications | The digital control and configuration data-transfer interval into DIN and the register read-data cycle from DOUT. The data-transfer interval occurs when requested by hardware or software.   |
| Signal Data                       | The input signal and all of the converted representations through the ADC channel and return through the DAC channel to the analog output. This is contrasted with the purely digital software-control data.  |
| Slave Mode                        | The operating mode under which the device receives shift clock and frame-sync signals from a master device.   |

Stand-Alone Mode     The operating mode under which the device generates and uses its own shift clock and frame-sync signal. The device has no slave devices.

X                         The X represents a don't-care bit position within the control register format.

## 2.2 Reset and Power-Down Functions

### 2.2.1 Reset

The TLC320AC01 resets both the internal counters and registers, including the programmed registers, by any of the following:

- Applying power to the device, causing a power-on reset (POR)
- Applying a low reset pulse to RESET
- Reading in the programmable software reset bit (DS01 in register 6)

$\overline{\text{PWR DWN}}$  resets the counters only and preserves the programmed register contents.

### 2.2.2 Conditions of Reset

The two internal reset signals used for the reset and synchronization functions are as follows:

1. Counter reset: This signal resets all flip-flops and latches that are not externally programmed with the exception of those generating the reset pulse itself. In addition, this signal resets the software power-down bit.

Counter reset = power-on reset +  $\overline{\text{RESET}}$  + RESET bit +  $\overline{\text{PWR DWN}}$

2. Register reset: This signal resets all flip-flops and latches that are not reset by the counter reset except those generating the reset pulse itself.

Register reset = power-on reset +  $\overline{\text{RESET}}$  + RESET bit

Both reset signals are at least one master-clock period long and release on the falling edge of the master clock.

### 2.2.3 Software and Hardware Power-Down

Given the definitions and conditions of  $\overline{\text{RESET}}$ , the software-programmed power-down condition is cleared by resetting the software bit (DS00 in register 6) to zero. It is also cleared by either cycling the power to the device, bringing  $\overline{\text{PWR DWN}}$  low, or bringing  $\overline{\text{RESET}}$  low.

$\overline{\text{PWR DWN}}$  powers down the entire chip ( < 1 mA ). The software-programmable power-down bit only powers down the analog section of the chip ( < 3 mA ), which allows a software power-up function. Cycling  $\overline{\text{PWR DWN}}$  high to low and back to high resets all flip-flops and latches that are not externally programmed, thereby preserving the register contents.

When  $\overline{\text{PWR DWN}}$  is not used, it should be tied high.

### 2.2.4 Register Default Values After POR, Software Reset, or $\overline{\text{RESET}}$ Is Applied

Register 1 – The A Register

The default value of the A-register data is decimal 18 as shown below.

| DS07 | DS06 | DS05 | DS04 | DS03 | DS02 | DS01 | DS00 |
|------|------|------|------|------|------|------|------|
| 0    | 0    | 0    | 1    | 0    | 0    | 1    | 0    |

Register 2 – The B Register

The default value of the B-register data is decimal 18 as shown below.

| DS07 | DS06 | DS05 | DS04 | DS03 | DS02 | DS01 | DS00 |
|------|------|------|------|------|------|------|------|
| 0    | 0    | 0    | 1    | 0    | 0    | 1    | 0    |

Register 3 – The A' Register

The default value of the A'-register data is decimal 0 as shown below.

| DS07 | DS06 | DS05 | DS04 | DS03 | DS02 | DS01 | DS00 |
|------|------|------|------|------|------|------|------|
| 0    | 0    | 0    | 0    | 0    | 0    | 0    | 0    |

Register 4 – The Amplifier Gain-Select Register

The default value of the amplifier gain-select register data is shown below.

| DS07 | DS06 | DS05 | DS04 | DS03 | DS02 | DS01 | DS00 |
|------|------|------|------|------|------|------|------|
| 0    | 0    | 0    | 0    | 0    | 1    | 0    | 1    |

Register 5 – The Analog Control-Configuration Register

The power-up and reset conditions are as shown below. In the read mode, 8 bits are read but the 4 LSBs are repeated as the 4 MSBs.

| DS03 | DS02 | DS01 | DS00 |
|------|------|------|------|
| 0    | 0    | 0    | 1    |

Register 6 – The Digital Configuration Register

The default value of DS07 – DS00 is 0 as shown below.

| DS07 | DS06 | DS05 | DS04 | DS03 | DS02 | DS01 | DS00 |
|------|------|------|------|------|------|------|------|
| 0    | 0    | 0    | 0    | 0    | 0    | 0    | 0    |

Register 7 – The Frame-Sync Delay Register

The default value of DS07 – DS00 is 0 as shown below.

| DS07 | DS06 | DS05 | DS04 | DS03 | DS02 | DS01 | DS00 |
|------|------|------|------|------|------|------|------|
| 0    | 0    | 0    | 0    | 0    | 0    | 0    | 0    |

Register 8 – The Frame-Sync Number Register

The default value of DS07 – DS00 is 1 as shown below.

| DS07 | DS06 | DS05 | DS04 | DS03 | DS02 | DS01 | DS00 |
|------|------|------|------|------|------|------|------|
| 0    | 0    | 0    | 0    | 0    | 0    | 0    | 1    |

## 2.3 Master-Slave Terminal Function

Table 2–1 describes the function of the master/slave ( $M/\overline{S}$ ) input. The only difference between master and slave operations in the TLC320AC01 is that SCLK and  $\overline{FS}$  are outputs when  $M/\overline{S}$  is high and inputs when  $M/\overline{S}$  is low.

**Table 2–1. Master-Slave Selection**

| MODE                      | $M/\overline{S}^\dagger$ | $\overline{FS}$ | SCLK   |
|---------------------------|--------------------------|-----------------|--------|
| Master and Stand Alone    | H                        | Output          | Output |
| Slave and Codec Emulation | L                        | Input           | Input  |

<sup>†</sup>When the stand-alone mode is desired or when the device is permanently in the master mode,  $M/\overline{S}$  must be high.

## 2.4 ADC Signal Channel

To produce excellent common-mode rejection of unwanted signals, the analog signal is processed differentially until it is converted to digital data. The signal is amplified by the input amplifier at one of three software-selectable gains (typically 0 dB, 6 dB, or 12 dB). A squelch mode can also be programmed for the input amplifier.

The amplifier output is filtered and applied to the ADC input. The ADC converts the signal into discrete digital words in 2s-complement format corresponding to the analog-signal value at the sampling time. These 16-bit digital words, representing sampled values of the analog input signal, are clocked out of the serial port (DOUT), one word for each primary communication interval. During secondary communications, the data previously programmed into the registers can be read out with the appropriate register address and with the read bit set to 1. When a register read is not requested, all 16 bits are 0.

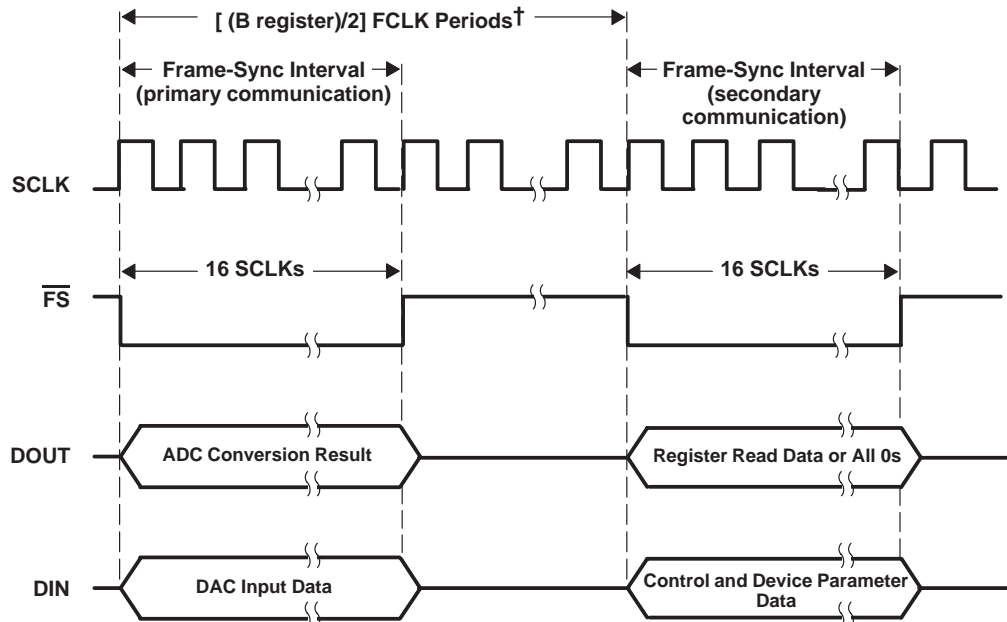
## 2.5 DAC Signal Channel

DIN receives the 16-bit serial data word (2s complement) from the host during the primary communications interval and latches the data on the seventeenth rising edge of SCLK. The data are converted to an analog voltage by the DAC with a sample and hold and then through a  $(\sin x)/x$  correction circuit and a smoothing filter. An output buffer with three software-programmable gains (0 dB, –6 dB, and –12 dB), as shown in register 4, drives the differential outputs OUT+ and OUT–. A squelch mode can also be programmed for the output buffer. During secondary communications, the configuration program data are read into the device control registers.

## 2.6 Serial Interface

The digital serial interface consists of the shift clock, the frame-synchronization signal, the ADC-channel data output, and the DAC-channel data input. During the primary 16-bit frame-synchronization interval, the SCLK transfers the ADC channel results from DOUT and transfers 16-bit DAC data into DIN.

During the secondary frame-synchronization interval, the SCLK transfers the register read data from DOUT when the read bit is set to a 1. In addition, the SCLK transfers control and device parameter information into DIN. The functional sequence is shown in Figure 2–1.



† The time between the primary and secondary frame sync is the time equal to filter clock (FCLK) period multiplied by the B-register contents divided by two. The time interval is rounded to the nearest shift clock. The secondary frame-sync signal goes from high to low on the next shift clock low-to-high transition after (B register/2) filter clock periods.

**Figure 2–1. Functional Sequence for Primary and Secondary Communication**

## 2.7 Number of Slaves

The maximum number of slaves is determined by the sum of the individual device delays from the frame-sync (FS) input low to the frame-sync delayed (FSD) low for all slaves according to equation 1:

$$(n) / t_p(\text{FS} - \text{FSD}) < 1/2 \text{ shift-clock period} \quad (1)$$

Where:

n is the number of slave devices.

Example:

From equation 1 above, the number of slaves is given by equation 2:

$$(n) \leq \frac{1}{2} \times (\text{SCLK period}) \times \frac{1}{t_p(\text{FS} - \text{FSD})} \quad (2)$$

assuming the master clock is 10.368 MHz and the shift clock is 2.5965 MHz and  $t_p(\text{FS} - \text{FSD})$  is 40 ns, then according to equation 3, the number of slaves is:

$$n \leq \frac{1}{2.5965 \text{ MHz}} \times \frac{1}{2} \times \frac{1}{40 \text{ ns}} = \frac{1000}{192} = 4.8 \quad (3)$$

The maximum number of slaves under these conditions is four.

## 2.8 Required Minimum Number of MCLK Periods

Master with slave operation is summarized in the following sections.

### 2.8.1 TLC320AC01 AIC Master-Slave Summary

After initial setup and the master and slave frame syncs are separated, when secondary communication is needed for a slave device, a 11 must be placed in the 2 LSBs of each primary data word for all devices in the system, master and slave, by the host processor. In other words, all AICs must receive secondary frame requests.

The host processor must issue the command by setting D01 and D00 to a 1 in the primary frame sync data word of all devices. Then the master generates the master primary frame sync and, after the number of shift clocks set by the FSD register value, the slave primary frame sync intervals. Then, after (B register value/2) FCLK periods, the master secondary frame sync occurs first, and then the slave secondary frame sync occurs. These are also rippled through the slave devices.

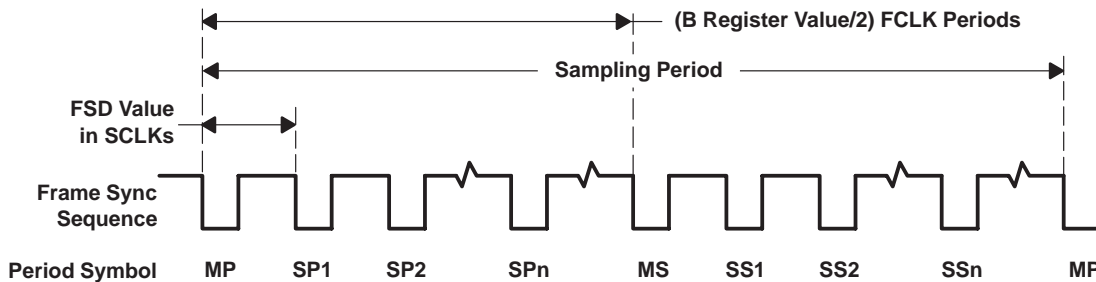
In other words, when a secondary communications interval is requested by the host processor as described above:

1. The master outputs the master primary frame sync interval, and then the slave primary frame sync intervals after the FSD register value number of shift clocks.
2. After (B register value/2) FCLK periods, the master then outputs the master secondary frame sync interval, and after the FSD register value number of shift clocks, the slave secondary frame sync intervals.

This sequence is shown in Figure 2–2.

The host must keep track of whether the master or a slave is then being addressed and also the number of slave devices. The master always outputs a 00 in the last 2 bits of the DOUT word, and a slave always outputs a 1 in the LSB of the DOUT word. This information allows the system to recognize a starting point by interrogating the least significant bit of the DOUT word. If the LSB is 0, then that device is the master, and the system is at the starting point.

Note: This identification always happens except in 16-bit mode when the 2 LSBs are not available for identification purposes.



Periods shown: Each period must be a minimum of 16 SCLKs plus 2 additional SCLKs

|     |                            |     |                              |
|-----|----------------------------|-----|------------------------------|
| MP  | = Master Primary Period    | MS  | = Master Secondary Period    |
| SP1 | = 1st Slave Primary Period | SS1 | = 1st Slave Secondary Period |
| SP2 | = 2nd Slave Primary Period | SS2 | = 2nd Slave Secondary Period |
| SPn | = nth Slave Primary Period | SSn | = nth Slave Secondary Period |

Figure 2–2. Timing Sequence

## 2.8.2 Notes on TLC320AC01/02 AIC Master-Slave Operation

Master/slave operational detail is summarized in the following notes:

1. The slave devices can be programmed independently of the master as long as the clock divide register numbers are not changed. The gain settings, for example, can be changed independently.
2. The method that is used to program a slave independently is to request a secondary communication of the master and all slaves and ripple the delayed frame sync to the desired slave device to be programmed.
3. Secondary frame syncs must be requested for all devices in the system or none. This is required so that the master generates secondary frames for the slaves and allows the slaves to know that the second frame syncs they receive are secondary frame syncs. Each device in the system must receive a secondary frame request in its corresponding primary frame sync period (11 in the last 2 LSBs).
4. Calculation of the sampling frequency in terms of the master clock and the shift clock and the respective register ratios is (see equations 4–6):

$$\begin{aligned}\text{Sampling frequency} = f_s &= \frac{\text{FCLK}}{\text{B register value}} \\ &= \frac{f(\text{MCLK})}{2 (\text{A register value}) \times (\text{B register value})}\end{aligned}\quad (4)$$

Therefore,

$$\frac{f(\text{MCLK})}{f_s} = 2 \times (\text{A register value}) \times (\text{B register value}) \quad (5)$$

and in terms of the shift clock frequency, since

$$f(\text{MCLK}) = 4 \times f(\text{SCLK})$$

then

$$\begin{aligned}\frac{f(\text{SCLK})}{f_s} &= \frac{(\text{A register value}) \times (\text{B register value})}{2} \\ &= \frac{\text{Number of SCLK periods}}{\text{Sampling period}}\end{aligned}\quad (6)$$

5. The minimum number of shift clocks between falling edges of any two frame syncs is 18 because the frame sync delay register minimum number is 18.

When a secondary communication is requested by the host, the master secondary frame sync begins at the middle of the sampling period (followed by the slave secondary frame syncs), so all primary frame sync intervals (master and slave) must occur within one-half the sampling time.

The first secondary frame-sync falling edge, therefore, occurs at the following time (see equation 7):

$$\begin{aligned} \text{Time to first secondary frame sync} &= \frac{\text{B register value}}{2} \text{ (FCLK periods)} = \\ &\text{A register value} \times \text{B register value} \text{ (number of MCLK periods)} = \\ &\frac{\text{A register value} \times \text{B register value}}{4} \text{ (number of SCLK periods)} \end{aligned} \quad (7)$$

6. Number of frame sync intervals using equation 8.

All master and slave primary frame sync intervals must occur within the time of equation 7.

Since 18 shift clocks are required for each frame sync interval, then the number of frame sync intervals from equation 8 is:

$$\begin{aligned} \text{Number of frame sync intervals} &= \frac{\text{A register value} \times \text{B register value}}{4 \times 18 \text{ (SCLKs/frame sync interval)}} \\ &= \frac{\text{A register value} \times \text{B register value}}{72} \end{aligned} \quad (8)$$

7. Number of devices, master and slave, in terms of  $f(\text{MCLK})$  and  $f_s$ .

Substituting the value from equation 5 for the  $A \times B$  register value product gives the total number of devices, including the master and all slaves that can be used, for a given master clock and sampling frequency. Therefore, using equation 9:

$$\text{Number of devices} = \frac{f(\text{MCLK})}{144 \times f_s} \quad (9)$$

8. Number of devices, master and slave, if slave devices are reprogrammed.

Equation 9 does not include reprogramming the slave devices after the frame sync delay occurs. So if programming is required after shifting the slave frame syncs by the FSD register, then the total number of devices is given by equation 10 is:

$$\text{Number of devices} = \frac{f(\text{MCLK})}{288 \times f_s} \quad (10)$$

9. Example of the maximum number of devices if the slave devices are reprogrammed assuming the following values:

$$f(\text{MCLK}) = 10.368 \text{ MHz}, f_s = 8 \text{ kHz}$$

then from equation 10,

$$\text{Maximum number of devices} = \frac{10.368 \text{ MHz}}{288 (8 \text{ kHz})} = 4.5$$

therefore, one master and three slaves can be used.

## 2.9 Operating Frequencies

### 2.9.1 Master and Stand-Alone Operating Frequencies

The sampling (conversion) frequency is derived from the master-clock (MCLK) input by equation 11:

$$f_s = \text{Sampling (conversion) frequency} = \frac{\text{MCLK}}{(\text{A register value}) \times (\text{B register value}) \times 2} \quad (11)$$

The inverse is the time between the falling edges of two successive primary frame-synchronization signals. The input and output data clock (SCLK) frequency is given in equation 12:

$$\text{SCLK frequency} = \frac{\text{MCLK frequency}}{4} \quad (12)$$

### 2.9.2 Slave and Codec Operating Frequencies

The slave operating frequencies are either the default values or programmed by the control data word from the master and codec conversion and the data frequencies are determined by the externally applied SCLK and  $\overline{\text{FS}}$  signals.

### 2.10 Switched-Capacitor Filter Frequency (FCLK)

The filter clock (FCLK) is an internal clock signal that determines the filter band-pass frequency and is the B counter clock. The frequency of the filter clock is derived by equation 13:

$$\text{FCLK} = \frac{\text{MCLK}}{(\text{A register value}) \times 2} \quad (13)$$

### 2.11 Filter Bandwidths

The low-pass (LP) filter  $-3$  dB corner is derived in equation 14:

$$f(\text{LP}) = \frac{\text{FCLK}}{40} = \frac{\text{MCLK}}{40 \times (\text{A register value}) \times 2} \quad (14)$$

The high-pass (HP) filter  $-3$  dB corner is derived in equation 15:

$$f(\text{HP}) = \frac{\text{Sampling frequency}}{200} = \frac{\text{MCLK}}{200 \times 2 \times (\text{A register value}) \times (\text{B register value})} \quad (15)$$

### 2.12 Master and Stand-Alone Modes

The difference between the master and stand-alone modes is that in the stand-alone mode there are no slave devices. Functionally these two modes are the same. In both, the AIC internally generates the shift clock and frame-sync signal for the serial communications. These signals and the filter clock (FCLK) are derived from the input master clock. The master clock applied at the MCLK input determines the internal device timing. The shift clock frequency is a divide-by-four of the master clock frequency and shifts both the input and output data at DIN and DOUT, respectively, during the frame-sync interval (16 shift clocks long). To begin the communication sequence, the device is reset (see Section 2.2.1), and the first frame sync occurs approximately 648 master clocks after the reset condition disappears.

#### 2.12.1 Register Programming

All register programming occurs during secondary communications, and data is latched and valid on the sixteenth falling edge of SCLK. After a reset condition, eight primary and secondary communications cycles are required to set up the eight programmable registers. Registers 1 through 8 are programmed in secondary communications intervals 1 through 8, respectively. If the default value for a particular register is desired, that register does not need to be addressed during the secondary communications. The no-op command addresses the pseudo-register (register 0), and no register programming takes place during this communications. The no-op command allows phase shifts of the sampling period without reprogramming any register.

During the eight register programming cycles, DOUT is in the high-impedance state. DOUT is released on the rising edge of the eighth primary internal frame-sync interval. In addition, each register can be read back

during DOUT secondary communications by setting the read bit to 1 in the appropriate register. Since the register is in the read mode, no data can be written to the register during this cycle. To return this register to the write mode requires a subsequent secondary communication (see Section 2.19 for detailed register description).

### 2.12.2 Master and Stand-Alone Functional Sequence

The A counter counts according to the contents of the A register, and the A counter frequency is divided by two to produce the filter clock (FCLK). The B counter is clocked by FCLK with the following functional sequence:

1. The B counter starts counting down from the B register value minus one. Each count remains in the counter for one FCLK period including the zero count. This total counter time is referred to as the B cycle. The end of the zero count is called the end of B cycle.
2. When the B counter gets to a count of nine, the analog-to-digital (A-to-D) conversion starts.
3. The A-to-D conversion is complete ten FCLK periods later.
4.  $\overline{FS}$  goes low on a rising edge of SCLK after the A-to-D conversion is complete. That rising edge of SCLK must be preceded by a falling edge of SCLK, which is the first falling edge to occur after the end of B cycle.
5. The D-to-A conversion cycle begins on the rising edge of the internal frame-sync interval and is complete ten FCLK periods later.

### 2.13 Slave and Codec Modes

The only difference between the slave and codec modes is that the codec mode is controlled directly by the host and does not use a delayed frame-sync signal. In both modes, the shift clock and the frame sync are both externally generated and must be synchronous with MCLK. The conversion frequency is set by the time interval of externally applied frame-sync falling edges except when the free-run function is selected by bit 5 of register 6 (see Section 2.15.4). The slave device or devices share the shift clock generated by the master device but receive the frame sync from the previous slave in the chain. The Nth slave  $\overline{FS}$  receives the (N-1)st slave  $\overline{FSD}$  output and so on. The first slave device in the chain receives  $\overline{FSD}$  from the master.

### 2.13.1 Slave and Codec Functional Sequence

The A counter counts according to the contents of the A register, and the A counter frequency is divided by two to produce the FCLK. The device function in the slave or codec mode is the same as steps 1 through 3 of the B cycle description in the master mode but differs as follows:

1. Same as master
2. Same as master
3. Same as master
4. All internal clocks stop 1/2 FCLK before the end of count 0 in the B counter cycle.
5. All internal clocks are restarted on the first rising edge of MCLK after the external  $\overline{FS}$  input goes low. This operation provides the synchronization necessary when using an external  $\overline{FS}$  signal.
6. The D-to-A conversion starts on the rising edge of the internally generated frame-sync interval at the end of the 16-shift clock data transfer.

In the slave mode, the master controls the phase adjustments for itself and all slaves since all devices are programmed in the same frame-sync interval. In the codec mode, the shift clock and frame sync are externally generated and provide the timing for the ADC and DAC if the free-run function has not been selected (see Subsection 2.15.4). In the codec mode, there is usually no need for phase adjustments; however, any required phase adjustments must be made by adjusting the external frame-sync timing (sampling time).

### 2.13.2 Slave Register Programming

When slave devices are used on power-up or reset, all slave frame-sync signals occur at the same time as the master frame-sync signal and all slave devices are programmed during the master secondary frame-sync interval with the same data as the master. The last register programmed must be the frame-sync delay (FSD) register because the delay starts immediately on the rising edge of the seventeenth shift clock of that frame-sync interval. After the FSD register programming is completed for the master and slave, the slave primary frame interval is shifted in time (time slot allocated) according to the data contained in the slave FSD registers. The master then generates frame-sync intervals for itself and each slave to synchronize the host serial port for data transfers for itself and all slave devices.

The number of slaves is specified in the FSN register (register 8); therefore, the number of frame-sync intervals generated by the master is equal to the number of slaves plus one (see Section 2.7). These master frame-sync intervals are separated in time by the delay time specified by the FSD register (register 7). These master-generated intervals are the only frame-sync interval signals applied to the host serial port to provide the data-transfer time slot for the slave devices.

## 2.14 Terminal Functions

### 2.14.1 Frame-Sync Function

The frame-sync signal indicates that the device is ready to send and receive data for both master and slave modes. The data transfer begins on the falling edge of the frame-sync signal.

#### 2.14.1.1 Frame Sync ( $\overline{FS}$ ), Master Mode

The frame sync is generated internally.  $\overline{FS}$  goes low on the rising edge of SCLK and remains low for the 16-bit data transfer. In addition to generating its own frame-sync interval, the master also outputs a frame sync for each slave that is being used.

#### 2.14.1.2 Frame-Sync Delayed ( $\overline{\text{FSD}}$ ), Master Mode

For the master, the frame-sync delayed output occurs 1/2 shift-clock period ahead of  $\overline{\text{FS}}$  to compensate for the time delay through the master and slave devices. The timing relationships are as follows:

1. When the FSD register data is 0, then  $\overline{\text{FSD}}$  goes low on the falling edge of SCLK prior to the rising edge of SCLK when  $\overline{\text{FS}}$  goes low (see Figure 4–4).
2. When the FSD register data is greater than 17, then  $\overline{\text{FSD}}$  goes low on a rising edge of SCLK that is the FSD register number of SCLKs after the falling edge of  $\overline{\text{FS}}$ .

Register data values from 1 to 17 should not be used.

#### 2.14.1.3 Frame Sync ( $\overline{\text{FS}}$ ), Slave Mode

The frame-sync timing is generated externally, applied to  $\overline{\text{FS}}$ , and controls the ADC and DAC timing (see Subsection 2.15.4). The external frame-sync width must be a minimum of one shift clock to be recognized and can remain low until the next data frame is required.

#### 2.14.1.4 Frame-Sync Delayed ( $\overline{\text{FSD}}$ ), Slave Mode

This output is fed from the master to the first slave and the first slave  $\overline{\text{FSD}}$  output to the second and so on down the chain. The FSD timing sequence in the slave mode is as follows:

1. When the FSD register data is 0, then  $\overline{\text{FSD}}$  goes low after  $\overline{\text{FS}}$  goes low (see Figure 4–5).
2. When the FSD register data is greater than 17,  $\overline{\text{FSD}}$  goes low on a rising edge of SCLK that is the FSD register number of SCLKs after the falling edge of  $\overline{\text{FS}}$ .

Data values from 1 to 17 should not be used.

### 2.14.2 Data Out (DOUT)

DOUT is placed in the high-impedance state on the seventeenth rising edge of SCLK (internal or external) after the falling edge of frame sync. In the primary communication, the data word is the ADC conversion result. In the secondary communication, the data is the register read results when requested by the read/write (R/W) bit with the eight MSBs set to 0 (see Section 2.16). If no register read is requested, the secondary word is all zeroes.

#### 2.14.2.1 Data Out, Master Mode

In the master mode, DOUT is taken from the high-impedance state by the falling edge of frame sync. The most significant data bit then appears on DOUT.

#### 2.14.2.2 Data Out, Slave Mode

In the slave mode, DOUT is taken from the high-impedance state by the falling edge of the external frame sync or the rising edge of the external SCLK, whichever occurs first (see Figure 4–7). The falling edge of frame sync can occur  $\pm 1/4$  SCLK period around the SCLK rising edge (see Figure 4–3). The most significant data bit then appears on DOUT.

### 2.14.3 Data In (DIN)

In the primary communication, the data word is the digital input signal to the DAC channel. In the secondary communication, the data is the control and configuration data to set up the device for a particular function (see Section 2.16).

### 2.14.4 Hardware Program Terminals (FC1 and FC0)

These inputs provide for hardware programming requests for secondary communication or phase adjustment. These inputs work in conjunction with the control bits D01 and D00 of the primary data word or control bits DS15 and DS14 of the secondary data word. The data on FC1 and FC0 are latched on the rising edge of the next internally generated primary or secondary frame-sync interval. These inputs should be tied low if not used (see Section 2.17 and Table 2–3).

### 2.14.5 Midpoint Voltages (ADC $V_{MID}$ and DAC $V_{MID}$ )

Since the device operates at a single-supply voltage, two midpoint voltages are generated for internal signal processing. ADC  $V_{MID}$  is used for the ADC channel reference, and DAC  $V_{MID}$  is used for the DAC channel reference. Two references minimize channel-to-channel noise and crosstalk. ADC  $V_{MID}$  and DAC  $V_{MID}$  must be buffered when used as a reference for external signal processing.

## 2.15 Device Functions

### 2.15.1 Phase Adjustment

In some applications, such as modems, the device sampling period may require an adjustment to synchronize with the incoming bit stream to improve the signal-to-noise ratio. The TLC320AC01 can adjust the sampling period through the use of the A' register and the control bits.

#### 2.15.1.1 Phase-Adjustment Control

A phase adjustment is a programmed variation in the sampling period. A sampling period is adjusted according to the data value in the A' register, and the phase adjustment is that number of master clocks (MCLK). An adjustment is made during device operation with data bits D01 and D00 in the primary communication, with data bits DS15 and DS14 in the secondary word or in combination with the hardware terminals FC1 and FC0 (see Table 2–3). This adjustment request is latched on the rising edge of the next internal frame-sync interval and is only valid for the next sampling period. To repeat the phase adjustment, another phase request must be initiated.

#### 2.15.1.2 Use of the A' Register for Phase Adjustment

The A' register value makes slight timing adjustments to the sampling period. The sampling period increases or decreases according to the sign of the programmed A' register value and the state of data bits D01 and D00 in the primary data word.

The general equation for the conversion frequency is given in equation 16:

$$f_s = \text{conversion frequency} = \frac{\text{MCLK}}{(2 \times \text{A register value} \times \text{B register value}) \pm (\text{A' register value})} \quad (16)$$

Therefore, if A' = 0, the device conversion (sampling) frequency and period is constant.

If a nonzero A' value is programmed, the sampling frequency and period responds as shown in Table 2–2.

**Table 2–2. Sampling Variation With A'**

| D01 | D00                     | SIGN OF THE A' REGISTER VALUE            |  |
|-----|-------------------------|--|--|
|     |                         | PLUS VALUE (+)                           | NEGATIVE VALUE (-)                       |
| 0   | 1<br>(increase command) | Frequency decreases,<br>period increases | Frequency increases,<br>period decreases |
| 1   | 0<br>(decrease command) | Frequency increases,<br>period decreases | Frequency decreases,<br>period increases |

An adjustment to the sampling period, which must be requested through D01 and D00 of the primary data word to DIN, is valid for the following sampling period only. When the adjustment is required for the subsequent sampling period, it must be requested again through D01 and D00 of the primary data word. For each request, only the sampling period occurring immediately after the primary data word request is affected.

The amount of time shift in the entire sampling period ( $1/f_s$ ) is as follows:

When the sampling period is set to 125  $\mu$ s (8 kHz), the A' register is loaded with decimal 10 and the TLC320AC01 master clock frequency is 10.386 MHz. The amount of time each sampling period is increased or decreased, when requested, is given in equation 17:

$$\text{Time shift} = (\text{A' register value}) \times (\text{MCLK period}) \quad (17)$$

The device changes the entire sampling period by only the MCLK period times the A' register value as given in equation 18:

$$\begin{aligned} \text{Change in sampling period} &= \text{contents of A' register} \times \text{master clock period} \\ &= 10 \times 96.45 \text{ ns} = 964 \text{ ns (less than 1\% of the sampling period)} \end{aligned} \quad (18)$$

The sampling period changes by 964.5 ns each time the phase adjustment is requested by the primary data word (i.e., once per sampling period).

It is evident then that the change in sampling period is very small compared to the sampling period. To observe this effect over a long period of time ( $>$  sampling period), this change must be continuously requested by the primary data word. If the adjustment is not requested again, the sampling period changes only once and it may appear that there was no execution of the command. This is especially true when bench testing the device. Automatic test equipment can test for results within a single sampling period.

Internally, the A' register value only affects one cycle (period) of the A counter. The A and A' values are additive, but only for one A-counter period. The A counter begins the first count at the default or programmed A-register value and counts down to the A'-register value. As the A' value increases or decreases, the first clock cycle from the A counter is lengthened or shortened. The initial A-counter period is the only counter period affected by the A' register such that only this single period is increased or decreased.

### 2.15.2 Analog Loopback

This function allows the circuit to be tested remotely. In loopback, OUT+ and OUT- are internally connected to IN+ and IN-. The DAC data bits D15 to D02 that are applied to DIN can be compared with the ADC output data bits D15 to D02 at DOUT. There are some differences due to the ADC and DAC channel offset. The loopback function is implemented by setting DS01 and DS00 to zero in control register 5 (see Section 2.19). When analog loopback is enabled, the external inputs to IN+ and IN- are disconnected, but the signals at OUT+ and OUT- may still be read.

### 2.15.3 16-Bit Mode

In the 16-bit mode, the device ignores the last two control bits (D01 and D00) of the primary word and requests continual secondary communications to occur. By ignoring the last two primary communication bits, compatibility with existing 16-bit software can be maintained. This function is implemented by setting bit DS03 to 1 in register 6. To return to normal operation, DS03 must be reprogrammed to 0.

### 2.15.4 Free-Run Mode

With the free-run bit set in register 6, the external shift clock and frame sync control only the data transfer. The ADC and DAC timing are controlled by the A and B register values, and the phase-shift adjustment must be done as if the device is in stand-alone mode (by the software or the state of FC1 and FC0).

Phase adjustment cannot be made by adjustment of the frame-sync timing. The external frame sync must occur within 1/2 FCLK period of the internal frame sync (FCLK as determined by the values of the A and B registers).

When the external frame sync occurs simultaneously with the internal load, the data-transfer request by the external frame sync takes precedence over an internal load command. The latching of the ADC conversion data in the output register is inhibited until the current 16 bits are shifted out of the register by the shift clock.

### 2.15.5 Force Secondary Communication

With bit 2 in register 6 set to 1, secondary communication is requested continuously. It overrides all software and hardware requests concerning secondary communication. Phase shifting, however, can still be performed with the software and hardware.

### 2.15.6 Enable Analog Input Summing

By setting bits DS01 and DS00 to 11 in register 5, the normal analog input voltage is summed with the auxiliary input voltage. The gain for the analog input amplifier is set by data bits DS03 and DS02 in register 4.

### 2.15.7 DAC Channel (sin x)/x Error Correction

The (sin x)/x compensation filter is designed for zero (sin x)/x error using a B-register value of 15. Since the filter cannot be removed from the signal path, operation using another B-register value results in an error in the reconstructed analog output. The error is given by equation 19. Any error compensation needed by a given application can be performed in the software.

$$\text{DAC channel frequency response error} = 20 \times \log_{10} \left[ \frac{\sin \left( \frac{2\pi \times A \times B}{f_{\text{MCLK}}} \times f \right)}{\sin \left( \frac{30\pi \times A}{f_{\text{MCLK}}} \times f \right)} \times \frac{15}{B} \right] \quad (19)$$

where:

- f = the frequency of interest
- f<sub>MCLK</sub> = the TLC320AC01 master-clock frequency
- A = the A-register value
- B = the B-register value

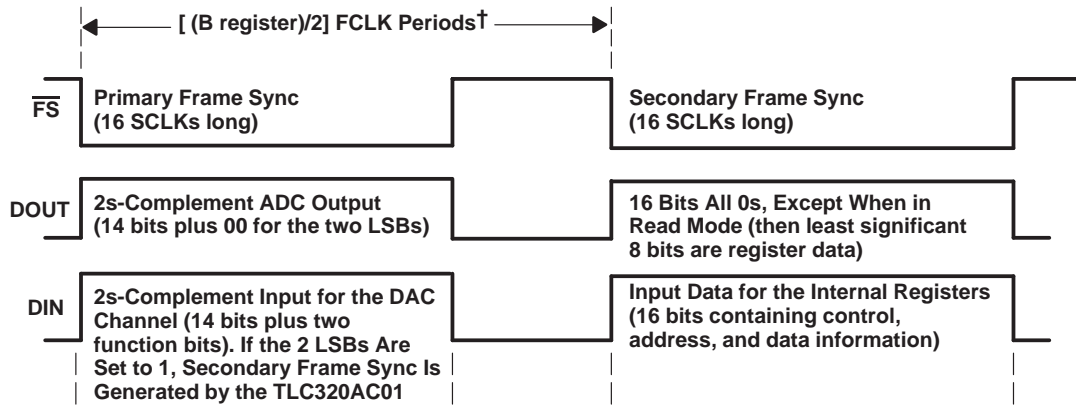
and the arguments of the sin functions are in radians.

## 2.16 Serial Communications

### 2.16.1 Stand-Alone and Master-Mode Word Sequence and Information Content During Primary and Secondary Communications

For the stand-alone and master modes, the sequence in Figure 2–2 shows the relationship between the primary and secondary communications interval, the data content into DIN, and the data content from DOUT.

The TLC320AC01 can provide a phase-shift command or the next secondary communications interval by decoding 1) the programmed state of the FC1 and FC0 inputs and the D01 and D00 data bits in the primary data word, or 2) the state of the FC1 and FC0 inputs and the DS15 and DS14 data bits in the secondary data word (see Table 2–3). When DS13 (the R/W bit) is the default value of 0, all 16 bits from DOUT are 0 during secondary communication. However, when the R/W bit is set to 1 in the secondary communication control word, the secondary transmission from DOUT still contains 0s in the eight MSBs. The lower order 8 bits contain the data of the register currently being addressed. This function provides register status information for the host.

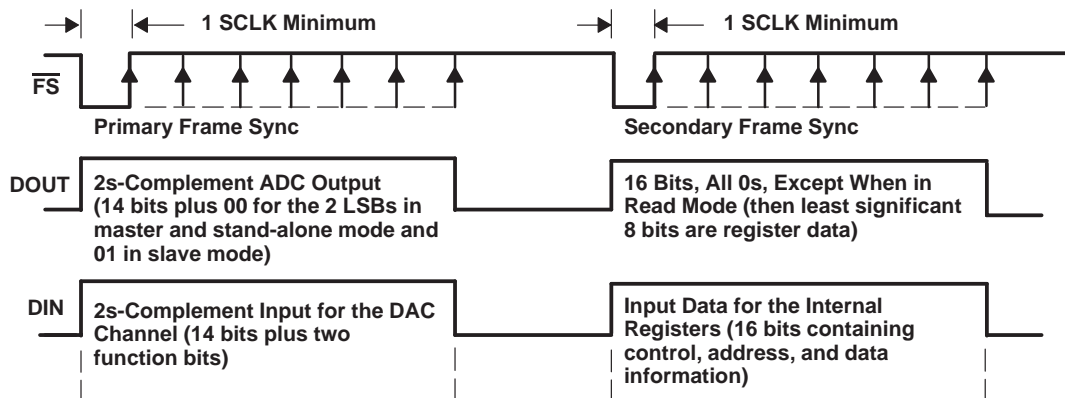


† The time between the primary and secondary frame sync is the time equal to filter clock (FCLK) period multiplied by the B-register contents divided by two. The time interval is rounded to the nearest shift clock. The secondary frame-sync signal goes from high to low on the next shift clock low-to-high transition after (B register/2) filter clock periods.

**Figure 2–3. Master and Stand-Alone Functional Sequence**

### 2.16.2 Slave and Codec-Mode Word Sequence and Information Content During Primary and Secondary Communications

For the slave and codec modes, the sequence is basically the same as the stand-alone and master modes with the exception that the frame sync and the shift clock are generated and controlled externally as shown in Figure 2–3. For the codec mode, the frame-sync pulse width needs to be a minimum of one shift clock long. The timing relationship between the frame sync and shift clock is shown in the timing diagrams. Phase shifting is usually not required in the slave or codec mode because the frame-sync timing can be adjusted externally if required.



NOTE A: The time between the primary and secondary frame syncs is determined by the application; however, enough time must be provided so that the host can execute the required number of software instructions in the time between the end of the primary data transfer (rising edge of the primary frame-sync interval) and the falling edge of the secondary frame sync (start of secondary communications).

**Figure 2–4. Slave and Codec Functional Sequence**

## **2.17 Request for Secondary Serial Communication and Phase Shift**

The following paragraphs describe a request for secondary serial communication and phase shift using hardware control inputs FC1 and FC0, primary data bits D01 and D00, and secondary data bits DS15 and DS14.

### **2.17.1 Initiating a Request**

Combinations of FC1 and FC0 input conditions, bits D01 and D00 in the primary serial data word, FC1 and FC0, and bits DS15 and DS14 in the secondary serial data word can initiate a secondary serial communication or request a phase shift according to the following rules (see Table 2–3).

1. Primary word phase shifts can be requested by either the hardware or software when the other set of signals are 11 or 00. If both hardware and software request phase shifts, the software request is performed.
2. Secondary words can be requested by either the software or hardware at the same time that the other set of signals is requesting a phase shift.
3. Hardware inputs FC1 and FC0 are ignored during the secondary word unless DS15 and DS14 are 11. When DS15 and DS14 are 01 or 10, the corresponding phase shift is performed. When DS15 and DS14 are 00, no phase shift is performed even when the hardware requests a phase shift.

### **2.17.2 Normal Combinations of Control**

The normal combinations of control are as follows:

1. Use D01 and D00 and DS15 and DS14 to request phase shifts and secondary words by holding FC1 and FC0 to 00.
2. Use FC1 and FC0 exclusively to request phase shifts and secondary words by holding D01 and D00 to 00 and DS15 and DS14 to 11.
3. Use D01 and D00 only to request secondary words and FC1 and FC0 to perform phase shifts once per period by holding DS15 and DS14 to 00.

### **2.17.3 Additional Control Options**

Additional control options are unusual and are rarely needed or used; however, they are as follows:

1. Use D01 and D00 only to request secondary words and FC1 and FC0 to perform phase shifts twice per period by holding DS15 and DS14 to 11.
2. Use FC1 and FC0 exclusively to request secondary words and D01 and D00 and DS15 and DS14 to perform phase shifts twice per period.
3. Use FC1 and FC0 to perform the phase shift after the primary word and DS15 and DS14 to perform a phase shift after the secondary word by holding D01 and D00 to 11.

**Table 2–3. Software and Hardware Requests for  
Secondary Serial-Communication and Phase-Shift Truth Table**

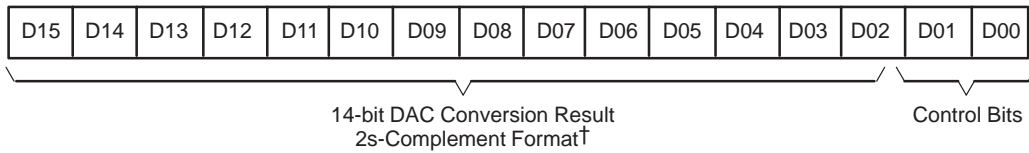
| WITHIN PRIMARY<br>OR SECONDARY<br>DATA WORD | CONTROL<br>BITS |             | HARDWARE<br>TERMINALS |            | PHASE-SHIFT<br>ADJUSTMENT<br>(see Section 2.15.1) |              | SECONDARY<br>REQUEST<br>(see Note 1)  |
|---|-----------------|-------------|-----------------------|------------|---|--------------|---|
|   | D01             | D00         | FC1                   | FC0        | EARLIER   | LATER        |   |
| Primary                                     | 0               | 0           | 0                     | 0          | 0   | 0            | 0   |
|   | 0               | 0           | 0                     | 1          | 0   | 1            | 0   |
|   | 0               | 0           | 1                     | 0          | 1   | 0            | 0   |
|   | 0               | 0           | 1                     | 1          | 0   | 0            | 1   |
|   | 0               | 1           | 0                     | 0          | 0   | 1            | 0   |
|   | 0               | 1           | 0                     | 1          | 0   | 1            | 0   |
|   | 0               | 1           | 1                     | 0          | 0   | 1            | 0   |
|   | 0               | 1           | 1                     | 1          | 0   | 1            | 1   |
|   | 1               | 0           | 0                     | 0          | 1   | 0            | 0   |
|   | 1               | 0           | 0                     | 1          | 1   | 0            | 0   |
|   | 1               | 0           | 1                     | 0          | 1   | 0            | 0   |
|   | 1               | 0           | 1                     | 1          | 1   | 0            | 1   |
|   | 1               | 1           | 0                     | 0          | 0   | 0            | 1   |
|   | 1               | 1           | 0                     | 1          | 0   | 1            | 1   |
|   | 1               | 1           | 1                     | 0          | 1   | 0            | 1   |
|   | 1               | 1           | 1                     | 1          | 0   | 0            | 1   |
| Secondary                                   | <b>DS15</b>     | <b>DS14</b> | <b>FC1</b>            | <b>FC0</b> | <b>EARLIER</b>                                    | <b>LATER</b> | No request can be made for<br>secondary communication<br>within the secondary word. |
|   | 0               | 0           | 0                     | 0          | 0   | 0            |   |
|   | 0               | 0           | 0                     | 1          | 0   | 0            |   |
|   | 0               | 0           | 1                     | 0          | 0   | 0            |   |
|   | 0               | 0           | 1                     | 1          | 0   | 0            |   |
|   | 0               | 1           | 0                     | 0          | 0   | 1            |   |
|   | 0               | 1           | 0                     | 1          | 0   | 1            |   |
|   | 0               | 1           | 1                     | 0          | 0   | 1            |   |
|   | 0               | 1           | 1                     | 1          | 0   | 1            |   |
|   | 1               | 0           | 0                     | 0          | 1   | 0            |   |
|   | 1               | 0           | 0                     | 1          | 1   | 0            |   |
|   | 1               | 0           | 1                     | 0          | 1   | 0            |   |
|   | 1               | 0           | 1                     | 1          | 1   | 0            |   |
|   | 1               | 1           | 0                     | 0          | 0   | 0            |   |
|   | 1               | 1           | 0                     | 1          | 0   | 1            |   |
|   | 1               | 1           | 1                     | 0          | 1   | 0            |   |
| 1   | 1               | 1           | 1                     | 0          | 0   |              |   |

NOTE 1: The 0 state indicates that a secondary communication is not being requested. The 1 state indicates that a secondary communication is being requested.

### 2.18 Primary Serial Communications

Primary serial communications transfer the 14-bit DAC input plus two control bits (D01 and D00) to DIN of the TLC320AC01. They simultaneously transfer the 14-bit ADC conversion result from DOUT to the processor. The 2 LSBs are set to 0 in the ADC result.

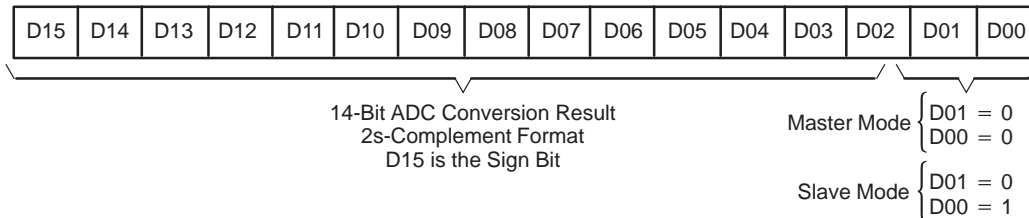
### 2.18.1 Primary Serial Communications Data Format



† Since the supply voltage is single ended, the reference for 2s-complement format is ADC  $V_{MID}$ . Voltages above this reference have a 0 as the MSB, and voltages below this reference have a 1 as the MSB.

During primary serial communications, when D01 and D00 are both high in the DAC data word to DIN, a subsequent 16 bits of control information is received by the device at DIN during a secondary serial-communication interval. This secondary serial-communication begins at 1/2 the programmed conversion time when the B register data value is even or 1/2 the programmed value minus one FCLK when the B register data value is odd. The time between primary and secondary serial communication is measured from the falling edge of the primary frame sync to the falling edge of the secondary frame sync (see Section 2.19 for function and format of control words).

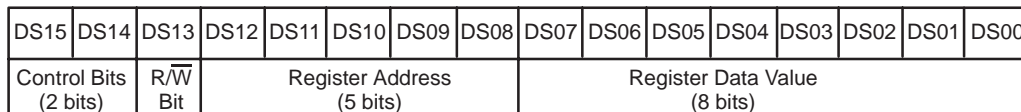
### 2.18.2 Data Format From DOUT During Primary Serial Communications



## 2.19 Secondary Serial Communications

### 2.19.1 Data Format to DIN During Secondary Serial Communications

There are nine 16-bit configuration and control registers numbered from zero to eight. All register data contents are represented in 2s-complement format. The general format of the commands during secondary serial communications is as follows.

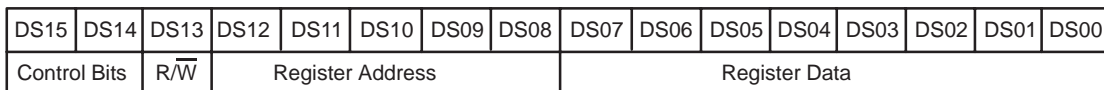


All control register words are latched in the register and valid on the sixteenth falling edge of SCLK.

### 2.19.2 Control Data-Bit Function in Secondary Serial Communication

#### 2.19.2.1 DS15 and DS14

In the secondary data word, bits DS15 and DS14 perform the same control function as the primary control bits D01 and D00 do in the primary data word.



Hardware terminals FC1 and FC0 are valid inputs when DS15 and DS14 are both high, and they are ignored for all other conditions.

### 2.19.2.2 DS13 (R/W Bit)

Reset and power-up procedures set this bit to a 0, placing the device in the write mode. When this bit is set to 1, however, the previous data content of the register being addressed is read out to the host from DOUT as the least significant 8 bits of the 16-bit secondary word. The first 8 bits remain set to 0. Reading the data out is nondestructive, and the contents of the register remain unchanged.

#### A. Write Mode (DS13 = 0)

Data In. The data word to DIN has the following general format in the write mode.

| DS15         | DS14 | DS13 | DS12             | DS11 | DS10 | DS09 | DS08 | DS07          | DS06 | DS05 | DS04 | DS03 | DS02 | DS01 | DS00 |  |
|--------------|------|------|------------------|------|------|------|------|---------------|------|------|------|------|------|------|------|--|
| Control Bits |      | 0    | Register Address |      |      |      |      | Register Data |      |      |      |      |      |      |      |  |

Data Out. The shift clock shifts out all 0s as the pattern to the host from DOUT.

| DS15 | DS14 | DS13 | DS12 | DS11 | DS10 | DS09 | DS08 | DS07 | DS06 | DS05 | DS04 | DS03 | DS02 | DS01 | DS00 |
|------|------|------|------|------|------|------|------|------|------|------|------|------|------|------|------|
| 0    | 0    | 0    | 0    | 0    | 0    | 0    | 0    | 0    | 0    | 0    | 0    | 0    | 0    | 0    | 0    |

#### B. Read Mode (DS13 = 1)

Data In. The data word to DIN has the following format to allow a register read. Phase shifts can also be done in the read mode.

| DS15         | DS14 | DS13 | DS12             | DS11 | DS10 | DS09 | DS08 | DS07    | DS06 | DS05 | DS04 | DS03 | DS02 | DS01 | DS00 |  |
|--------------|------|------|------------------|------|------|------|------|---------|------|------|------|------|------|------|------|--|
| Control Bits |      | 1    | Register Address |      |      |      |      | Ignored |      |      |      |      |      |      |      |  |

Data Out. The shift clock clocks out the data of the register addressed from DOUT in the read mode in the 8 LSBs.

| DS15 | DS14 | DS13 | DS12 | DS11 | DS10 | DS09 | DS08 | DS07          | DS06 | DS05 | DS04 | DS03 | DS02 | DS01 | DS00 |
|------|------|------|------|------|------|------|------|---------------|------|------|------|------|------|------|------|
| 0    | 0    | 0    | 0    | 0    | 0    | 0    | 0    | Register Data |      |      |      |      |      |      |      |

## 2.20 Internal Register Format

### 2.20.1 Pseudo-Register 0 (No-Op Address)

This address represents a no-operation command. No register I/O operation takes place, so the device can receive secondary commands for phase adjustment without reprogramming any register. A read of the no-op is 0. The format of the command word is as follows:

| DS15         | DS14 | DS13 | DS12 | DS11 | DS10 | DS09 | DS08 | DS07 | DS06 | DS05 | DS04 | DS03 | DS02 | DS01 | DS00 |
|--------------|------|------|------|------|------|------|------|------|------|------|------|------|------|------|------|
| Control Bits |      | X    | 0    | 0    | 0    | 0    | 0    | X    | X    | X    | X    | X    | X    | X    | X    |

### 2.20.2 Register 1 (A Register)

The following command loads DS07 (MSB) – DS00 into the A register.

| DS15         | DS14 | DS13 | DS12 | DS11 | DS10 | DS09 | DS08 | DS07          | DS06 | DS05 | DS04 | DS03 | DS02 | DS01 | DS00 |
|--------------|------|------|------|------|------|------|------|---------------|------|------|------|------|------|------|------|
| Control Bits |      | R/W  | 0    | 0    | 0    | 0    | 1    | Register Data |      |      |      |      |      |      |      |

The data in DS07 – DS00 determines the division of the master clock to produce the internal FCLK.

$$\text{FCLK frequency} = \text{MCLK}/(\text{A register contents} \times 2)$$

The default value of the A-register data is decimal 18 as shown below.

|      |      |      |      |      |      |      |      |
|------|------|------|------|------|------|------|------|
| DS07 | DS06 | DS05 | DS04 | DS03 | DS02 | DS01 | DS00 |
| 0    | 0    | 0    | 1    | 0    | 0    | 1    | 0    |

### 2.20.3 Register 2 (B Register)

The following command loads DS07 (MSB) – DS00 into the B register.

|              |      |      |      |      |      |      |               |      |      |      |      |      |      |      |      |
|--------------|------|------|------|------|------|------|---------------|------|------|------|------|------|------|------|------|
| DS15         | DS14 | DS13 | DS12 | DS11 | DS10 | DS09 | DS08          | DS07 | DS06 | DS05 | DS04 | DS03 | DS02 | DS01 | DS00 |
| Control Bits | R/W  | 0    | 0    | 0    | 1    | 0    | Register Data |      |      |      |      |      |      |      |      |

The data in DS07 – DS00 controls the division of FCLK to generate the conversion clock as given in equation 20:

$$\begin{aligned} \text{Conversion frequency} &= \text{FCLK}/(\text{B register contents}) \\ &= \frac{\text{MCLK}}{2 \times \text{A register contents} \times \text{B register contents}} \end{aligned} \quad (20)$$

The default value of the B-register data is decimal 18 as shown below.

|      |      |      |      |      |      |      |      |
|------|------|------|------|------|------|------|------|
| DS07 | DS06 | DS05 | DS04 | DS03 | DS02 | DS01 | DS00 |
| 0    | 0    | 0    | 1    | 0    | 0    | 1    | 0    |

### 2.20.4 Register 3 (A' Register)

The following command contains the A'-register address and loads DS07(MSB) – DS00 into the A' register.

|              |      |      |      |      |      |      |               |      |      |      |      |      |      |      |      |
|--------------|------|------|------|------|------|------|---------------|------|------|------|------|------|------|------|------|
| DS15         | DS14 | DS13 | DS12 | DS11 | DS10 | DS09 | DS08          | DS07 | DS06 | DS05 | DS04 | DS03 | DS02 | DS01 | DS00 |
| Control Bits | R/W  | 0    | 0    | 0    | 1    | 1    | Register Data |      |      |      |      |      |      |      |      |

The data in DS07 – DS00 is in 2s-complement format and controls the number of master-clock periods that the sampling time is shifted.

The default value of the A'-register data is 0 as shown below.

|      |      |      |      |      |      |      |      |
|------|------|------|------|------|------|------|------|
| DS07 | DS06 | DS05 | DS04 | DS03 | DS02 | DS01 | DS00 |
| 0    | 0    | 0    | 0    | 0    | 0    | 0    | 0    |

### 2.20.5 Register 4 (Amplifier Gain-Select Register)

The following command contains the amplifier gain-select register address with selection code for the monitor output (DS05–DS04), analog input (DS03–DS02), and analog output (DS01–DS00) programmable gains.

| DS15                          | DS14 | DS13 | DS12 | DS11 | DS10 | DS09 | DS08 | DS07 | DS06 | DS05 | DS04 | DS03 | DS02 | DS01 | DS00 |
|-------------------------------|------|------|------|------|------|------|------|------|------|------|------|------|------|------|------|
| Control Bits                  |      | R/W  | 0    | 0    | 1    | 0    | 0    | X    | X    | *    | *    | *    | *    | *    | *    |
| Monitor output gain = squelch |      |      |      |      |      |      |      |      |      | 0    | 0    |      |      |      |      |
| Monitor output gain = 0 dB    |      |      |      |      |      |      |      |      |      | 0    | 1    |      |      |      |      |
| Monitor output gain = -8 dB   |      |      |      |      |      |      |      |      |      | 1    | 0    |      |      |      |      |
| Monitor output gain = -18 dB  |      |      |      |      |      |      |      |      |      | 1    | 1    |      |      |      |      |
| Analog input gain = squelch   |      |      |      |      |      |      |      |      |      |      |      | 0    | 0    |      |      |
| Analog input gain = 0 dB      |      |      |      |      |      |      |      |      |      |      |      | 0    | 1    |      |      |
| Analog input gain = 6 dB      |      |      |      |      |      |      |      |      |      |      |      | 1    | 0    |      |      |
| Analog input gain = 12 dB     |      |      |      |      |      |      |      |      |      |      |      | 1    | 1    |      |      |
| Analog output gain = squelch  |      |      |      |      |      |      |      |      |      |      |      |      |      | 0    | 0    |
| Analog output gain = 0 dB     |      |      |      |      |      |      |      |      |      |      |      |      |      | 0    | 1    |
| Analog output gain = -6 dB    |      |      |      |      |      |      |      |      |      |      |      |      |      | 1    | 0    |
| Analog output gain = -12 dB   |      |      |      |      |      |      |      |      |      |      |      |      |      | 1    | 1    |

The default value of the monitor output gain is squelch, which corresponds to data bits DS05 and DS04 equal to 00 (binary).

The default value of the analog input gain is 0 dB, which corresponds to data bits DS03 and DS02 equal to 01 (binary).

The default value of the analog output gain is 0 dB, which corresponds to data bits DS01 and DS00 equal to 01 (binary).

The default data value is shown below.

| DS07 | DS06 | DS05 | DS04 | DS03 | DS02 | DS01 | DS00 |
|------|------|------|------|------|------|------|------|
| 0    | 0    | 0    | 0    | 0    | 1    | 0    | 1    |

### 2.20.6 Register 5 (Analog Configuration Register)

The following command loads the analog configuration register with the individual bit functions described below.

| DS15   | DS14 | DS13 | DS12 | DS11 | DS10 | DS09 | DS08 | DS07 | DS06 | DS05 | DS04 | DS03 | DS02 | DS01 | DS00 |
|--|------|------|------|------|------|------|------|------|------|------|------|------|------|------|------|
| Control Bits                                     |      | R/W  | 0    | 0    | 1    | 0    | 1    | X    | X    | X    | X    | *    | *    | *    | *    |
| Must be set to 0                                 |      |      |      |      |      |      |      |      |      |      |      | 0    |      |      |      |
| High-pass filter disabled                        |      |      |      |      |      |      |      |      |      |      |      | 1    |      |      |      |
| High-pass filter enabled                         |      |      |      |      |      |      |      |      |      |      |      | 0    |      |      |      |
| Analog loopback enabled                          |      |      |      |      |      |      |      |      |      |      |      |      |      | 0    | 0    |
| Enables IN+ and IN- (disables AUXIN+ and AUXIN-) |      |      |      |      |      |      |      |      |      |      |      |      |      | 0    | 1    |
| Enables AUXIN+ and AUXIN- (disables IN+ and IN-) |      |      |      |      |      |      |      |      |      |      |      |      |      | 1    | 0    |
| Enable analog input summing                      |      |      |      |      |      |      |      |      |      |      |      |      |      | 1    | 1    |

The default value of the high-pass-filter enable bit is 0, which places the high-pass filter in the signal path. The default values of DS01 and DS00 are 0 and 1 which enables IN+ and IN-.

The power-up and reset conditions are as shown below.

| DS03 | DS02 | DS01 | DS00 |
|------|------|------|------|
| 0    | 0    | 0    | 1    |

In the read mode, eight bits are read but the 4 LSBs are repeated as the 4 MSBs.

### 2.20.7 Register 6 (Digital Configuration Register)

The following command loads the digital configuration register with the individual bit functions described below.

| DS15   | DS14 | DS13 | DS12 | DS11 | DS10 | DS09 | DS08 | DS07 | DS06 | DS05 | DS04 | DS03 | DS02 | DS01 | DS00 |
|--|------|------|------|------|------|------|------|------|------|------|------|------|------|------|------|
| Control Bits   |      | R/W  | 0    | 0    | 1    | 1    | 0    | X    | X    | *    | *    | *    | *    | *    | *    |
| ADC and DAC conversion free run  |      |      |      |      |      |      |      |      |      | 1    |      |      |      |      |      |
| Inactive   |      |      |      |      |      |      |      |      |      | 0    |      |      |      |      |      |
| FSD output disable   |      |      |      |      |      |      |      |      |      | 1    |      |      |      |      |      |
| Enable   |      |      |      |      |      |      |      |      |      | 0    |      |      |      |      |      |
| 16-Bit mode, ignore primary LSBs   |      |      |      |      |      |      |      |      |      |      |      | 1    |      |      |      |
| Normal operation   |      |      |      |      |      |      |      |      |      |      |      | 0    |      |      |      |
| Force secondary communications   |      |      |      |      |      |      |      |      |      |      |      | 1    |      |      |      |
| Normal operation   |      |      |      |      |      |      |      |      |      |      |      | 0    |      |      |      |
| Software reset   |      |      |      |      |      |      |      |      |      |      |      |      |      | 1    |      |
| (upon reset, this bit is automatically reset to 0)   |      |      |      |      |      |      |      |      |      |      |      |      |      |      |      |
| Inactive reset   |      |      |      |      |      |      |      |      |      |      |      |      |      | 0    |      |
| Software power-down active (automatically reset to 0 after PWR DWN is cycled high to low and back to high) |      |      |      |      |      |      |      |      |      |      |      |      |      |      | 1    |
| Power-down function external (uses PWR DWN)  |      |      |      |      |      |      |      |      |      |      |      |      |      |      | 0    |

The default value of DS07–DS00 is 0 as shown below.

| DS07 | DS06 | DS05 | DS04 | DS03 | DS02 | DS01 | DS00 |
|------|------|------|------|------|------|------|------|
| 0    | 0    | 0    | 0    | 0    | 0    | 0    | 0    |

### 2.20.8 Register 7 (Frame-Sync Delay Register)

The following command contains the frame-sync delay (FSD) register address and loads DS07 (MSB)–DS00 into the FSD register. The data byte (DS01–DS00) determines the number of SCLKs between  $\overline{FS}$  and the delayed frame-sync signal,  $\overline{FSD}$ . The minimum data value for this register is decimal 18.

| DS15         | DS14 | DS13 | DS12 | DS11 | DS10 | DS09 | DS08 | DS07          | DS06 | DS05 | DS04 | DS03 | DS02 | DS01 | DS00 |
|--------------|------|------|------|------|------|------|------|---------------|------|------|------|------|------|------|------|
| Control Bits |      | R/W  | 0    | 0    | 1    | 1    | 1    | Register Data |      |      |      |      |      |      |      |

The default value of DS07 – DS00 is 0 as shown below.

| DS07 | DS06 | DS05 | DS04 | DS03 | DS02 | DS01 | DS00 |
|------|------|------|------|------|------|------|------|
| 0    | 0    | 0    | 0    | 0    | 0    | 0    | 0    |

When using a slave device, register 7 must be the last register programmed.

### 2.20.9 Register 8 (Frame-Sync Number Register)

The following command contains the frame-sync number (FSN) register address and loads DS07 (MSB)–DS00 into the FSN register. The data byte determines the number of frame-sync signals generated by the TLC320AC01. This number is equal to the number of slaves plus one.

|              |      |      |      |      |      |      |      |               |      |      |      |      |      |      |      |
|--------------|------|------|------|------|------|------|------|---------------|------|------|------|------|------|------|------|
| DS15         | DS14 | DS13 | DS12 | DS11 | DS10 | DS09 | DS08 | DS07          | DS06 | DS05 | DS04 | DS03 | DS02 | DS01 | DS00 |
| Control Bits |      | R/W  | 0    | 1    | 0    | 0    | 0    | Register Data |      |      |      |      |      |      |      |

The default value of DS07–DS00 is 1 as shown below.

|      |      |      |      |      |      |      |      |
|------|------|------|------|------|------|------|------|
| DS07 | DS06 | DS05 | DS04 | DS03 | DS02 | DS01 | DS00 |
| 0    | 0    | 0    | 0    | 0    | 0    | 0    | 1    |

### 3 Specifications

#### 3.1 Absolute Maximum Ratings Over Operating Free-Air Temperature Range (Unless Otherwise Noted)<sup>†</sup>

|  |                                 |
|--|---------------------------------|
| Supply voltage range, DGTL $V_{DD}$ (see Notes 1 and 2)  | –0.3 V to 6.5 V                 |
| Supply voltage range, DAC $V_{DD}$ (see Notes 1 and 2)   | –0.3 V to 6.5 V                 |
| Supply voltage range, ADC $V_{DD}$ (see Notes 1 and 2)   | –0.3 V to 6.5 V                 |
| Differential supply voltage range, DGTL $V_{DD}$ to DAC $V_{DD}$                                       | –0.3 V to 6.5 V                 |
| Differential supply voltage range, all positive supply voltages to<br>ADC GND, DAC GND, DGTL GND, SUBS | –0.3 V to 6.5 V                 |
| Output voltage range, DOOUT  | –0.3 V to DGTL $V_{DD}$ + 0.3 V |
| Input voltage range, DIN   | –0.3 V to DGTL $V_{DD}$ + 0.3 V |
| Ground voltage range, ADC GND, DAC GND,<br>DGTL GND, SUBS  | –0.3 V to DGTL $V_{DD}$ + 0.3 V |
| Operating free-air temperature range, $T_A$  | 0°C to 70°C                     |
| Storage temperature range, $T_{stg}$   | –40°C to 125°C                  |
| Lead temperature 1,6 mm (1/16 inch) from case for 10 seconds   | 260°C                           |

<sup>†</sup> Stresses beyond those listed under “absolute maximum ratings” may cause permanent damage to the device. These are stress ratings only, and functional operation of the device at these or any other conditions beyond those indicated under “recommended operating conditions” is not implied. Exposure to absolute-maximum-rated conditions for extended periods may affect device reliability.

#### 3.2 Recommended Operating Conditions (see Note 2)

|              |  | MIN | NOM             | MAX | UNIT     |
|--------------|--|-----|-----------------|-----|----------|
| $V_{DD}$     | Positive supply voltage  | 4.5 | 5               | 5.5 | V        |
|              | Steady-state differential voltage between any two supplies     |     |                 | 0.1 | V        |
| $V_{IH}$     | High-level digital input voltage                               | 2.2 |                 |     | V        |
| $V_{IL}$     | Low-level digital input voltage                                |     |                 | 0.8 | V        |
| $I_O$        | Load output current from ADC $V_{MID}$ and DAC                 |     |                 | 100 | $\mu$ A  |
|              | Conversion time for the ADC and DAC channels                   |     | 10 FCLK periods |     |          |
| $f_{MCLK}$   | Master-clock frequency   |     | 10.368          | 15  | MHz      |
| $V_{ID(PP)}$ | Analog input voltage (differential, peak to peak)              |     | 6               |     | V        |
| $R_L$        | Differential output load resistance                            | 600 |                 |     | $\Omega$ |
|              | Single-ended to buffered DAC $V_{MID}$ voltage load resistance | 300 |                 |     |          |
| $T_A$        | Operating free-air temperature                                 | 0   |                 | 70  | °C       |

NOTES: 1. Voltage values for DGTL  $V_{DD}$  are with respect to DGTL GND, voltage values for DAC  $V_{DD}$  are with respect to DAC GND, and voltage values for ADC  $V_{DD}$  are with respect to ADC GND. For the subsequent electrical, operating, and timing specifications, the symbol  $V_{DD}$  denotes all positive supplies. DAC GND, ADC GND, DGTL GND, and SUBS are at 0 V unless otherwise specified.

2. To avoid possible damage to these CMOS devices and associated operating parameters, the sequence below should be followed when applying power:

- (1) Connect SUBS, DGTL GND, ADC GND, and DAC GND to ground.
- (2) Connect voltages ADC  $V_{DD}$ , and DAC  $V_{DD}$ .
- (3) Connect voltage DGTL  $V_{DD}$ .
- (4) Connect the input signals.

When removing power, follow the steps above in reverse order.

### 3.3 Electrical Characteristics Over Recommended Range of Operating Free-Air Temperature, MCLK = 5.184 MHz, V<sub>DD</sub> = 5 V, Outputs Unloaded, Total Device

| PARAMETER            | TEST CONDITIONS                                     | MIN     | TYP†                         | MAX                          | UNIT |
|----------------------|---|---------|------------------------------|------------------------------|------|
| I <sub>DD</sub>      | Supply current                                      |         |                              |                              |      |
|                      | PWR_DWN = 1 and clock signals present               |         | 20                           | 25                           | mA   |
|                      | PWR_DWN = 0 after 500 μs and clock signals present  |         | 1                            | 2                            | mA   |
| P <sub>D</sub>       | Power dissipation                                   |         |                              |                              |      |
|                      | PWR_DWN = 1 and clock signals present               |         | 100                          |                              | mW   |
|                      | PWR_DWN = 0 after 500 μs and clock signals present  |         | 5                            |                              | mW   |
|                      | Software power down, (bit D00, register 6 set to 1) |         | 15                           | 20                           | mW   |
| ADC V <sub>MID</sub> | Midpoint voltage                                    | No load | ADC V <sub>DD</sub> /2 - 0.1 | ADC V <sub>DD</sub> /2 + 0.1 | V    |
| DAC V <sub>MID</sub> | Midpoint voltage                                    | No load | DAC V <sub>DD</sub> /2 - 0.1 | DAC V <sub>DD</sub> /2 + 0.1 | V    |

### 3.4 Electrical Characteristics Over Recommended Range of Operating Free-Air Temperature, V<sub>DD</sub> = 5 V, Digital I/O Terminals (DIN, DOUT, EOC, FC0, FC1, FS, FSD, MCLK, M/S, SCLK)

| PARAMETER       | TEST CONDITIONS                             | MIN  | TYP† | MAX | UNIT |
|-----------------|---|--|------|-----|------|
| V <sub>OH</sub> | High-level output voltage                   | I <sub>OH</sub> = -1.6 mA                      | 2.4  |     | V    |
| V <sub>OL</sub> | Low-level output voltage                    | I <sub>OL</sub> = 1.6 mA                       |      | 0.4 | V    |
| I <sub>IH</sub> | High-level input current, any digital input | V <sub>I</sub> = 2.2 V to DGTL V <sub>DD</sub> |      | 10  | μA   |
| I <sub>IL</sub> | Low-level input current, any digital input  | V <sub>I</sub> = 0 V to 0.8 V                  |      | 10  | μA   |
| C <sub>i</sub>  | Input capacitance                           |  |      | 5   | pF   |
| C <sub>o</sub>  | Output capacitance                          |  |      | 5   | pF   |

† All typical values are at V<sub>DD</sub> = 5 V and T<sub>A</sub> = 25°C.

### 3.5 Electrical Characteristics Over Recommended Range of Operating Free-Air Temperature, V<sub>DD</sub> = 5 V, ADC and DAC Channels

#### 3.5.1 ADC Channel Filter Transfer Function, FCLK = 144 kHz, f<sub>s</sub> = 8 kHz

| PARAMETER  | TEST CONDITIONS                  | MIN   | MAX   | UNIT |
|--|----------------------------------|-------|-------|------|
| Gain relative to gain at f <sub>i</sub> = 1020 Hz (see Note 3) | f <sub>i</sub> = 50 Hz           |       | -2    | dB   |
|  | f <sub>i</sub> = 200 Hz          | -1.8  | -0.15 |      |
|  | f <sub>i</sub> = 300 Hz to 3 kHz | -0.15 | 0.15  |      |
|  | f <sub>i</sub> = 3.3 kHz         | -0.35 | 0.03  |      |
|  | f <sub>i</sub> = 3.4 kHz         | -1    | -0.1  |      |
|  | f <sub>i</sub> = 4 kHz           |       | -14   |      |
|  | f <sub>i</sub> ≥ 4.6 kHz         |       | -32   |      |

NOTE 3: The differential analog input signals are sine waves at 6 V peak to peak. The reference gain is at 1020 Hz.

### 3.5.2 ADC Channel Input, $V_{DD} = 5\text{ V}$ , Input Amplifier Gain = 0 dB (Unless Otherwise Noted)

| PARAMETER                  |  | TEST CONDITIONS              | MIN | TYP <sup>†</sup> | MAX | UNIT       |
|----------------------------|--|------------------------------|-----|------------------|-----|------------|
| $V_{I(PP)}$                | Peak-to-peak input voltage (see Note 4)                                | Single-ended                 | 3   |                  |     | V          |
|                            |  | Differential                 | 6   |                  |     | V          |
| ADC converter offset error |  | Band-pass filter selected    | 10  | 30               |     | mV         |
| CMRR                       | Common-mode rejection ratio at IN+, IN-, AUX IN+, AUX IN- (see Note 5) |                              | 55  |                  |     | dB         |
| $r_i$                      | Input resistance at IN+, IN-, AUX IN+, AUX IN-                         |                              | 100 |                  |     | k $\Omega$ |
| Squelch                    |  | DS03, DS02 = 0 in register 4 | 60  |                  |     | dB         |

<sup>†</sup> All typical values are at  $V_{DD} = 5\text{ V}$  and  $T_A = 25^\circ\text{C}$ .

- NOTES: 4. The differential range corresponds to the full-scale digital output.  
 5. Common-mode rejection ratio is the ratio of the ADC converter offset error with no signal and the ADC converter offset error with a common-mode nonzero signal applied to either IN+ and IN- together or AUX IN+ and AUX IN- together.

### 3.5.3 ADC Channel Signal-to-Distortion Ratio, $V_{DD} = 5\text{ V}$ , $f_S = 8\text{ kHz}$ (Unless Otherwise Noted)

| PARAMETER   | TEST CONDITIONS                         | $A_V = 0\text{ dB}$ |     | $A_V = 6\text{ dB}$ |     | $A_V = 12\text{ dB}$ |     | UNIT |
|---|---|---------------------|-----|---------------------|-----|----------------------|-----|------|
|   |   | MIN                 | MAX | MIN                 | MAX | MIN                  | MAX |      |
| ADC channel signal-to-distortion ratio (see Note 6) | $V_I = -6\text{ dB to } -1\text{ dB}$   | 68                  |     | —                   |     | —                    |     | dB   |
|   | $V_I = -12\text{ dB to } -6\text{ dB}$  | 63                  |     | 68                  |     | —                    |     |      |
|   | $V_I = -18\text{ dB to } -12\text{ dB}$ | 56                  |     | 63                  |     | 68                   |     |      |
|   | $V_I = -24\text{ dB to } -18\text{ dB}$ | 51                  |     | 57                  |     | 63                   |     |      |
|   | $V_I = -30\text{ dB to } -24\text{ dB}$ | 43                  |     | 51                  |     | 57                   |     |      |
|   | $V_I = -36\text{ dB to } -30\text{ dB}$ | 39                  |     | 45                  |     | 51                   |     |      |
|   | $V_I = -42\text{ dB to } -36\text{ dB}$ | 33                  |     | 39                  |     | 45                   |     |      |
|   | $V_I = -48\text{ dB to } -42\text{ dB}$ | 27                  |     | 32                  |     | 39                   |     |      |

NOTE 6: The analog-input test signal is a 1020-Hz sine wave with 0 dB = 6 V peak to peak as the reference level for the analog-input signal.

### 3.5.4 DAC Channel Filter Transfer Function, $FCLK = 144\text{ kHz}$ , $f_S = 9.6\text{ kHz}$ , $V_{DD} = 5\text{ V}$

| PARAMETER  | TEST CONDITIONS                        | MIN   | MAX  | UNIT |
|--|--|-------|------|------|
| Gain relative to gain at $f_i = 1020\text{ Hz}$ (see Note 7) | $f_i < 200\text{ Hz}$                  |       | 0.15 | dB   |
|  | $f_i = 200\text{ Hz}$                  | -0.5  | 0.15 |      |
|  | $f_i = 300\text{ Hz to } 3\text{ kHz}$ | -0.15 | 0.15 |      |
|  | $f_i = 3.3\text{ kHz}$                 | -0.35 | 0.03 |      |
|  | $f_i = 3.4\text{ kHz}$                 | -1    | -0.1 |      |
|  | $f_i = 4\text{ kHz}$                   |       | -14  |      |
|  | $f_i \geq 4.6\text{ kHz}$              |       | -32  |      |

NOTE 7: The input signal is the digital equivalent of a 1020-Hz sine wave (digital full scale = 0 dB). The nominal differential DAC channel output with this input condition is 6 V peak to peak.

### 3.5.5 DAC Channel Signal-to-Distortion Ratio, $V_{DD} = 5\text{ V}$ , $f_S = 8\text{ kHz}$ (Unless Otherwise Noted)

| PARAMETER  | TEST CONDITIONS                        | $A_V = 0\text{ dB}$ |     | $A_V = -6\text{ dB}$ |     | $A_V = -12\text{ dB}$ |     | UNIT |
|--|--|---------------------|-----|----------------------|-----|-----------------------|-----|------|
|  |  | MIN                 | MAX | MIN                  | MAX | MIN                   | MAX |      |
| DAC channel signal-to-distortion ratio<br>(see Note 8) | $V_O = -6\text{ dB to }0\text{ dB}$    | 68                  |     | —                    |     | —                     |     | dB   |
|  | $V_O = -12\text{ dB to }-6\text{ dB}$  | 63                  |     | 68                   |     | —                     |     |      |
|  | $V_O = -18\text{ dB to }-12\text{ dB}$ | 57                  |     | 63                   |     | 68                    |     |      |
|  | $V_O = -24\text{ dB to }-18\text{ dB}$ | 51                  |     | 57                   |     | 63                    |     |      |
|  | $V_O = -30\text{ dB to }-24\text{ dB}$ | 45                  |     | 51                   |     | 57                    |     |      |
|  | $V_O = -36\text{ dB to }-30\text{ dB}$ | 39                  |     | 45                   |     | 51                    |     |      |
|  | $V_O = -42\text{ dB to }-36\text{ dB}$ | 33                  |     | 39                   |     | 48                    |     |      |
|  | $V_O = -48\text{ dB to }-42\text{ dB}$ | 27                  |     | 33                   |     | 39                    |     |      |

NOTE 8: The input signal,  $V_I$ , is the digital equivalent of a 1020-Hz sine wave (full-scale analog output at full-scale digital input = 0 dB). The nominal differential DAC channel output with this input condition is 6 V peak to peak. The load impedance for the DAC output buffer is 600  $\Omega$  from OUT+ to OUT–.

### 3.5.6 System Distortion, $V_{DD} = 5\text{ V}$ , $f_S = 8\text{ kHz}$ , $FCLK = 144\text{ kHz}$ (Unless Otherwise Noted)

| PARAMETER               |                                     | TEST CONDITIONS   | MIN | TYP† | MAX | UNIT |
|-------------------------|-------------------------------------|---|-----|------|-----|------|
| ADC channel attenuation | Second harmonic                     | Single-ended input (see Note 9)                             |     | 82   |     | dB   |
|                         |                                     | Differential input (see Note 9)                             | 70  | 82   |     |      |
|                         | Third harmonic and higher harmonics | Single-ended input (see Note 9)                             |     | 77   |     |      |
|                         |                                     | Differential input (see Note 9)                             | 70  | 77   |     |      |
| DAC channel attenuation | Second harmonic                     | Single-ended output (buffered DAC $V_{MID}$ ) (see Note 10) |     | 82   |     |      |
|                         |                                     | Differential output (see Note 10)                           | 70  | 82   |     |      |
|                         | Third harmonic and higher harmonics | Single-ended output (see Note 10)                           |     | 77   |     |      |
|                         |                                     | Differential output (see Note 10)                           | 70  | 77   |     |      |

† All typical values are at  $V_{DD} = 5\text{ V}$  and  $T_A = 25^\circ\text{C}$ .

NOTES: 9. The input signal is a 1020-Hz sine wave for the ADC channel. Harmonic distortion is defined for an input level of –1 dB.

10. The input signal is the digital equivalent of a 1020-Hz sine wave (digital full scale = 0 dB). The nominal differential DAC channel output with this input condition is 6 V peak to peak. The load impedance for the DAC output buffer is 600  $\Omega$  from OUT+ to OUT–. Harmonic distortion is specified for a signal input level of 0 dB.

### 3.5.7 Noise, Low-Pass and Band-Pass Switched-Capacitor Filters Included, $V_{DD} = 5\text{ V}$ (Unless Otherwise Noted)

| PARAMETER              |                      | TEST CONDITIONS  | MIN | TYP† | MAX | UNIT                |
|------------------------|----------------------|--|-----|------|-----|---------------------|
| ADC idle-channel noise |                      | Inputs tied to ADC $V_{MID}$ ;<br>$f_S = 8\text{ kHz}$ , $F_{CLK} = 144\text{ kHz}$ ,<br>(see Note 11) |     | 180  | 300 | $\mu\text{V}_{rms}$ |
| DAC idle-channel noise | Broad-band noise     | DIN INPUT = 0000000000000000,<br>$f_S = 8\text{ kHz}$ , $F_{CLK} = 144\text{ kHz}$ ,<br>(see Note 12)  |     | 180  | 300 |                     |
|                        | Noise (0 to 7.2 kHz) |  |     | 180  | 300 |                     |
|                        | Noise (0 to 3.6 kHz) |  |     | 180  | 300 |                     |

† All typical values are at  $V_{DD} = 5\text{ V}$  and  $T_A = 25^\circ\text{C}$ .

NOTES: 11. The ADC channel noise is calculated by taking the RMS value of the digital output codes of the ADC channel and converting to microvolts.

12. The DAC channel noise is measured differentially from OUT+ to OUT– across  $600\ \Omega$ .

### 3.5.8 Absolute Gain Error, $V_{DD} = 5\text{ V}$ , $f_S = 8\text{ kHz}$ (Unless Otherwise Noted)

| PARAMETER                                     | TEST CONDITIONS                           | MIN                          | MAX       | UNIT |
|---|---|------------------------------|-----------|------|
| ADC channel absolute gain error (see Note 13) | –1-dB input signal                        | $T_A = 25^\circ\text{C}$     | $\pm 0.5$ | dB   |
|   |   | $T_A = 0 - 70^\circ\text{C}$ | $\pm 1$   |      |
| DAC channel absolute gain error (see Note 14) | 0-dB input signal,<br>$R_L = 600\ \Omega$ | $T_A = 25^\circ\text{C}$     | $\pm 0.5$ |      |
|   |   | $T_A = 0 - 70^\circ\text{C}$ | $\pm 1$   |      |

NOTES: 13. ADC absolute gain error is the variation in gain from the ideal gain over the specified input signal levels. The gain is measured with a –1-dB, 1020-Hz sine wave. The –1-dB input signal allows for any positive gain or offset error that may affect gain measurements at or close to 0-dB input signal levels.

14. The DAC input signal is the digital equivalent of a 1020-Hz sine wave (full-scale analog output at digital full-scale input = 0 dB). The nominal differential DAC channel output voltage with this input condition is 6 V peak to peak. The load impedance for the DAC output buffer is  $600\ \Omega$  from OUT+ to OUT–.

### 3.5.9 Relative Gain and Dynamic Range, $V_{DD} = 5\text{ V}$ , $f_S = 8\text{ kHz}$ (Unless Otherwise Noted)

| PARAMETER  | TEST CONDITIONS   | MIN | MAX        | UNIT |
|--|---|-----|------------|------|
| ADC channel relative gain tracking error (see Note 15) | –48-dB to –1-dB input signal range                                      |     | $\pm 0.15$ | dB   |
| DAC channel relative gain tracking error (see Note 16) | –48-dB to 0-dB input signal range<br>$R_{L(\text{diff})} = 600\ \Omega$ |     | $\pm 0.15$ |      |

NOTES: 15. ADC gain tracking is the ratio of the measured gain at one ADC channel input level to the gain measured at any other input level. The ADC channel input is a –1-dB 1020-Hz sine wave input signal. A –1-dB input signal allows for any positive gain or offset error that may affect gain measurements at or close to 0-dB ADC input signal levels.

16. DAC gain tracking is the ratio of the measured gain at one DAC channel digital input level to the gain measured at any other input level. The DAC-channel input signal is the digital equivalent of a 1020-Hz sine wave (digital full scale = 0 dB). The nominal differential DAC channel output voltage with this input condition is 6 V peak to peak. The load impedance for the DAC output buffer is  $600\ \Omega$  from OUT+ to OUT–.

### 3.5.10 Power-Supply Rejection, $V_{DD} = 5\text{ V}$ (Unless Otherwise Noted) (see Note 17)

| PARAMETER     |   | TEST CONDITIONS                      | MIN | TYP† | MAX | UNIT |
|---------------|---|--------------------------------------|-----|------|-----|------|
| ADC $V_{DD}$  | Supply-voltage rejection ratio, ADC channel | $f_i = 0$ to 30 kHz                  |     | 50   |     | dB   |
|               |   | $f_i = 30$ to 50 kHz                 |     | 55   |     |      |
| DAC $V_{DD}$  | Supply-voltage rejection ratio, DAC channel | $f_i = 0$ to 30 kHz                  |     | 40   |     |      |
|               |   | $f_i = 30$ to 50 kHz                 |     | 45   |     |      |
| DGTL $V_{DD}$ | Supply-voltage rejection ratio, ADC channel | $f_i = 0$ to 30 kHz                  |     | 50   |     |      |
|               |   | $f_i = 30$ to 50 kHz                 |     | 55   |     |      |
| DGTL $V_{DD}$ | Supply-voltage rejection ratio, DAC channel | Single ended,<br>$f_i = 0$ to 30 kHz |     | 40   |     |      |
|               |   | $f_i = 30$ to 50 kHz                 |     | 45   |     |      |
|               |   | Differential,<br>$f_i = 0$ to 30 kHz |     | 40   |     |      |
|               |   | $f_i = 30$ to 50 kHz                 |     | 45   |     |      |

† All typical values are at  $V_{DD} = 5\text{ V}$  and  $T_A = 25^\circ\text{C}$ .

NOTE 17: Power supply rejection measurements are made with both the ADC and the DAC channels idle and a 200-mV peak-to-peak signal applied to the appropriate supply.

### 3.5.11 Crosstalk Attenuation, $V_{DD} = 5\text{ V}$ (Unless Otherwise Noted)

| PARAMETER                         | TEST CONDITIONS  | MIN | TYP† | MAX | UNIT |
|-----------------------------------|--|-----|------|-----|------|
| ADC channel crosstalk attenuation | DAC channel idle with<br>DIN = 0000000000000000,<br>ADC input = 0 dB,<br>1020-Hz sine wave,<br>Gain = 0 dB (see Note 18) |     | 80   |     | dB   |
| DAC channel crosstalk attenuation | ADC channel idle with INP, INM,<br>AUX IN+, and AUX IN– at ADC $V_{MID}$   |     | 80   |     | dB   |
|                                   | DAC channel input = digital equivalent<br>of a 1020-Hz sine wave (see Note 19)   |     | 80   |     |      |

† All typical values are at  $V_{DD} = 5\text{ V}$  and  $T_A = 25^\circ\text{C}$ .

NOTES: 18. The test signal is a 1020-Hz sine wave with a 0 dB = 6-V peak-to-peak reference level for the analog input signal.

19. The input signal is the digital equivalent of a 1020-Hz sine wave (digital full scale = 0 dB). The nominal differential DAC channel output with this input condition is 6 V peak to peak. The load impedance for the DAC output buffer is 600  $\Omega$  from OUT+ to OUT–.

### 3.5.12 Monitor Output Characteristics, $V_{DD} = 5\text{ V}$ (Unless Otherwise Noted) (see Note 20)

| PARAMETER   |                                | TEST CONDITIONS   | MIN              | TYP†             | MAX              | UNIT     |
|-------------|--------------------------------|---|------------------|------------------|------------------|----------|
| $V_{O(PP)}$ | Peak-to-peak ac output voltage | Quiescent level = ADC $V_{MID}$<br>$Z_L = 10\text{ k}\Omega$ and $60\text{ pF}$ | 1.3              | 1.5              |                  | V        |
| $V_{OO}$    | Output offset voltage          | No load, single ended relative to ADC $V_{MID}$                                 |                  | 5                | 10               | mV       |
| $V_{OC}$    | Output common-mode voltage     | No load   | 0.4 ADC $V_{DD}$ | 0.5 ADC $V_{DD}$ | 0.6 ADC $V_{DD}$ | V        |
| $r_o$       | DC output resistance           |   |                  | 50               |                  | $\Omega$ |
| $A_V$       | Voltage gain (see Note 21)     | Gain = 0 dB   | -0.2             | 0                | 0.2              | dB       |
|             |                                | Gain 2 = -8 dB  | -8.2             | -8               | -7.8             |          |
|             |                                | Gain 3 = -18 dB   | -18.4            | -18              | -17.6            |          |
|             |                                | Squelch (see Note 22)   |                  |                  | -60              |          |

† All typical values are at  $V_{DD} = 5\text{ V}$  and  $T_A = 25^\circ\text{C}$ .

NOTES: 20. All monitor output tests are performed with a 10-k $\Omega$  load resistance.

21. Monitor gains are measured with a 1020-Hz, 6-V peak-to-peak sine wave applied differentially between  $IN+$  and  $IN-$ . The monitor output gains are nominally 0 dB, -8 dB, and -18 dB relative to its input; however, the output gains are -6 dB relative to  $IN+$  and  $IN-$  or  $AUX\ IN+$  and  $AUX\ IN-$ .

22. Squelch is measured differentially with respect to ADC  $V_{MID}$ .

### 3.6 Timing Requirements and Specifications in Master Mode

#### 3.6.1 Recommended Input Timing Requirements for Master Mode, $V_{DD} = 5\text{ V}$

|                      |   | MIN    | NOM | MAX | UNIT |
|----------------------|---|--------|-----|-----|------|
| $t_r(\text{MCLK})$   | Master clock rise time                          |        | 5   |     | ns   |
| $t_f(\text{MCLK})$   | Master clock fall time                          |        | 5   |     | ns   |
|                      | Master clock duty cycle                         | 40%    |     | 60% |      |
| $t_w(\text{RESET})$  | $\overline{\text{RESET}}$ pulse duration        | 1 MCLK |     |     |      |
| $t_{su}(\text{DIN})$ | DIN setup time before SCLK low (see Figure 4-2) | 25     |     |     | ns   |
| $t_h(\text{DIN})$    | DIN hold time after SCLK low (see Figure 4-2)   |        |     | 20  | ns   |

#### 3.6.2 Operating Characteristics Over Recommended Range of Operating Free-Air Temperature, $V_{DD} = 5\text{ V}$ (Unless Otherwise Noted) (see Note 23)

| PARAMETER               |  | MIN | TYP† | MAX | UNIT |
|-------------------------|--|-----|------|-----|------|
| $t_f(\text{SCLK})$      | Shift clock fall time (see Figure 4-2)   |     | 13   | 18  | ns   |
| $t_r(\text{SCLK})$      | Shift clock rise time (see Figure 4-2)   |     | 13   | 18  | ns   |
|                         | Shift clock duty cycle   | 45% |      | 55% |      |
| $t_d(\text{CH-FL})$     | Delay time from SCLK high to $\overline{\text{FSD}}$ low (see Figures 4-2 and 4-4 and Note 24) |     | 5    | 15  | ns   |
| $t_d(\text{CH-FH})$     | Delay time from SCLK high to $\overline{\text{FS}}$ high (see Figure 4-2)                      |     | 5    | 20  | ns   |
| $t_d(\text{CH-DOOUT})$  | Delay time from SCLK high to DOUT valid (see Figures 4-2 and 4-7)                              |     |      | 20  | ns   |
| $t_d(\text{CH-DOOUTZ})$ | Delay time from SCLK $\uparrow$ to DOUT in high-impedance state (see Figure 4-8)               |     | 20   |     | ns   |
| $t_d(\text{ML-EL})$     | Delay time from MCLK low to EOC low (see Figure 4-9)   |     | 40   |     | ns   |
| $t_d(\text{ML-EH})$     | Delay time from MCLK low to EOC high (see Figure 4-9)  |     | 40   |     | ns   |
| $t_f(\text{EL})$        | EOC fall time (see Figure 4-9)   |     | 13   |     | ns   |
| $t_r(\text{EH})$        | EOC rise time (see Figure 4-9)   |     | 13   |     | ns   |
| $t_d(\text{MH-CH})$     | Delay time from MCLK high to SCLK high   |     |      | 50  | ns   |
| $t_d(\text{MH-CL})$     | Delay time from MCLK high to SCLK low  |     |      | 50  | ns   |

† All typical values are at  $V_{DD} = 5\text{ V}$  and  $T_A = 25^\circ\text{C}$ .

NOTES: 23. All timing specifications are valid with  $C_L = 20\text{ pF}$ .

24.  $\overline{\text{FSD}}$  occurs 1/2 shift-clock cycle ahead of  $\overline{\text{FS}}$  when the device is operating in the master mode.

### 3.7 Timing Requirements and Specifications in Slave Mode and Codec Emulation Mode

#### 3.7.1 Recommended Input Timing Requirements for Slave Mode, $V_{DD} = 5\text{ V}$

|                        |   | MIN    | NOM | MAX                 | UNIT |
|------------------------|---|--------|-----|---------------------|------|
| $t_{r(\text{MCLK})}$   | Master clock rise time                                  |        | 5   |                     | ns   |
| $t_{f(\text{MCLK})}$   | Master clock fall time                                  |        | 5   |                     | ns   |
|                        | Master clock duty cycle                                 | 40%    |     | 60%                 |      |
| $t_{w(\text{RESET})}$  | $\overline{\text{RESET}}$ pulse duration                | 1 MCLK |     |                     |      |
| $t_{su(\text{DIN})}$   | DIN setup time before SCLK low (see Figure 4–3)         | 20     |     |                     | ns   |
| $t_{h(\text{DIN})}$    | DIN hold time after SCLK high (see Figure 4–3)          |        |     | 20                  | ns   |
| $t_{su(\text{FL-CH})}$ | Setup time from $\overline{\text{FS}}$ low to SCLK high |        |     | $\pm \text{SCLK}/4$ | ns   |

#### 3.7.2 Operating Characteristics Over Recommended Range of Operating Free-Air Temperature, $V_{DD} = 5\text{ V}$ (Unless Otherwise Noted) (see Note 23)

| PARAMETER               |   | MIN | TYP† | MAX | UNIT |
|-------------------------|---|-----|------|-----|------|
| $t_c(\text{SCLK})$      | Shift clock cycle time (see Figure 4–3)   | 125 |      |     | ns   |
| $t_f(\text{SCLK})$      | Shift clock fall time (see Figure 4–3)  |     |      | 18  | ns   |
| $t_r(\text{SCLK})$      | Shift clock rise time (see Figure 4–3)  |     |      | 18  | ns   |
|                         | Shift clock duty cycle  | 45% |      | 55% |      |
| $t_d(\text{CH-FDL})$    | Delay time from SCLK high to $\overline{\text{FSD}}$ low (see Figure 4–6)                                   |     |      | 50  | ns   |
| $t_d(\text{CH-FDH})$    | Delay time from SCLK high to $\overline{\text{FSD}}$ high   |     |      | 40  | ns   |
| $t_d(\text{FL-FDL})$    | Delay time from $\overline{\text{FS}}$ low to $\overline{\text{FSD}}$ low (slave to slave) (see Figure 4–5) |     |      | 40  | ns   |
| $t_d(\text{CH-DOOUT})$  | Delay time from SCLK high to DOUT valid (see Figures 4–3 and 4–7)   |     |      | 40  | ns   |
| $t_d(\text{CH-DOOUTZ})$ | Delay time from SCLK $\uparrow$ to DOUT in high-impedance state (see Figure 4–8)                            |     | 20   |     | ns   |
| $t_d(\text{ML-EL})$     | Delay time from MCLK low to EOC low (see Figure 4–9)  |     | 40   |     | ns   |
| $t_d(\text{ML-EH})$     | Delay time from MCLK low to EOC high (see Figure 4–9)   |     | 40   |     | ns   |
| $t_f(\text{EL})$        | EOC fall time (see Figure 4–9)  |     | 13   |     | ns   |
| $t_r(\text{EH})$        | EOC rise time (see Figure 4–9)  |     | 13   |     | ns   |
| $t_d(\text{MH-CH})$     | Delay time from MCLK high to SCLK high  |     |      | 50  | ns   |
| $t_d(\text{MH-CL})$     | Delay time from MCLK high to SCLK low   |     |      | 50  | ns   |

† All typical values are at  $V_{DD} = 5\text{ V}$  and  $T_A = 25^\circ\text{C}$ .

NOTE 23: All timing specifications are valid with  $C_L = 20\text{ pF}$ .



## 4 Parameter Measurement Information

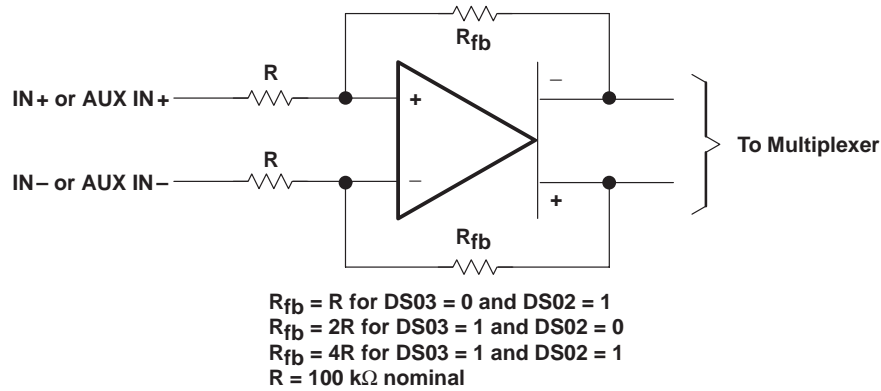


Figure 4–1. IN+ and IN– Gain-Control Circuitry

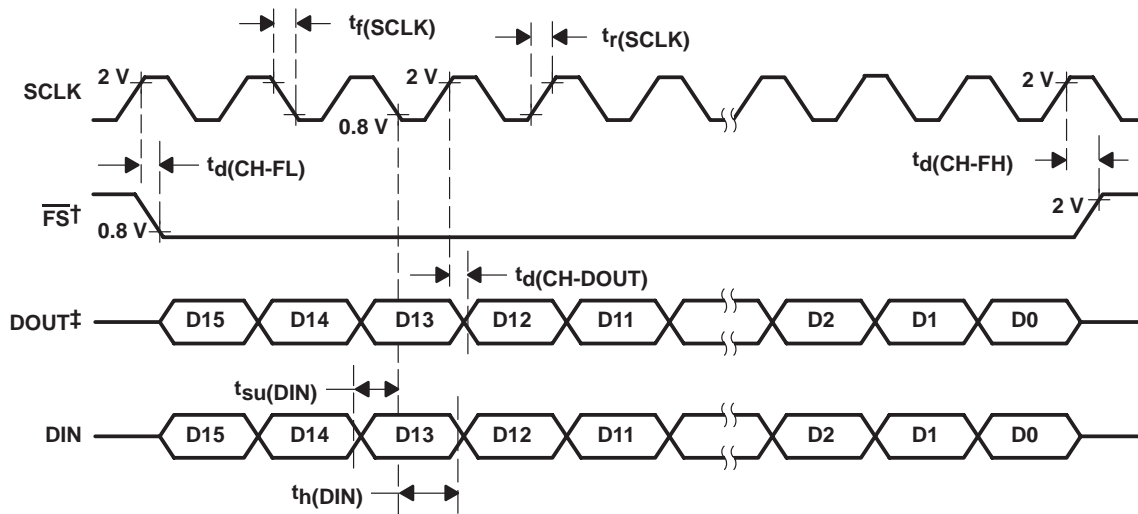
Table 4–1. Gain Control (Analog Input Signal Required for Full-Scale Bipolar A/D-Conversion 2s Complement)<sup>†</sup>

| INPUT CONFIGURATION  | CONTROL REGISTER 4 |      | ANALOG INPUT <sup>‡</sup>     | A/D CONVERSION RESULT |
|--|--------------------|------|-------------------------------|-----------------------|
|  | DS03               | DS02 |                               |                       |
| Differential configuration<br>Analog input = IN+ – IN–<br>= AUX IN+ – AUX IN–                      | 0                  | 0    | All                           | Squelch               |
|  | 0                  | 1    | $V_{ID} = \pm 3 \text{ V}$    | $\pm$ Full scale      |
|  | 1                  | 0    | $V_{ID} = \pm 1.5 \text{ V}$  | $\pm$ Full scale      |
|  | 1                  | 1    | $V_{ID} = \pm 0.75 \text{ V}$ | $\pm$ Full scale      |
| Single-ended configuration <sup>§</sup><br>Analog input = IN+ – $V_{MID}$<br>= AUX IN+ – $V_{MID}$ | 0                  | 0    | All                           | Squelch               |
|  | 0                  | 1    | $V_I = \pm 1.5 \text{ V}$     | $\pm$ Half scale      |
|  | 1                  | 0    | $V_I = \pm 1.5 \text{ V}$     | $\pm$ Full scale      |
|  | 1                  | 1    | $V_I = \pm 0.75 \text{ V}$    | $\pm$ Full scale      |

<sup>†</sup>  $V_{DD} = 5 \text{ V}$

<sup>‡</sup>  $V_{ID}$  = differential input voltage,  $V_I$  = input voltage referenced to ADC  $V_{MID}$  with IN– or AUX IN– connected to ADC  $V_{MID}$ . In order to minimize distortion, it is recommended that the analog input not exceed 0.1 dB below full scale.

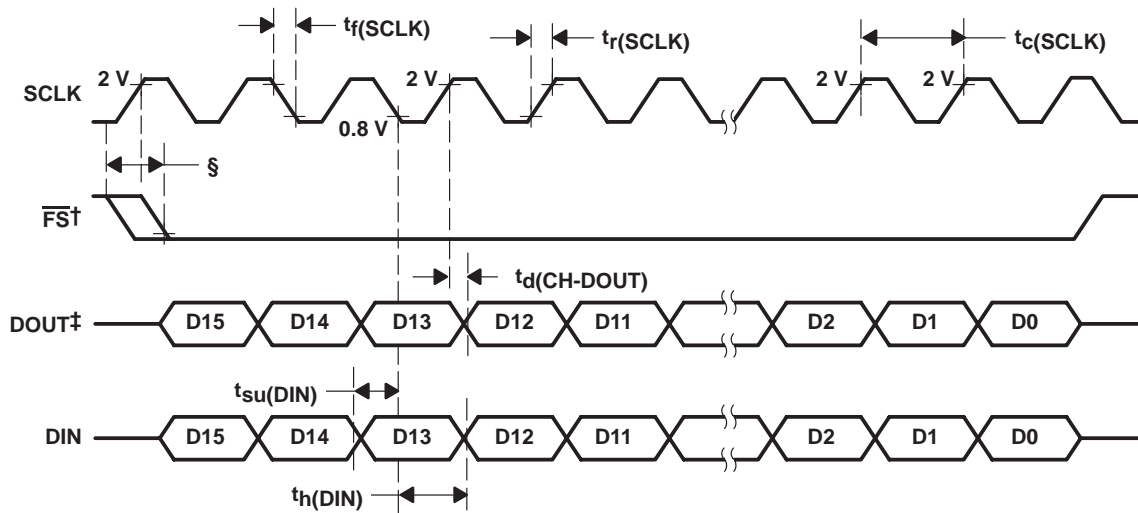
<sup>§</sup> For single-ended inputs, the analog input voltage should not exceed the supply rails. All single-ended inputs should be referenced to the internal reference voltage, ADC  $V_{MID}$ , for best common-mode performance.



† The time between falling edges of two primary  $\overline{FS}$  signals is the conversion period.

‡ The data on DOUT are shifted out on the rising edge of the shift clock, and the data on DIN are shifted in on the falling edge of the shift clock.

Figure 4–2. AIC Stand-Alone and Master-Mode Timing

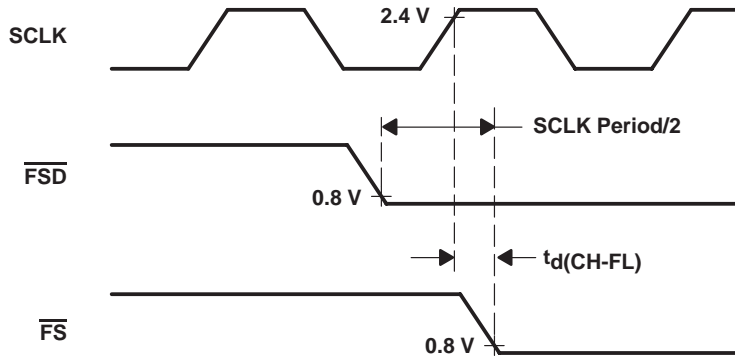


† The time between falling edges of two primary  $\overline{FS}$  signals is the conversion period.

‡ The data on DOUT are shifted out on the rising edge of the shift clock, and the data on DIN are shifted in on the falling edge of the shift clock.

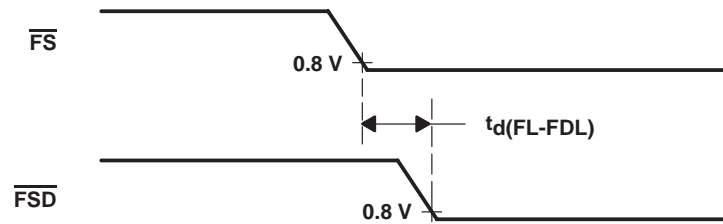
§ The high-to-low transition of  $\overline{FS}$  must occur within  $\pm 1/4$  of a shift-clock period around the 2-V level of the shift clock for the codec mode.

Figure 4–3. AIC Slave and Codec Emulation Mode



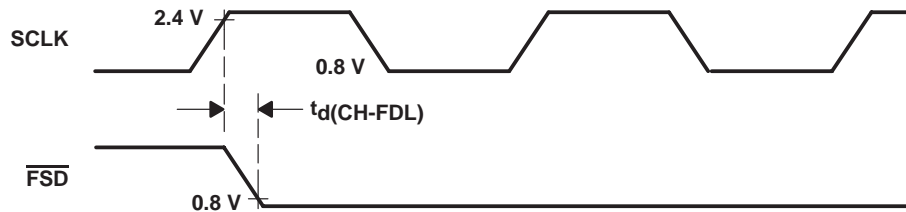
NOTE A: Timing shown is for the TLC320AC01 operating as the master or as a stand-alone device.

**Figure 4–4. Master or Stand-Alone  $\overline{FS}$  and  $\overline{FSD}$  Timing**



NOTE A: Timing shown is for the TLC320AC01 operating in the slave mode ( $\overline{FS}$  and SCLK signals are generated externally). The programmed data value in the FSD register is 0.

**Figure 4–5. Slave  $\overline{FS}$  to  $\overline{FSD}$  Timing**



NOTE A: Timing shown is for the TLC320AC01 operating in the slave mode ( $\overline{FS}$  and SCLK signals are generated externally). There is a data value in the FSD register greater than 18 (decimal).

**Figure 4 – 6. Slave SCLK to  $\overline{FSD}$  Timing**

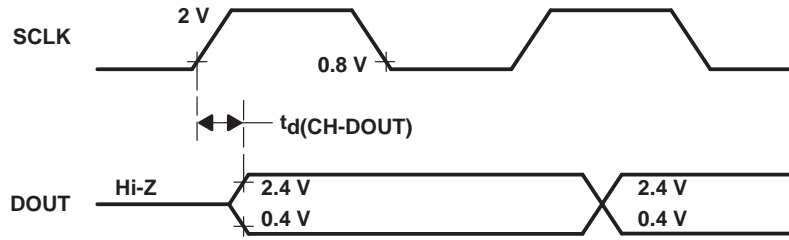


Figure 4-7. DOUT Enable Timing From Hi-Z

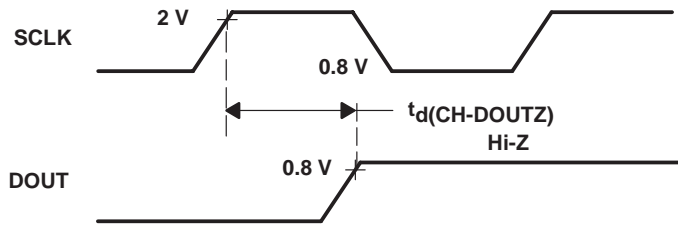


Figure 4-8. DOUT Delay Timing to Hi-Z

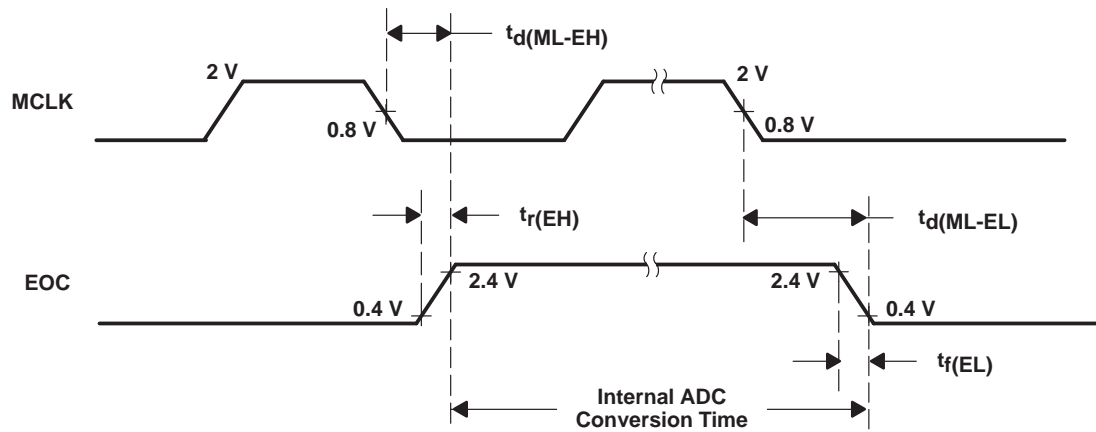
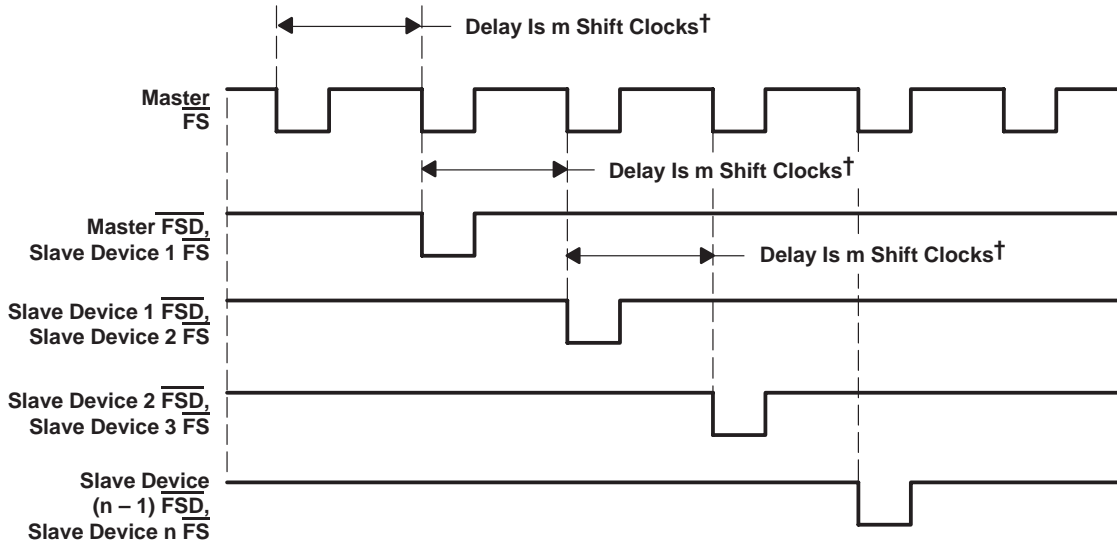


Figure 4-9. EOC Frame Timing



† The delay time from any  $\overline{FS}$  signals to the corresponding  $\overline{FSD}$  signals is  $m$  shift clocks with the value of  $m$  being the numerical value of the data programmed into the FSD register. In the master mode with slaves, the same data word programs the master and all slave devices; therefore, master to slave 1, slave 1 to slave 2, slave 2 to slave 3, etc., have the same delay time.

Figure 4–10. Master-Slave Frame-Sync Timing After a Delay Has Been Programmed Into the FSD Registers

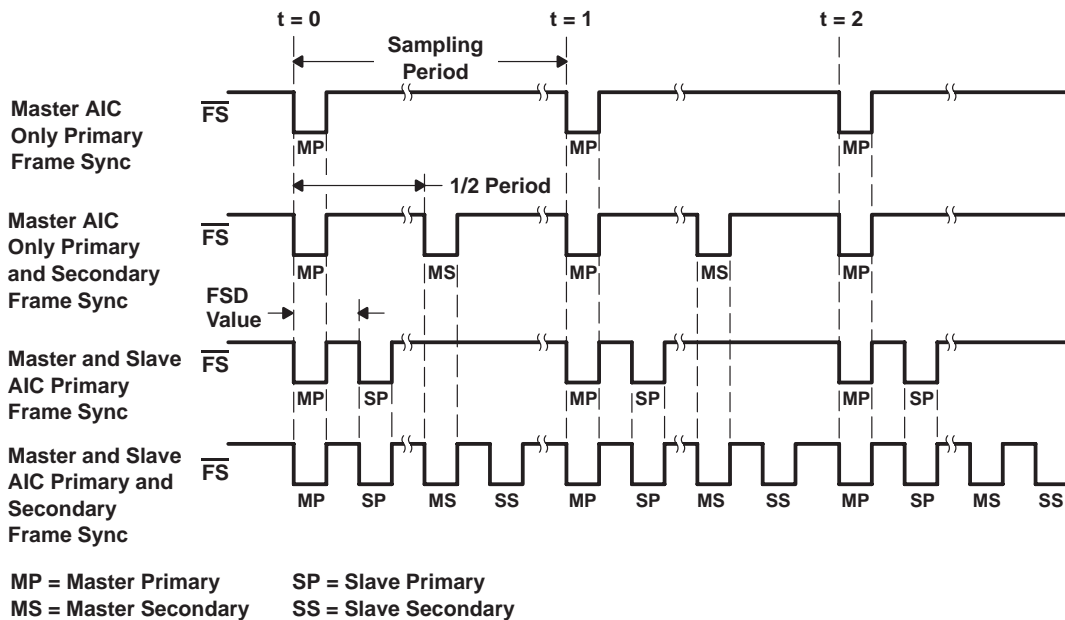
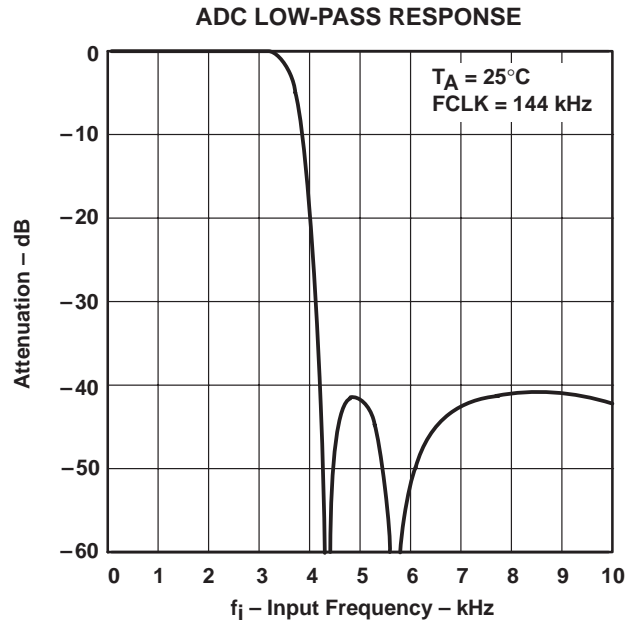


Figure 4–11. Master and Slave Frame-Sync Sequence with One Slave

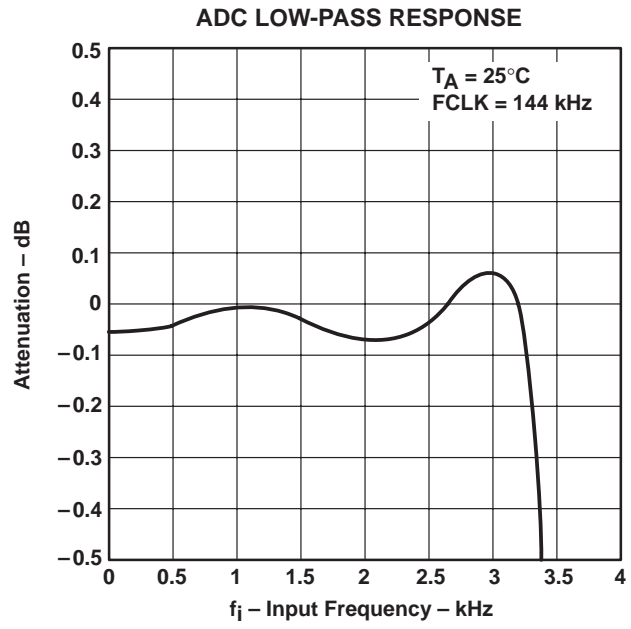


## 5 Typical Characteristics



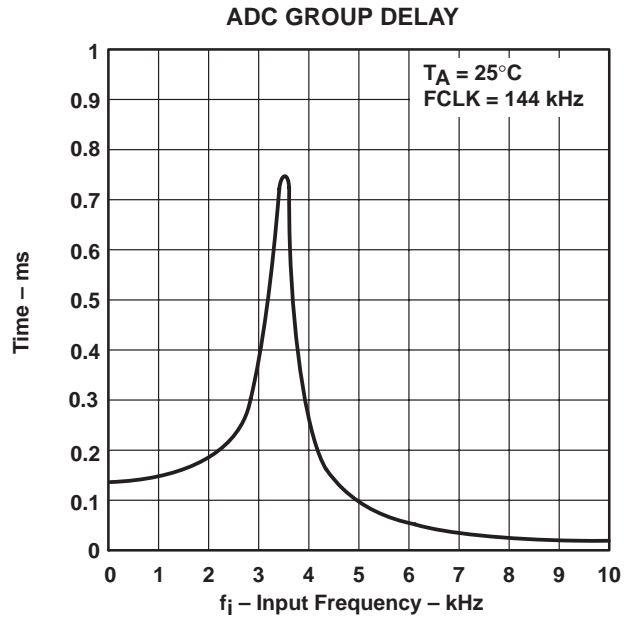
NOTE A : Absolute Frequency (kHz) =  $\frac{\text{Normalized Frequency} \times \text{FCLK (kHz)}}{144}$

Figure 5–1



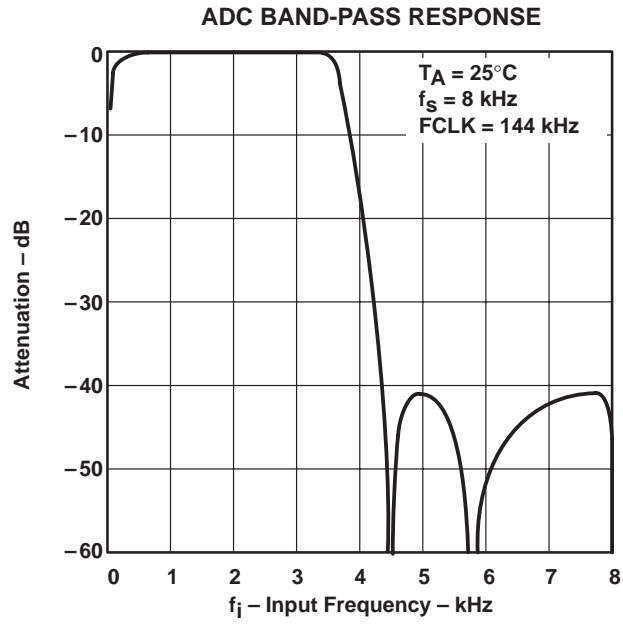
NOTE A : Absolute Frequency (kHz) =  $\frac{\text{Normalized Frequency} \times \text{FCLK (kHz)}}{144}$

Figure 5-2



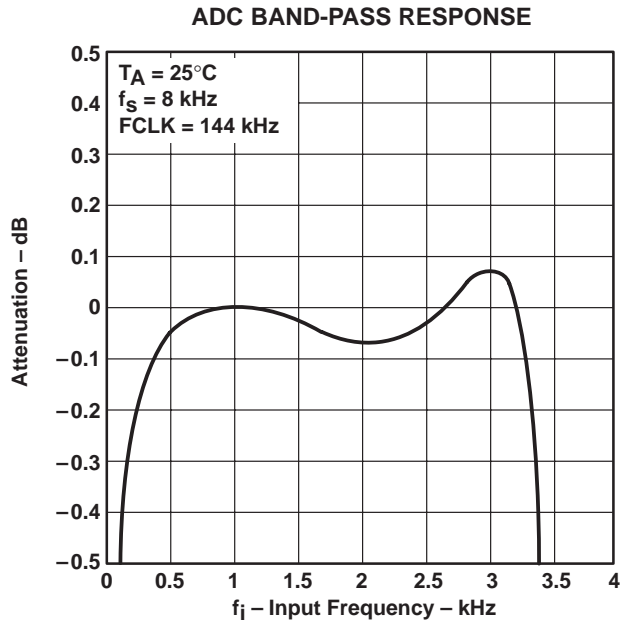
NOTE A : Absolute Frequency (kHz) =  $\frac{\text{Normalized Frequency} \times F_{CLK} \text{ (kHz)}}{144}$

**Figure 5–3**



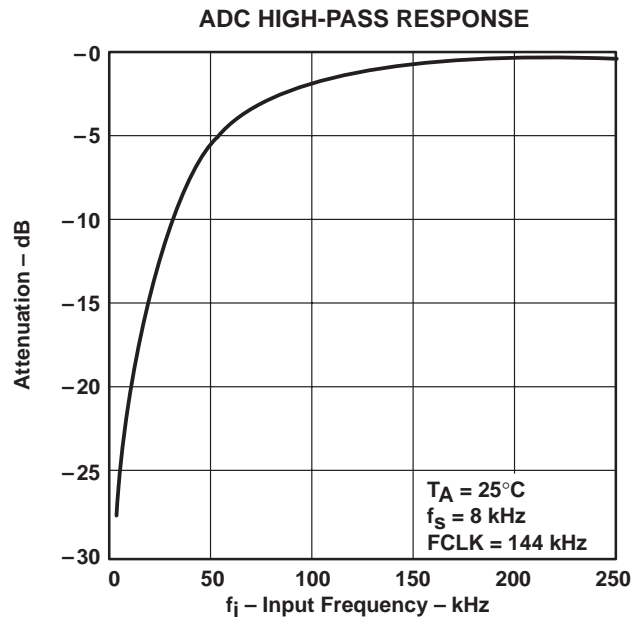
NOTE A : Absolute Frequency (kHz) =  $\frac{\text{Normalized Frequency} \times \text{FCLK (kHz)}}{144}$

Figure 5-4



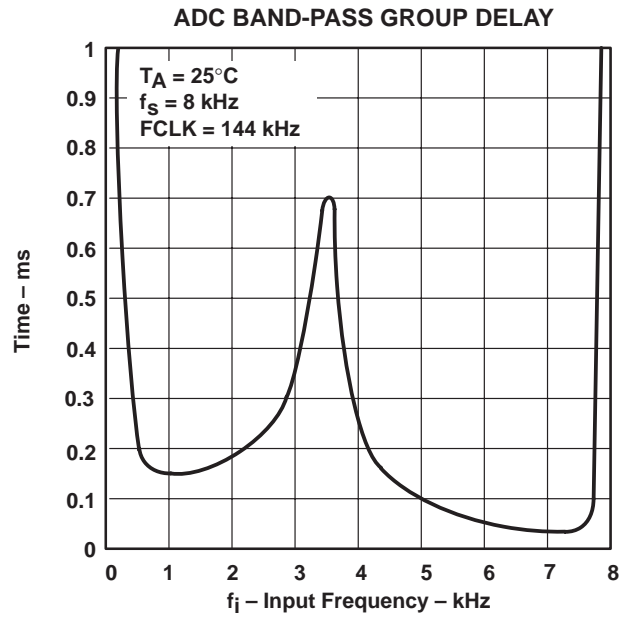
NOTE A : Absolute Frequency (kHz) =  $\frac{\text{Normalized Frequency} \times FCLK \text{ (kHz)}}{144}$

Figure 5-5



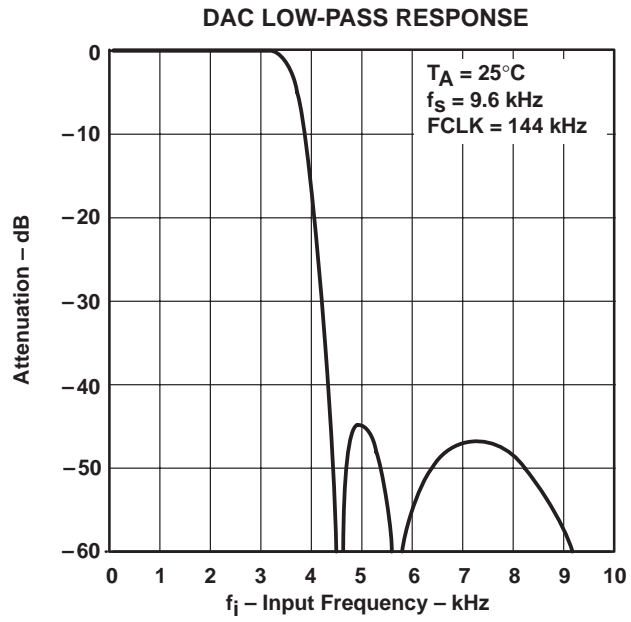
NOTE A : Absolute Frequency (kHz) =  $\frac{\text{Normalized Frequency} \times \text{FCLK (kHz)}}{144}$

Figure 5-6



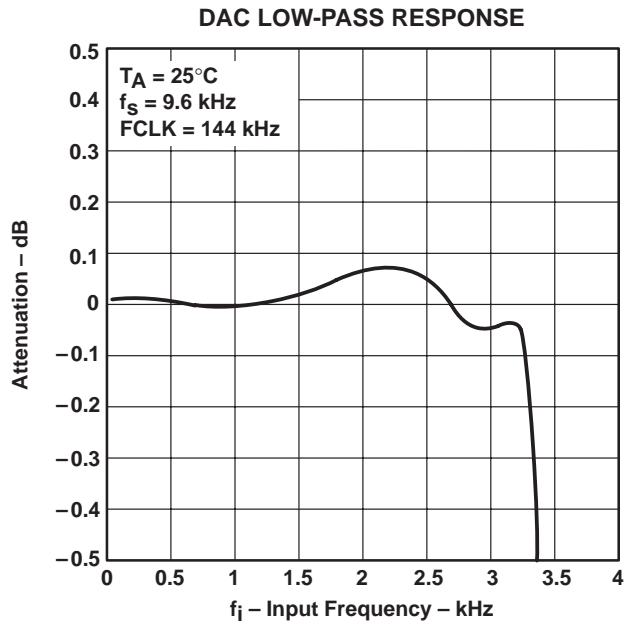
NOTE A : Absolute Frequency (kHz) =  $\frac{\text{Normalized Frequency} \times F_{CLK} \text{ (kHz)}}{144}$

Figure 5-7



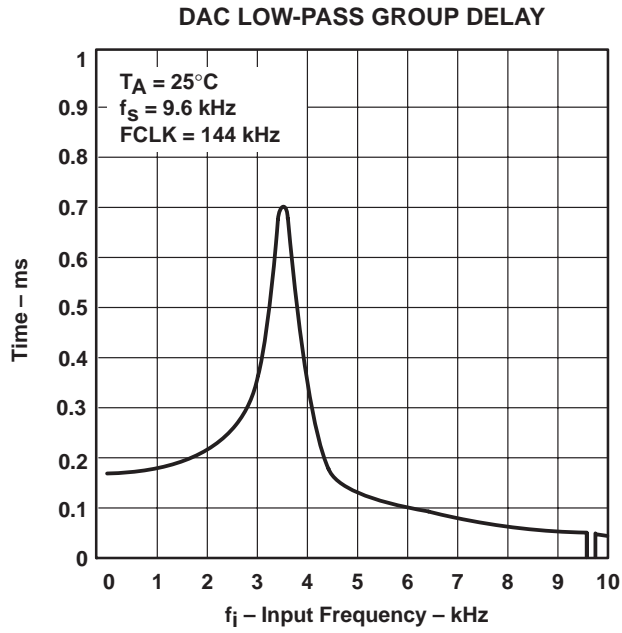
NOTE A : Absolute Frequency (kHz) =  $\frac{\text{Normalized Frequency} \times \text{FCLK (kHz)}}{144}$

Figure 5–8



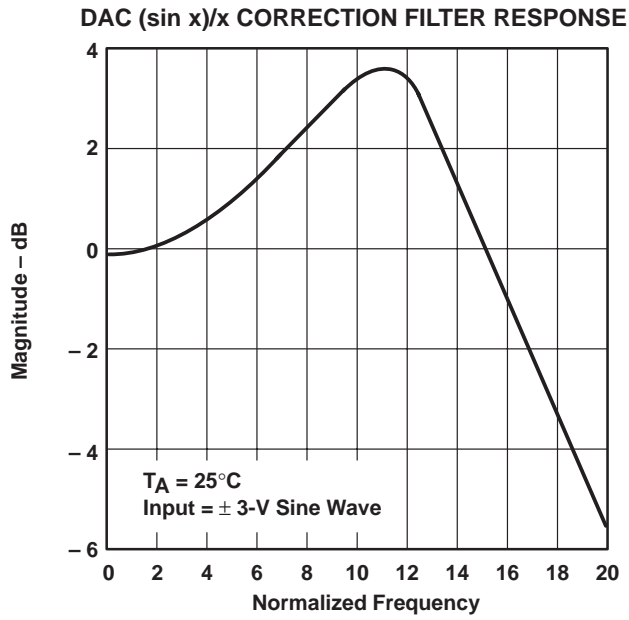
NOTE A : Absolute Frequency (kHz) =  $\frac{\text{Normalized Frequency} \times \text{FCLK (kHz)}}{144}$

**Figure 5-9**



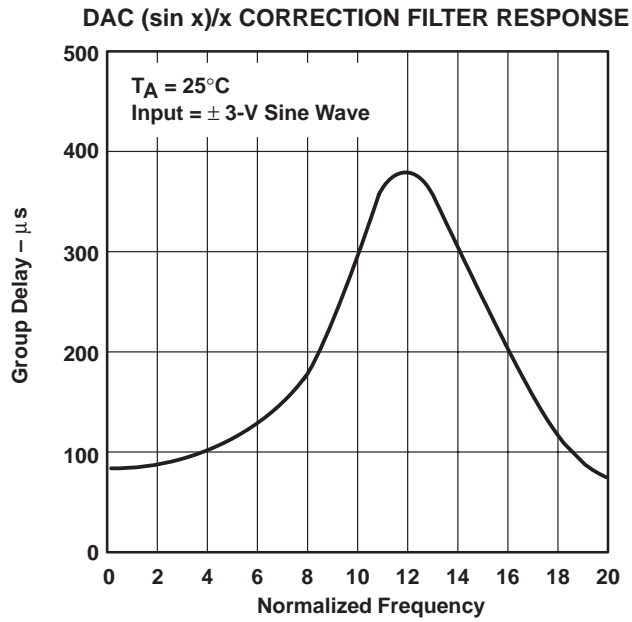
NOTE A : Absolute Frequency (kHz) =  $\frac{\text{Normalized Frequency} \times FCLK \text{ (kHz)}}{144}$

**Figure 5-10**



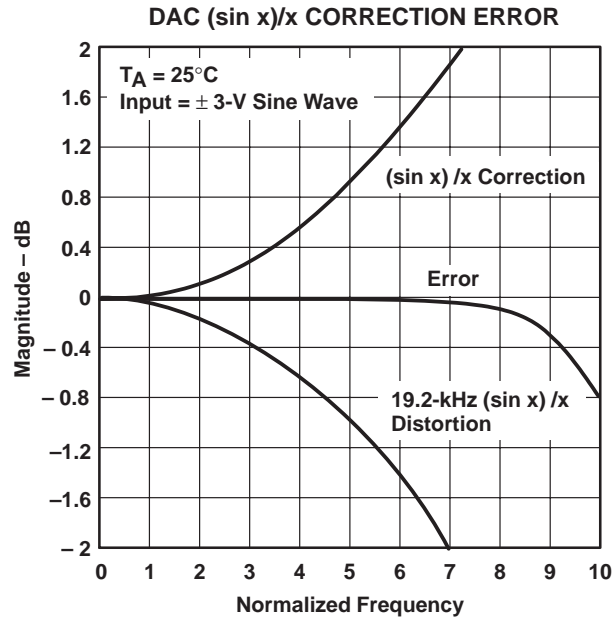
NOTE A : Absolute Frequency (kHz) =  $\frac{\text{Normalized Frequency} \times \text{FCLK (kHz)}}{288}$

**Figure 5-11**



NOTE A : Absolute Frequency (kHz) =  $\frac{\text{Normalized Frequency} \times \text{FCLK (kHz)}}{288}$

**Figure 5-12**

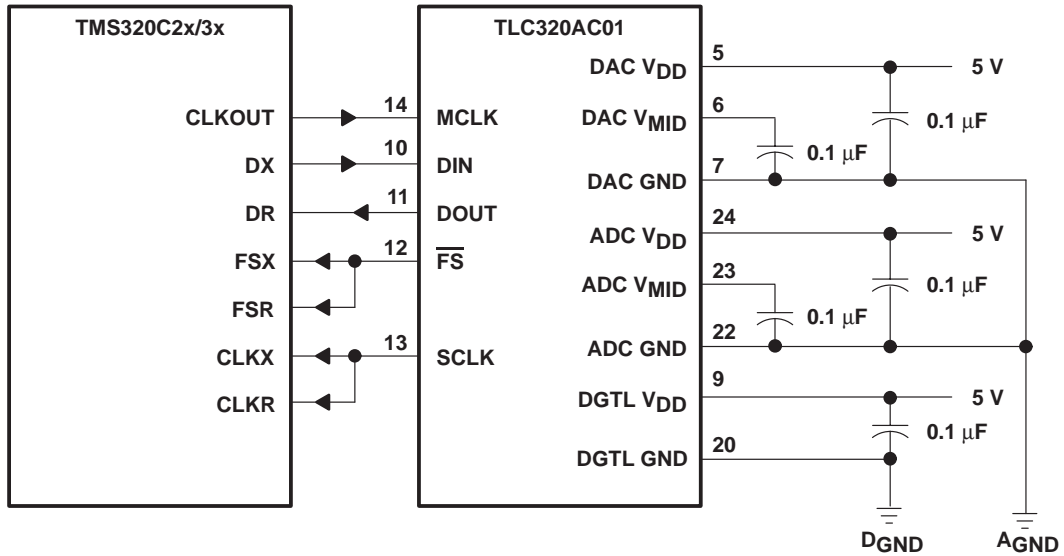


NOTE A : Absolute Frequency (kHz) =  $\frac{\text{Normalized Frequency} \times \text{FCLK (kHz)}}{288}$

**Figure 5-13**

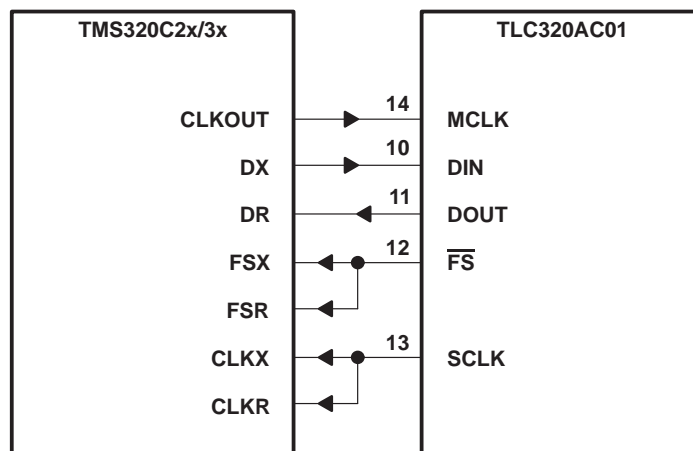


## 6 Application Information



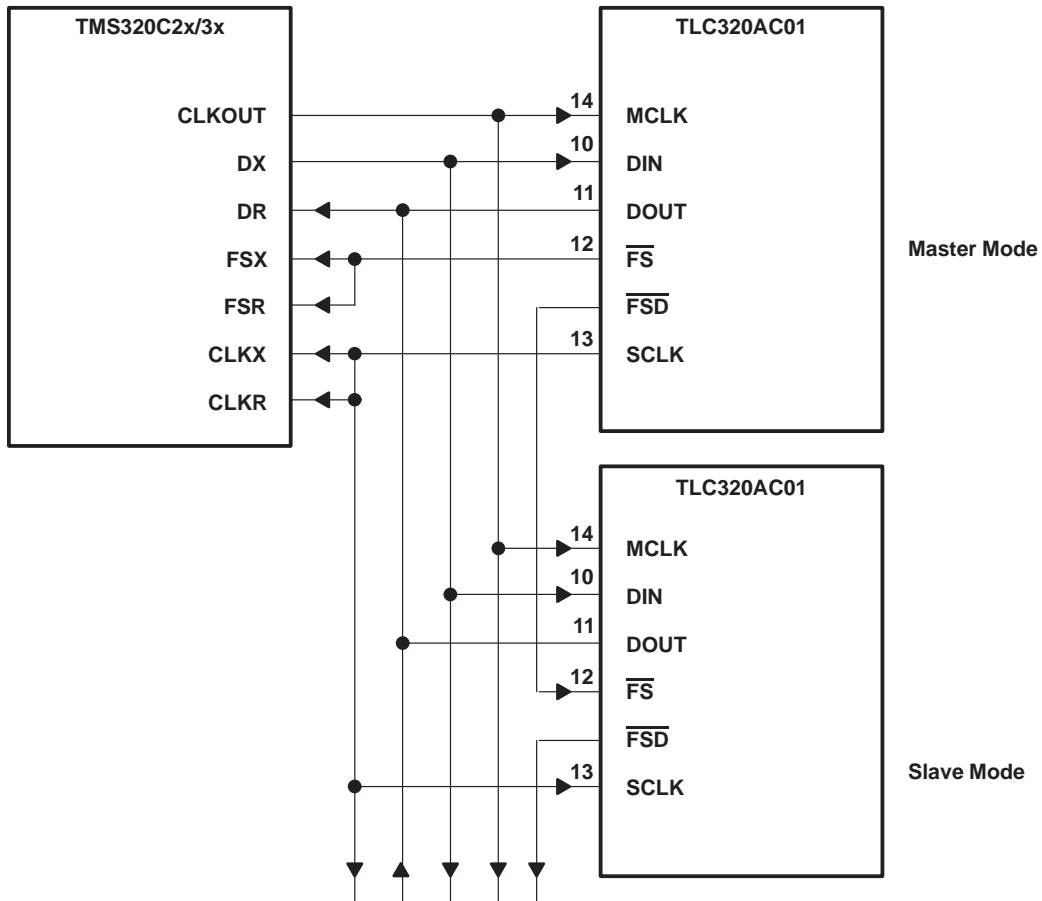
NOTE A: Terminal numbers shown are for the FN package.

Figure 6–1. Stand-Alone Mode (to DSP Interface)



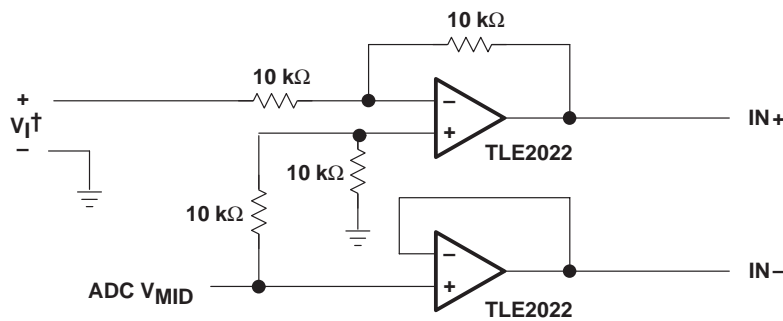
NOTE A: Terminal numbers shown are for the FN package.

Figure 6–2. Codec Mode (to DSP Interface)



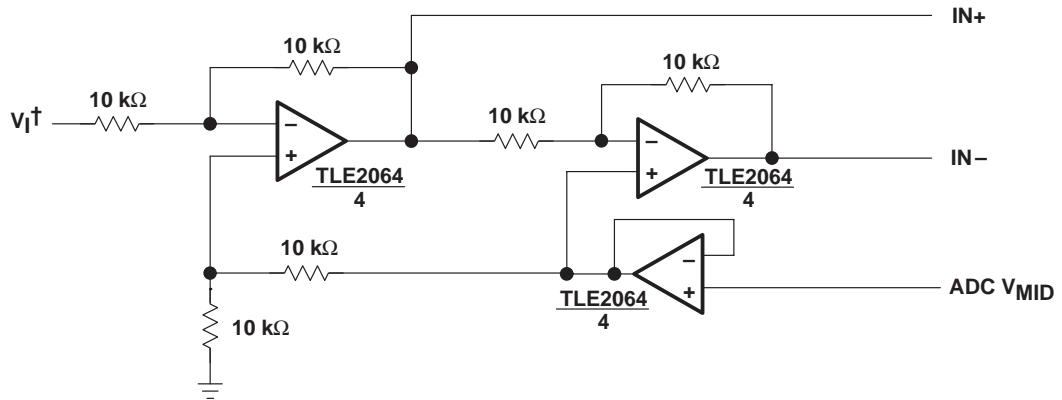
NOTE A: Terminal numbers shown are for the FN package.

Figure 6–3. Master With Slave (to DSP Interface)



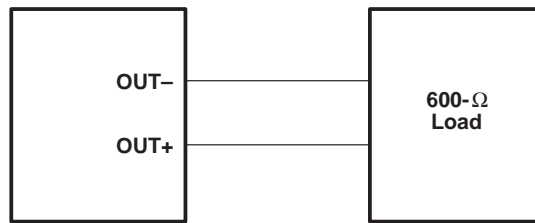
† The  $V_1$  source must be capable of sinking a current equal to  $[ADC\ V_{MID} + |V_{I1}(\max)|]/10\text{ k}\Omega$ .

Figure 6–4. Single-Ended Input (Ground Referenced)

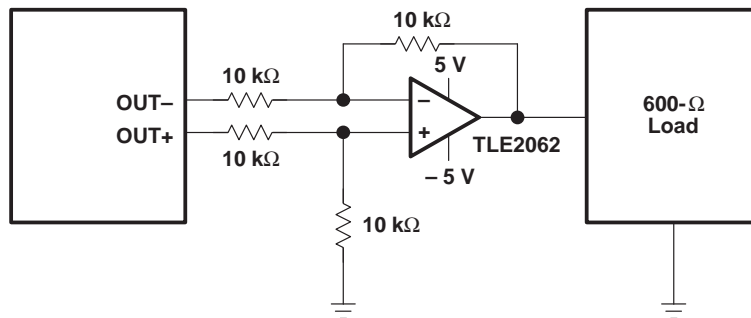


† The  $V_I$  source must be capable of sinking a current equal to  $[(ADC V_{MID}/2) + |V_I|(\max)]/10 \text{ k}\Omega$ .

**Figure 6–5. Single-Ended to Differential Input (Ground Referenced)**

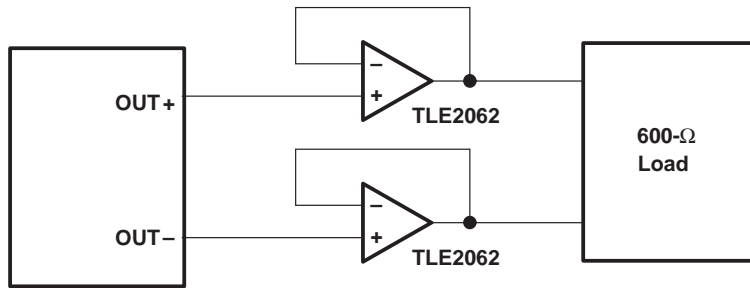


**Figure 6–6. Differential Load**

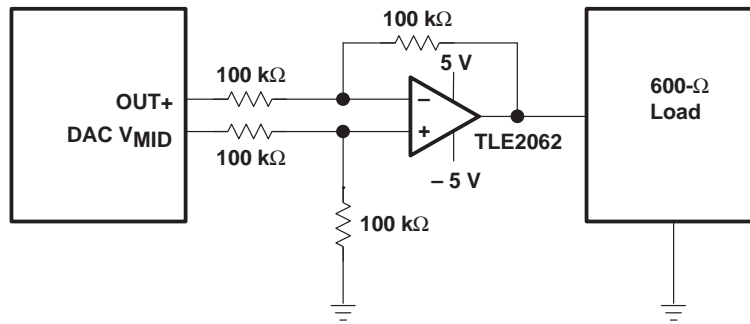


NOTE A: When a signal changes from a single supply with a nonzero reference system to a grounded load, the operational amplifier must be powered from plus and minus supplies or the load must be capacitively coupled.

**Figure 6–7. Differential Output Drive (Ground Referenced)**



**Figure 6–8. Low-Impedance Output Drive**



NOTE A: When a signal changes from a single supply with a nonzero reference system to a grounded load, the operational amplifier must be powered from plus and minus supplies or the load must be capacitively coupled.

**Figure 6–9. Single-Ended Output Drive (Ground Referenced)**

## Appendix A

### Primary Control Bits

The function of the primary-word control bits D01 and D00 and the hardware terminals FC0 and FC1 are shown below. Any combinational state of D01, D00, FC1, and FC0 not shown is ignored.

**CONTROL FUNCTION OF CONTROL BITS**

| BITS |     | TERMINALS |     |   |
|------|-----|-----------|-----|---|
| D01  | D00 | FC1       | FC0 |   |
| 0    | 0   | 0         | 0   | On the next falling edge of $\overline{FS}$ , the AIC receives DAC data D15–D02 to DIN and transmits the ADC data D15–D00 from DOUT.  |
| 0    | 0   | 0         | 1   | On the next falling edge of $\overline{FS}$ , the AIC receives DAC data D15–D02 to DIN and transmits the ADC data D15–D00 from DOUT.<br><br>The phase adjustment is determined by the state of FC1 and FC0 such that on the next rising edge of the next internal $\overline{FS}$ , the next ADC/DAC sampling time occurs later by the number of MCLK periods equal to the value contained in the A' register. When the A' register value is negative, the internal falling edge of $\overline{FS}$ occurs earlier. |
| 0    | 0   | 1         | 0   | On the next falling edge of $\overline{FS}$ , the AIC receives DAC data D15–D02 at DIN and transmits the ADC data D15–D00 from DOUT.<br><br>The phase adjustment is determined by the state of FC1 and FC0 such that on the rising edge of the next internal $\overline{FS}$ , the next ADC/DAC sample time occurs earlier by the number of MCLK periods determined by the value contained in the A' register. When the A' register value is negative, the internal falling edge of $\overline{FS}$ occurs later.   |
| 0    | 0   | 1         | 1   | On the next falling edge of the primary $\overline{FS}$ , the AIC receives DAC data D15–D02 at DIN and transmits the ADC data D15–D00 from DOUT.<br><br>When FC0 and FC1 are both taken high, the AIC initiates a secondary $\overline{FS}$ to receive a secondary control word at DIN. The secondary frame sync occurs at 1/2 the sampling time as measured from the falling edge of the primary $\overline{FS}$ .   |
| 0    | 1   | 0         | 0   | On the next falling edge of $\overline{FS}$ , the AIC receives DAC data D15–D02 to DIN and transmits the ADC data D15–D00 from DOUT.<br><br>The phase adjustment is determined by the state of D01 and D00 such that on the next rising edge of $\overline{FS}$ , the next ADC/DAC sampling time occurs later by the number of MCLK periods determined by the value contained in the A' register. When the A' register value is negative, the falling edge of $\overline{FS}$ occurs earlier.                       |
| 1    | 0   | 0         | 0   | On the next falling edge of $\overline{FS}$ , the AIC receives DAC data D15–D02 at DIN and transmits the ADC data D15–D00 from DOUT.<br><br>The phase adjustment is determined by the state of D01 and D00. On the next rising edge of $\overline{FS}$ , the next ADC/DAC sampling time occurs earlier by the number of MCLK periods determined by the value contained in the A' register. When the A' register value is negative, the internal falling edge of $\overline{FS}$ occurs later.                       |
| 1    | 1   | 0         | 0   | On the next falling edge of $\overline{FS}$ , the AIC receives DAC data D15–D02 to DIN and transmits the ADC data D15–D00 from DOUT.<br><br>When D00 and D01 are both high, the AIC initiates a secondary $\overline{FS}$ to receive a secondary control word at DIN. The secondary frame sync occurs at 1/2 the sampling time as measured from the falling edge of the primary $\overline{FS}$ .   |

### CONTROL FUNCTION OF CONTROL BITS (Continued)

| BITS |     | TERMINALS |     |   |
|------|-----|-----------|-----|---|
| D01  | D00 | FC1       | FC0 |   |
| 0    | 1   | 1         | 1   | <p>On the next falling edge of <math>\overline{FS}</math>, the AIC receives DAC data D15–D02 to DIN and transmits the ADC data D15–D00 from DOUT.</p> <p>The phase adjustment is determined by the state of D01 and D00 such that on the next rising edge of <math>\overline{FS}</math>, the next ADC/DAC sampling time occurs later by the number of MCLK periods determined by the value contained in the A' register. When the A' register value is negative, <math>\overline{FS}</math> occurs earlier.</p> <p>When FC0 and FC1 are both taken high, the AIC initiates a secondary <math>\overline{FS}</math> to receive a secondary control word at DIN. The secondary frame sync occurs at 1/2 the sampling time as measured from the falling edge of the primary <math>\overline{FS}</math>.</p> |
| 1    | 0   | 1         | 1   | <p>On the next falling edge of <math>\overline{FS}</math>, the AIC receives DAC data D15–D02 at DIN and transmits the ADC data D15–D00 from DOUT.</p> <p>The phase adjustment is determined by the state of D01 and D00. On the next rising edge of <math>\overline{FS}</math>, the next ADC/DAC sample time occurs earlier by the number of MCLK periods determined by the value contained in the A' register. When the A' register value is negative, <math>\overline{FS}</math> occurs later.</p> <p>When FC0 and FC1 are both taken high, the AIC initiates a secondary <math>\overline{FS}</math> to receive a secondary control word at DIN. The secondary frame sync occurs at 1/2 the sampling time as measured from the falling edge of the primary <math>\overline{FS}</math>.</p>            |
| 1    | 1   | 1         | 1   | <p>On the next falling edge of the primary <math>\overline{FS}</math>, the AIC receives DAC data D15–D02 at DIN and transmits the ADC data D15–D00 from DOUT.</p> <p>When FC1 and FC0 are both high or D01 and D00 are both high, the AIC initiates a secondary <math>\overline{FS}</math> to receive a secondary control word at DIN. The secondary <math>\overline{FS}</math> occurs at 1/2 the sampling time measured from the falling edge of the primary <math>\overline{FS}</math>.</p>   |
| 1    | 1   | 0         | 1   | <p>On the next falling edge of <math>\overline{FS}</math>, the AIC receives DAC data D15–D02 to DIN and transmits the ADC data D15–D00 from DOUT.</p> <p>When D00 and D01 are high, the AIC initiates a secondary <math>\overline{FS}</math> to receive a secondary control word at DIN. The secondary frame sync occurs at 1/2 the sampling time as measured from the falling edge of the primary <math>\overline{FS}</math>.</p> <p>The phase adjustment is determined by the state of FC1 and FC0 such that on the next rising edge of <math>\overline{FS}</math>, the next ADC/DAC sampling time occurs later by the number of MCLK periods determined by the value contained in the A' register. When the A' register value is negative, <math>\overline{FS}</math> occurs earlier.</p>            |
| 1    | 1   | 1         | 0   | <p>On the next falling edge of <math>\overline{FS}</math>, the AIC receives DAC data D15–D02 to DIN and transmits the ADC data D15–D00 from DOUT.</p> <p>When D00 and D01 are high, the AIC initiates a secondary <math>\overline{FS}</math> to receive a secondary control word at DIN. The secondary frame sync occurs at 1/2 the sampling time as measured from the falling edge of the primary <math>\overline{FS}</math>.</p> <p>The phase adjustment is determined by the state of FC1 and FC0 such that on the next rising edge of <math>\overline{FS}</math>, the next ADC/DAC sampling time occurs later by the number of MCLK periods determined by the value contained in the A' register. When the A' register value is negative, <math>\overline{FS}</math> occurs earlier.</p>            |
| 1    | 1   | 1         | 1   | <p>On the next falling edge of <math>\overline{FS}</math>, the AIC receives DAC data D15–D02 at DIN and transmits the ADC data D15–D00 from DOUT.</p> <p>When FC1 and FC0 are both high or D01 and D00 are both high, the AIC initiates a secondary <math>\overline{FS}</math> to receive a secondary control word at DIN. The secondary <math>\overline{FS}</math> occurs at 1/2 the sampling time measured from the falling edge of the primary <math>\overline{FS}</math>.</p>   |

## Appendix B

### Secondary Communications

The function of the control bits DS15 and DS14 and the hardware terminals FC0 and FC1 are shown below. Any combinational state of DS15, DS14, FC1, and FC0 not shown is ignored.

**CONTROL FUNCTION OF SECONDARY COMMUNICATION**

| BITS |      | TERMINALS |     |   |
|------|------|-----------|-----|---|
| DS15 | DS14 | FC1       | FC0 |   |
| 0    | 0    | Ignored   |     | On the next falling edge of $\overline{FS}$ , the AIC receives DAC data D15–D02 at DIN and transmits the ADC data D15–D00 from DOUT.  |
| 0    | 1    | Ignored   |     | On the next falling edge of the $\overline{FS}$ , the AIC receives DAC data D15–D02 at DIN and transmits the ADC data D15–D00 from DOUT.<br><br>The phase adjustment is determined by the state of DS15 and DS14 such that on the next rising edge of $\overline{FS}$ , the next ADC/DAC sampling time occurs later by the number of MCLK periods determined by the value contained in the A' register. When the A' register value is negative, $\overline{FS}$ occurs earlier. |
| 1    | 0    | Ignored   |     | On the next falling edge of $\overline{FS}$ , the AIC receives DAC data D15–D02 at DIN and transmits the ADC data D15–D00 from DOUT.<br><br>The phase adjustment is determined by the state of D01 and D00. On the next rising edge of $\overline{FS}$ , the next ADC/DAC sampling time occurs earlier by the number of MCLK periods determined by the value contained in the A' register. When the A' register value is negative, $\overline{FS}$ occurs later.                |
| 1    | 1    | 0         | 0   | On the next falling edge of $\overline{FS}$ , the AIC receives DAC data D15–D02 at DIN and transmits the ADC data D15–D00 from DOUT.  |
| 1    | 1    | 0         | 1   | On the next falling edge of the $\overline{FS}$ , the AIC receives DAC data D15–D02 at DIN and transmits the ADC data D15–D00 from DOUT.<br><br>The phase adjustment is determined by the state of FC1 and FC0 such that on the next rising edge of $\overline{FS}$ , the next ADC/DAC sampling time occurs later by the number of MCLK periods determined by the value contained in the A' register. When the A' register value is negative, $\overline{FS}$ occurs earlier.   |
| 1    | 1    | 1         | 0   | On the next falling edge of $\overline{FS}$ , the AIC receives DAC data D15–D02 at DIN and transmits the ADC data D15–D00 from DOUT.<br><br>The phase adjustment is determined by the state of FC1 and FC0 such that on the next rising edge of $\overline{FS}$ , the next ADC/DAC sampling time occurs earlier by the number of MCLK periods determined by the value contained in the A' register. When the A' register value is negative, $\overline{FS}$ occurs later.       |
| 1    | 1    | 1         | 1   | On the next falling edge of $\overline{FS}$ , the AIC receives DAC data D15–D02 at DIN and transmits the ADC data D15–D00 from DOUT.  |



## Appendix C

### TLC320AC01C/TLC320AC02C Specification Comparisons

Texas Instruments manufactures the TLC320AC01C and the TLC320AC02C specified for the 0°C to 70°C commercial temperature range and the TLC320AC02I specified for the –40°C to 85°C temperature range. The TLC320AC02C and TLC320AC02I operate at a relaxed TLC320AC01C specification. The differences are listed in the following tables.

#### ADC Channel Signal-to-Distortion Ratio, $V_{DD} = 5\text{ V}$ , $f_s = 8\text{ kHz}$ (Unless Otherwise Noted) (see Note 1)

| PARAMETER  | TEST CONDITIONS                         | $A_V = 0\text{ dB}$ |     | $A_V = 6\text{ dB}$ |     | $A_V = 12\text{ dB}$ |     | UNIT |
|------------|---|---------------------|-----|---------------------|-----|----------------------|-----|------|
|            |   | MIN                 | MAX | MIN                 | MAX | MIN                  | MAX |      |
| TLC320AC01 | $V_I = -6\text{ dB to } -1\text{ dB}$   | 68                  |     | —                   |     | —                    |     | dB   |
| TLC320AC02 |   | 64                  |     | —                   |     | —                    |     |      |
| TLC320AC01 | $V_I = -12\text{ dB to } -6\text{ dB}$  | 63                  |     | 68                  |     | —                    |     |      |
| TLC320AC02 |   | 59                  |     | 64                  |     | —                    |     |      |
| TLC320AC01 | $V_I = -18\text{ dB to } -12\text{ dB}$ | 57                  |     | 63                  |     | 68                   |     |      |
| TLC320AC02 |   | 56                  |     | 59                  |     | 64                   |     |      |
| TLC320AC01 | $V_I = -24\text{ dB to } -18\text{ dB}$ | 51                  |     | 57                  |     | 63                   |     |      |
| TLC320AC02 |   | 50                  |     | 56                  |     | 59                   |     |      |
| TLC320AC01 | $V_I = -30\text{ dB to } -24\text{ dB}$ | 45                  |     | 51                  |     | 57                   |     |      |
| TLC320AC02 |   | 44                  |     | 50                  |     | 56                   |     |      |
| TLC320AC01 | $V_I = -36\text{ dB to } -30\text{ dB}$ | 39                  |     | 45                  |     | 51                   |     |      |
| TLC320AC02 |   | 38                  |     | 44                  |     | 50                   |     |      |
| TLC320AC01 | $V_I = -42\text{ dB to } -36\text{ dB}$ | 33                  |     | 39                  |     | 45                   |     |      |
| TLC320AC02 |   | 32                  |     | 38                  |     | 44                   |     |      |
| TLC320AC01 | $V_I = -48\text{ dB to } -42\text{ dB}$ | 27                  |     | 33                  |     | 39                   |     |      |
| TLC320AC02 |   | 26                  |     | 32                  |     | 38                   |     |      |

NOTE 1: The analog-input test signal is a 1020-Hz sine wave with 0 dB = 6 V peak to peak as the reference level for the analog input signal.

**DAC Channel Signal-to-Distortion Ratio,  $V_{DD} = 5\text{ V}$ ,  $f_s = 8\text{ kHz}$  (Unless Otherwise Noted) (see Note 2)**

| PARAMETER  | TEST CONDITIONS                         | $A_V = 0\text{ dB}$ |     | $A_V = -6\text{ dB}$ |     | $A_V = -12\text{ dB}$ |     | UNIT |
|------------|---|---------------------|-----|----------------------|-----|-----------------------|-----|------|
|            |   | MIN                 | MAX | MIN                  | MAX | MIN                   | MAX |      |
| TLC320AC01 | $V_O = -6\text{ dB to } 0\text{ dB}$    | 68                  |     | —                    |     | —                     |     | dB   |
| TLC320AC02 |   | 64                  |     | —                    |     | —                     |     |      |
| TLC320AC01 | $V_O = -12\text{ dB to } -6\text{ dB}$  | 63                  |     | 68                   |     | —                     |     |      |
| TLC320AC02 |   | 59                  |     | 64                   |     | —                     |     |      |
| TLC320AC01 | $V_O = -18\text{ dB to } -12\text{ dB}$ | 57                  |     | 63                   |     | 68                    |     |      |
| TLC320AC02 |   | 56                  |     | 59                   |     | 64                    |     |      |
| TLC320AC01 | $V_O = -24\text{ dB to } -18\text{ dB}$ | 51                  |     | 57                   |     | 63                    |     |      |
| TLC320AC02 |   | 50                  |     | 56                   |     | 59                    |     |      |
| TLC320AC01 | $V_O = -30\text{ dB to } -24\text{ dB}$ | 45                  |     | 51                   |     | 57                    |     |      |
| TLC320AC02 |   | 44                  |     | 50                   |     | 56                    |     |      |
| TLC320AC01 | $V_O = -36\text{ dB to } -30\text{ dB}$ | 39                  |     | 45                   |     | 51                    |     |      |
| TLC320AC02 |   | 38                  |     | 44                   |     | 50                    |     |      |
| TLC320AC01 | $V_O = -42\text{ dB to } -36\text{ dB}$ | 33                  |     | 39                   |     | 45                    |     |      |
| TLC320AC02 |   | 32                  |     | 38                   |     | 44                    |     |      |
| TLC320AC01 | $V_O = -48\text{ dB to } -42\text{ dB}$ | 27                  |     | 33                   |     | 39                    |     |      |
| TLC320AC02 |   | 26                  |     | 32                   |     | 38                    |     |      |

NOTE 2: The input signal,  $V_I$ , is the digital equivalent of a 1020-Hz sine wave (full-scale analog output at full-scale digital input = 0 dB). The nominal differential DAC channel output with this input condition is 6 V peak to peak. The load impedance for the DAC output buffer is 600  $\Omega$  from OUT+ to OUT-.

**System Distortion, ADC Channel Attenuation,  $V_{DD} = 5\text{ V}$ ,  $f_s = 8\text{ kHz}$ ,  
FCLK = 144 kHz (Unless Otherwise Noted)**

| PARAMETER  |                                     | TEST CONDITIONS                    | MIN | MAX | UNIT |
|------------|-------------------------------------|------------------------------------|-----|-----|------|
| TLC320AC01 | Second harmonic                     | Differential input<br>(see Note 3) | 70  |     | dB   |
| TLC320AC02 |                                     |                                    | 64  |     | dB   |
| TLC320AC01 | Third harmonic and higher harmonics |                                    | 70  |     | dB   |
| TLC320AC02 |                                     |                                    | 64  |     | dB   |

NOTE 3: The input signal is a 1020 Hz-sine wave for the ADC channel. Harmonic distortion is defined for an input level of  $-1\text{ dB}$ .

**System Distortion, DAC Channel Attenuation,  $V_{DD} = 5\text{ V}$ ,  $f_s = 8\text{ kHz}$ ,  
FCLK = 144 kHz (Unless Otherwise Noted)**

| PARAMETER  |                                     | TEST CONDITIONS                     | MIN | MAX | UNIT |
|------------|-------------------------------------|-------------------------------------|-----|-----|------|
| TLC320AC01 | Second harmonic                     | Differential output<br>(see Note 4) | 70  |     | dB   |
| TLC320AC02 |                                     |                                     | 64  |     | dB   |
| TLC320AC01 | Third harmonic and higher harmonics |                                     | 70  |     | dB   |
| TLC320AC02 |                                     |                                     | 64  |     | dB   |

NOTE 4: The input signal is the digital equivalent of a 1020-Hz sine wave (digital full scale = 0 dB). The nominal differential DAC channel output with this input condition is 6 V peak to peak. The load impedance for the DAC output buffer is 600  $\Omega$  from OUT+ to OUT-. Harmonic distortion is specified for a signal input level of 0 dB.



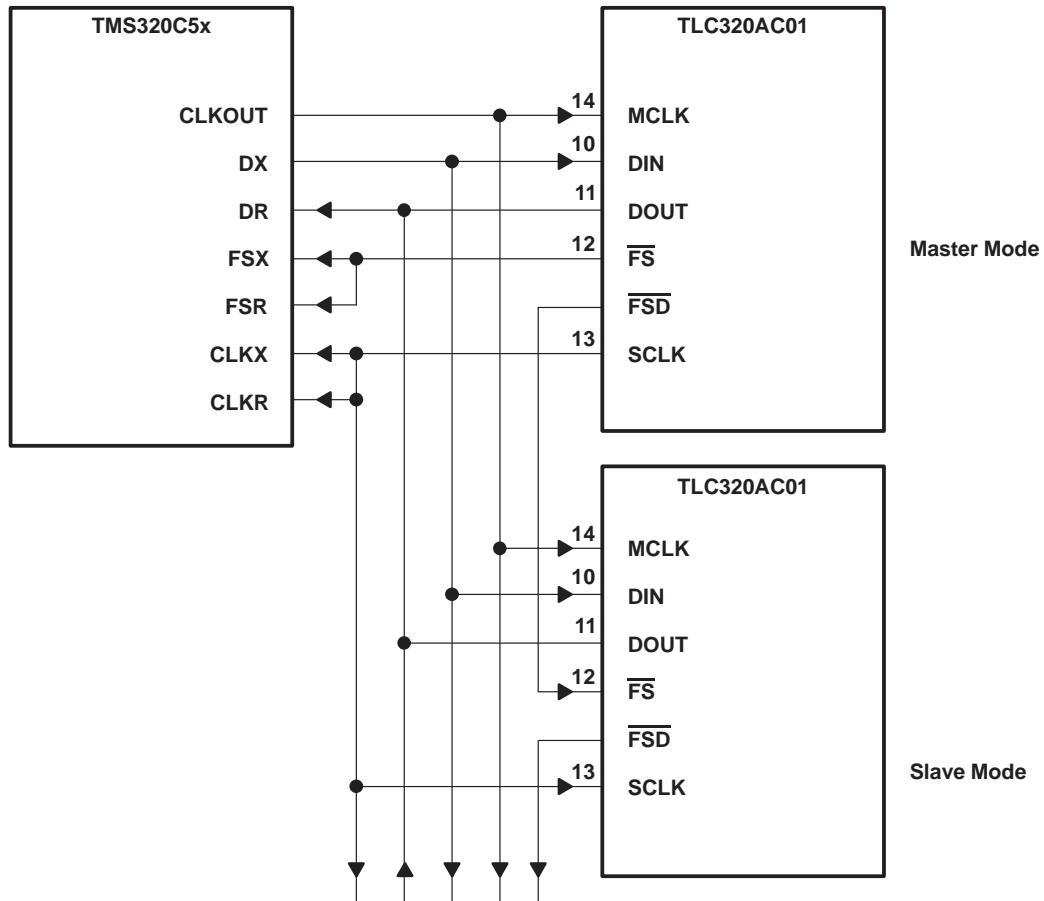
## **Appendix D**

### **Multiple TLC320AC01/02 Analog Interface Circuits on One TMS320C5X DSP Serial Port**

In many applications, digital signal processors (DSP) must obtain information from multiple analog-to-digital (A/D) channels and transmit digital data to multiple digital-to-analog (D/A) conversion channels. The problem is how to do it easily and efficiently.

This application report addresses the issue of connecting two channels of an analog interface circuit (AIC) to one TMS320C5X DSP serial port. In this application report, the AIC is the TLC320AC01.

The TLC320AC01 (and TLC320AC02) analog interface circuit contains both A/D and D/A converters and using the master/slave mode, it is possible to connect two of them to one TMS320C5X DSP serial port with no additional logic. The hardware schematic is shown in Figure D-1.



NOTE A: Terminal numbers shown are for the FN package.

Figure D-1. Master With Slave (to DSP Interface)

## HARDWARE AND SOFTWARE SOLUTION

Once the hardware connections are completed, the issue becomes distinguishing one channel from another. Fortunately, this is very easy to do in software and adds very little overhead. The mode that the AC01s run in is called master/slave mode. One AC01 is the master and all of the rest of the AC01s are slaves. The master can be distinguished from all of the slaves by examining the least significant bit (LSB) in the receive word coming from the AC01. The master has a 0 in the LSB and all of the slaves have a 1 in the LSB.

The AC01s in master/slave mode take turns communicating with the DSP serial port. They do this in a round robin or circular fashion. Synchronizing the system involves looking for the master AC01 and then starting the software associated with the first AC01. All other AC01s follow in order. It is possible to have different software for each AC01.

A reference design was constructed using a TMS320C5X DSP starter kit (DSK). The AC01s were connected to the TDM serial port which is available at the headers on the edge of the DSK.

A listing of the DSK assembly code for a simple stereo input/output program is included in the following section.

## SOFTWARE MODULE

```
*****
*
* MODULE NAME: INOUTB.ASM
*
* In-out routine for C5X DSK with two TLC320AC01s on the
* TDM serial port of the C5X in master/slave mode.
*
* This version performs the in/out task for both the master
* and slave TLC320AC01 in the receive interrupt service
* routine.
*
*****

*          .mmregs

          .ds          01000h

PR1       .word       0104h          ;A register
PR2       .word       0219h          ;B register
PR3       .word       0300h          ;A prime register
PR4       .word       0405h          ;amplifier gain register
PR5       .word       0501h          ;analog configuration register
PR6       .word       0600h          ;digital configuration register
PR7       .word       0730h          ;frame synch delay register
PR8       .word       0802h          ;frame synch number register
value     .word       0800h
value2    .word       0800h
val_add   .word       0200h
val_add2  .word       0400h

*****
*
* Set up the ISR vector
*
*****

          .ps          080ah

rint:     B           RECEIVE        ; 0A; Serial port receive interrupt RINT.
xint:     B           TRANSMIT       ; 0C; Serial port transmit interrupt XINT.
trint:    B           TDMREC
txint:    B           TDMTX
          ;-----

*
*****
*
* TMS320C5X INITIALIZATION
*
*****

          .ps 0a00h
          .entry

START:    SETC        INTM           ; Disable interrupts
          LDP         #0             ; Set data page pointer
          OPL        #0834h,PMST
          LACC       #0
          SAMM       CWSR
          SAMM       PDWSR
```

```

splk      #00c8h
SPLK     082h,IMR
call     AC01INIT

CLRC     OVM      ; OVM = 0
SPM      0        ; PM = 0
SPLK     #042h,IMR ; TDMA ser port rec interrupt
SPLK     #0C8h,TSPC ;
CLRC     INTM     ; enable interrupts

loop                                           ; main program here does nothing.
nop                                           ; a user program can be inserted.
b        loop      ;

;----- end of main program ----- ;
;
; TDM serial port receiver interrupt service routine
;
TDMREC:
                                           ; This loop insures that the master AC01
ldp      #trcv      ; is the first one that is written to in the
bit      trcv,15    ; loop. the slave AC01(s) will follow in
bcnd     xxx,tc     ; sequential order. The master AC01 has a
                                           ; 0 in the 1sb. the slave AC01(s) have a 1
                                           ; in the 1sb of the receive word.

ldp      #trcv
lacc     trcv
and      #0fffch
                                           ;
                                           ; user code would go here for master AC01
                                           ;

sacl     tdxr
b        YYY

xxx      ldp      #trcv
lacc     trcv
and      #0fffch
                                           ;
                                           ; user code would go here for slave AC01
                                           ;

sacl     tdxr

YYY      rete

```

```
;
; TDM serial port transmit interrupt service routine
;
TDMIX:
    rete
;
; RECEIVER INTERRUPT SERVICE ROUTINE
;
RECEIVE:
    rete
TRANSMIT:
    RETE
```

AC01INIT

```
SPLK      #020h,TCR
SPLK      #01h,PRD
MAR        *,AR0
LACC      #0008h
SACL      TSPC
LACC      #00c8h
SACL      TSPC
SETC      SXM
```

;-----

```
LDP        #PR1
LACC      PR1
CALL      AC01_2ND
```

;-----

```
LDP        #PR2
LACC      PR2
CALL      AC01_2ND
```

;-----

```
LDP        #PR8
LACC      PR8
CALL      AC01_2ND
```

;-----

```
LDP        #PR7
LACC      PR7
CALL      AC01_2ND
```

ret

AC01\_2ND:

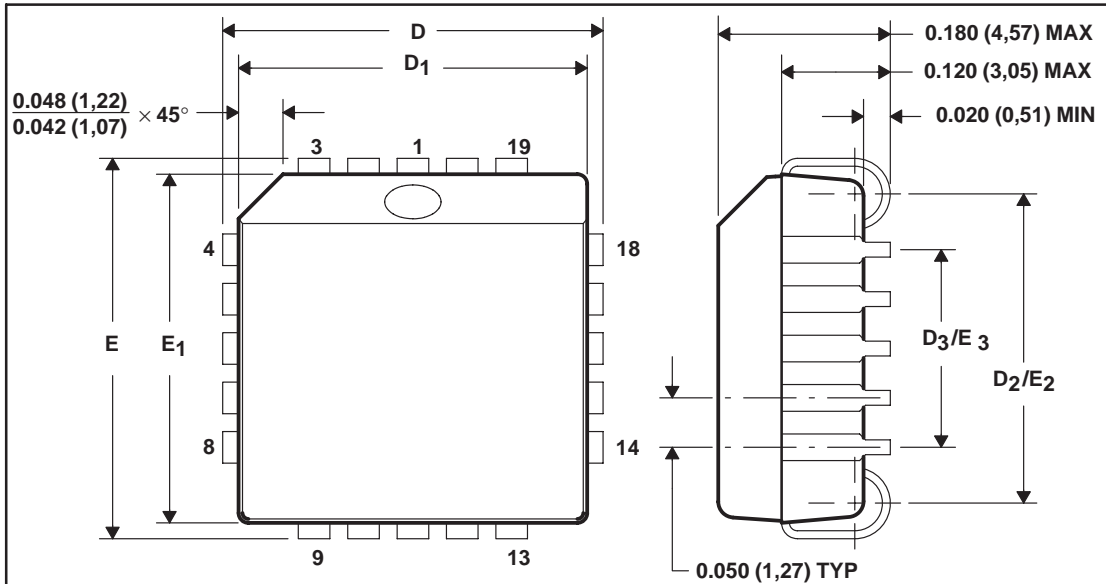
```
LDP        #0
SACH      TDXR      ;
CLRC      INTM
IDLE
ADD        #6h,15      ; 0000 0000 0000 0011 XXXX XXXX XXXX XXXX b
SACH      TDXR      ;
IDLE
SACL      TDXR      ;
IDLE
LACL      #0      ;
SACL      TDXR      ; make sure the word got sent
IDLE
SETC      INTM      ;
RET
```



## Appendix E Mechanical Data

**FN/S-PQCC-J\*\***  
20-PIN SHOWN

**PLASTIC J-LEADED CHIP CARRIER**



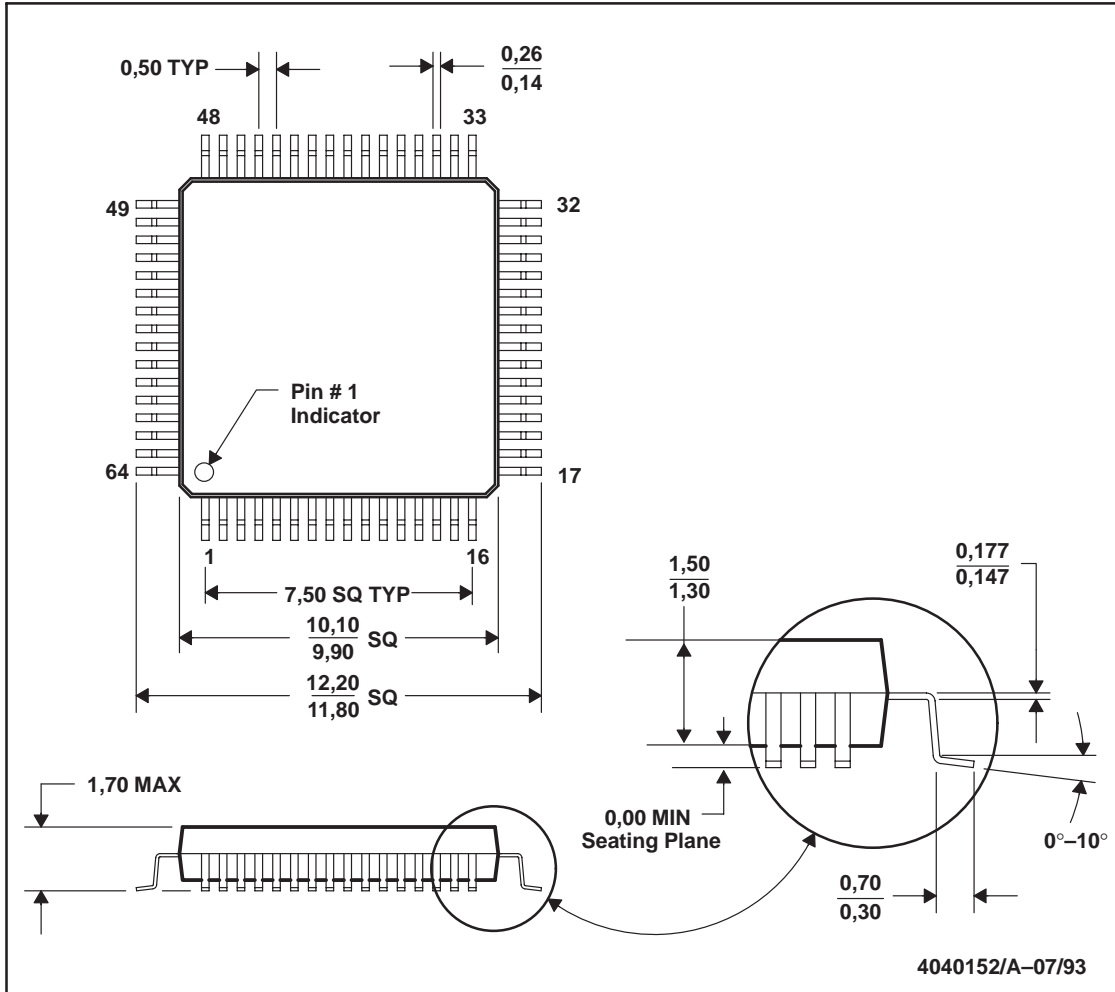
| JEDEC OUTLINE | NO. OF PINS** | D/E              |                  | D <sub>1</sub> /E <sub>1</sub> |                  | D <sub>2</sub> /E <sub>2</sub> |                  | D <sub>3</sub> /E <sub>3</sub> |
|---------------|---------------|------------------|------------------|--------------------------------|------------------|--------------------------------|------------------|--------------------------------|
|               |               | MIN              | MAX              | MIN                            | MAX              | MIN                            | MAX              | TYP                            |
| MO-047AA      | 20            | 0.385<br>(9,78)  | 0.395<br>(10,03) | 0.350<br>(8,89)                | 0.356<br>(9,04)  | 0.290<br>(7,34)                | 0.330<br>(8,38)  | 0.200<br>(5,08)                |
| MO-047AB      | 28            | 0.485<br>(12,32) | 0.495<br>(12,57) | 0.450<br>(11,43)               | 0.456<br>(11,58) | 0.390<br>(9,91)                | 0.430<br>(10,92) | 0.300<br>(7,62)                |
| MO-047AC      | 44            | 0.685<br>(17,40) | 0.695<br>(17,65) | 0.650<br>(16,51)               | 0.656<br>(16,66) | 0.590<br>(14,99)               | 0.630<br>(16,00) | 0.500<br>(12,70)               |
| MO-047AD      | 52            | 0.785<br>(19,94) | 0.795<br>(20,19) | 0.750<br>(19,05)               | 0.756<br>(19,20) | 0.690<br>(17,53)               | 0.730<br>(18,54) | 0.600<br>(15,24)               |
| MO-047AE      | 68            | 0.985<br>(25,02) | 0.995<br>(25,27) | 0.950<br>(24,13)               | 0.956<br>(24,28) | 0.890<br>(22,61)               | 0.930<br>(23,62) | 0.800<br>(20,32)               |
| MO-047AF      | 84            | 1.185<br>(30,10) | 1.195<br>(30,35) | 1.150<br>(29,21)               | 1.158<br>(29,41) | 1.090<br>(27,69)               | 1.130<br>(28,70) | 1.000<br>(25,40)               |

4040005/A-07/93

- NOTES: A. All linear dimensions are in inches (millimeters).  
 B. This drawing is subject to change without notice.  
 C. Dimensions D<sub>1</sub> and E<sub>1</sub> do not include mold flash or protrusion. Protrusion shall not exceed 0.010 (0,25) on any side.  
 D. All dimensions conform to JEDEC Specification MO-047.  
 E. Maximum deviation from coplanarity is 0.004 (0,10).

PM/S-PQFP-G64

PLASTIC QUAD FLAT PACKAGE



4040152/A-07/93

- NOTES: A. All linear dimensions are in millimeters.  
B. This drawing is subject to change without notice.  
C. Maximum deviation from coplanarity is 0,08 mm.  
D. Body dimensions do not include mold flash or protrusion.

## **IMPORTANT NOTICE**

Texas Instruments and its subsidiaries (TI) reserve the right to make changes to their products or to discontinue any product or service without notice, and advise customers to obtain the latest version of relevant information to verify, before placing orders, that information being relied on is current and complete. All products are sold subject to the terms and conditions of sale supplied at the time of order acknowledgement, including those pertaining to warranty, patent infringement, and limitation of liability.

TI warrants performance of its semiconductor products to the specifications applicable at the time of sale in accordance with TI's standard warranty. Testing and other quality control techniques are utilized to the extent TI deems necessary to support this warranty. Specific testing of all parameters of each device is not necessarily performed, except those mandated by government requirements.

**CERTAIN APPLICATIONS USING SEMICONDUCTOR PRODUCTS MAY INVOLVE POTENTIAL RISKS OF DEATH, PERSONAL INJURY, OR SEVERE PROPERTY OR ENVIRONMENTAL DAMAGE ("CRITICAL APPLICATIONS"). TI SEMICONDUCTOR PRODUCTS ARE NOT DESIGNED, AUTHORIZED, OR WARRANTED TO BE SUITABLE FOR USE IN LIFE-SUPPORT DEVICES OR SYSTEMS OR OTHER CRITICAL APPLICATIONS. INCLUSION OF TI PRODUCTS IN SUCH APPLICATIONS IS UNDERSTOOD TO BE FULLY AT THE CUSTOMER'S RISK.**

In order to minimize risks associated with the customer's applications, adequate design and operating safeguards must be provided by the customer to minimize inherent or procedural hazards.

TI assumes no liability for applications assistance or customer product design. TI does not warrant or represent that any license, either express or implied, is granted under any patent right, copyright, mask work right, or other intellectual property right of TI covering or relating to any combination, machine, or process in which such semiconductor products or services might be or are used. TI's publication of information regarding any third party's products or services does not constitute TI's approval, warranty or endorsement thereof.

## Looking for pricing, stock, or lifecycle information?

Click below to explore more details on WIN SOURCE:

 [View TLC320AC01CPMR on WIN SOURCE](#)

 [Texas Instruments](#) Information

## Optimize Your Supply Chain with WIN SOURCE Solutions

-  Global Sourcing Solution
-  Obsolete Management
-  Cost Control Management
-  Shortage Management
-  Alternative Solution
-  Excess Inventory Management