

LM3460-1.2, -1.5 Precision Controller for GTLp and GTL Bus Termination

Check for Samples: [LM3460](#)

FEATURES

- Precision Output (1%)
- Output Voltage Can be Adjusted
- Extremely Fast Transient response in GTLp and GTL Bus Termination
- Tiny SOT23-5 Package
- Output Voltage Capability for GTL or GTLp
- Low Temperature Coefficient

APPLICATIONS

- GTL Bus Termination (1.2V output @ 7A)
- GTLp Bus Termination (1.5V output @ 7A)
- Adjustable High-Current Linear Regulator

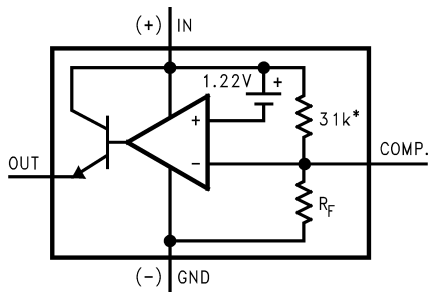
DESCRIPTION

The LM3460 is a monolithic integrated circuit designed for precision control of GTLplus and GTL Bus termination. This controller is available in a tiny SOT23-5 package, and includes an internally compensated op amp, a bandgap reference, an NPN output transistor, and voltage setting resistors.

A trimmed precision bandgap voltage reference utilizes temperature drift curvature correction for excellent voltage stability over the operating range. The precision output control enables the termination voltage to maintain tight regulation, despite fast switching requirements on the bus.

The LM3460 controller is designed to be used with a high current (> 7A) NPN pass transistor to provide the high current needed for the bus termination. The wide bandwidth of the feedback loop provides excellent transient response, and greatly reduces the output capacitance required, thus reducing cost and board space requirements.

CONNECTION DIAGRAM AND PACKAGE INFORMATION



*This resistor is not used on the LM3460-1.2.

Figure 1. LM3460 Functional Diagram

5-LEAD OUTLINE PACKAGE (M5)



Figure 2. Actual Size

*No internal connection, but should be soldered to PC board for best heat transfer.

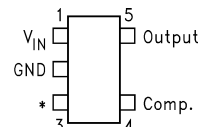


Figure 3. Top View
See Package Number MF05A



Please be aware that an important notice concerning availability, standard warranty, and use in critical applications of Texas Instruments semiconductor products and disclaimers thereto appears at the end of this data sheet.

All trademarks are the property of their respective owners.

ORDERING INFORMATION

Voltage	Order Number	Package Marking ⁽¹⁾	Supplied As ⁽²⁾
1.5	LM3460M5-1.5	D06A	1000 Unit Increments on Tape and Reel
1.5	LM3460M5X-1.5	D06A	3000 Unit Increments on Tape and Reel
1.2	LM3460M5-1.2	D09A	1000 Unit Increments on Tape and Reel
1.2	LM3460M5X-1.2	D09A	3000 Unit Increments on Tape and Reel

- (1) **MARKING CODE:** The first letter "D" identifies the part as a Driver, and the next two numbers define the voltage for the part. The fourth letter indicates the grade, with "A" designating the prime grade of product.
- (2) **AVAILABILITY:** The SOT23-5 package is only available in quantity of 1000 on tape and reel (designated by the letters "M5" in the part number), or in quantity of 3000 on tape and reel (indicated by the letters "M5X" in the part number).

TYPICAL APPLICATIONS

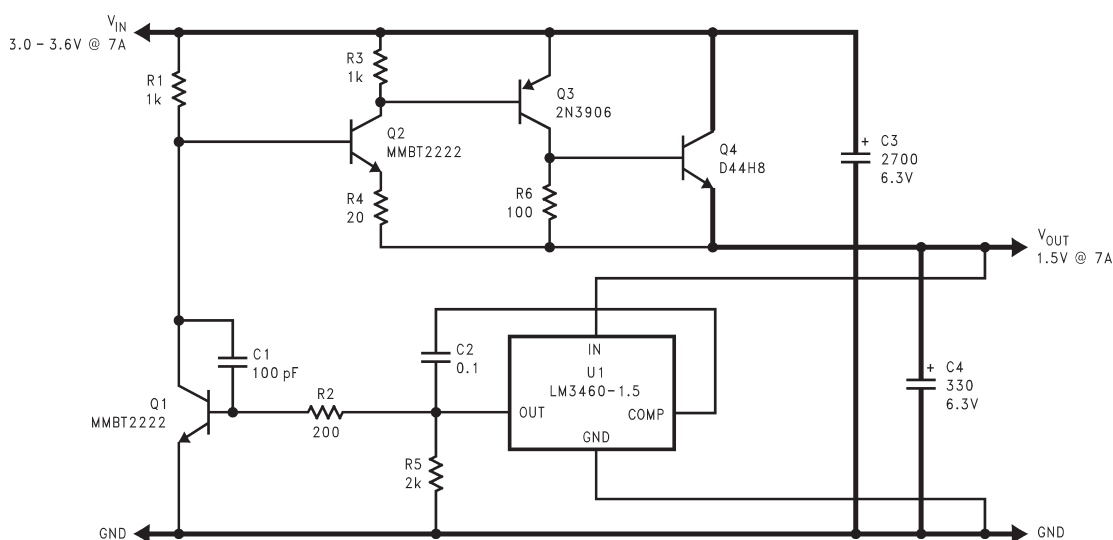


Figure 4. 1.5V TYPICAL APPLICATION (SEE APP CIRCUIT TECHNICAL INFORMATION)

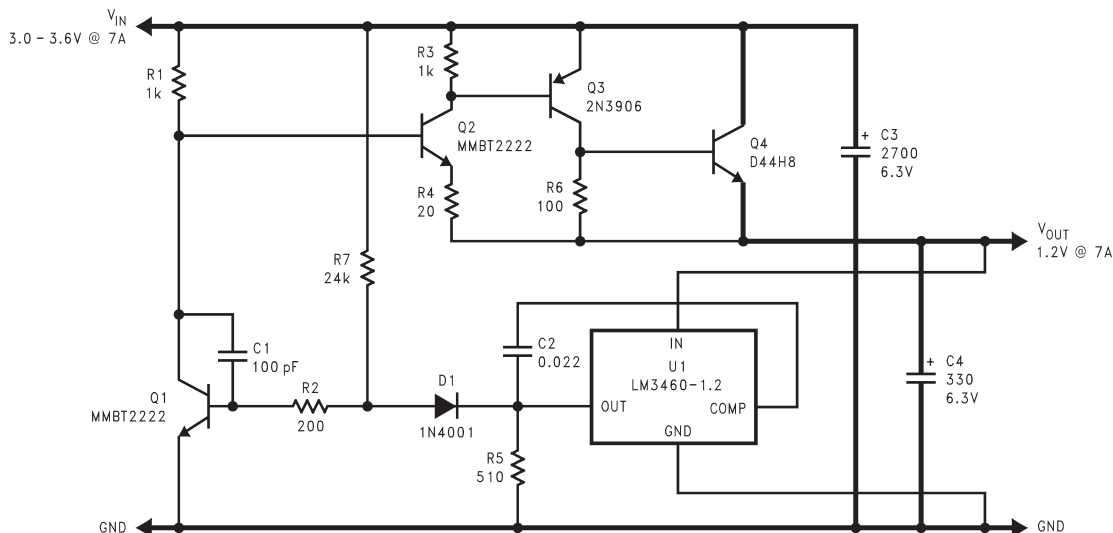


Figure 5. 1.2V TYPICAL APPLICATION (SEE APP CIRCUIT TECHNICAL INFORMATION)



These devices have limited built-in ESD protection. The leads should be shorted together or the device placed in conductive foam during storage or handling to prevent electrostatic damage to the MOS gates.

ABSOLUTE MAXIMUM RATINGS⁽¹⁾⁽²⁾

Input Voltage V_{IN}		20V
Output Current		20 mA
Junction Temperature		150°C
Storage Temperature		-65°C to +150°C
Lead Temperature	Vapor Phase (60 sec.)	+215°C
	Infrared (15 sec.)	+220°C
Power Dissipation ($T_A = 25^\circ\text{C}$) ⁽³⁾		300 mW
ESD Susceptibility ⁽⁴⁾	Human Body Model	1500V

- (1) Absolute Maximum Ratings are limits beyond which damage to the device may occur. Operating Ratings indicate conditions for which the device is intended to be functional, but do not ensure specific performance limits. For ensured specifications and test conditions, see the [Electrical Characteristics](#). The ensured specifications apply only for the test conditions listed. Some performance characteristics may degrade when the device is not operated under the listed test conditions.
- (2) If Military/Aerospace specified devices are required, please contact the Texas Instruments Sales Office/Distributors for availability and specifications.
- (3) The maximum power dissipation must be derated at elevated temperatures and is dictated by T_{Jmax} (maximum junction temperature), θ_{JA} (junction of ambient thermal resistance), and T_A (ambient temperature). The maximum allowable power dissipation at any temperature is $(P_{Dmax} = (T_{Jmax} - T_A)/\theta_{JA})$ or the number given in the Absolute Maximum Ratings, whichever is lower. The typical thermal resistance θ_{JA} when soldered to a printed circuit board is approximately 330° C/W.
- (4) The human body model is a 100 pF capacitor discharged through a 1.5 kΩ resistor into each pin.

OPERATING RATINGS⁽¹⁾⁽²⁾

Ambient Temperature Range	$0^\circ\text{C} \leq T_A \leq +70^\circ\text{C}$
Output Current	1 mA

- (1) Absolute Maximum Ratings are limits beyond which damage to the device may occur. Operating Ratings indicate conditions for which the device is intended to be functional, but do not ensure specific performance limits. For ensured specifications and test conditions, see the [Electrical Characteristics](#). The ensured specifications apply only for the test conditions listed. Some performance characteristics may degrade when the device is not operated under the listed test conditions.
- (2) The maximum power dissipation must be derated at elevated temperatures and is dictated by T_{Jmax} (maximum junction temperature), θ_{JA} (junction of ambient thermal resistance), and T_A (ambient temperature). The maximum allowable power dissipation at any temperature is $(P_{Dmax} = (T_{Jmax} - T_A)/\theta_{JA})$ or the number given in the Absolute Maximum Ratings, whichever is lower. The typical thermal resistance θ_{JA} when soldered to a printed circuit board is approximately 330° C/W.

ELECTRICAL CHARACTERISTICS LM3460-1.5

Specifications with standard type face are for $T_J = 25^\circ\text{C}$, and those with **boldface type** apply over **full Operating Temperature Range**. Unless otherwise specified, (+)IN = V_{REG} , $V_{OUT} = 200\text{ mV}$

Symbol	Parameter	Conditions	Typ ⁽¹⁾	Limit ⁽²⁾	Units
V_{REG}	Regulated Voltage	$I_{OUT} = 1\text{ mA}$	1.5	1.515/ 1.530 1.485/ 1.470	V (max) V (min)
	Regulated Voltage Tolerance	$I_{OUT} = 1\text{ mA}$		$\pm 1 / \pm 2$	% (max)
I_q	Quiescent Current	$I_{OUT} = 1\text{ mA}$	85	125/ 150	μA (max)
G_m	Transconductance $\Delta I_{OUT} / \Delta V_{REG}$	$20\mu\text{A} \leq I_{OUT} \leq 1\text{ mA}$ $V_{OUT} = 500\text{ mV}$	3.3	1/0.5	mA/mV (min)
V_{SAT}	Output Saturation Voltage ⁽³⁾	$V_{IN} = V_{REG} + 100\text{ mV}$ $I_{OUT} = 1\text{ mA}$	0.8	0.95	V (max)
I_L	Output Leakage Current	$V_{IN} = V_{REG} - 100\text{ mV}$ $V_{OUT} = 0\text{V}$	0.1	0.5/ 1.0	μA (max)

- (1) Typical numbers are at 25°C and represent the most likely parametric norm.
- (2) Limits are 100% production tested at 25°C. Limits over the operating temperature range are guaranteed through correlation using Statistical Quality Control (SQC) methods. The limits are used to calculate TI's Average Outgoing Quality Level (AOQL).
- (3) $V_{SAT} = V_{REG} - V_{OUT}$, when the voltage at the IN pin is forced 100mV above the nominal regulating voltage (V_{REG}).

ELECTRICAL CHARACTERISTICS

LM3460-1.5 (continued)

Specifications with standard type face are for $T_J = 25^\circ\text{C}$, and those with **boldface type** apply over **full Operating Temperature Range**. Unless otherwise specified, (+)IN = V_{REG} , $V_{\text{OUT}} = 200\text{ mV}$

Symbol	Parameter	Conditions	Typ ⁽¹⁾	Limit ⁽²⁾	Units
R_F	Internal Feedback Resistor (See Figure 1)		7.1	8.9 5.3	k Ω (max) k Ω (min)
E_n	Output Noise Voltage	$I_{\text{OUT}} = 1\text{ mA}$, $10\text{ Hz} \leq f \leq 10\text{ kHz}$	50		μV (rms)

ELECTRICAL CHARACTERISTICS

LM3460-1.2

Specifications with standard type face are for $T_J = 25^\circ\text{C}$, and those with **boldface type** apply over **full Operating Temperature Range**. Unless otherwise specified, (+)IN = V_{REG} , $V_{\text{OUT}} = 200\text{ mV}$

Symbol	Parameter	Conditions	Typ ⁽¹⁾	Limit ⁽²⁾	Units
V_{REG}	Regulated Voltage	$I_{\text{OUT}} = 1\text{ mA}$	1.220	1.232/ 1.244 1.208/ 1.196	V (max) V (min)
	Regulated Voltage Tolerance	$I_{\text{OUT}} = 1\text{ mA}$		$\pm 1 / \pm 2$	% (max)
I_q	Quiescent Current	$I_{\text{OUT}} = 1\text{ mA}$	85	125/ 150	μA (max)
G_m	Transconductance $\Delta I_{\text{OUT}} / \Delta V_{\text{REG}}$	$20\mu\text{A} \leq I_{\text{OUT}} \leq 1\text{ mA}$ $V_{\text{OUT}} = 200\text{ mV}$	3.3	1/0.5	mA/mV (min)
V_{SAT}	Output Saturation Voltage ⁽³⁾	$V_{\text{IN}} = V_{\text{REG}} + 100\text{ mV}$ $I_{\text{OUT}} = 1\text{ mA}$	0.8	0.95	V (max)
I_L	Output Leakage Current	$V_{\text{IN}} = V_{\text{REG}} - 100\text{ mV}$ $V_{\text{OUT}} = 0\text{ V}$	0.1	0.5/ 1.0	μA (max)
R_F	Internal Feedback Resistor (See Figure 1)		10	12.5 7.5	k Ω (max) k Ω (min)
E_n	Output Noise Voltage	$I_{\text{OUT}} = 1\text{ mA}$, $10\text{ Hz} \leq f \leq 10\text{ kHz}$	50		μV (rms)

- (1) Typical numbers are at 25°C and represent the most likely parametric norm.
- (2) Limits are 100% production tested at 25°C . Limits over the operating temperature range are guaranteed through correlation using Statistical Quality Control (SQC) methods. The limits are used to calculate TI's Average Outgoing Quality Level (AOQL).
- (3) $V_{\text{SAT}} = V_{\text{REG}} - V_{\text{OUT}}$, when the voltage at the IN pin is forced 100mV above the nominal regulating voltage (V_{REG}).

SETTING THE OUTPUT VOLTAGE

If a regulated voltage is desired which is not available as a standard voltage, the output voltage may be adjusted by using an external resistive divider (see [Figure 7](#)):

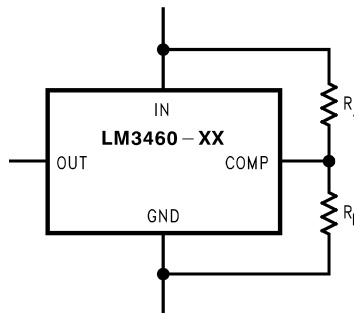


Figure 7. Setting the Output Voltage

$$V_{OUT} = 1.22 + \left(\frac{1.22}{R_A} \right) R_B \quad (1)$$

$$R_B = \frac{(V_{OUT} - 1.22) R_A}{1.22} \quad (2)$$

FOR BEST RESULTS: SELECT $R_A < 500\Omega$

The simplest way to calculate the resistor values is to assume a value for R_A and then solve the equation shown for R_B .

To assure best output voltage accuracy, the value selected for R_A should be $< 500\Omega$, and 1% tolerance resistors should be used.

As the ohmic value of R_A is increased, the internal resistive divider inside the LM3460 will cause the output voltage to deviate from the value predicted by the formula shown.

APP CIRCUIT TECHNICAL INFORMATION

Figure 4 and Figure 5 highlight two applications of the LM3460. This section provides details of circuit function.

1.5V/7A TYPICAL APPLICATION

Figure 4 shows the schematic of a wide-bandwidth linear regulator which provides a regulated 1.5V output at up to 7A of load current from a 3V-3.6V input.

The pass element of the regulator (which supplies the load current) is made up of a three-transistor complimentary Darlington composed of Q2, Q3, and Q4. The bias current flowing through R1 will drive the pass element ON, until such time as Q1 pulls down and takes the drive away from the base of Q2.

The circuit regulates the output to 1.5V using the LM3460 precision controller, which sources current from its output whenever the voltage at the IN pin reaches 1.5V.

When the LM3460 sources current from its output, it turns on Q1 (stealing the base drive for Q2) which reduces the current from the 1.5V regulated output. In this way, a negative feedback loop is established which locks the output at 1.5V.

C1 and C2 are used for compensation, and should be ceramic capacitors.

C4 is required for regulator stability, and both C3 and C4 affect transient response. Circuit performance should be carefully evaluated if substitutions are made for these two components.

PERFORMANCE DATA

All data taken at 20°C ambient:

LOAD/LINE REGULATION: The output voltage changed <0.1 mV as the load was increased from 0-7A, and the input voltage was varied from 3.0V-3.6V.

DROPOUT VOLTAGE: The dropout voltage (which is defined as the minimum input-output voltage differential required to maintain a regulated output) was measured at 7A and found to be 1.4V. This means that a minimum input voltage of 2.9V is required to keep the 1.5V output in regulation.

TRANSIENT RESPONSE: Transient response was tested using a 0.2Ω power resistor connected to the output using a mechanical contact to provide a 0-7A load current step. When the load was applied, the change in output voltage was seen to be < 5 mV with a total recovery time of about 30 μs (see Figure 8).

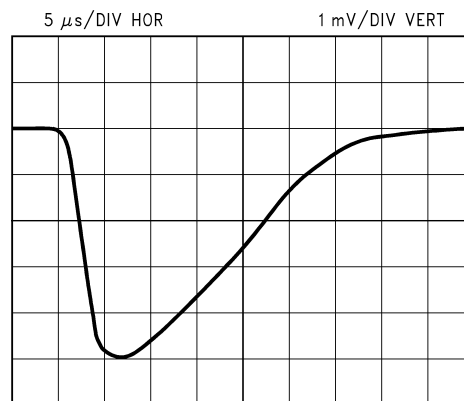


Figure 8. Output Transient Response

HEATSINKING/COMPONENT SELECTION

HEATSINKING: As with *any* linear regulator, the power dissipated in the pass transistor (Q4) is approximately:

$$P = (V_{IN} - V_{OUT}) \times I_{LOAD} \quad (3)$$

Q4 must be provided with adequate heatsinking so that the junction temperature never exceeds 150°C.

Figure 9 shows the **maximum** allowable values of thermal resistance (from heatsink-to-ambient) that must be provided for various values of the load current.

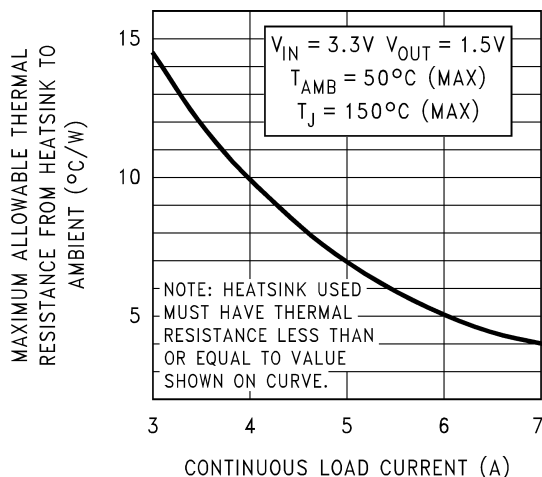


Figure 9. Q4 Heatsink Requirements for Circuit Shown in Figure 4

These values are calculated assuming a maximum ambient of 50°C, 3.3V input, and a TO-220 power transistor mounted using thermal grease and a mica insulator.

A given thermal resistance can be obtained by using different combinations of heatsink and airflow (refer to heatsink manufacturers datasheets).

The design tradeoff here is that heatsinks which are smaller, lighter, and cheaper require more airflow to get the desired value of thermal resistance.

TRANSIENT RESPONSE: If the regulator is to respond quickly to changes in load current demand, the input and output capacitors must be selected carefully.

The output capacitor C4 is most critical, as it must supply current to the load in the time it takes the regulator loop to sense the output voltage change and turn on the pass transistor. A Sanyo Oscon type (or equivalent) will give the best performance here.

The input capacitor C3 is also important, as it provides an energy reservoir from which the regulator sources current to force the output back up to the nominal value. A good, low ESR electrolytic such as a Panasonic HFQ type is a good choice for C3.

LAYOUT TIPS: In order to optimize performance, parasitic inductance due to connecting traces must be minimized. All paths shown as heavy lines on the schematic must be made by traces which are wide and short as possible (component placement should be optimized for minimum lead length).

POWER TRANSISTOR AND DRIVER: The power transistor used at Q4 must have very good current gain at 7A, and wide bandwidth (high f_T) for this circuit to work as specified. The D44H8 is an excellent choice for cost and performance.

The current gain of Q4 dictates the power dissipation in its driver (Q3) which must supply the base current to Q4. If the gain of Q4 is lowered, Q3 must source more current into its base (and the power dissipation in Q3 goes up proportionately).

The D44H8 has a guaranteed minimum gain of 40 @ 4A, with typical gain much higher. Assuming the gain of Q4 is about 30% lower at 7A, it will still be > 28. Therefore, to support 7A of load current, Q3 must supply 250 mA to the base of Q4 (worst case).

The power dissipation in Q3 (assuming 3.3V input) will never exceed approximately 250 mW, which is easily handled by 2N3906 in a TO-92 case (which has a thermal resistance of about 180°C/W), but could be a problem for a very small surface mount device.

If substitutions are made for Q3 or Q4, careful attention must be paid to the current gain as well as the f_T .

TRANSISTOR BANDWIDTH: Fast transient response that the regulator be able to respond quickly to any change in output voltage (which will occur if the current drawn by the load suddenly changes).

All of the transistors specified in the schematic are very wide-band devices (have high f_T values) which is necessary for fast response. If substitutions are made for any of the transistors, this specification must be considered.

1.2V/7A TYPICAL APPLICATION

The 1.2V @ 7A design in Figure 5 is very similar in function to the design shown in Figure 4. Most of the circuit descriptions previously detailed for that circuit apply unchanged to Figure 5, will not be repeated.

Detailed information will be presented in the areas which differ between the two circuits.

HEATSINKING

The 1.2V design needs a little more heatsinking because the lower output voltage means more power dissipation in Q4 at any value of load current.

Figure 10 shows the **maximum** allowable values of thermal resistance (from heatsink-to-ambient) that must be provided for various values of the load current.

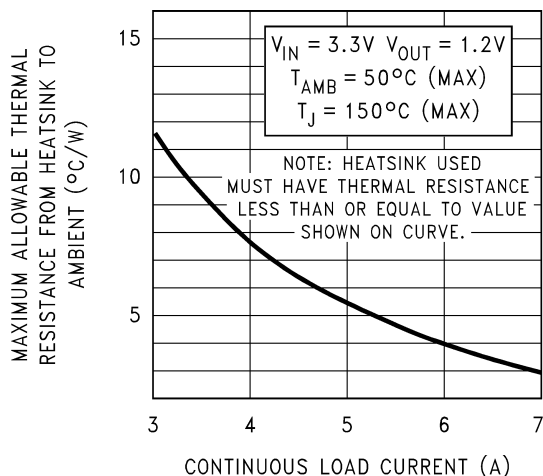


Figure 10. Q4 Heatsink Requirements for Circuit shown in Figure 5

Q1 DRIVE CIRCUITRY

In the circuit shown in [Figure 4](#), the output of U1 drives the base of Q1 with current when the voltage at V_{OUT} reaches the regulation point. As Q1 turns ON, it steals drive from Q2 which holds the loop in regulation.

The circuit of [Figure 5](#) uses a different drive configuration for Q1, required because of the lower voltage across U1.

With only 1.2V across U1, the OUT pin of the LM3460 cannot swing up high enough in voltage to turn on the V_{BE} of Q1.

In the circuit of [Figure 5](#), drive for Q1 is provided by R7, *but only when U1 sources current*: The operation of the drive scheme is as follows:

If the voltage at V_{OUT} is below 1.2V, no current flows from the OUT pin of U1. Q1 is held OFF as the current flowing down through R7 goes through D1 and R5 to ground.

IMPORTANT: Diode D1 is a 1N4001 because its V_F must be much less than the V_{BE} of Q1 (a signal diode like 1N4148 will not work here).

When U1 is not sourcing current, the voltage at the OUT pin (and the cathode of D1) will be held at about 50 mV by the R7/D1/R5 divider. The current flowing to ground through these components is about 110 μ A.

Because D1 is a 1A power diode, the V_F across D1 at this small value of current will be much less than the V_{BE} needed to turn ON Q1 (so Q1 is held off by D1).

When U1 begins to source current (to cut off the pass transistor and regulate V_{OUT}) it forces the voltage at the cathode of D1 to rise.

This action causes the current that was flowing through D1 to flow into the base of Q1, turning it ON and taking drive away from the base of Q2.

This action provides the negative feedback required to regulate V_{OUT} and allows the LM3460 to operate with only 1.2V of total supply voltage across the device.

REVISION HISTORY

Changes from Revision C (April 2013) to Revision D	Page
<hr/> <ul style="list-style-type: none">• Changed layout of National Data Sheet to TI format	<hr/> 10

IMPORTANT NOTICE

Texas Instruments Incorporated and its subsidiaries (TI) reserve the right to make corrections, enhancements, improvements and other changes to its semiconductor products and services per JESD46, latest issue, and to discontinue any product or service per JESD48, latest issue. Buyers should obtain the latest relevant information before placing orders and should verify that such information is current and complete. All semiconductor products (also referred to herein as "components") are sold subject to TI's terms and conditions of sale supplied at the time of order acknowledgment.

TI warrants performance of its components to the specifications applicable at the time of sale, in accordance with the warranty in TI's terms and conditions of sale of semiconductor products. Testing and other quality control techniques are used to the extent TI deems necessary to support this warranty. Except where mandated by applicable law, testing of all parameters of each component is not necessarily performed.

TI assumes no liability for applications assistance or the design of Buyers' products. Buyers are responsible for their products and applications using TI components. To minimize the risks associated with Buyers' products and applications, Buyers should provide adequate design and operating safeguards.

TI does not warrant or represent that any license, either express or implied, is granted under any patent right, copyright, mask work right, or other intellectual property right relating to any combination, machine, or process in which TI components or services are used. Information published by TI regarding third-party products or services does not constitute a license to use such products or services or a warranty or endorsement thereof. Use of such information may require a license from a third party under the patents or other intellectual property of the third party, or a license from TI under the patents or other intellectual property of TI.

Reproduction of significant portions of TI information in TI data books or data sheets is permissible only if reproduction is without alteration and is accompanied by all associated warranties, conditions, limitations, and notices. TI is not responsible or liable for such altered documentation. Information of third parties may be subject to additional restrictions.

Resale of TI components or services with statements different from or beyond the parameters stated by TI for that component or service voids all express and any implied warranties for the associated TI component or service and is an unfair and deceptive business practice. TI is not responsible or liable for any such statements.

Buyer acknowledges and agrees that it is solely responsible for compliance with all legal, regulatory and safety-related requirements concerning its products, and any use of TI components in its applications, notwithstanding any applications-related information or support that may be provided by TI. Buyer represents and agrees that it has all the necessary expertise to create and implement safeguards which anticipate dangerous consequences of failures, monitor failures and their consequences, lessen the likelihood of failures that might cause harm and take appropriate remedial actions. Buyer will fully indemnify TI and its representatives against any damages arising out of the use of any TI components in safety-critical applications.

In some cases, TI components may be promoted specifically to facilitate safety-related applications. With such components, TI's goal is to help enable customers to design and create their own end-product solutions that meet applicable functional safety standards and requirements. Nonetheless, such components are subject to these terms.

No TI components are authorized for use in FDA Class III (or similar life-critical medical equipment) unless authorized officers of the parties have executed a special agreement specifically governing such use.

Only those TI components which TI has specifically designated as military grade or "enhanced plastic" are designed and intended for use in military/aerospace applications or environments. Buyer acknowledges and agrees that any military or aerospace use of TI components which have **not** been so designated is solely at the Buyer's risk, and that Buyer is solely responsible for compliance with all legal and regulatory requirements in connection with such use.

TI has specifically designated certain components as meeting ISO/TS16949 requirements, mainly for automotive use. In any case of use of non-designated products, TI will not be responsible for any failure to meet ISO/TS16949.

Products

Audio	www.ti.com/audio
Amplifiers	amplifier.ti.com
Data Converters	dataconverter.ti.com
DLP® Products	www.dlp.com
DSP	dsp.ti.com
Clocks and Timers	www.ti.com/clocks
Interface	interface.ti.com
Logic	logic.ti.com
Power Mgmt	power.ti.com
Microcontrollers	microcontroller.ti.com
RFID	www.ti-rfid.com
OMAP Applications Processors	www.ti.com/omap
Wireless Connectivity	www.ti.com/wirelessconnectivity

Applications



Automotive and Transportation	www.ti.com/automotive
Communications and Telecom	www.ti.com/communications
Computers and Peripherals	www.ti.com/computers
Consumer Electronics	www.ti.com/consumer-apps
Energy and Lighting	www.ti.com/energy
Industrial	www.ti.com/industrial
Medical	www.ti.com/medical
Security	www.ti.com/security
Space, Avionics and Defense	www.ti.com/space-avionics-defense
Video and Imaging	www.ti.com/video

TI E2E Community

e2e.ti.com

Looking for pricing, stock, or lifecycle information?

Click below to explore more details on WIN SOURCE:

-  [View LM3460M5-1.5/NOPB on WIN SOURCE](#)
-  [Texas Instruments](#) Information

Optimize Your Supply Chain with WIN SOURCE Solutions

-  Global Sourcing Solution
-  Obsolete Management
-  Cost Control Management
-  Shortage Management
-  Alternative Solution
-  Excess Inventory Management