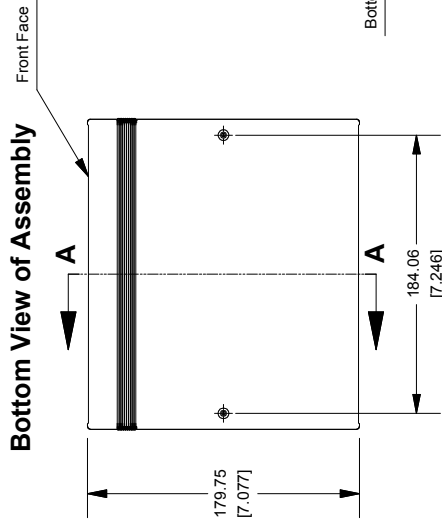




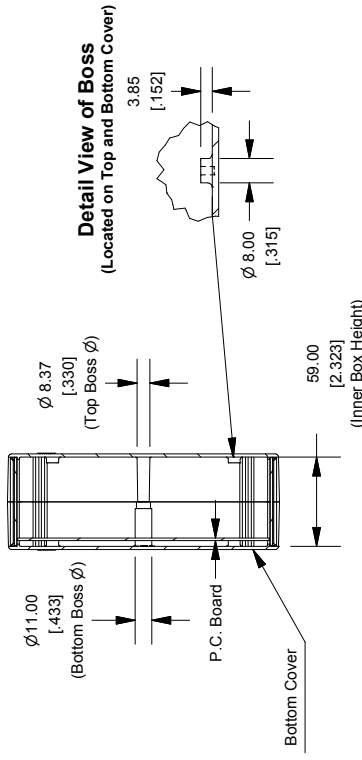
**THE DATASHEET OF  
1598DBK**



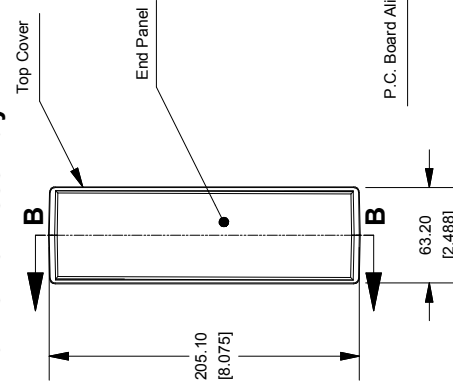
**Bottom View of Assembly**



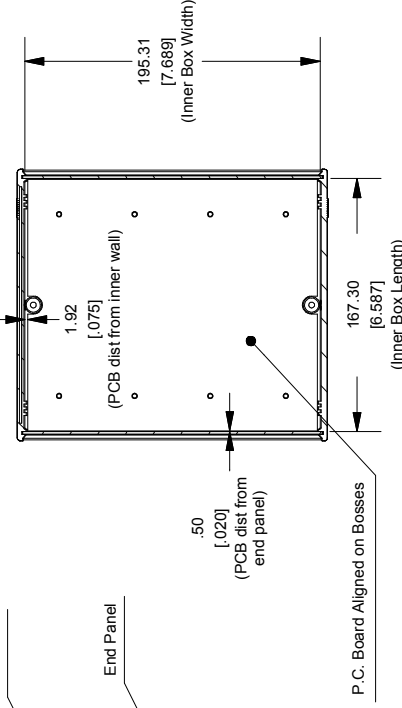
**SECTION A-A  
(Side View Inside Assembly)**



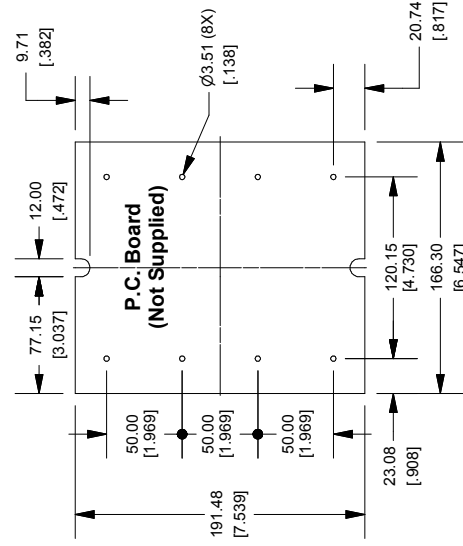
**End View of Assembly**



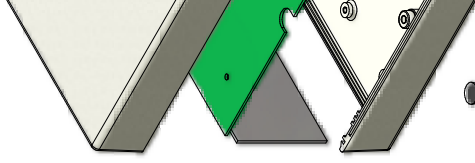
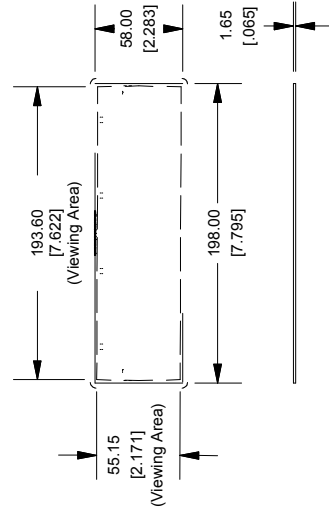
**SECTION B-B  
(Inside of Bottom Cover)**



**Maximum P.C. Board Size**



**Front/Rear Panel  
(Dashed Line Indicates Viewing Area)**



Enclosures can be Fac  
Solid models of this en  
Contact Factory m)



Purchased Assembly incl  
panels (alloy 5052-H32, S  
rubber feet.

1	FLAN
	Black Enclosure with
	Grey Enclosure with
	Black EM/IR/
	NON-FLA
	Grey Enclosure with
	Grey Enclosure with
	Black Plast
	Rubber Feet
	For 1598
	Cover Screws (Pkg 10)
	For 1598
	Cover Screws (Pkg 100)
	For Both
	PCB Screws (Pkg 100)



## Looking for pricing, stock, or lifecycle information?

Click below to explore more details on WIN SOURCE:

-  [View 1598DBK on WIN SOURCE](#)
-  [Hammond Manufacturing Information](#)

## Optimize Your Supply Chain with WIN SOURCE Solutions

-  Global Sourcing Solution
-  Obsolete Management
-  Cost Control Management
-  Shortage Management
-  Alternative Solution
-  Excess Inventory Management