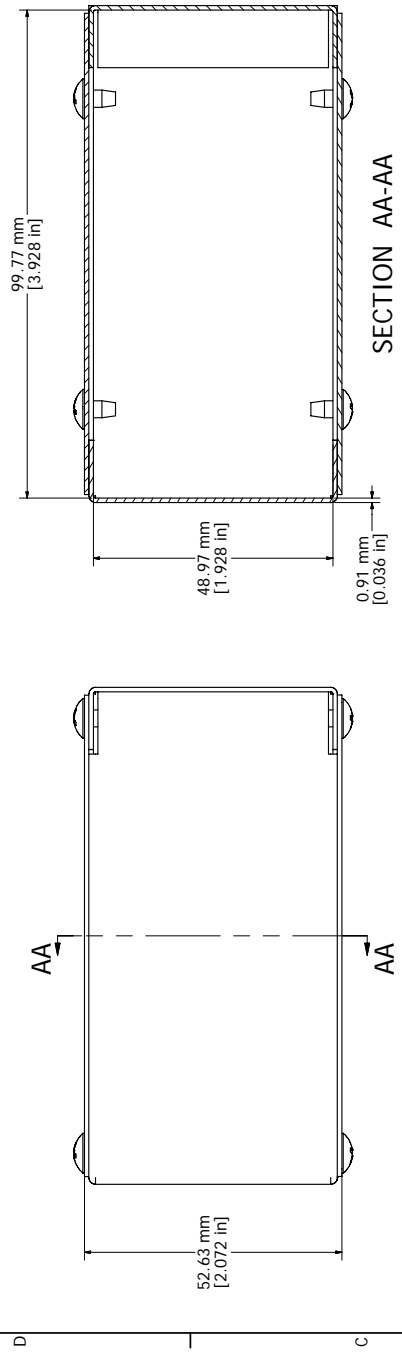


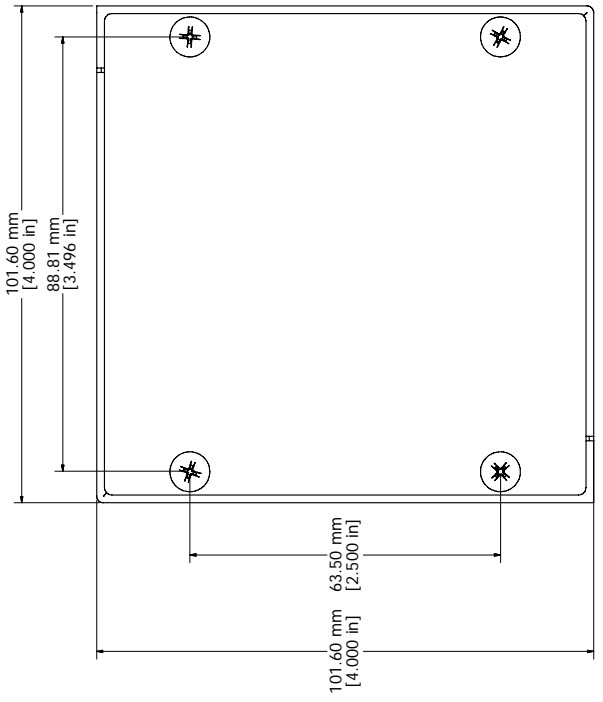


3 4 5 6 7 8



SECTION AA-AA

ASSEMBLY - VIEW FROM SIDE



ASSEMBLY - VIEW FROM TOP

- ASA 61 GREY POWDER  
 - EIGHT  
 EXTRA SCREWS - 1



Contact Factory Enclosures can be Factor Solid models of this enclosure



D C B A

## Looking for pricing, stock, or lifecycle information?

Click below to explore more details on WIN SOURCE:

-  [View 1415A on WIN SOURCE](#)
-  [Hammond Manufacturing Information](#)

## Optimize Your Supply Chain with WIN SOURCE Solutions

-  Global Sourcing Solution
-  Obsolete Management
-  Cost Control Management
-  Shortage Management
-  Alternative Solution
-  Excess Inventory Management