



**THE DATASHEET OF
OSTER200151**



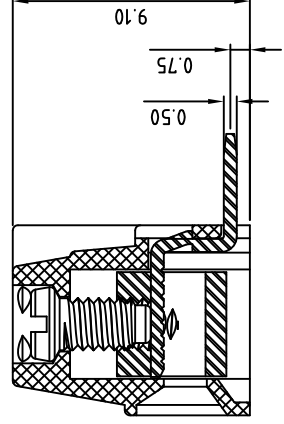
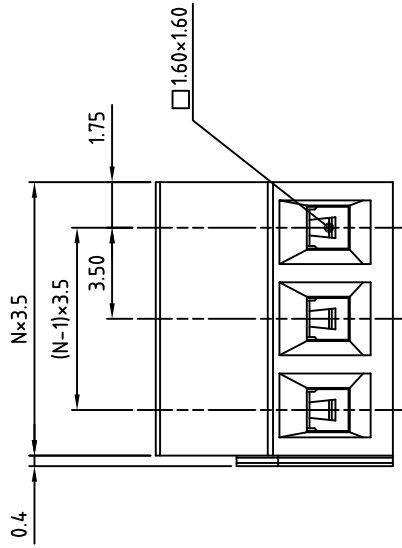
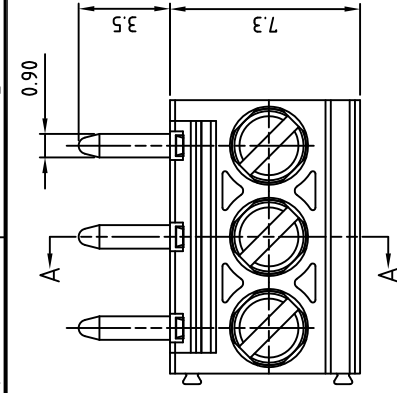
5

4

3

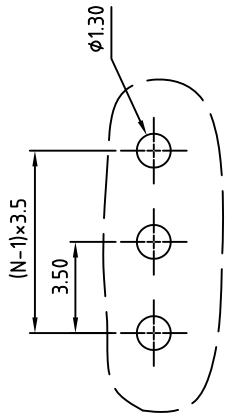
2

1



N=Number of poles

SECTION A-A



P.C.B. LAYOUT

THESE DRAWINGS AND SPECIFICATIONS ARE THE PROPERTY OF ON-SHORE TECHNOLOGY, INC. AND SHALL NOT BE REPRODUCED, COPIED OR USED IN ANY MANNER WITHOUT THE PRIOR WRITTEN CONSENT OF ON-SHORE TECHNOLOGY, INC.

SIGN	DATE	updated operation
	2014.01.07	

THIS IS CAD DRAWING

Material

- Insulating body: TH
- Terminal screw: ST
- Terminal body: BR
- Contact: BR

Electrical

- Voltage rating: 300VAC
- Current rating: 10A
- Wire range:
 - Solid wire(AWG): 16-24
 - Stranded wire(AWG): 16-24
- Torque(Lb-In): 1.7
- Screw: M2
- Wire strip length: 5-6
- Withstanding Voltage:
 - Operating temperature:
 - Soldering temperature:
 - Safety Approval:

RoHS Compliant

PART NUMBER

OSTER

- No. of Poles
- 02: 2 Poles
- 03: 3 Poles
-
- 24: 24 Poles



TITLE	OSTER 3.5 Series 90D, 2-24p		
PART NO.	OSTERXX0151		
APPROVED	CHECKED	DESIGNED	DRAWN
		Aaron	Aaron
		2006.10.04	2006.10.04

5

4


3

2

1

Looking for pricing, stock, or lifecycle information?

Click below to explore more details on WIN SOURCE:

-  [View OSTER200151 on WIN SOURCE](#)
-  [On Shore Technology Inc. Information](#)

Optimize Your Supply Chain with WIN SOURCE Solutions

-  Global Sourcing Solution
-  Obsolete Management
-  Cost Control Management
-  Shortage Management
-  Alternative Solution
-  Excess Inventory Management