



**THE DATASHEET OF
ALS-PT243-3C/L177**





LIGHTING FOREVER

5mm T-1 3/4 Ambient Light Sensor

ALS-PT243-3C/L177

Features

- Close responsively to the human eye spectrum
- Light to Current, analog output
- Good output linearity across wide illumination range
- Low sensitivity variation across various light sources
- Operation temperature performance, -40°C to 85°C
- Wide supply voltage range, 2.5V to 5.5V
- Size : 5mm Lamp (Flat lens)
- RoHS compliant and Pb Free package



Description

The ALS-PT243-3C/L177 is an ambient light sensor, consisting of phototransistor in DIP package. EVERLIGHT ALS series products are a good effective solution to the power saving of display backlighting of mobile appliances, such as the mobile phones, NB and PDAs. Due to the high rejection ratio of infrared radiation, the spectral response of the ambient light sensor is close to human eyes.

Applications

- Detection of ambient light to control display backlighting
 - Mobile devices – Mobile phones, PDAs
 - Computing device – TFT LCD monitor for Notebook computer
 - Consumer device – TFT LCD TV, Video camera, Digital camera, Toys
- Automatic residential and commercial management
- Automatic contrast enhancement for electronic signboard
- Ambient light monitoring device for daylight and artificial light
 - Street light, CCD/CCTV

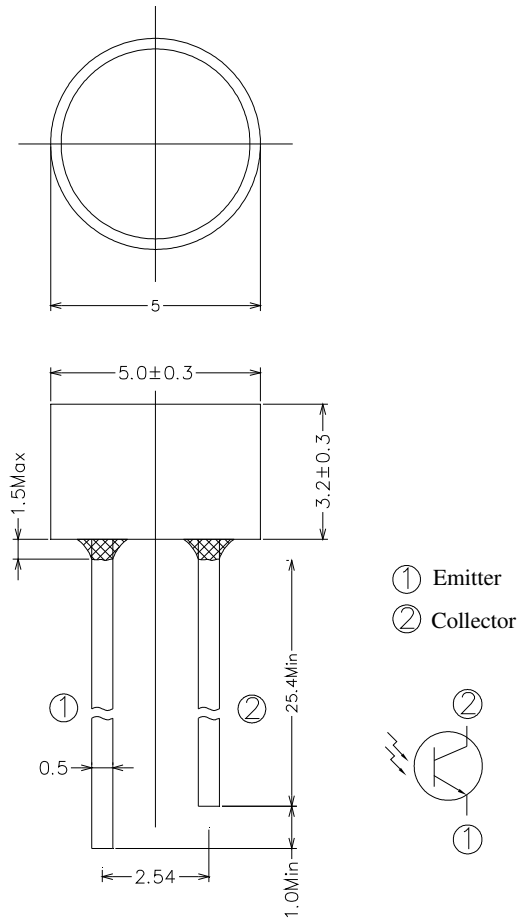


LIGHTING FOREVER

5mm T-1 3/4 Ambient Light Sensor

ALS-PT243-3C/L177

Package Dimensions



- Notes:** 1. All dimensions are in millimeters
2. Tolerances unless dimensions $\pm 0.1\text{mm}$



LIGHTING FOREVER

5mm T-1 3/4 Ambient Light Sensor

ALS-PT243-3C/L177

Absolute Maximum Ratings (Ta=25°C)

Parameter	Symbol	Rating	Unit
Supply Voltage	V _{CE}	-0.5~6.0	V
Operating Temperature Range	T _{opr}	-40 ~ +85	°C
Storage Temperature Range	T _{stg}	-40 ~ +100	°C

Recommended Operating Conditions (Ta=25°C)

Parameter	Symbol	Min.	Max.	Unit
Operating Temperature	T _{opr}	-40	+85	°C
Supply Voltage	V _{CE}	2.5	5.5	V

Rankings

Bin	Symbol	Min	Max	Unit	Test Condition
1	I _{PH}	5	12	μA	V _{CE} =5V E _v =100Lux
2		12	17		
3		17	23		

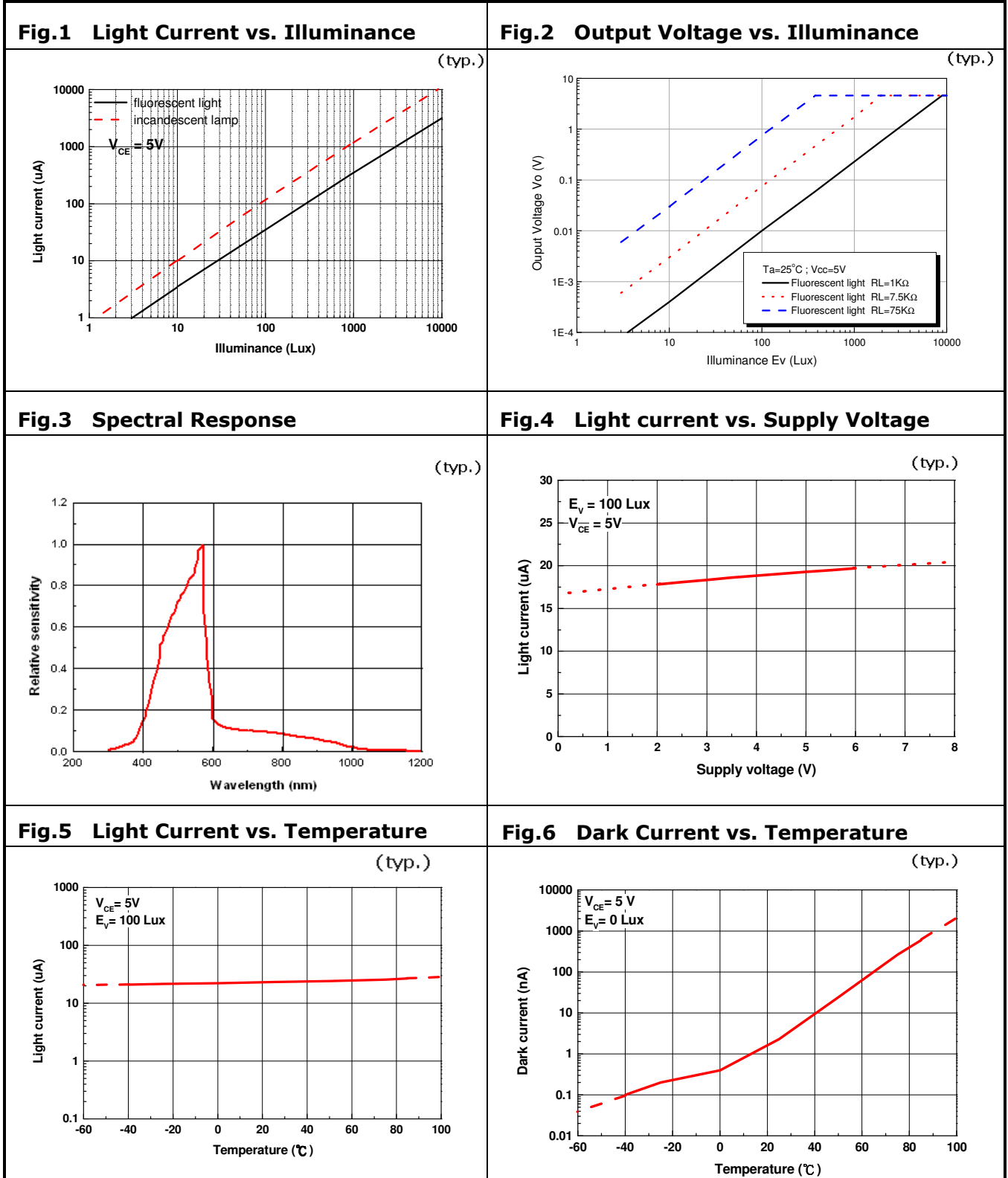
Electrical and Optical Characteristics (Ta=25°C)

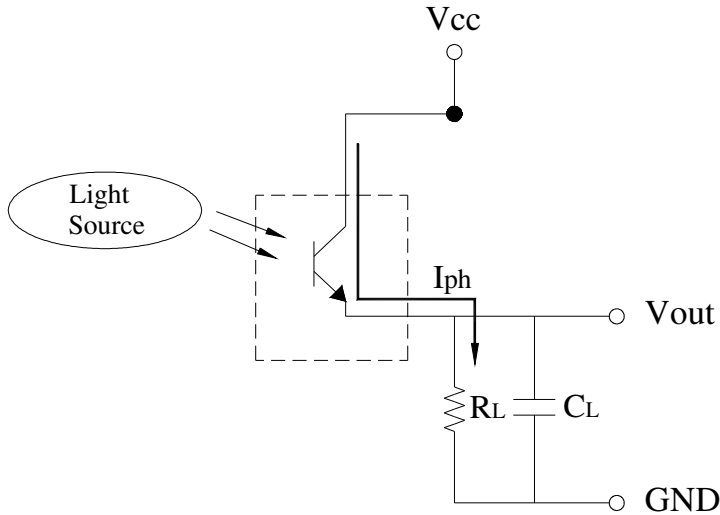
Parameter	Symbol	MIN	TYP	MAX.	Unit	Test Condition
Dark Current	I_{CEO}	---	---	0.1	uA	$V_{CE}=10V, E_v=0Lux$
Collector-Emitter Saturation Voltage	$V_{CE(sat)}$	---	---	0.4	V	$I_C=2mA, E_v=1000Lux$
Light Current	I_{PH1}	0.7	1	---	uA	$V_{CE}=5V, E_v=10Lux$ [Note1]
	I_{PH2}	7	10	---	uA	$V_{CE}=5V, E_v=100Lux$ [Note1]
	I_{PH3}	200	230	---	uA	$V_{CE}=5V, E_v=1000Lux$ [Note1]
	I_{PH4}	950	1100	---	uA	$V_{CE}=5V, E_v=1000Lux$ [Note2]
Photocurrent Ratio	I_{PH4} / I_{PH3}	---	4.8	---	---	$V_{CE}=5V, E_v=1000Lux$
Saturation Output Voltage	V_o	4.5	4.6	---	V	$V_{CE}=5V, E_v=1000Lux$ $R_L=75K\Omega$ [Note2]
Peak Sensitivity Wavelength	λ_p	---	630	---	nm	
Sensitivity Wavelength Range	λ	390	---	700	nm	
Rise time	t_r	---	0.11	---	ms	$V_{CE}=5V$ $R_L=7.5K\Omega$
Fall time	t_f	---	0.22	---	ms	
Angle of half Sensitivity	$2\theta_{1/2}$	---	143	---	Deg.	

Note:

1. White Fluorescent light (Color Temperature = 6500K) is used as light source. However, White LED is substituted in mass production.
2. Illuminance by CIE standard illuminant-A / 2856K, incandescent lamp.

Typical Electrical and Optical Characteristics Curves



Converting Photocurrent to Voltage**Note:**

1. The output voltage (V_{out}) is the product of photocurrent (I_{PH}) and loading resistor (R_L)
2. A right loading resistor shall be chosen to meet the requirement of maximum ambient light, and output saturation voltage:

$$V_{out(max.)} = I_{out(max.)} \times R_L \leq V_{out(saturation)} = V_{cc} - 0.4V$$



LIGHTING FOREVER

5mm T-1 3/4 Ambient Light Sensor

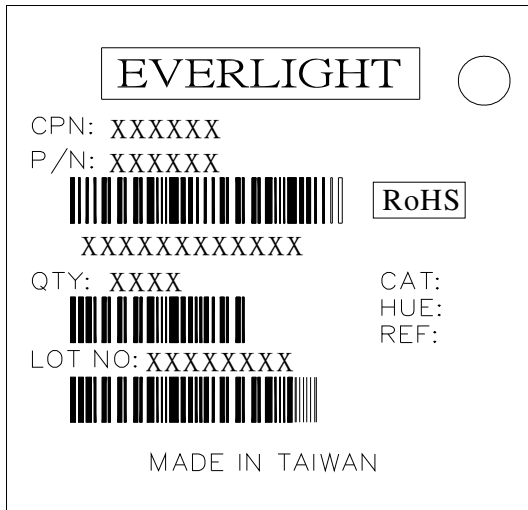
ALS-PT243-3C/L177

Packing Quantity Specification

1.500PCS/1Bag , 5Bags/1Box

2.10Boxes/1Carton

Label Format





LIGHTING FOREVER

**5mm T-1 3/4
Ambient Light Sensor**

ALS-PT243-3C/L177

Notes

1. Above specification may be changed without notice. EVERLIGHT will reserve authority on material change for above specification.
2. When using this product, please observe the absolute maximum ratings and the instructions for using outlined in these specification sheets. EVERLIGHT assumes no responsibility for any damage resulting from use of the product which does not comply with the absolute maximum ratings and instructions included in these specification sheets.
3. These specification sheets include materials protected under copyright of EVERLIGHT corporation. Please don't reproduce or cause anyone to reproduce them without EVERLIGHT's consent.

Looking for pricing, stock, or lifecycle information?

Click below to explore more details on WIN SOURCE:

- ⊖ [View ALS-PT243-3C/L177 on WIN SOURCE](#)
- ⊖ [Everlight Electronics Co Ltd Information](#)

Optimize Your Supply Chain with WIN SOURCE Solutions

- ✓ Global Sourcing Solution
- ✓ Obsolete Management
- ✓ Cost Control Management
- ✓ Shortage Management
- ✓ Alternative Solution
- ✓ Excess Inventory Management