

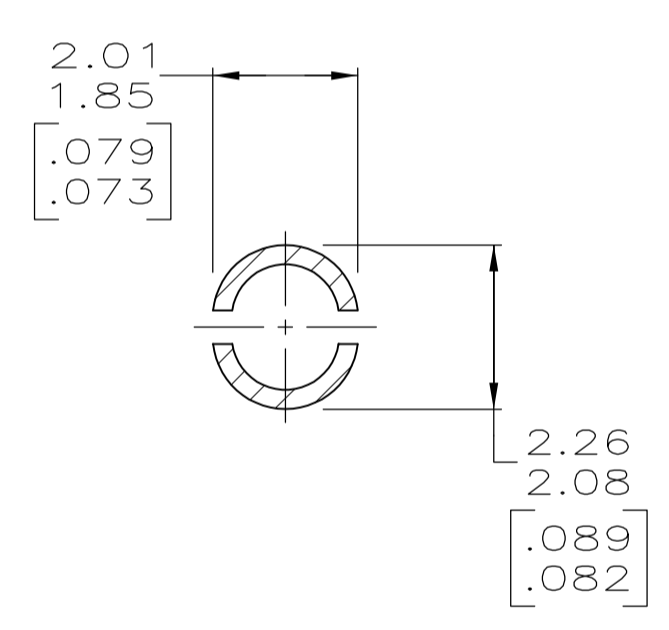
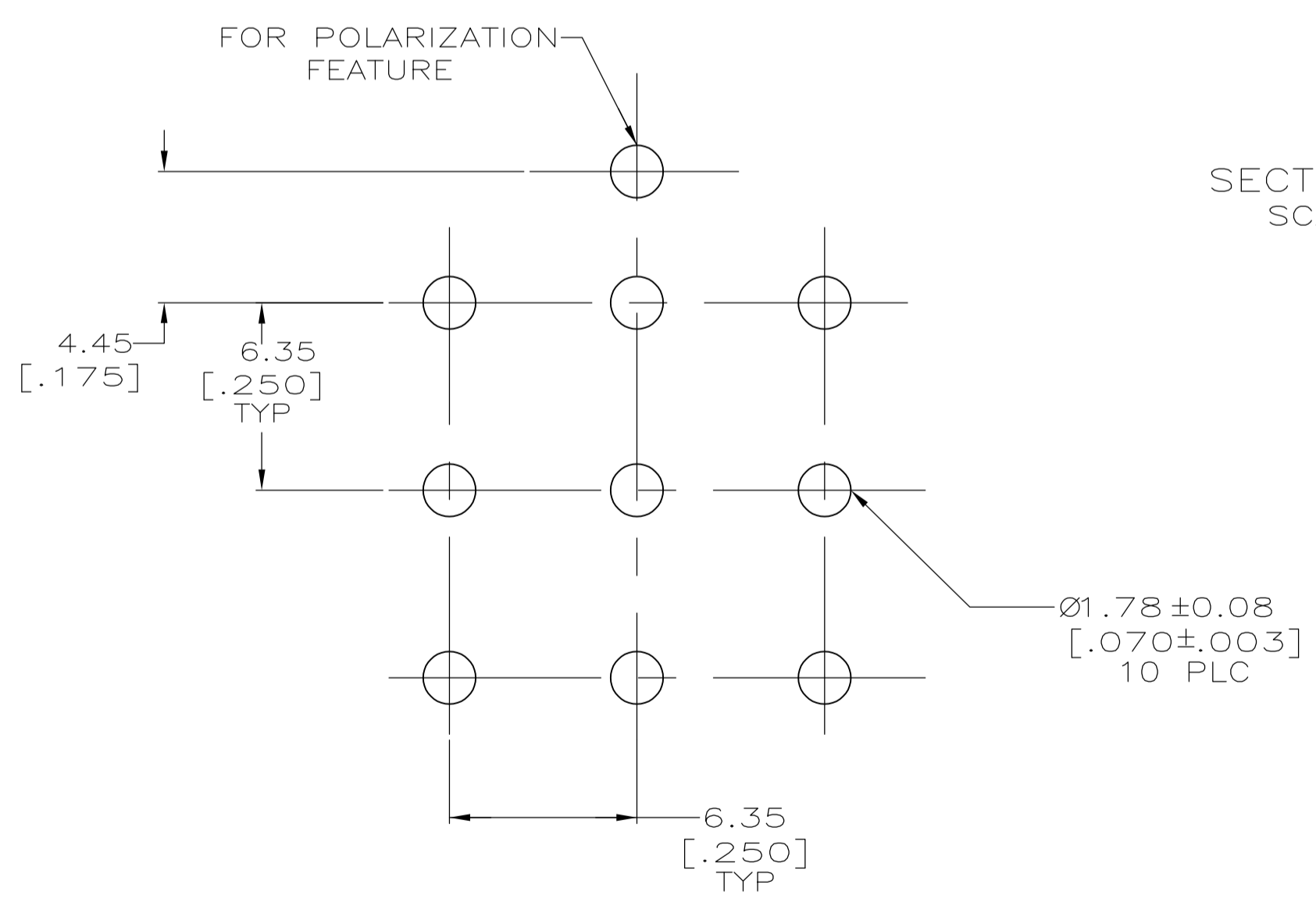
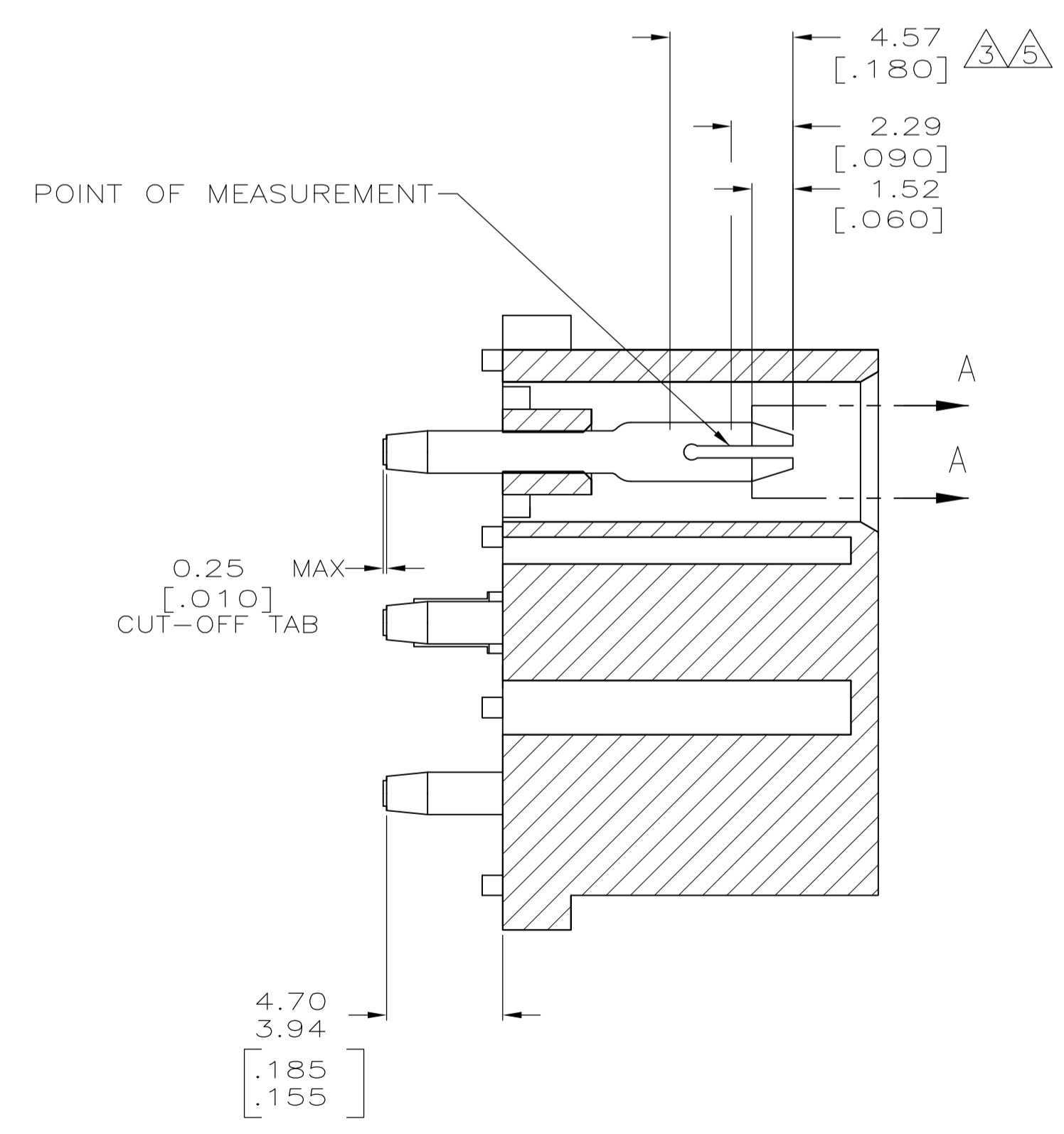
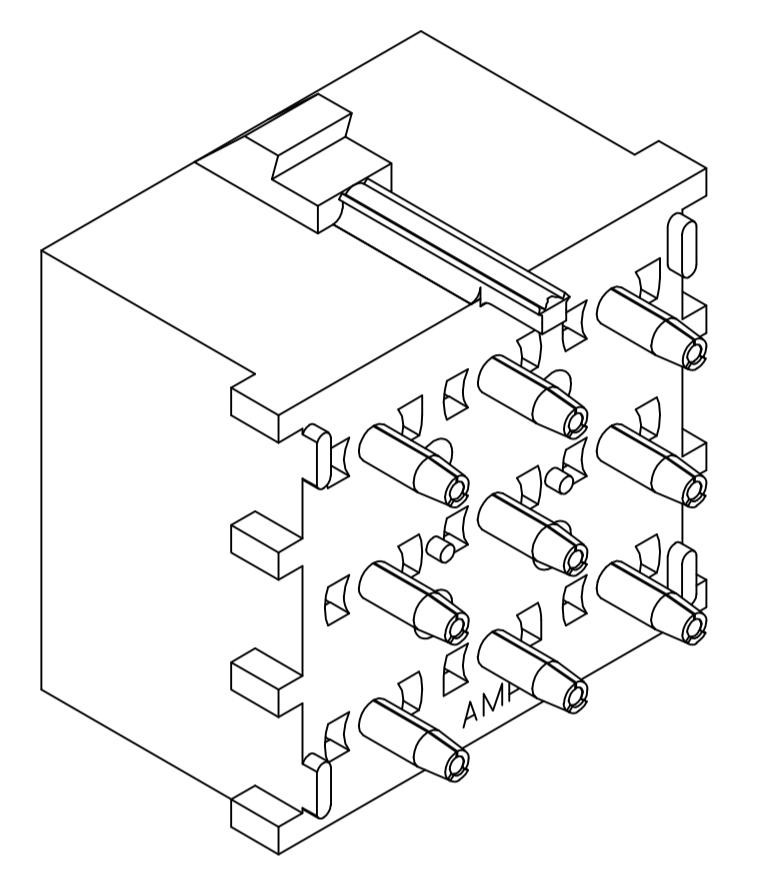
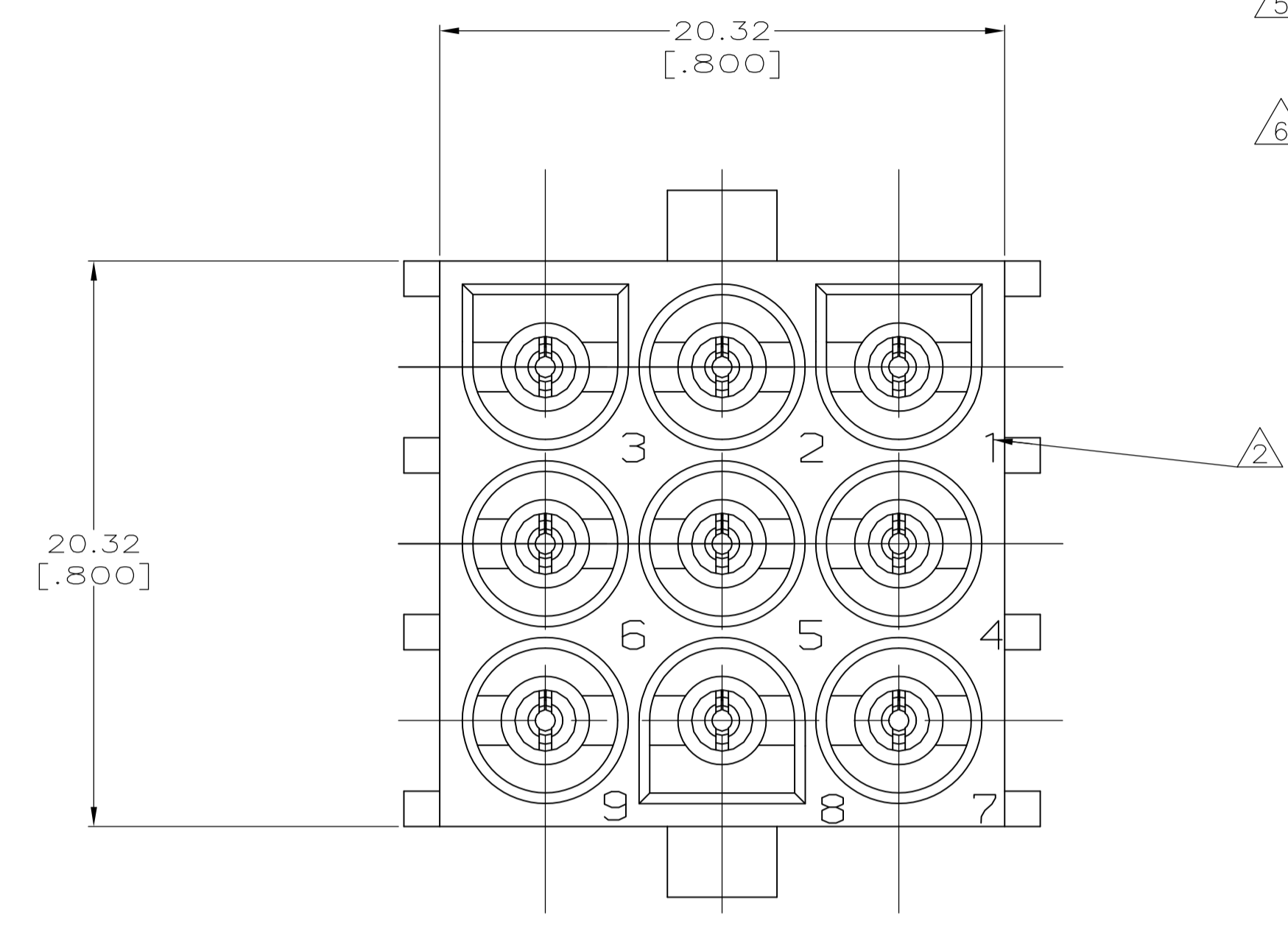
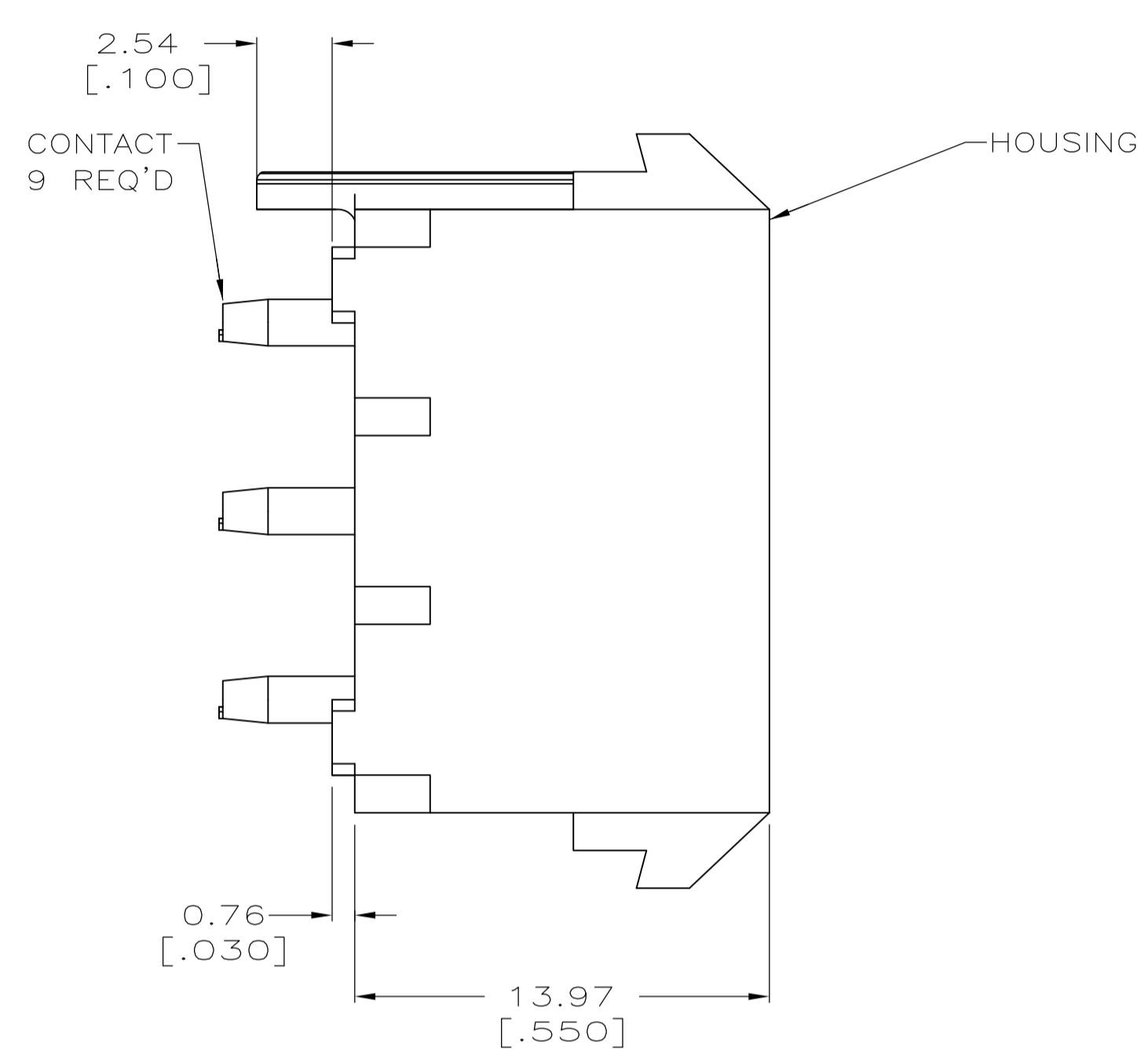
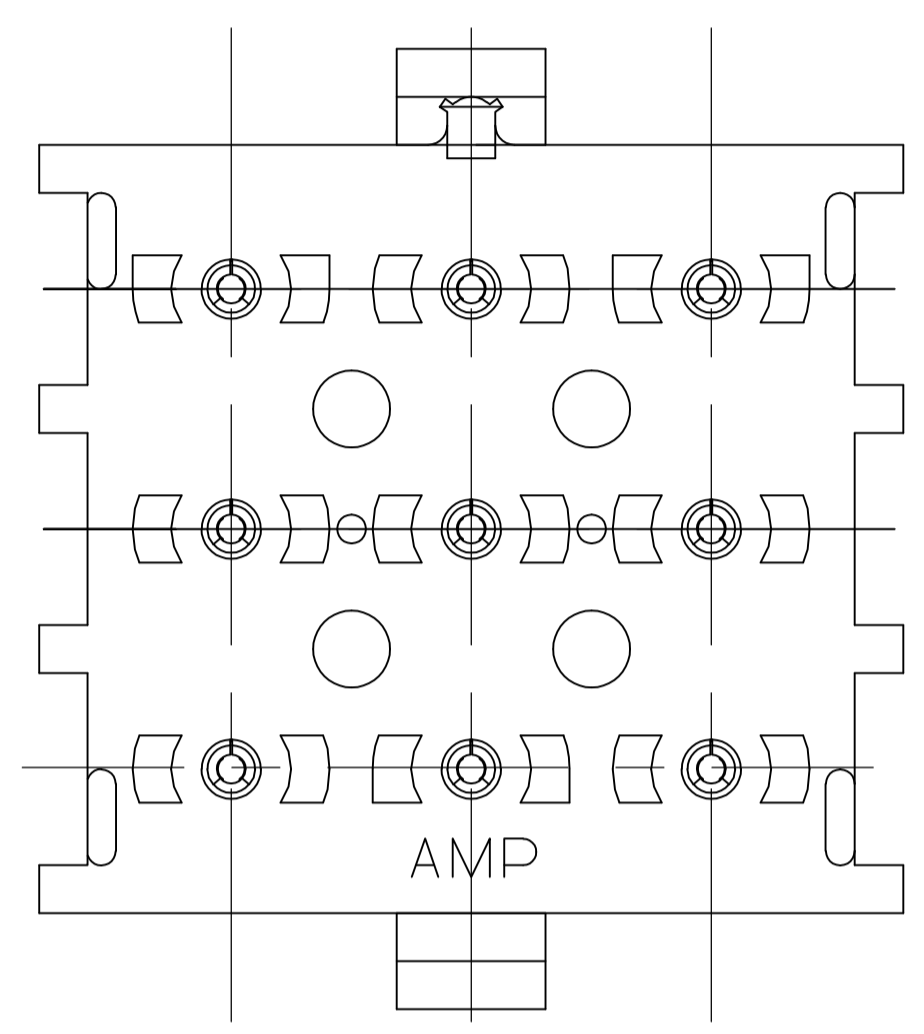


**THE DATASHEET OF**  
**641972-1**



REVISIONS				
REV	DATE	DESCRIPTION	BY	APP'D
R3	16MAY17	REVISED PER ECO-17-007038	RS	KR

- 1 PARTS COMPLY WITH AMP SOLDERABILITY SPECIFICATION 109-11-3.
- 2 CIRCUIT IDENTIFICATION CHARACTERS ARE ADJACENT TO THE INDICATED CAVITIES, BUT LOCATION AND ORIENTATION MAY DIFFER FROM PRINT.
- 3 CONTACT IS PLATED OVERALL WITH 0.00127 [.000050] NICKEL, THEN 0.00076 [.000030] GOLD OVER CONTACT LENGTH INDICATED AND MATTE TIN LEAD ON SOLDER TAIL END.
- 4 DIMENSIONS IN BRACKETS ARE IN INCHES.
- 5 CONTACT IS PLATED OVERALL WITH 0.00127 [.000050] NICKEL, THEN 0.00076 [.000030] GOLD OVER CONTACT LENGTH INDICATED AND MATTE TIN ON SOLDER TAIL END.
- 6 SUPERSEDED BY 641972-3




RECOMMENDED MOUNTING HOLE PATTERN FOR 1.57 [.062] THICK P.C. BOARD

MATERIAL	FINISH	MATERIAL	COLOR	PART NO
PH BRZ	GOLD PLATED	NYLON, UL94V-0	WHITE	641972-3
PH BRZ	TIN PLATED	NYLON, UL94V-0	BLACK	1-641972-1
PH BRZ	GOLD PLATED	NYLON, UL94V-0	WHITE	641972-2
PH BRZ	TIN PLATED	NYLON, UL94V-0	WHITE	641972-1

THIS DRAWING IS A CONTROLLED DOCUMENT.		DIN 8-29-97	STE TE Connectivity	
DIMENSIONS: mm [INCHES]		8-29-97	NAME: PIN HEADER ASSEMBLY, POLARIZED, 9 CIRCUIT, UNIVERSAL MATE-N-LOK™	
TOLERANCES UNLESS OTHERWISE SPECIFIED:		8-29-97	SIZE: A1	
0 PLC	± -	8-29-97	DRAWING NO: 00779	
1 PLC	± -	8-29-97	CAGE CODE: 641972	
2 PLC	± -	8-29-97	WEIGHT: 0.000000	
3 PLC	± 0.13 [.005]	8-29-97	CUSTOMER DRAWING	
4 PLC	± -	8-29-97	SCALE: 5:1	
ANGLES	± -	8-29-97	SHEET: 1 OF 1	
MATERIAL: SEE TABLE		8-29-97	REV: R3	
FINISH: SEE TABLE		8-29-97		

## Looking for pricing, stock, or lifecycle information?

Click below to explore more details on WIN SOURCE:

 [View 641972-1 on WIN SOURCE](#)

 [TE Connectivity](#) Information

## Optimize Your Supply Chain with WIN SOURCE Solutions

-  Global Sourcing Solution
-  Obsolete Management
-  Cost Control Management
-  Shortage Management
-  Alternative Solution
-  Excess Inventory Management