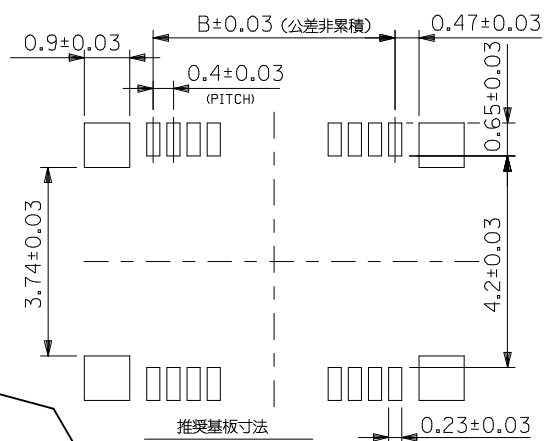
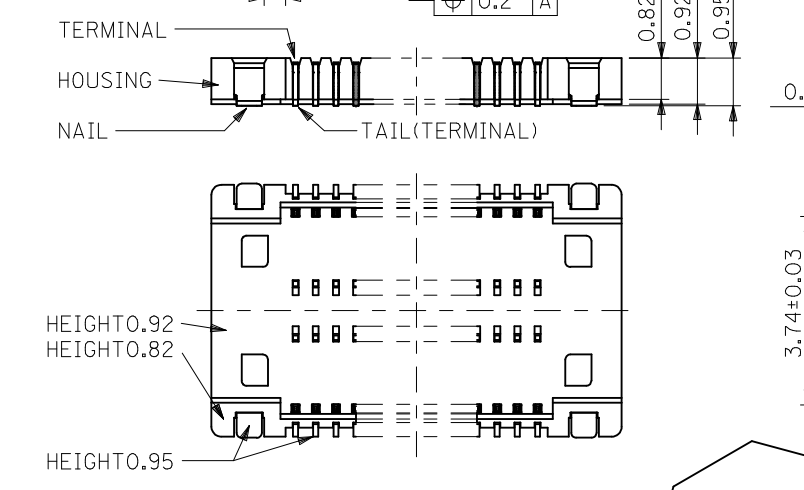
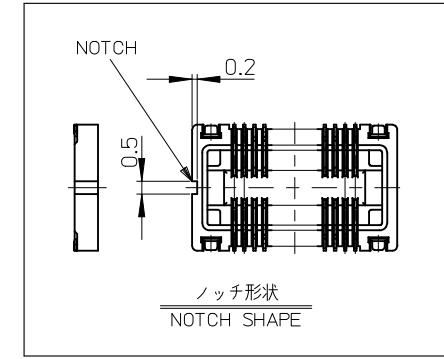
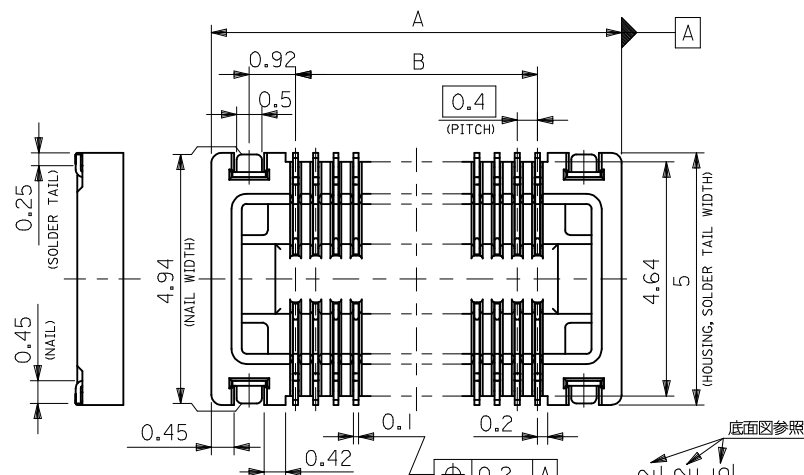




**THE DATASHEET OF**  
**5000245071**





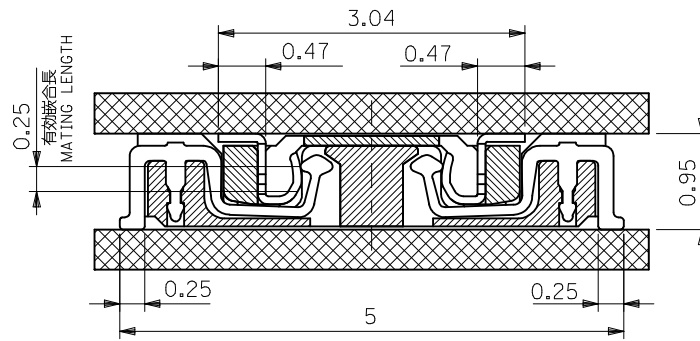
推奨基板寸法  
RECOMMENDED P.C.B  
PATTERN LAYOUT

- 注記 NOTES
- 材質 MATERIAL  
ハウジング : 液晶ポリマー-UL94V-0  
HOUSING : LIQUID CRYSTAL POLYMER [LCP]  
UL94V-0  
ターミナル : 銅合金  
TERMINAL : COPPER ALLOY  
ネール : 銅合金  
NAIL : COPPER ALLOY
  - メッキ仕様 PLATING  
接点部 : 金メッキ 0.1μm  
CONTACT AREA : GOLD PLATING 0.1μm  
半田付け部 : 金メッキ 0.1μm  
SOLDER TAIL AREA : GOLD PLATING 0.1μm  
下地メッキ : ニッケルメッキ 1.0 μm  
UNDER PLATING : NICKEL PLATING 1.0 μm  
ネール : 鍍メッキ 1.0μm  
NAIL : TIN PLATING 1.0μm  
下地メッキ : ニッケルメッキ 0.5 μm  
UNDER PLATING : NICKEL PLATING 0.5 μm
  - テール及びネールの平坦度は0.1以下  
TAIL AND NAIL COPLANARITY : 0.1 MAX.
  - 嵌合相手 : 500027 シリーズ  
MATE WITH : 500027 SERIES
  - 本製品は 500024-\*\*\*9 の鉛フリー品である。  
THIS PRODUCT IS LEAD FREE OF 50024-\*\*\*9

14.94	11.6	500024-6071	X	60
10.94	7.6	500024-4071	O	40
A	B	EMBOSSED TAPE PACKAGE	NOTCH	極数
		オナー番号 ORDER NO.		CIRCUITS

CONNECTOR SERIES No. : 500024-\*\*\*08

REVISED EC NO: J2014-1542 DRWN: YSATO06 2014/04/10 CHKD: TASAKAWA 2014/04/17 APPR: TASAKAWA 2014/04/18	GENERAL TOLERANCES (UNLESS SPECIFIED)		DIMENSION STYLE MM ONLY	SCALE 10:1	DESIGN UNITS METRIC	THIRD ANGLE PROJECTION
	10 UNDER	±0.2	DRAWN BY H. SHIMABUKUR	DATE '04/02/18	TITLE 0.4 BB CONN. H=0.95 REC. ASSY.	
	10 OVER 30 UNDER	±0.25	CHECKED BY K. TOJO	DATE '04/02/18		
	30 OVER	±0.3	APPROVED BY M. SASAO	DATE '04/02/18		
REV	DESCRIPTION	ANGULAR ±3 °	MATERIAL NO.	DOCUMENT NO.	SHEET NO.	
		DRAFT WHERE APPLICABLE MUST REMAIN WITHIN DIMENSIONS	SEE CHART	SD-500024-018	1 OF 2	
			SIZE A3	THIS DRAWING CONTAINS INFORMATION THAT IS PROPRIETARY TO MOLEX INCORPORATED AND SHOULD NOT BE USED WITHOUT WRITTEN PERMISSION		



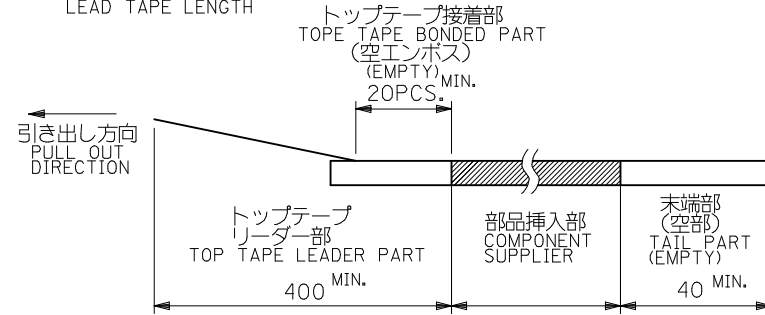
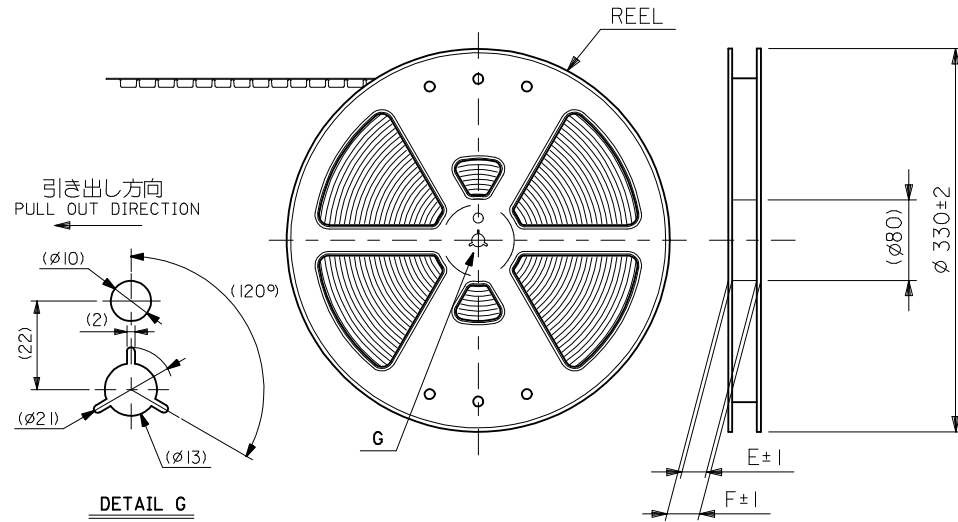
嵌合断面図 (参考)  
MATED DRAWING

CONNECTOR SERIES No. : 500024-\*\*-08

REVISED EC NO: J2014-1542 DRWN: YSATO06 2014/04/10 CHKD: TASAKAWA 2014/04/17 APPR: TASAKAWA 2014/04/18	GENERAL TOLERANCES (UNLESS SPECIFIED)		DIMENSION STYLE MM ONLY	SCALE 20:1	DESIGN UNITS METRIC	THIRD ANGLE PROJECTION
	10 UNDER	±0.2	DRAWN BY H. SHIMABUKUR	DATE '04/02/18	TITLE 0.4 BB CONN. H=0.95 REC. ASSY.	
	10 OVER 30 UNDER	±0.25	CHECKED BY K. TOJO	DATE '04/02/18		
	30 OVER	±0.3	APPROVED BY M. SASAO	DATE '04/02/18	<b>molex</b> DOCUMENT NO. SD-500024-018 SHEET NO. 2 OF 2	
ANGULAR ±3 °		MATERIAL NO. SEE CHART 1				
DRAFT WHERE APPLICABLE MUST REMAIN WITHIN DIMENSIONS		THIS DRAWING CONTAINS INFORMATION THAT IS PROPRIETARY TO MOLEX INCORPORATED AND SHOULD NOT BE USED WITHOUT WRITTEN PERMISSION				

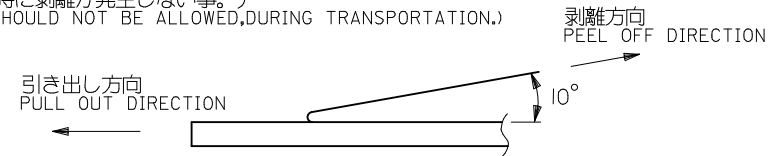
注)  
NOTES

1. 製品番号 500024-\*\*\*8 詳細寸法については、製品単体図面を参照下さい。  
IN THE PACKAGE PART NUMBER 500024-\*\*\*8 DETAILED DIMENSIONS, SEE SALES DRAWING FOR CONNECTOR.
2. 梱包数量：2000個/リール  
NUMBER OF CONNECTORS : 2000 PCS/REEL.
3. リードテープ長さ  
LEAD TAPE LENGTH



4. トップテープの剥離強度：(剥離方向は下図参照)  
PEELING OFF FORCE OF TOP TAPE (PELLING DIRECTION AS SHOWN IN FOLLOWING FIGURE.)  
0. 1~1. 3N {10~130gf}

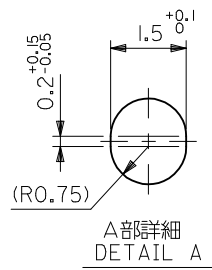
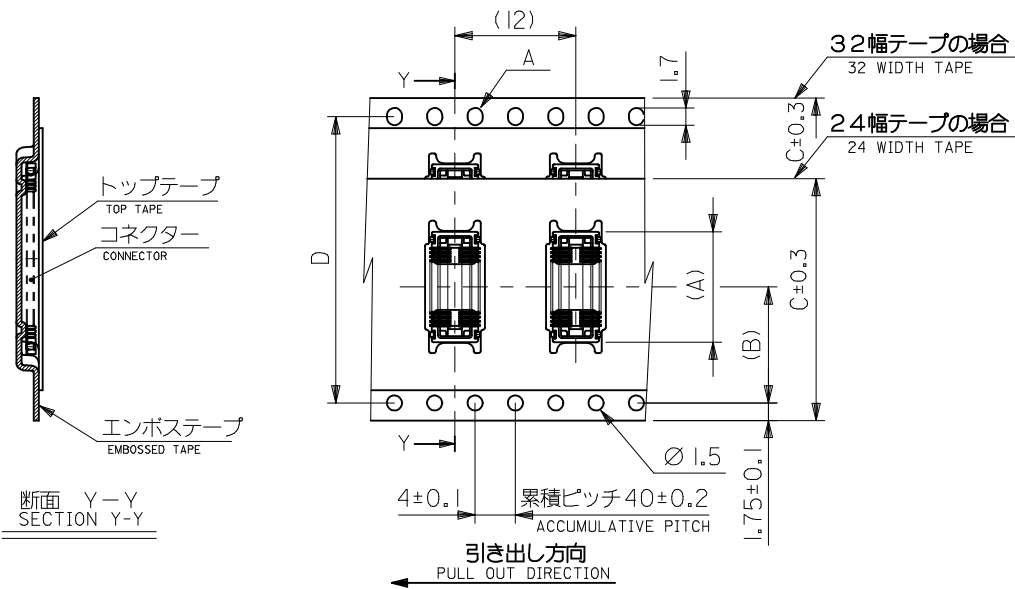
尚、本規格値は、出荷時に適用。  
THIS REQUIREMENT SHOULD BE APPLIED AT SHIPMENT.  
(但し、輸送時に剥離が発生しない事。)  
(PEEL OFF SHOULD NOT BE ALLOWED, DURING TRANSPORTATION.)



5. 材料  
MATERIAL  
キャリアテープ：ポリプロピレン (PP)  
CARRIER TAPE: POLYPROPYLENE (PP)  
トップテープ：PET, PE, PEF  
TOP TAPE: PET, PE, PEF  
リール：ポリスチレン  
REEL : POLYSTYRENE
6. 本製品は 500024-\*\*\*01 の鉛フリー品である。  
THIS PRODUCT IS LEAD FREE OF 500024-\*\*\*01

MODEL No. 500024-\*\*\*71

REVISED EC NO: J2014-1542 DRWN: YSATO06 2014/04/10 CHKD: TASAKAWA 2014/04/17 APPR: TASAKAWA 2014/04/18	GENERAL TOLERANCES (UNLESS SPECIFIED)		DIMENSION STYLE MM ONLY	SCALE ---	DESIGN UNITS METRIC	THIRD ANGLE PROJECTION
	10 UNDER	±0.2	DRAWN BY HSHIMABUKURO	DATE 2004/02/18	TITLE 0.4 BB CONN. H=0.95 REC. ASSY. EMBSTP. PKG	
	10 OVER 30 UNDER	±0.25	CHECKED BY TTOJO	DATE 2004/02/18		
	30 OVER	±0.3	APPROVED BY	DATE		
ANGULAR ±3 °	DRAFT WHERE APPLICABLE MUST REMAIN WITHIN DIMENSIONS		MATERIAL NO. SEE CHART 2	DOCUMENT NO. SD-500024-019	SHEET NO. 1 OF 2	
SIZE A3	THIS DRAWING CONTAINS INFORMATION THAT IS PROPRIETARY TO MOLEX INCORPORATED AND SHOULD NOT BE USED WITHOUT WRITTEN PERMISSION					



37.4	33.4	28.4	32	14.2	14.94	500024-6071	60
29.4	25.4	X	24	11.5	10.94	500024-4071	40
F	E	D	C	B	A	MATERIAL NO.	極数 CIRCUITS

REVISED EC NO: J2014-1542 DRWN: YSATO06 2014/04/10 CHKD: TASAKAWA 2014/04/17 APPR: TASAKAWA 2014/04/18	GENERAL TOLERANCES (UNLESS SPECIFIED)		DIMENSION STYLE MM ONLY		SCALE ---		DESIGN UNITS METRIC		MODEL No. : 500024-**71	
	10 UNDER ±0.2		DRAWN BY DATE HSHIMABUKURO 2004/02/18		TITLE 0.4 BB CONN. H=0.95 REC. ASSY. EMBSTP. PKG		THIRD ANGLE PROJECTION			
	10 OVER 30 UNDER ±0.25		CHECKED BY DATE KTOJO 2004/02/18		APPROVED BY DATE		MATERIAL NO.		DOCUMENT NO.	
	30 OVER ±0.3		ANGULAR ±3 °		SEE CHART		SD-500024-019		SHEET NO. 2 OF 2	
DRAFT WHERE APPLICABLE MUST REMAIN WITHIN DIMENSIONS		SIZE A3		THIS DRAWING CONTAINS INFORMATION THAT IS PROPRIETARY TO MOLEX INCORPORATED AND SHOULD NOT BE USED WITHOUT WRITTEN PERMISSION						

## Looking for pricing, stock, or lifecycle information?

Click below to explore more details on WIN SOURCE:

 [View 5000245071 on WIN SOURCE](#)

 [Molex, LLC Information](#)

## Optimize Your Supply Chain with WIN SOURCE Solutions

-  Global Sourcing Solution
-  Obsolete Management
-  Cost Control Management
-  Shortage Management
-  Alternative Solution
-  Excess Inventory Management