



**THE DATASHEET OF
BCM20732A0KML2GT**





CYW20732A0

**Single-Chip
Bluetooth Low-Energy Only SoC**

The Cypress CYW20732A0 is a Bluetooth Low-Energy (BLE)-only SoC. The CYW20732A0 radio has been designed to provide low power, low cost, and robust communications for applications operating in the globally available 2.4 GHz unlicensed Industrial, Scientific, and Medical (ISM) band.

The single-chip BLE SoC is a monolithic component implemented in a standard digital CMOS process and requires minimal external components to make a fully compliant Bluetooth device. The CYW20732A0 is available in a 32-pin, 5 mm × 5 mm 32-QFN package.

Cypress Part Numbering Scheme

Cypress is converting the acquired IoT part numbers from Broadcom to the Cypress part numbering scheme. Due to this conversion, there is no change in form, fit, or function as a result of offering the device with Cypress part number marking. The table provides Cypress ordering part number that matches an existing IoT part number.

Table 1. Mapping Table for Part Number between Broadcom and Cypress

| Broadcom Part Number | Cypress Part Number |
|----------------------|---------------------|
| BCM20732 | CYW20732 |
| BCM20732A0KML2G | CYW20732A0KML2G |

Features

- Bluetooth Low-Energy (BLE)-compliant
- Infrared modulator
- IR learning
- Supports Adaptive Frequency Hopping
- Excellent receiver sensitivity
- 10-bit auxiliary ADC with nine analog channels
- On-chip support for serial peripheral interface (master and slave modes)
- Cypress CypressSerial Control (BSC) interface (compatible with NXP I²C slaves)
- Programmable output power control
- Integrated ARM Cortex-M3 based microprocessor core
- On-chip power-on reset (POR)
- Support for EEPROM and serial flash interfaces
- Integrated Low DropOut (LDO) regulator
- On-chip, software controlled power management unit
- 32-pin 32-QFN (5 mm × 5 mm) package
- RoHS compliant

Applications

The following profiles are supported in ROM:

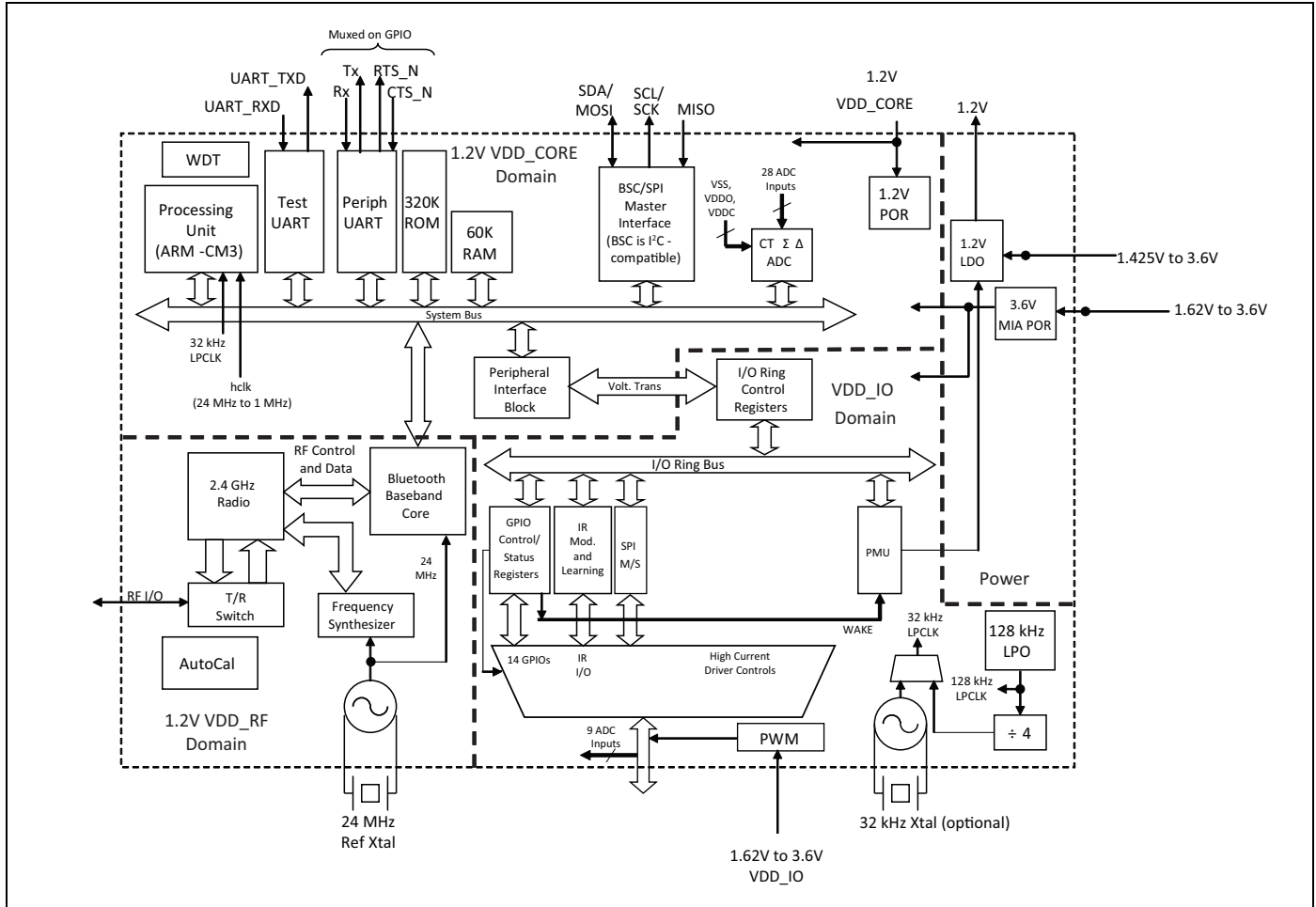
- Battery status
- Blood pressure monitor
- Find me
- Heart rate monitor
- Proximity
- Thermometer
- Weight scale
- Time

Additional profiles that can be supported from RAM include:

- Blood glucose monitor
- Temperature alarm
- Location

Full qualification and use of these profiles may require firmware updates from Cypress. Some profiles are under development/ approval at Bluetooth SIG and conformity with the final approved version is pending. Contact your supplier for updates and the latest list of profiles.

Figure 1. Functional Block Diagram



IoT Resources

Cypress provides a wealth of data at <http://www.cypress.com/internet-things-iot> to help you to select the right IoT device for your design, and quickly and effectively integrate the device into your design. Cypress provides customer access to a wide range of information, including technical documentation, schematic diagrams, product bill of materials, PCB layout information, and software updates. Customers can acquire technical documentation and software from the Cypress Support Community website (<http://community.cypress.com/>).

Contents

| | | | |
|--|----------|--|-----------|
| 1. Functional Description | 4 | 2. Pin Assignments | 15 |
| 1.1 Bluetooth Baseband Core | 4 | 2.1 Pin Descriptions | 15 |
| 1.2 Infrared Modulator | 5 | 2.2 Ball Maps | 19 |
| 1.3 Infrared Learning | 5 | 3. Specifications | 20 |
| 1.4 ADC Port | 6 | 3.1 Electrical Characteristics | 20 |
| 1.5 Serial Peripheral Interface | 6 | 3.2 RF Specifications | 23 |
| 1.6 Microprocessor Unit | 7 | 3.3 Timing and AC Characteristics | 24 |
| 1.7 Integrated Radio Transceiver | 8 | 3.4 ESD Test Models | 27 |
| 1.8 Peripheral Transport Unit | 9 | 4. Mechanical Information | 29 |
| 1.9 Clock Frequencies | 10 | 5. Ordering Information | 31 |
| 1.10 GPIO Port | 12 | A. Appendix: Acronyms and Abbreviations | 32 |
| 1.11 PWM | 12 | Document History | 33 |
| 1.12 Power Management Unit | 13 | | |

1. Functional Description

1.1 Bluetooth Baseband Core

The Bluetooth Baseband Core (BBC) implements all of the time-critical functions required for high performance Bluetooth operation. The BBC manages the buffering, segmentation, and data routing for all connections. It also buffers data that passes through it, handles data flow control, schedules ACL TX/RX transactions, monitors Bluetooth slot usage, optimally segments and packages data into baseband packets, manages connection status indicators, and composes and decodes HCI packets. In addition to these functions, it independently handles HCI event types and HCI command types.

The following transmit and receive functions are also implemented in the BBC hardware to increase TX/RX data reliability and security before sending over the air:

- Receive Functions: symbol timing recovery, data deframing, forward error correction (FEC), header error control (HEC), cyclic redundancy check (CRC), data decryption, and data dewatering.
- Transmit Functions: data framing, FEC generation, HEC generation, CRC generation, link key generation, data encryption, and data whitening.

1.1.1 Frequency Hopping Generator

The frequency hopping sequence generator selects the correct hopping channel number depending on the link controller state, Bluetooth clock, and device address.

1.1.2 E0 Encryption

The encryption key and the encryption engine are implemented using dedicated hardware to reduce software complexity and provide minimal processor intervention.

1.1.3 Link Control Layer

The link control layer is part of the Bluetooth link control functions that are implemented in dedicated logic in the link control unit (LCU). This layer consists of the Command Controller, which takes software commands, and other controllers that are activated or configured by the Command Controller to perform the link control tasks. Each task performs a different Bluetooth link controller state. STANDBY and CONNECTION are the two major states. In addition, there are five substates: page, page scan, inquiry, and inquiry scan.

1.1.4 Adaptive Frequency Hopping

The CYW20732 gathers link quality statistics on a channel-by-channel basis to facilitate channel assessment and channel map selection. The link quality is determined by using both RF and baseband signal processing to provide a more accurate frequency hop map.

1.1.5 Bluetooth Low Energy Profiles

The CYW20732 supports Bluetooth low-energy, including the following profiles that are supported¹ in ROM:

- Battery status
- Blood pressure monitor
- Find me
- Heart rate monitor
- Proximity
- Thermometer
- Weight scale
- Time

The following additional profiles can be supported¹ from RAM:

- Blood glucose monitor
- Temperature alarm
- Location
- Custom profile

1. Full qualification and use of these profiles may require firmware updates from Cypress. Some of these profiles are under development/approval at the Bluetooth SIG and conformity with the final approved version is pending. Contact your supplier for updates and the latest list of profiles.

1.1.6 Test Mode Support

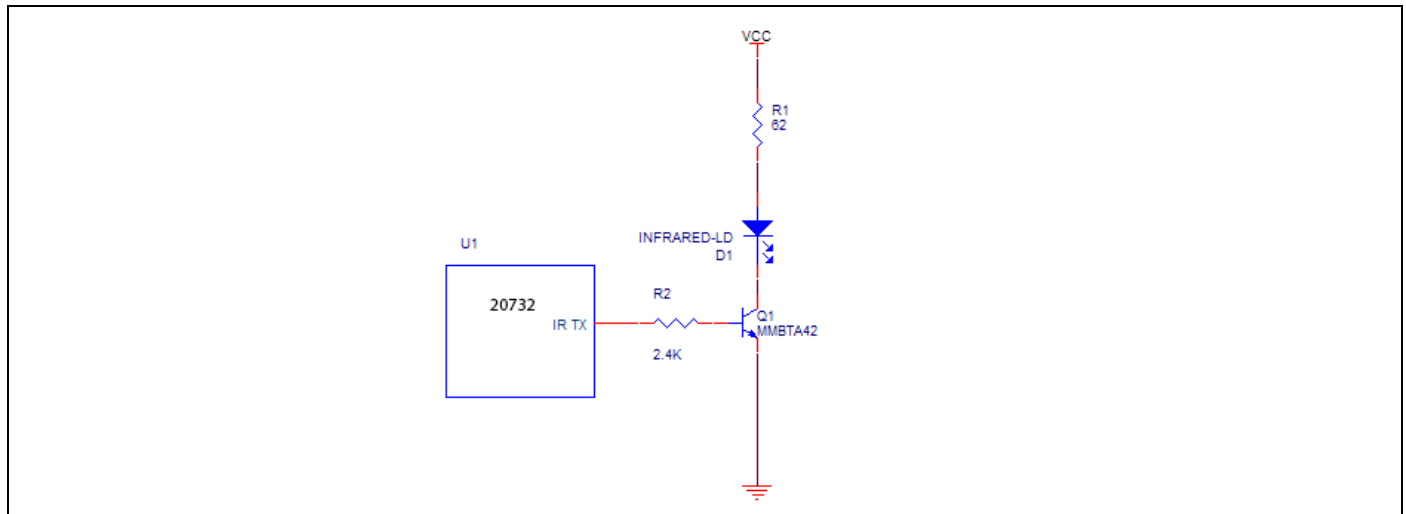
The CYW20732 fully supports Bluetooth Test mode, as described in the Bluetooth low energy specification.

1.2 Infrared Modulator

The CYW20732 includes hardware support for infrared TX. The hardware can transmit both modulated and un-modulated waveforms. For modulated waveforms, hardware inserts the desired carrier frequency into all IR transmissions. IR TX can be sourced from firmware-supplied descriptors, a programmable bit, or the peripheral UART transmitter.

If descriptors are used, they include IR on/off state and the duration between 1 and 32,767 μ sec. The CYW20732 IR TX firmware driver inserts this information in a hardware FIFO and makes sure that all descriptors are played out without a glitch due to under run (see [Figure 2 on page 5](#)).

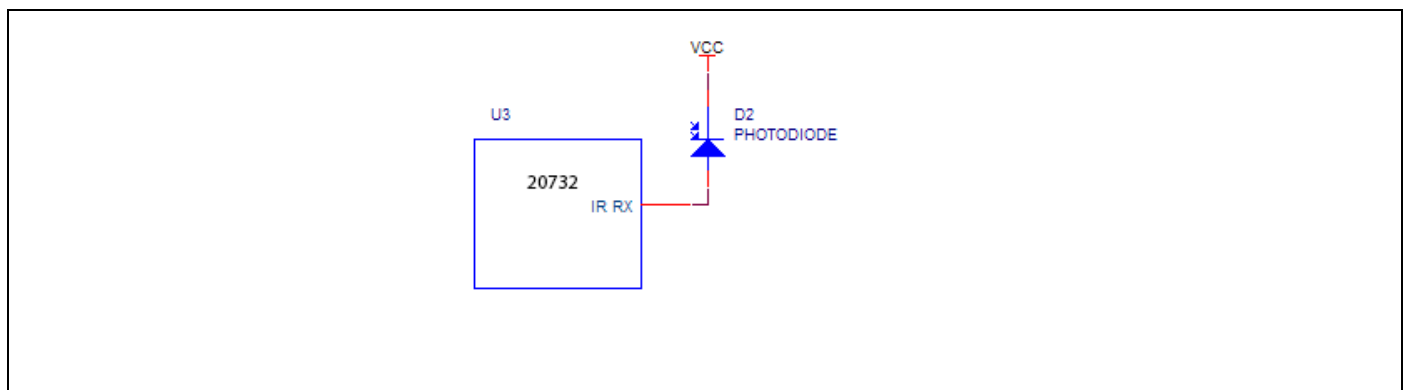
Figure 2. Infrared TX



1.3 Infrared Learning

The CYW20732 includes hardware support for infrared learning. The hardware can detect both modulated and unmodulated signals. For modulated signals, the CYW20732 can detect carrier frequencies between 10 kHz– 500 kHz and the duration that the signal is present or absent. The CYW20732 firmware driver supports further analysis and compression of learned signal. The learned signal can then be played back through the CYW20732 IR TX subsystem (see [Figure 3](#)).

Figure 3. Infrared RX



1.4 ADC Port

The CYW20732 contains a 16-bit ADC (effective number of bits is 10).

Additionally:

- There are nine analog input channels in the 32-pin package
- The following GPIOs can be used as ADC inputs:
 - P0
 - P1
 - P8/P33 (select only one)
 - P11
 - P12
 - P13/P28 (select only one)
 - P14/P38 (select only one)
 - P15
 - P32
- The conversion time is 10 μ s.
- There is a built-in reference with supply- or bandgap-based reference modes.
- The maximum conversion rate is 187 kHz.
- There is a rail-to-rail input swing.

The ADC consists of an analog ADC core that performs the actual analog-to-digital conversion and digital hardware that processes the output of the ADC core into valid ADC output samples. Directed by the firmware, the digital hardware also controls the input multiplexers that select the ADC input signal V_{inp} and the ADC reference signals V_{ref} .

The ADC input range is selectable by firmware control:

- When an input range of 0–3.6V is used, the input impedance is 3 M Ω .
- When an input range of 0–2.4V is used, the input impedance is 1.84 M Ω .
- When an input range of 0–1.2V is used, the input impedance is 680 k Ω .

ADC modes are defined in [Table 2](#).

Table 2. ADC Modes

| Mode | ENOB (Typical) | Maximum Sampling Rate (kHz) | Latency ^a (μ s) |
|------|----------------|-----------------------------|---------------------------------|
| 0 | 13 | 5.859 | 171 |
| 1 | 12.6 | 11.7 | 85 |
| 2 | 12 | 46.875 | 21 |
| 3 | 11.5 | 93.75 | 11 |
| 4 | 10 | 187 | 5 |

a. Settling time after switching channels.

1.5 Serial Peripheral Interface

The CYW20732 has two independent SPI interfaces. One is a master-only interface and the other can be either a master or a slave. Each interface has a 16-byte transmit buffer and a 16-byte receive buffer. To support more flexibility for user applications, the CYW20732 has optional I/O ports that can be configured individually and separately for each functional pin as shown in [Table 3](#), [Table 4](#), and [Table 5](#). The CYW20732 acts as a SPI master device that supports 1.8V or 3.3V SPI slaves. The CYW20732 can also act as an SPI slave device that supports a 1.8V or 3.3V SPI master.

Table 3. CYW20732 First SPI Set (Master Mode)

| Pin Name | SPI_CLK | SPI_MOSI | SPI_MISO | SPI_CS ^a |
|---------------------|---------|----------|----------|---------------------|
| Configured Pin Name | SCL | SDA | P24 | – |
| | – | – | P26 | – |
| | – | – | P32 | – |

a. Any GPIO can be used as SPI_CS when SPI is in master mode.

Table 4. CYW20732 Second SPI Set (Master Mode)

| Pin Name | SPI_CLK | SPI_MOSI | SPI_MISO | SPI_CS ^a |
|---------------------|---------|----------|----------|---------------------|
| Configured Pin Name | P3 | P0 | P1 | – |
| | – | P4 | P25 | – |
| | P24 | P27 | – | – |

a. Any GPIO can be used as SPI_CS when SPI is in master mode.

Table 5. CYW20732 Second SPI Set (Slave Mode)

| Pin Name | SPI_CLK | SPI_MOSI | SPI_MISO | SPI_CS |
|---------------------|---------|----------|----------|--------|
| Configured Pin Name | P3 | P0 | P1 | P2 |
| | – | P27 | – | – |
| | P24 | P33 | P25 | P26 |
| | – | – | – | P32 |

1.6 Microprocessor Unit

The CYW20732 microprocessor unit (μ PU) executes software from the link control (LC) layer up to the application layer components. The microprocessor is based on an ARM Cortex-M3, 32-bit RISC processor with embedded ICE-RT debug and JTAG interface units. The μ PU has 320 KB of ROM for program storage and boot-up, 60 KB of RAM for scratch-pad data, and patch RAM code. The SoC has a total storage of 380 KB, including RAM and ROM.

The internal boot ROM provides power-on reset flexibility, which enables the same device to be used in different HID applications with an external serial EEPROM or with an external serial flash memory. At power-up, the lowest layer of the protocol stack is executed from the internal ROM memory.

External patches may be applied to the ROM-based firmware to provide flexibility for bug fixes and feature additions. The device can also support the integration of user applications.

1.6.1 EEPROM Interface

The CYW20732 provides a Cypress Serial Control (CSC) master interface. BSC is programmed by the CPU to generate four types of bus transfers: read-only, write-only, combined read/write, and combined write/read. BSC supports both low-speed and fast mode devices. BSC is compatible with an NXP I²C slave device, except that master arbitration (multiple I²C masters contending for the bus) is not supported.

The EEPROM can contain customer application configuration information including application code, configuration data, patches, pairing information, BD_ADDR, baud rate, SDP service record, and file system information used for code.

Native support for the Microchip 24LC128, Microchip 24AA128, and the STMicroelectronics M24128-BR is included.

1.6.2 Serial Flash Interface

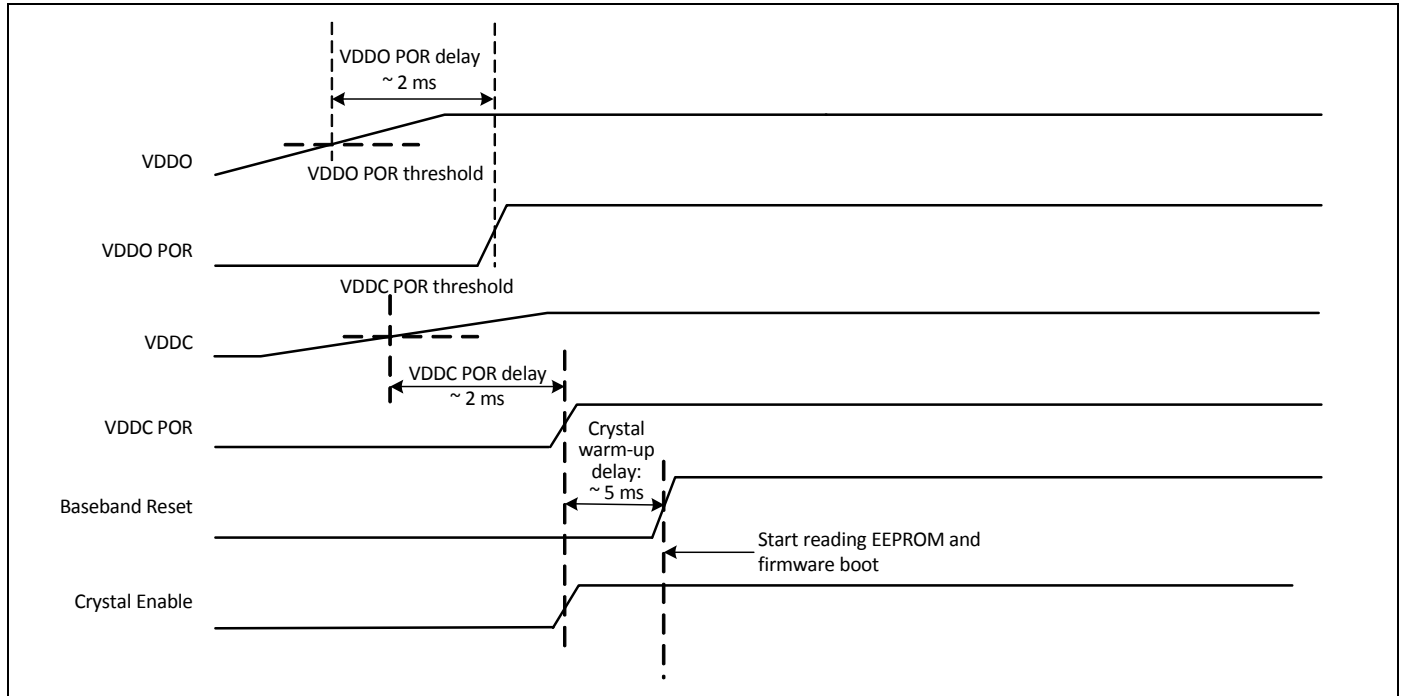
The CYW20732 includes an SPI master controller that can be used to access serial flash memory. The SPI master contains an AHB slave interface, transmit and receive FIFOs, and the SPI core PHY logic.

Devices natively supported include the following:

- Atmel AT25BCM512B
- MXIC MX25V512ZUI-20G

1.6.3 Internal Reset

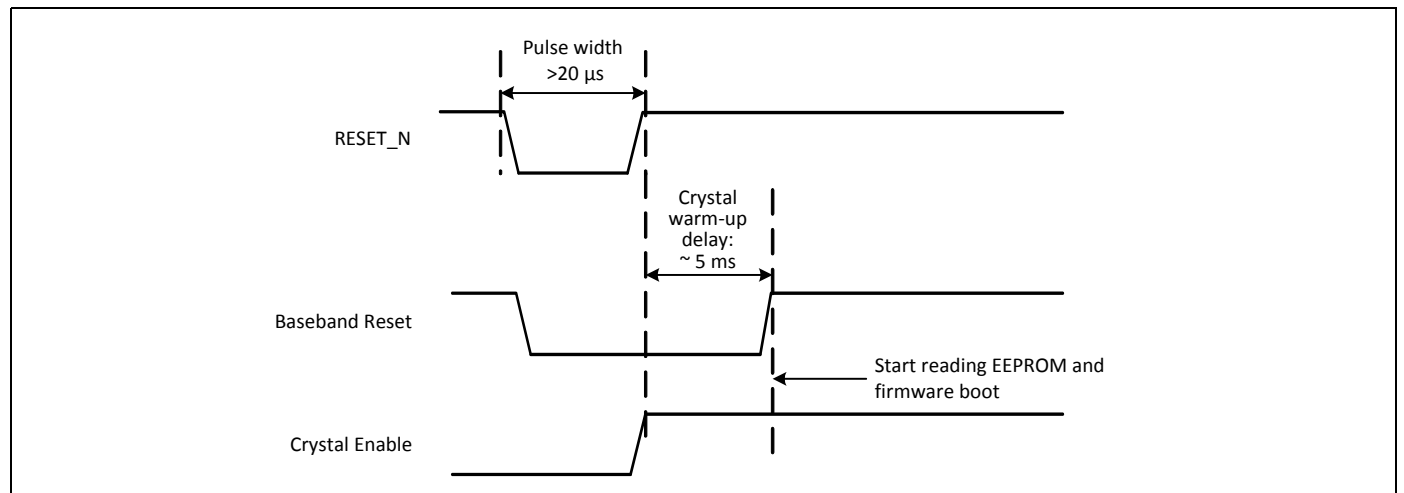
Figure 4. Internal Reset Timing



1.6.4 External Reset

The CYW20732 has an integrated power-on reset circuit that completely resets all circuits to a known power-on state. An external active low reset signal, RESET_N, can be used to put the CYW20732 in the reset state. The RESET_N pin has an internal pull-up resistor and, in most applications, it does not require that anything be connected to it. RESET_N should only be released after the VDDO supply voltage level has been stabilized.

Figure 5. External Reset Timing



1.7 Integrated Radio Transceiver

The CYW20732 has an integrated radio transceiver that is optimized for 2.4 GHz Bluetooth wireless systems. It has been designed to provide low power, low cost, and robust communications for applications operating in the globally available 2.4 GHz unlicensed ISM band. It is fully compliant with Bluetooth Radio Specification 4.0 and meets or exceeds the requirements to provide the highest communication link quality of service.

1.7.1 Transmitter Path

The CYW20732 features a fully integrated transmitter. The baseband transmit data is GFSK modulated in the 2.4 GHz ISM band.

1.7.2 Digital Modulator

The digital modulator performs the data modulation and filtering required for the GFSK signal. The fully digital modulator minimizes any frequency drift or anomalies in the modulation characteristics of the transmitted signal.

1.7.3 Power Amplifier

The CYW20732 has an integrated power amplifier (PA) that can transmit up to +4 dBm for class 2 operation.

1.7.4 Receiver Path

The receiver path uses a low IF scheme to downconvert the received signal for demodulation in the digital demodulator and bit synchronizer. The receiver path provides a high degree of linearity, an extended dynamic range, and high-order, on-chip channel filtering to ensure reliable operation in the noisy 2.4 GHz ISM band. The front-end topology, which has built-in out-of-band attenuation, enables the CYW20732 to be used in most applications without off-chip filtering.

1.7.5 Digital Demodulator and Bit Synchronizer

The digital demodulator and bit synchronizer take the low-IF received signal and perform an optimal frequency tracking and bit synchronization algorithm.

1.7.6 Receiver Signal Strength Indicator

The radio portion of the CYW20732 provides a receiver signal strength indicator (RSSI) to the baseband. This enables the controller to take part in a Bluetooth power-controlled link by providing a metric of its own receiver signal strength to determine whether the transmitter should increase or decrease its output power.

1.7.7 Local Oscillator

The local oscillator (LO) provides fast frequency hopping (1600 hops/second) across the 79 maximum available channels. The CYW20732 uses an internal loop filter.

1.7.8 Calibration

The CYW20732 radio transceiver features a self-contained automated calibration scheme. No user interaction is required during normal operation or during manufacturing to provide optimal performance. Calibration compensates for filter, matching network, and amplifier gain and phase characteristics to yield radio performance within 2% of what is optimal. Calibration takes process and temperature variations into account, and it takes place transparently during normal operation and hop setting times.

1.7.9 Internal LDO Regulator

The CYW20732 has an integrated 1.2V LDO regulator that provides power to the digital and RF circuits. The 1.2V LDO regulator operates from a 1.425V to 3.63V input supply with a 30 mA maximum load current.

Note: Always place the decoupling capacitors near the pins as closely together as possible.

1.8 Peripheral Transport Unit

1.8.1 Cypress Serial Communications Interface

The CYW20732 provides a 2-pin master BSC interface, which can be used to retrieve configuration information from an external EEPROM or to communicate with peripherals such as track-ball or touch-pad modules, and motion tracking ICs used in mouse devices. The BSC interface is compatible with I²C slave devices. The BSC does not support multimaster capability or flexible wait-state insertion by either master or slave devices.

The following transfer clock rates are supported by the BSC:

- 100 kHz
- 400 kHz
- 800 kHz (not a standard I²C-compatible speed.)

- 1 MHz (Compatibility with high-speed I²C-compatible devices is not guaranteed.)

The following transfer types are supported by the BSC:

- Read (Up to 16 bytes can be read.)
- Write (Up to 16 bytes can be written.)
- Read-then-Write (Up to 16 bytes can be read and up to 16 bytes can be written.)
- Write-then-Read (Up to 16 bytes can be written and up to 16 bytes can be read.)

Hardware controls the transfers, requiring minimal firmware setup and supervision.

The clock pin (SCL) and data pin (SDA) are both open-drain I/O pins. Pull-up resistors external to the CYW20732 are required on both the SCL and SDA pins for proper operation.

1.8.2 UART Interface

The UART is a standard 2-wire interface (RX and TX) and has adjustable baud rates from 9600 bps to 115.2 Kbaud. The baud rate can be selected via a vendor-specific UART HCI command. The interface supports the Bluetooth 3.0 UART HCI (H4) specification. The default baud rate for H4 is 115.2 Kbaud.

Both high and low baud rates can be supported by running the UART clock at 24 MHz.

The CYW20732 UART operates correctly with the host UART as long as the combined baud rate error of the two devices is within ±5 percent

1.9 Clock Frequencies

The CYW20732 is set with a crystal frequency of 24 MHz.

1.9.1 Crystal Oscillator

The crystal oscillator requires a crystal with an accuracy of ±20 ppm as defined by the Bluetooth specification. Two external load capacitors in the range of 5 pF to 30 pF (see [Figure 6](#)) are required to work with the crystal oscillator. The selection of the load capacitors is crystal-dependent.

Figure 6. Recommended Oscillator Configuration—12 pF Load Crystal

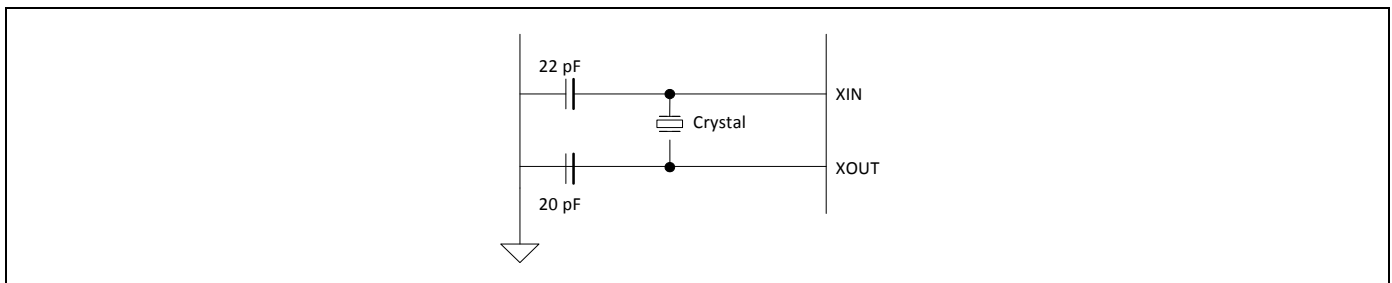


Table 6 shows the recommended crystal specifications.

Table 6. Reference Crystal Electrical Specifications

| Parameter | Conditions | Minimum | Typical | Maximum | Unit |
|-------------------------------|---------------|-------------|---------|---------|----------|
| Nominal frequency | – | – | 24.000 | – | MHz |
| Oscillation mode | – | Fundamental | | | – |
| Frequency tolerance | @25°C | – | ±10 | – | ppm |
| Tolerance stability over temp | @0°C to +70°C | – | ±10 | – | ppm |
| Equivalent series resistance | – | – | – | 60 | Ω |
| Load capacitance | – | – | 12 | – | pF |
| Operating temperature range | – | 0 | – | +70 | °C |
| Storage temperature range | – | –40 | – | +125 | °C |
| Drive level | – | – | – | 200 | μW |
| Aging | – | – | – | ±10 | ppm/year |
| Shunt capacitance | – | – | – | 2 | pF |

1.9.2 Peripheral Block

The CYW20732 peripheral blocks all run from a single 128 kHz low-power RC oscillator. The oscillator can be turned on at the request of any of the peripherals. If the peripheral is not enabled, it shall not assert its clock request line.

The keyboard scanner is a special case, in that it may drop its clock request line even when enabled, and then reassert the clock request line if a keypress is detected.

1.9.3 32 kHz Crystal Oscillator

Figure 7 shows the 32 kHz crystal (XTAL) oscillator with external components and Table 7 on page 11 lists the oscillator’s characteristics. It is a standard Pierce oscillator using a comparator with hysteresis on the output to create a single-ended digital output. The hysteresis was added to eliminate any chatter when the input is around the threshold of the comparator and is ~100 mV. This circuit can be operated with a 32 kHz or 32.768 kHz crystal oscillator or be driven with a clock input at similar frequency. The default component values are: R1 = 10 MΩ, C1 = C2 = ~10 pF. The values of C1 and C2 are used to fine-tune the oscillator.

Figure 7. 32 kHz Oscillator Block Diagram

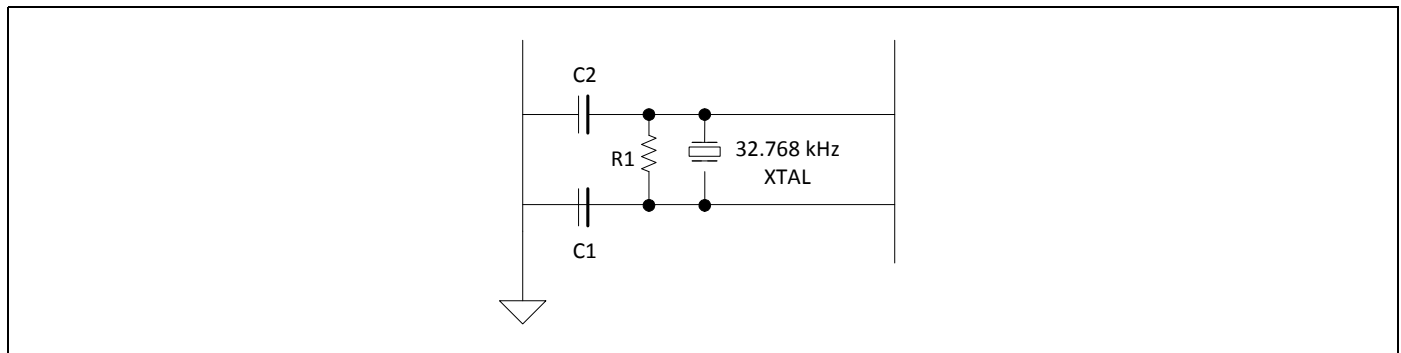


Table 7. XTAL Oscillator Characteristics

| Parameter | Symbol | Conditions | Minimum | Typical | Maximum | Unit |
|---------------------|----------------------|-----------------------|---------|---------|---------|------|
| Output frequency | F _{oscout} | – | – | 32.768 | – | kHz |
| Frequency tolerance | – | Crystal dependent | – | 100 | – | ppm |
| Start-up time | T _{startup} | – | – | – | 500 | ms |
| XTAL drive level | P _{drv} | For crystal selection | 0.5 | – | – | μW |

Table 7. XTAL Oscillator Characteristics (Cont.)

| Parameter | Symbol | Conditions | Minimum | Typical | Maximum | Unit |
|------------------------|--------------|-----------------------|---------|---------|---------|-----------|
| XTAL series resistance | R_{series} | For crystal selection | – | – | 70 | $k\Omega$ |
| XTAL shunt capacitance | C_{shunt} | For crystal selection | – | – | 1.3 | pF |

1.10 GPIO Port

The CYW20732 has 14 general-purpose I/Os (GPIOs) in the 32-pin package. All GPIOs support programmable pull-up and pull-down resistors, and all support a 2 mA drive strength except P26, P27, and P28, which provide a 16 mA drive strength at 3.3V supply.

The following GPIOs are available:

- P0–P4
- P8/P33 (Dual bonded, only one of two is available.)
- P11/P27 (Dual bonded, only one of two is available.)
- P12/P26 (Dual bonded, only one of two is available.)
- P13/P28 (Dual bonded, only one of two is available.)
- P14/P38 (Dual bonded, only one of two is available.)
- P15
- P24
- P25
- P32

For a description of all GPIOs, see [Table 9 on page 16](#).

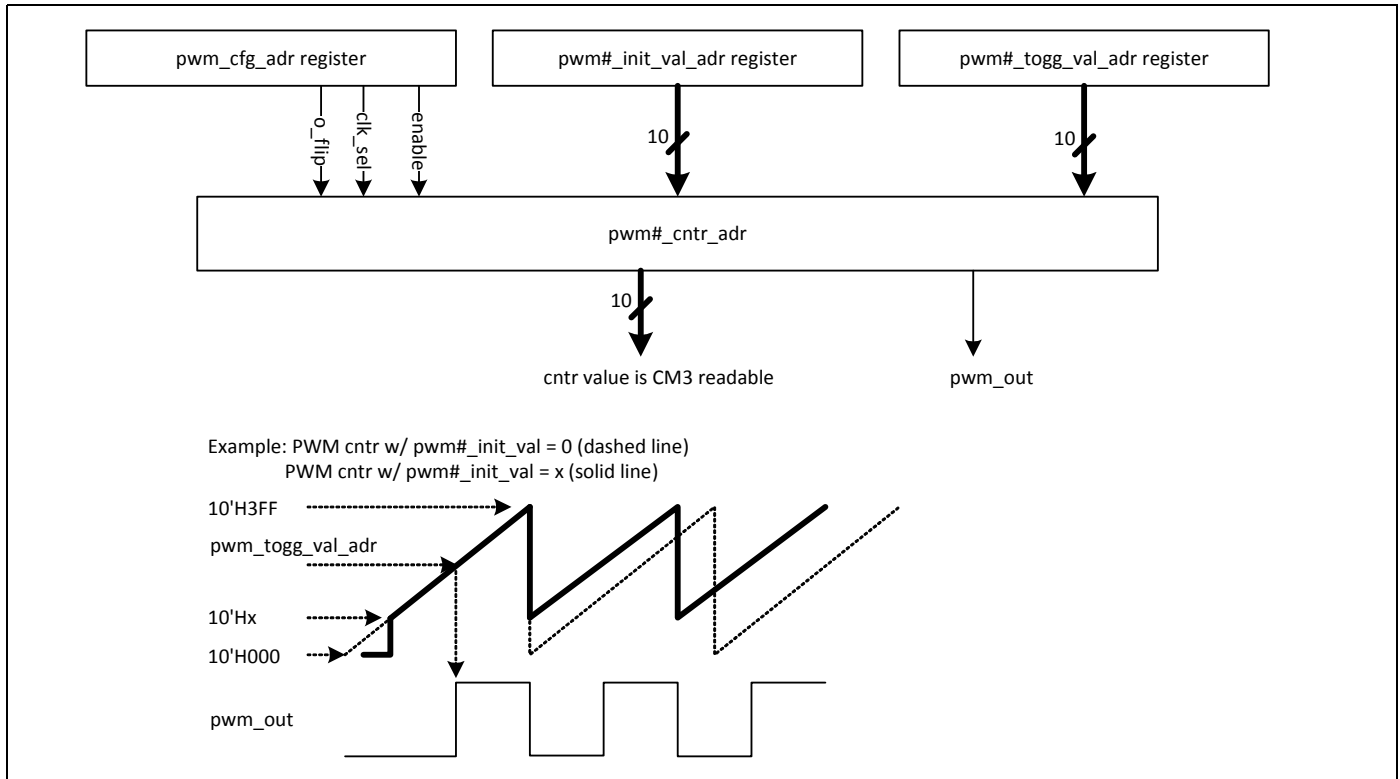
1.11 PWM

The CYW20732 has four internal PWM channels. The PWM module is described as follows:

- PWM0–3
- The following GPIOs can be mapped as PWMs:
 - P26
 - P27
 - P14/P28 (Dual bonded, only one of two is available.)
 - P13
- Each of the PWM channels, PWM0–3, contains the following registers:
 - 10-bit initial value register (read/write)
 - 10-bit toggle register (read/write)
 - 10-bit PWM counter value register (read)
- The PWM configuration register is shared among PWM0–3 (read/write). The 12-bit register is used:
 - To configure each PWM channel.
 - To select the clock of each PWM channel.
 - To change the phase of each PWM channel.

[Figure 8](#) shows the structure of one PWM channel.

Figure 8. PWM Channel Block Diagram



1.12 Power Management Unit

The power management unit (PMU) provides power management features that can be invoked by software through power management registers or packet-handling in the baseband core.

1.12.1 RF Power Management

The BBC generates power-down control signals for the transmit path, receive path, PLL, and power amplifier to the 2.4 GHz transceiver, which then processes the power-down functions accordingly.

1.12.2 Host Controller Power Management

Power is automatically managed by the firmware based on input device activity. As a power-saving task, the firmware controls the disabling of the on-chip regulator when in deep sleep mode.

1.12.3 BBC Power Management

There are several low-power operations for the BBC:

- Physical layer packet handling turns RF on and off dynamically within packet TX and RX.
- Bluetooth-specified low-power connection mode. While in these low-power connection modes, the CYW20732 runs on the low power oscillator (LPO) and wakes up after a predefined time period.

The CYW20732 automatically adjusts its power dissipation based on user activity. The following power modes are supported:

- Active mode
- Idle mode
- Sleep mode
- HIDEOFF (Deep Sleep) mode

The CYW20732 transitions to the next lower state after a programmable period of user inactivity. Busy mode is immediately entered when user activity resumes.

In HIDEOFF (Deep Sleep) mode, the CYW20732 baseband and core are powered off by disabling power to LDOOUT. The VDDO domain remains powered up and will turn the remainder of the chip on when it detects user events. This mode minimizes chip power consumption and is intended for long periods of inactivity.

2. Pin Assignments

2.1 Pin Descriptions

Table 8. Pin Descriptions

| Pin Number | Pin Name | I/O | Power Domain | Description |
|--|----------|--------|--------------|--|
| Radio I/O | | | | |
| 6 | RF | I/O | VDD_RF | RF antenna port |
| RF Power Supplies | | | | |
| 4 | VDDIF | I | VDD_RF | IFPLL power supply |
| 5 | VDDFE | I | VDD_RF | RF front-end supply |
| 7 | VDDVCO | I | VDD_RF | VCO, LOGEN supply |
| 8 | VDDPLL | I | VDD_RF | RFPLL and crystal oscillator supply |
| Power Supplies | | | | |
| 11 | VDDC | I | VDDC | Baseband core supply |
| 28 | VDDO | I | VDDO | I/O pad and core supply |
| 14 | VDDM | I | VDDM | I/O pad supply |
| Clock Generator and Crystal Interface | | | | |
| 9 | XTALI | I | VDD_RF | Crystal oscillator input. See page 10 for options. |
| 10 | XTALO | O | VDD_RF | Crystal oscillator output. |
| 1 | XTALI32K | I | VDDO | LPO input is used. Alternative Function: <ul style="list-style-type: none"> ■ P11 ■ P27 |
| 32 | XTALO32K | O | VDDO | LPO output. Alternative Function: <ul style="list-style-type: none"> ■ P12 ■ P26 |
| Core | | | | |
| 18 | RESET_N | I/O PU | VDDO | Active-low system reset with open-drain output & internal pull-up resistor |
| 17 | TMC | I | VDDO | Test mode control High: test mode Connect to GND if not used. |
| UART | | | | |
| 12 | UART_RXD | I | VDDM | UART serial input – Serial data input for the HCI UART interface. Leave unconnected if not used. Alternative function: <ul style="list-style-type: none"> ■ GPIO3 |
| 13 | UART_TXD | O, PU | VDDM | UART serial output – Serial data output for the HCI UART interface. Leave unconnected if not used. Alternative Function: <ul style="list-style-type: none"> ■ GPIO2 |
| BSC | | | | |

Table 8. Pin Descriptions (Cont.)

| Pin Number | Pin Name | I/O | Power Domain | Description |
|-------------------------------------|----------|---------|--------------|--|
| 15 | SDA | I/O, PU | VDDM | Data signal for an external I ² C device. Alternative function: <ul style="list-style-type: none"> ■ SPI_1: MOSI (master only) ■ GPIO0 ■ CTS |
| 16 | SCL | I/O, PU | VDDM | Clock signal for an external I ² C device. Alternative function: <ul style="list-style-type: none"> ■ SPI_1: SPI_CLK (master only) ■ GPIO1 ■ RTS |
| LDO Regulator Power Supplies | | | | |
| 2 | LDOIN | I | N/A | Battery input supply for the LDO |
| 3 | LDOOUT | O | N/A | LDO output |

Table 9. GPIO Pin Descriptions^a

| Pin Number | Pin Name | Default Direction | After POR State | Power Domain | Alternate Function Description |
|------------|----------|-------------------|-----------------|--------------|--|
| 19 | P0 | Input | Input floating | VDDO | <ul style="list-style-type: none"> ■ GPIO: P0 ■ A/D converter input ■ Peripheral UART: puart_tx ■ SPI_2: MOSI (master and slave) ■ IR_RX ■ 60Hz_main ■ Not available during TMC=1 |
| 20 | P1 | Input | Input floating | VDDO | <ul style="list-style-type: none"> ■ GPIO: P1 ■ A/D converter input ■ Peripheral UART: puart_rts ■ SPI_2: MISO (master and slave) ■ IR_TX |
| 21 | P3 | Input | Input floating | VDDO | <ul style="list-style-type: none"> ■ GPIO: P3 ■ Peripheral UART: puart_cts ■ SPI_2: SPI_CLK (master and slave) |
| 22 | P2 | Input | Input floating | VDDO | <ul style="list-style-type: none"> ■ GPIO: P2 ■ Peripheral UART: puart_rx ■ SPI_2: SPI_CS (slave only) ■ SPI_2: SPI_MOSI (master only) |

Table 9. GPIO Pin Descriptions^a (Cont.)

| Pin Number | Pin Name | Default Direction | After POR State | Power Domain | Alternate Function Description |
|------------|-------------|-------------------|-----------------|--------------|--|
| 23 | P4 | Input | Input floating | VDDO | <ul style="list-style-type: none"> ■ GPIO: P4 ■ Peripheral UART: puart_rx ■ SPI_2: MOSI (master and slave) ■ IR_TX |
| 24 | P8 | Input | Input floating | VDDO | <ul style="list-style-type: none"> ■ GPIO: P8 ■ A/D converter input ■ External T/R switch control: ~tx_pd |
| | P33 | Input | Input floating | VDDO | <ul style="list-style-type: none"> ■ GPIO: P33 ■ A/D converter input ■ SPI_2: MOSI (slave only) ■ Auxiliary clock output: ACLK1 ■ Peripheral UART: puart_rx |
| 1 | P11 | Input | Input floating | VDDO | <ul style="list-style-type: none"> ■ GPIO: P11 ■ A/D converter input ■ XTALI32K |
| | P27 PWM1 | Input | Input floating | VDDO | <ul style="list-style-type: none"> ■ GPIO: P27 ■ SPI_2: MOSI (master and slave) ■ Current: 16 mA |
| 32 | P12 | Input | Input floating | VDDO | <ul style="list-style-type: none"> ■ GPIO: P12 ■ A/D converter input ■ XTALO32K |
| | P26 PWM0 | Input | Input floating | VDDO | <ul style="list-style-type: none"> ■ GPIO: P26 ■ SPI_2: SPI_CS (slave only) ■ SPI_1: MISO (master only) ■ Current: 16 mA |
| 29 | P13 PWM3 | Input | Input floating | VDDO | <ul style="list-style-type: none"> ■ GPIO: P13 ■ A/D converter input |
| | P28 PWM2 | Input | Input floating | VDDO | <ul style="list-style-type: none"> ■ GPIO: P28 ■ A/D converter input ■ LED1 ■ IR_TX ■ Current: 16 mA |

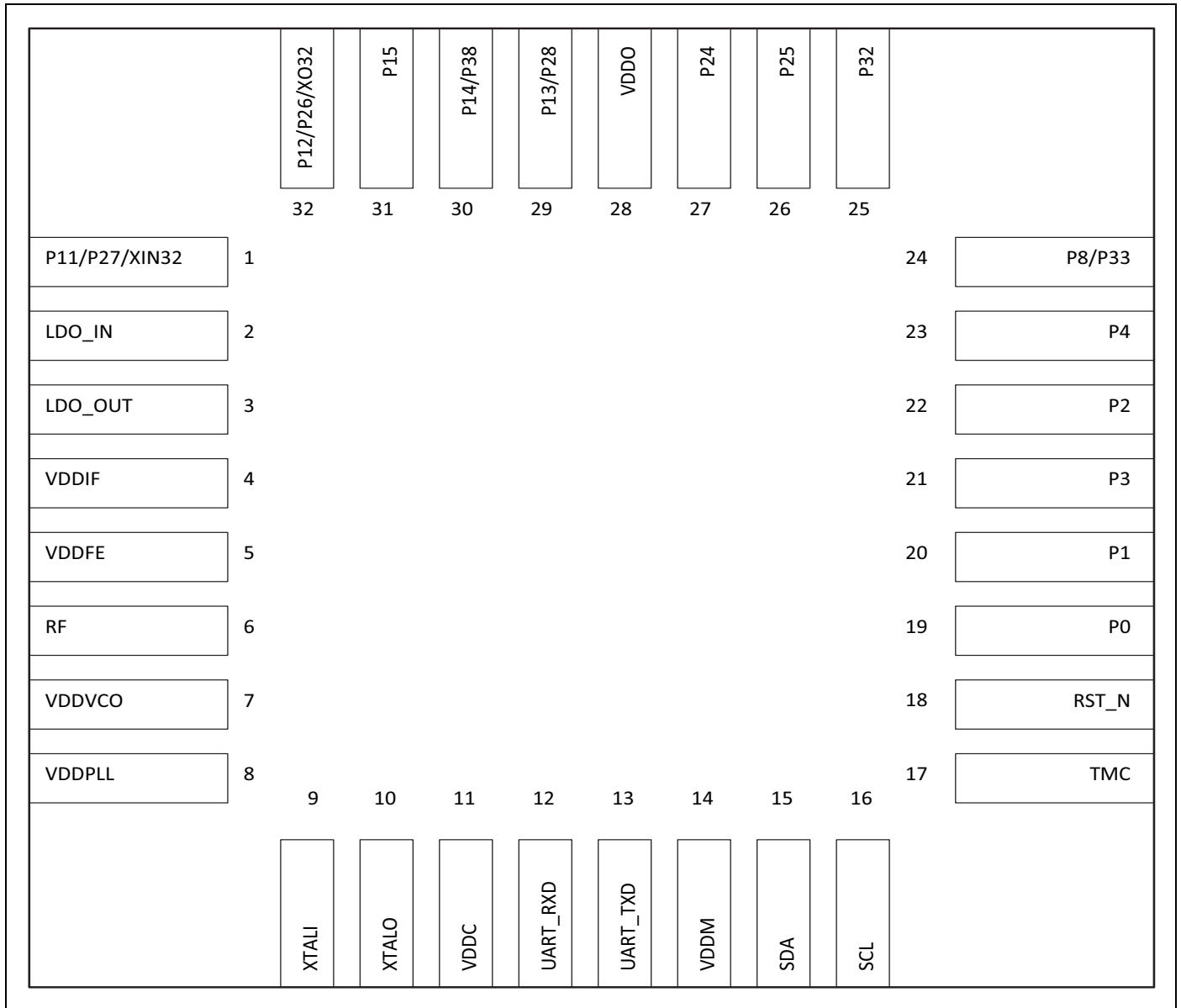
Table 9. GPIO Pin Descriptions^a (Cont.)

| Pin Number | Pin Name | Default Direction | After POR State | Power Domain | Alternate Function Description |
|------------|-------------|-------------------|-----------------|--------------|---|
| 30 | P14 PWM2 | Input | Input floating | VDDO | <ul style="list-style-type: none"> ■ GPIO: P14 ■ A/D converter input |
| | P38 | Input | Input floating | VDDO | <ul style="list-style-type: none"> ■ GPIO: P38 ■ A/D converter input ■ SPI_2: MOSI (master and slave) ■ IR_TX |
| 31 | P15 | Input | Input floating | VDDO | <ul style="list-style-type: none"> ■ GPIO: P15 ■ A/D converter input ■ IR_RX ■ 60 Hz_main |
| 27 | P24 | Input | Input floating | VDDO | <ul style="list-style-type: none"> ■ GPIO: P24 ■ SPI_2: SPI_CLK (master and slave) ■ SPI_1: MISO (master only) ■ Peripheral UART: puart_tx |
| 26 | P25 | Input | Input floating | VDDO | <ul style="list-style-type: none"> ■ GPIO: P25 ■ SPI_2: MISO (master and slave) ■ Peripheral UART: puart_rx |
| 25 | P32 | Input | Input floating | VDDO | <ul style="list-style-type: none"> ■ GPIO: P32 ■ A/D converter input ■ SPI_2: SPI_CS (slave only) ■ SPI_1: MISO (master only) ■ Auxiliary clock output: ACLK0 ■ Peripheral UART: puart_tx |

a. During power-on reset, all inputs are disabled.

2.2 Ball Maps

Figure 9. 32-pin QFN Ball Map



3. Specifications

3.1 Electrical Characteristics

Table 10 shows the maximum electrical rating for voltages referenced to VDD pin.

Table 10. Maximum Electrical Rating

| Rating | Symbol | Value | Unit |
|---|------------------|--|------|
| DC supply voltage for RF domain | – | 1.4 | V |
| DC supply voltage for core domain | – | 1.4 | V |
| DC supply voltage for VDDM domain (UART/I ² C) | – | 3.8 | V |
| DC supply voltage for VDDO domain | – | 3.8 | V |
| DC supply voltage for VR3V | – | 3.8 | V |
| DC supply voltage for VDDFE | – | 1.4 | V |
| Voltage on input or output pin | – | V _{SS} – 0.3 to V _{DD} + 0.3 | V |
| Operating ambient temperature range | T _{opr} | –30 to +85 | °C |
| Storage temperature range | T _{stg} | –40 to +125 | °C |

Table 11 shows the power supply characteristics for the range T_J = 0 to 125°C.

Table 11. Power Supply

| Parameter | Minimum ^a | Typical | Maximum ^a | Unit |
|--|----------------------|------------------|----------------------|------|
| DC supply voltage for RF | 1.14 | 1.2 | 1.26 | V |
| DC supply voltage for Core | 1.14 | 1.2 | 1.26 | V |
| DC supply voltage for VDDM (UART/I ² C) | 1.62 | – | 3.63 | V |
| DC supply voltage for VDDO | 1.62 | – | 3.63 | V |
| DC supply voltage for LDOIN | 1.425 | – | 3.63 | V |
| DC supply voltage for VDDFE | 1.14 | 1.2 ^b | 1.26 | V |

a. Overall performance degrades beyond minimum and maximum supply voltages.

b. 1.2V for Class 2 output with internal VREG.

Table 12 shows the digital level characteristics for (VSS = 0V).

Table 12. LDO Regulator Electrical Specifications

| Parameter | Conditions | Min. | Typ. | Max. | Unit |
|------------------------|--|-------|----------|------|---------------------|
| Input voltage range | – | 1.425 | – | 3.63 | V |
| Default output voltage | – | – | 1.2 | – | V |
| Output voltage | Range | 0.8 | – | 1.4 | V |
| | Step size | – | 40 or 80 | – | mV |
| | Accuracy at any step | –5 | – | +5 | % |
| Load current | – | – | – | 30 | mA |
| Line regulation | V _{in} from 1.425 to 3.63V, I _{load} = 30 mA | –0.2 | – | 0.2 | %V _O /V |
| Load regulation | I _{load} from 1 μA to 30 mA, V _{in} = 3.3V, Bonding R = 0.3Ω | – | 0.1 | 0.2 | %V _O /mA |
| Quiescent current | No load @V _{in} = 3.3V *Current limit enabled | – | 6 | – | μA |
| Power-down current | V _{in} = 3.3V, worst@70°C | – | 5 | 200 | nA |

Table 13 shows the specifications for the ADC characteristics.

Table 13. ADC Specifications

| Parameter | Symbol | Conditions | Min. | Typ. | Max. | Unit |
|--|----------------------|---|-------|-----------------------|--------|------------------|
| Number of Input channels | – | – | – | 9 | – | – |
| Channel switching rate | f _{ch} | – | – | – | 133.33 | kch/s |
| Input signal range | V _{inp} | – | 0 | – | 3.63 | V |
| Reference settling time | – | Changing refsel | 7.5 | – | – | μs |
| Input resistance | R _{inp} | Effective, single ended | – | 500 | – | kΩ |
| Input capacitance | C _{inp} | – | – | – | 5 | pF |
| Conversion rate | f _C | – | 5.859 | – | 187 | kHz |
| Conversion time | T _C | – | 5.35 | – | 170.7 | μs |
| Resolution | R | – | – | 16 | – | bits |
| Effective number of bits | – | In specified performance range | – | See Table 2 on page 6 | – | – |
| Absolute voltage measurement error | – | Using on-chip ADC firmware driver | – | ±2 | – | % |
| Current | I | I _{avdd1p2} + I _{avdd3p3} | – | – | 1 | mA |
| Power | P | – | – | 1.5 | – | mW |
| Leakage current | I _{leakage} | T = 25°C | – | – | 100 | nA |
| Power-up time | T _{powerup} | – | – | – | 200 | μs |
| Integral nonlinearity ³ | INL | In guaranteed performance range | –1 | – | 1 | LSB ^a |
| Differential nonlinearity ^a | DNL | In guaranteed performance range | –1 | – | 1 | LSB ^a |

a. LSBs are expressed at the 10-bit level.

Table 14 shows the specifications for the digital voltage levels.

Table 14. Digital Levels^a

| Characteristics | Symbol | Min | Typ | Max | Unit |
|-----------------------------------|----------|-----------------------|------|-----|------|
| Input low voltage | V_{IL} | – | – | 0.4 | V |
| Input high voltage | V_{IH} | $0.75 \times V_{DDO}$ | – | – | V |
| Input low voltage (VDDO = 1.62V) | V_{IL} | – | – | 0.4 | V |
| Input high voltage (VDDO = 1.62V) | V_{IH} | 1.2 | – | – | V |
| Output low voltage ^b | V_{OL} | – | – | 0.4 | V |
| Output high voltage ^b | V_{OH} | $V_{DDO} - 0.4$ | – | – | V |
| Input capacitance (VDDMEM domain) | C_{IN} | – | 0.12 | – | pF |

a. This table is also applicable to VDDMEM domain.

b. At the specified drive current for the pad.

Table 15 shows the specifications for current consumption.

Table 15. Current Consumption^a

| Operational Mode | Conditions | Min | Typ | Max | Unit |
|------------------|---|-----|------|-----|------|
| Receive | Receiver and baseband are both operating, 100% ON. | – | 9.8 | – | mA |
| Transmit | Transmitter and baseband are both operating, 100% ON. | – | 9.1 | – | mA |
| Sleep | Internal LPO is in use. | – | 12.0 | – | μA |
| | – | – | 0.65 | – | |

a. Currents measured between power terminals (Vdd) using 90% efficient DC-DC converter at 3V.

3.2 RF Specifications

Table 16. Receiver RF Specifications

| Parameter | Mode and Conditions | Min | Typ | Max | Unit |
|--|---------------------------------------|------|-------|-------|------|
| Receiver Section^a | | | | | |
| Frequency range | – | 2402 | – | 2480 | MHz |
| RX sensitivity (standard) | 0.1%BER, 1Mbps, dirty transmitter OFF | – | –93 | – | dBm |
| RX sensitivity (low current) | | – | –90 | – | dBm |
| Input IP3 | – | –16 | – | – | dBm |
| Maximum input | – | –10 | – | – | dBm |
| Interference Performance^{a,b} | | | | | |
| C/I cochannel | 0.1%BER | – | – | 21 | dB |
| C/I 1 MHz adjacent channel | 0.1%BER | – | – | 15 | dB |
| C/I 2 MHz adjacent channel | 0.1%BER | – | – | –17 | dB |
| C/I ≥ 3 MHz adjacent channel | 0.1%BER | – | – | –27 | dB |
| C/I image channel | 0.1%BER | – | – | –9.0 | dB |
| C/I 1 MHz adjacent to image channel | 0.1%BER | – | – | –15 | dB |
| Out-of-Band Blocking Performance (CW)^{a,b} | | | | | |
| 30 MHz to 2000 MHz | 0.1%BER ^c | – | –30.0 | – | dBm |
| 2003 MHz to 2399 MHz | 0.1%BER ^d | – | –35 | – | dBm |
| 2484 MHz to 2997 MHz | 0.1%BER ^d | – | –35 | – | dBm |
| 3000 MHz to 12.75 GHz | 0.1%BER ^e | – | –30.0 | – | dBm |
| Spurious Emissions | | | | | |
| 30 MHz to 1 GHz | – | – | – | –57.0 | dBm |
| 1 GHz to 12.75 GHz | – | – | – | –55.0 | dBm |

- a. 30.8% PER.
- b. Desired signal is 3 dB above the reference sensitivity level (defined as –70 dBm).
- c. Measurement resolution is 10 MHz.
- d. Measurement resolution is 3 MHz.
- e. Measurement resolution is 25 MHz.

Table 17. Transmitter RF Specifications

| Parameter | Minimum | Typical | Maximum | Unit |
|---|---------|---------|---------|----------------|
| Transmitter Section | | | | |
| Frequency range | 2402 | – | 2480 | MHz |
| Output power adjustment range | –20 | – | 4 | dBm |
| Default output power | – | 4.0 | – | dBm |
| Output power variation | – | 2.0 | – | dB |
| Adjacent Channel Power | | | | |
| $ M - N = 2$ | – | – | –20 | dBm |
| $ M - N \geq 3$ | – | – | –30 | dBm |
| Out-of-Band Spurious Emission | | | | |
| 30 MHz to 1 GHz | – | – | –36.0 | dBm |
| 1 GHz to 12.75 GHz | – | – | –30.0 | dBm |
| 1.8 GHz to 1.9 GHz | – | – | –47.0 | dBm |
| 5.15 GHz to 5.3 GHz | – | – | –47.0 | dBm |
| LO Performance | | | | |
| Initial carrier frequency tolerance | – | – | ±150 | kHz |
| Frequency Drift | | | | |
| Frequency drift | – | – | ±50 | kHz |
| Drift rate | – | – | 20 | kHz/50 μ s |
| Frequency Deviation | | | | |
| Average deviation in payload (sequence used is 00001111) | 225 | – | 275 | kHz |
| Maximum deviation in payload (sequence used is 10101010) | 185 | – | – | kHz |
| Channel spacing | – | 2 | – | MHz |

3.3 Timing and AC Characteristics

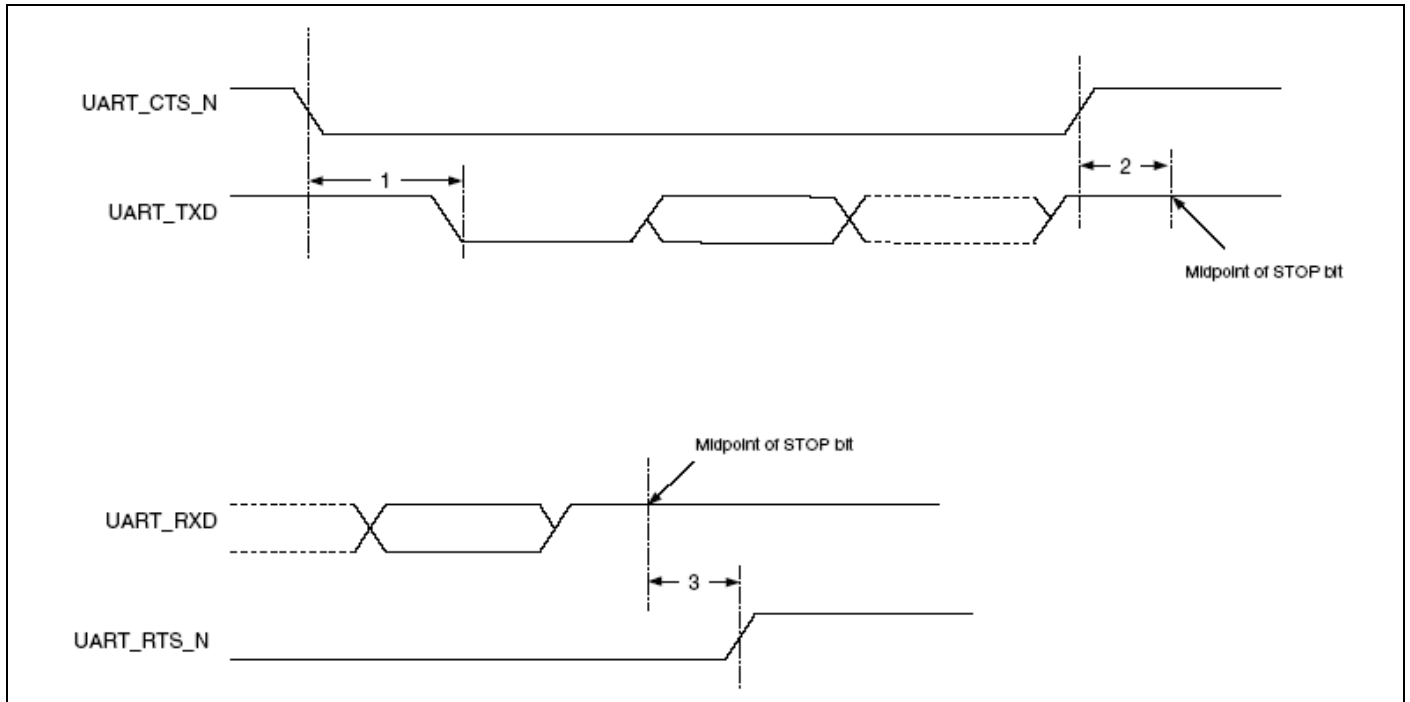
In this section, use the numbers listed in the **Reference** column of each table to interpret the following timing diagrams.

3.3.1 UART Timing

Table 18. UART Timing Specifications

| Reference | Characteristics | Min | Max | Unit |
|-----------|---|-----|-----|-----------------|
| 1 | Delay time, UART_CTS_N low to UART_TXD valid | – | 24 | Baud out cycles |
| 2 | Setup time, UART_CTS_N high before midpoint of stop bit | – | 10 | ns |
| 3 | Delay time, midpoint of stop bit to UART_RTS_N high | – | 2 | Baud out cycles |

Figure 10. UART Timing



3.3.2 SPI Timing

The SPI interface supports clock speeds up to 12 MHz with VDDIO ≥ 2.2V. The supported clock speed is 6 MHz when 2.2V > VDDIO ≥ 1.62V.

Table 19. SPI Interface Timing Specifications

| Reference | Characteristics | Min | Typ | Max |
|-----------|---|-------|--------|-----|
| 1 | Time from CSN asserted to first clock edge | 1 SCK | 100 | ∞ |
| 2 | Master setup time | – | ½ SCK | – |
| 3 | Master hold time | ½ SCK | – | – |
| 4 | Slave setup time | – | ½ SCK | – |
| 5 | Slave hold time | ½ SCK | – | – |
| 6 | Time from last clock edge to CSN deasserted | 1 SCK | 10 SCK | 100 |

Figure 11 and Figure 12 on page 26 show the timing requirements when operating in SPI Mode 0 and 2, and SPI Mode 1 and 3, respectively.

Figure 11. SPI Timing – Mode 0 and 2

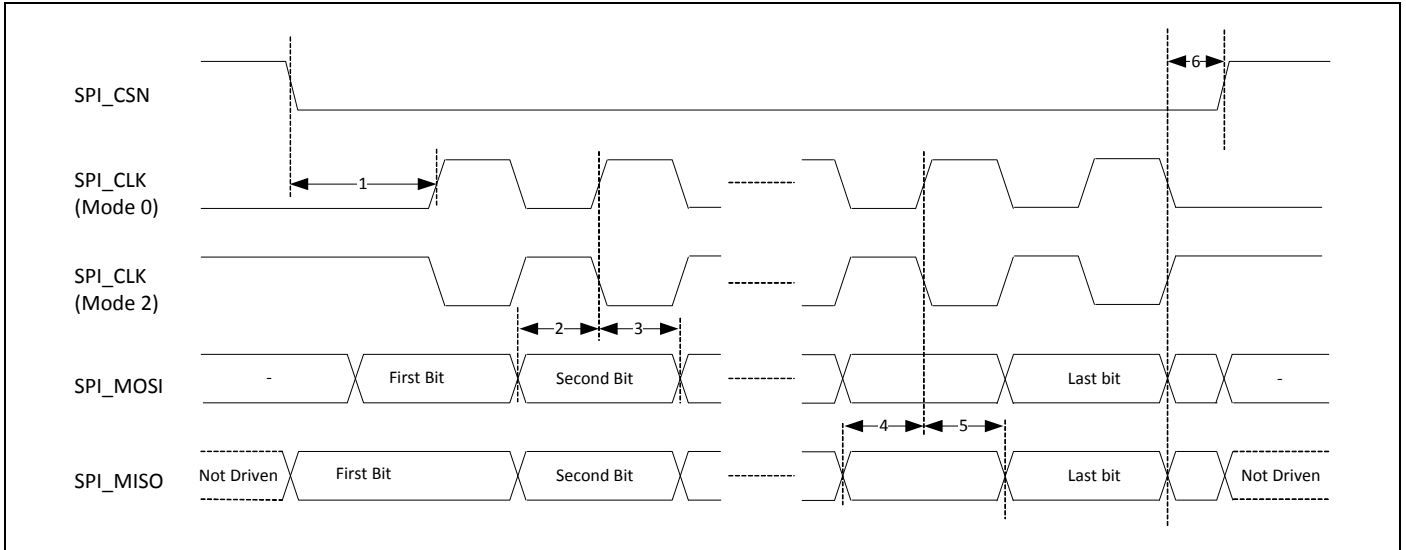
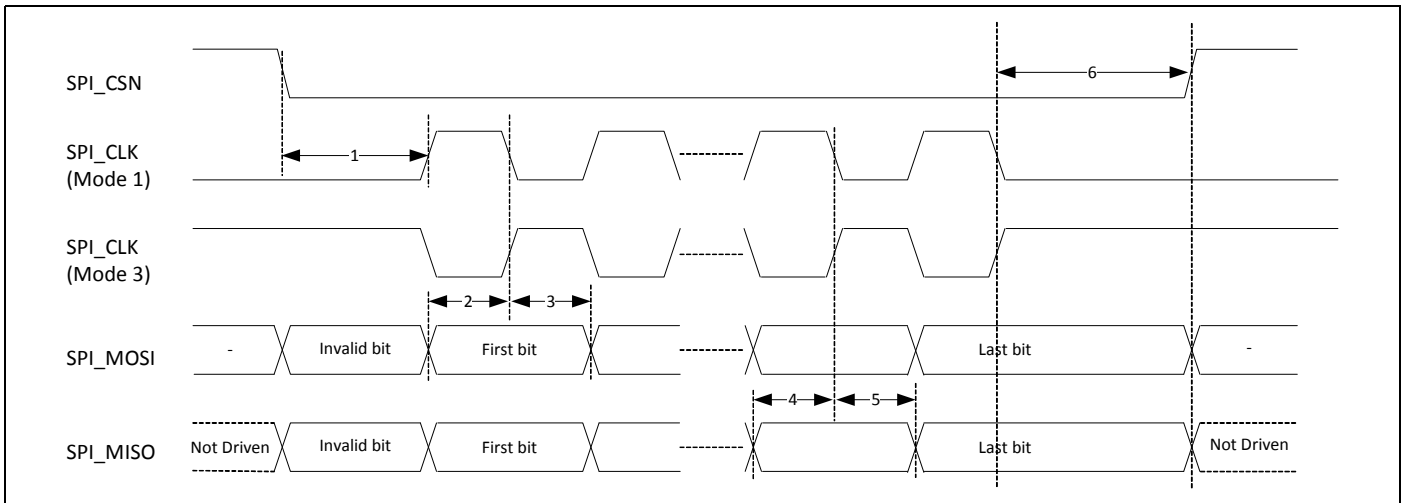


Figure 12. SPI Timing – Mode 1 and 3



3.3.3 BSC Interface Timing

Table 20. BSC Interface Timing Specifications

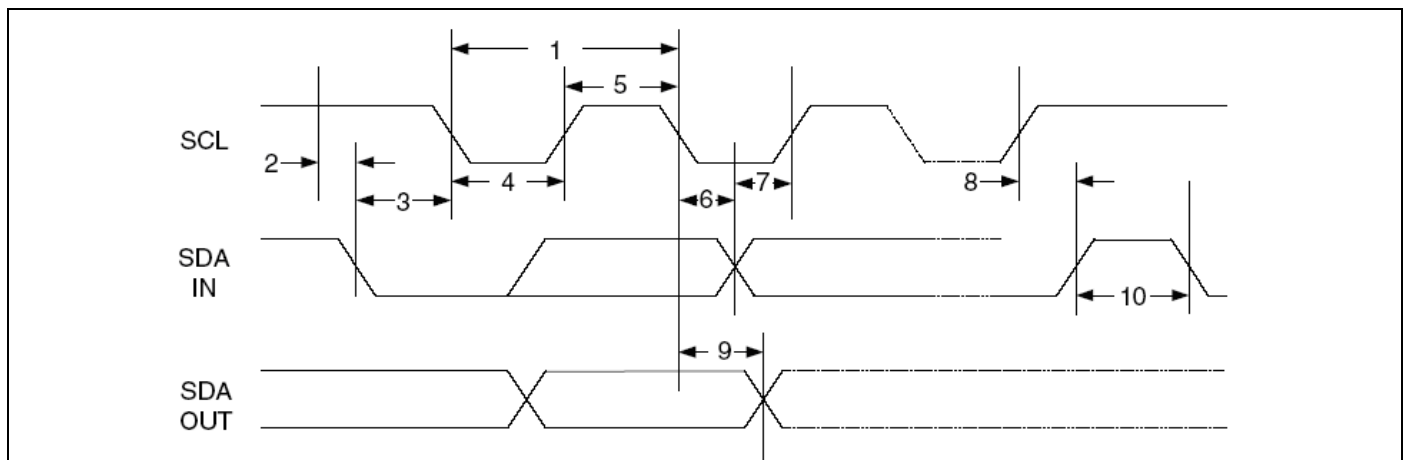
| Reference | Characteristics | Min | Max | Unit | |
|-----------|-----------------------------------|-----|---------------------------|------|----|
| 1 | Clock frequency | – | 100 400 800 1000 | kHz | |
| 2 | START condition setup time | 650 | – | | ns |
| 3 | START condition hold time | 280 | – | | ns |
| 4 | Clock low time | 650 | – | | ns |
| 5 | Clock high time | 280 | – | ns | |
| 6 | Data input hold time ^a | 0 | – | ns | |

Table 20. BSC Interface Timing Specifications

| Reference | Characteristics | Min | Max | Unit |
|-----------|----------------------------|-----|-----|------|
| 7 | Data input setup time | 100 | – | ns |
| 8 | STOP condition setup time | 280 | – | ns |
| 9 | Output valid from clock | – | 400 | ns |
| 10 | Bus free time ^b | 650 | – | ns |

- a. As a transmitter, 300 ns of delay is provided to bridge the undefined region of the falling edge of SCL to avoid unintended generation of START or STOP conditions.
- b. Time that the cbus must be free before a new transaction can start.

Figure 13. BSC Interface Timing Diagram



3.4 ESD Test Models

ESD can have serious detrimental effects on all semiconductor ICs and the system that contains them. Standards are developed to enhance the quality and reliability of ICs by ensuring all devices employed have undergone proper ESD design and testing, thereby minimizing the detrimental effects of ESD. Three major test methods are widely used in the industry today to describe uniform methods for assessing ESD immunity at Component level, Human Body Model (HBM), Machine Model (MM), and Charged Device Model (CDM). The following standards were used to test this device:

3.4.1 Human-Body Model (HBM) – ANSI/ESDA/JEDEC JS-001-2012

The HBM has been developed to simulate the action of a human body discharging an accumulated static charge through a device to ground, and employs a series RC network consisting of a 100 pF capacitor and a 1500Ω (Ohm) resistor. Both positive and negative polarities are used for this test. Although, a 100 ms delay is allowable per specification, the minimum delay used for testing was set to 300 ms between each pulse.

3.4.2 Machine Model (MM) – JEDEC JESD22-A115C

The MM has been developed to simulate the rapid discharge from a charged conductive object, such as a metallic tool or fixture. The most common application would be rapid discharge from charged board assembly or the charged cables of automated testers. This model consists of a 200 pF capacitor discharged directly into a component with no series resistor (0Ω). One positive and one negative polarity pulses are applied. The minimum delay between pulses is 500 ms.

3.4.3 Charged-Device Model (CDM) - JEDEC JESD22-C101E

CDM simulates charging/discharging events that occur in production equipment and processes. The potential for a CDM ESD events occurs when there is metal-to-metal contact in manufacturing. CDM addresses the possibility that a charge may reside on the lead frame or package (e.g., from shipping) and discharge through a pin that subsequently is grounded, causing damage to sensitive devices in the path. Discharge current is limited only by the parasitic impedance and capacitance of the device. CDM testing consists of charging package to a specified voltage, then discharging the voltage through relevant package leads. One positive and one negative polarity pulse is applied. The minimum delay between pulses is 200 ms.

3.4.4 Results Summary

ESD Test Voltage Level Results:

- HBM +/- 2KV PASS
- CDM +/- 500V PASS
- MM +/- 150V PASS

4. Mechanical Information

Figure 14. 32-Pin 5x5 mm QFN Package

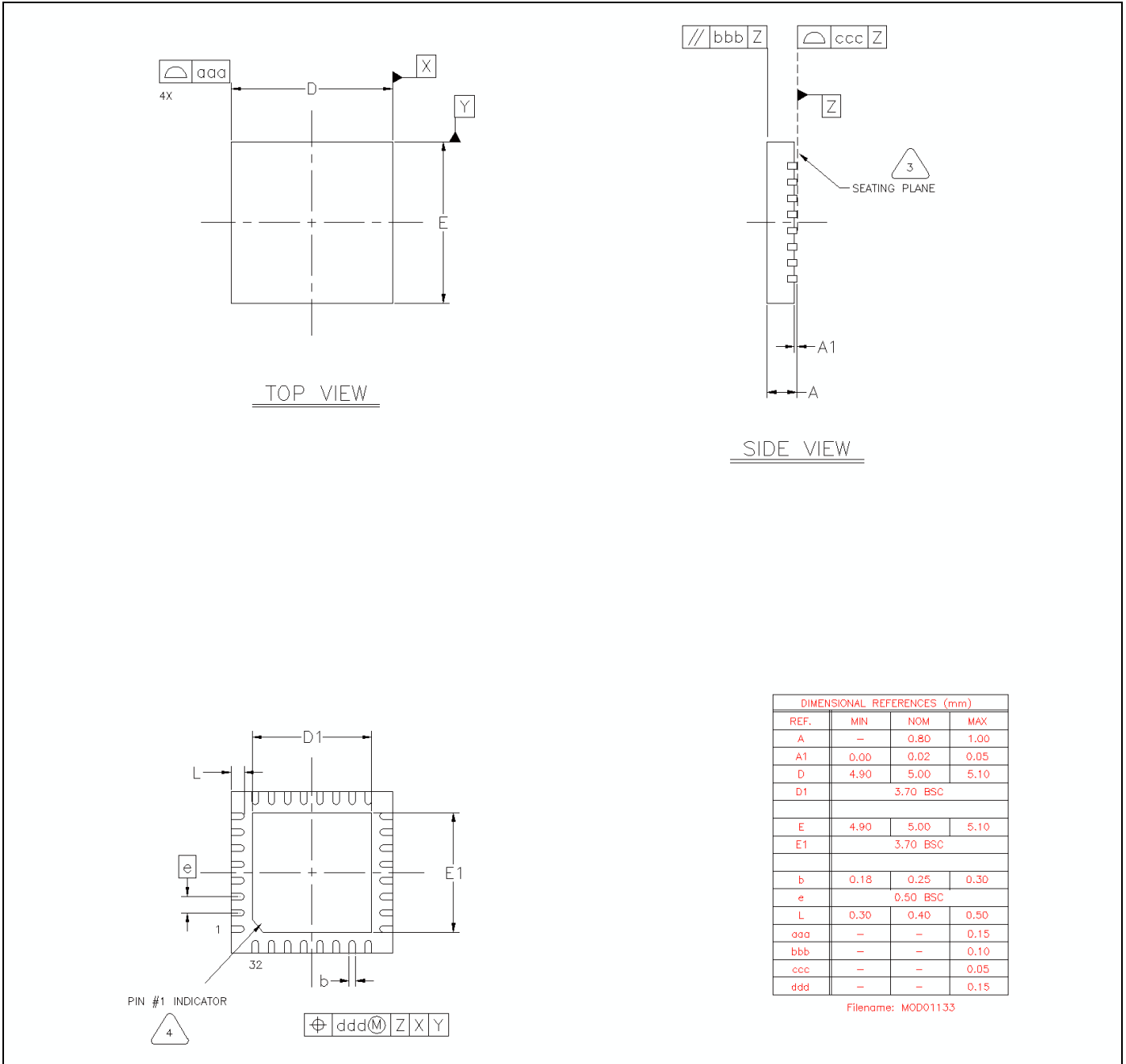


Table 21 provides dimensions and additional details on the 32-pin 5x5 mm QFN package.

Table 21. 32-pin 5x5 mm QFN Package Dimensions (Footprint: 0.80)

| S/N | SYM | Dimension | Comments/Specifications |
|-----|-----|--------------|--|
| 1 | A | 0.900 ±0.100 | Overall Height General tolerance: Distance: ±0.100 Angle: |
| 2 | A1 | 0.020 ±TBD | Standoff Matte finish on package body surface, except ejection and pin 1 marking. Ra 0.3 ~ 1.2 µm |
| 3 | D | 5.000 ±0.100 | Package Length Frame base metal thickness 0.203 base |
| 4 | E | 5.000 ±0.100 | Package Width All molded body sharp corner radii; unless otherwise specified. R0.200 (maximum) |
| 5 | L | 0.400 ±0.075 | Foot Length Drawing does not include plastic or metal protrusion of cutting burr. |
| 6 | T | 0.203 Ref. | Frame Thickness Compliant to JEDEC standard: MO-220. |
| 7 | b | 0.250 ±0.050 | Lead Width |
| 8 | e | 0.500 Base | Lead Pitch |

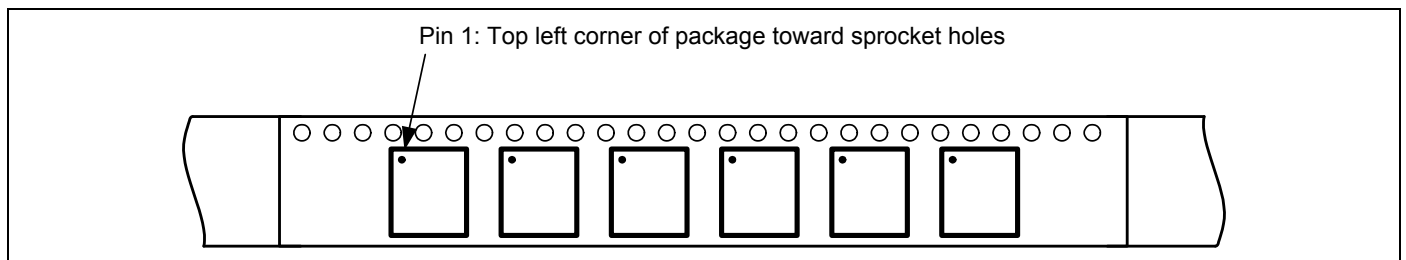
4.0.1 Tape Reel and Packaging Specifications

Table 22. CYW20732 5 × 5 × 1 mm QFN, 32-Pin Tape Reel Specifications

| Parameter | Value |
|-------------------|-------------|
| Quantity per reel | 2500 pieces |
| Reel diameter | 13 inches |
| Hub diameter | 7 inches |
| Tape width | 12 mm |
| Tape pitch | 8 mm |

The top left corner of the CYW20732 package is situated near the sprocket holes, as shown in Figure 15.

Figure 15. Pin 1 Orientation



5. Ordering Information

Table 23. Ordering Information

| Part Number | Package | Ambient Operating Temperature |
|--------------------|----------------|--------------------------------------|
| CYW20732A0KML2G | 32-pin QFN | -30°C to +85°C |

A. Appendix: Acronyms and Abbreviations

The following list of acronyms and abbreviations may appear in this document.

| Term | Description |
|------------|--|
| ADC | analog-to-digital converter |
| AFH | adaptive frequency hopping |
| AHB | advanced high-performance bus |
| APB | advanced peripheral bus |
| APU | audio processing unit |
| ARM7TDMI-S | Acorn RISC Machine 7 Thumb instruction, Debugger, Multiplier, Ice, Synthesizable |
| CSC | Cypress Serial Control |
| BTC | Bluetooth controller |
| COEX | coexistence |
| DFU | device firmware update |
| DMA | direct memory access |
| EBI | external bus interface |
| HCI | Host Control Interface |
| HV | high voltage |
| IDC | initial digital calibration |
| IF | intermediate frequency |
| IRQ | interrupt request |
| JTAG | Joint Test Action Group |
| LCU | link control unit |
| LDO | low drop-out |
| LHL | lean high land |
| LPO | low power oscillator |
| LV | LogicVision |
| MIA | multiple interface agent |
| PCM | pulse code modulation |
| PLL | phase locked loop |
| PMU | power management unit |
| POR | power-on reset |
| PWM | pulse width modulation |
| QD | quadrature decoder |
| RAM | random access memory |
| RF | radio frequency |
| ROM | read-only memory |
| RX/TX | receive, transmit |
| SPI | serial peripheral interface |
| SW | software |
| UART | universal asynchronous receiver/transmitter |
| UPI | μ-processor interface |
| WD | watchdog |

Document History

| Document Title: CYW20732A0 Single-Chip Bluetooth Low-Energy Only SoC | | | | |
|--|-----|-----------------|-----------------|---|
| Document Number: 002-14837 | | | | |
| Revision | ECN | Orig. of Change | Submission Date | Description of Change |
| ** | - | - | 6/27/2011 | 20732-DS100-R: Initial release |
| *A | - | - | 2/24/2012 | 20732-DS101-R: Updated: • Document title changed. • “Bluetooth Low Energy Features” on page 1. • Table 8: “GPIO Pin Descriptions,” on page 16. • Table 15: “Receiver RF Specifications,” on page 23. • Table 16: “Transmitter RF Specifications,” on page 24. • “SPI Timing” on page 25. |
| *B | - | - | 9/17/2012 | 20732-DS102-R: Updated: • ‘Preliminary Data Sheet’ to ‘Data Sheet’. • ‘HIDOFF mode’ to ‘HIDOFF (Deep Sleep) mode’. |
| *C | - | - | 7/10/2013 | 20732-DS103-R: Updated: • “Bluetooth Low Energy Features” on page 1. • “Microprocessor Unit” on page 07. • Table 9: “Maximum Electrical Rating,” on page 20 • Table 21: “Ordering Information,” on page 31. |
| *D | - | - | 9/17/2013 | 20732-DS104-R: Updated: • Table 14: “Current Consumption,” on page 22: RX/Tx maximum current values. |
| *E | - | - | 10/03/2013 | 20732-DS105-R: Updated: • Table 14: “Current Consumption,” on page 22. |
| *F | - | - | 12/12/2013 | 20732-DS106-R: Updated: • Table 16: “Transmitter RF Specifications,” on page 24 |
| *G | - | - | 3/26/2014 | 20732-DS107-R: Updated: • Figure 14: “32-Pin 5x5 mm QFN Package,” on page 30 Added: • Table 20: “32-pin 5x5 mm QFN Package Dimensions (Footprint: 0.80),” on page 30 |
| *H | - | - | 06/05/2014 | 20732-DS108-R: Updated: • “UART Interface” on page 10. |
| *I | - | - | 11/24/2014 | 20732-DS109-R: Updated: • Table 5: “Reference Crystal Electrical Specifications,” on page10 |
| *J | - | - | 04/21/2015 | 20732-DS110-R: Updated: • Table15:“Receiver RF Specifications,” on page23 |

| Document Title: CYW20732A0 Single-Chip Bluetooth Low-Energy Only SoC | | | | |
|--|---------|------|------------|--|
| Document Number: 002-14837 | | | | |
| *K | - | - | 02/16/2016 | 20732-DS111-R: Added: • “ESD Test Models” on page 27 |
| *L | 5448744 | UTSV | 11/02/2016 | Migrated to Cypress template. |

Sales, Solutions, and Legal Information

Worldwide Sales and Design Support

Cypress maintains a worldwide network of offices, solution centers, manufacturer’s representatives, and distributors. To find the office closest to you, visit us at [Cypress Locations](#).

Products

| | |
|-------------------------------|--|
| ARM® Cortex® Microcontrollers | cypress.com/arm |
| Automotive | cypress.com/automotive |
| Clocks & Buffers | cypress.com/clocks |
| Interface | cypress.com/interface |
| Internet of Things | cypress.com/iot |
| Lighting & Power Control | cypress.com/powerpsoc |
| Memory | cypress.com/memory |
| PSoC | cypress.com/psoc |
| Touch Sensing | cypress.com/touch |
| USB Controllers | cypress.com/usb |
| Wireless/RF | cypress.com/wireless |

PSoC® Solutions

[PSoC 1](#) | [PSoC 3](#) | [PSoC 4](#) | [PSoC 5LP](#)

Cypress Developer Community

[Forums](#) | [WICED IoT Forums](#) | [Projects](#) | [Video](#) | [Blogs](#) | [Training](#) | [Components](#)

Technical Support

cypress.com/support



© Cypress Semiconductor Corporation, 2011-2016. This document is the property of Cypress Semiconductor Corporation and its subsidiaries, including Spansion LLC (“Cypress”). This document, including any software or firmware included or referenced in this document (“Software”), is owned by Cypress under the intellectual property laws and treaties of the United States and other countries worldwide. Cypress reserves all rights under such laws and treaties and does not, except as specifically stated in this paragraph, grant any license under its patents, copyrights, trademarks, or other intellectual property rights. If the Software is not accompanied by a license agreement and you do not otherwise have a written agreement with Cypress governing the use of the Software, then Cypress hereby grants you a personal, non-exclusive, nontransferable license (without the right to sublicense) (1) under its copyright rights in the Software (a) for Software provided in source code form, to modify and reproduce the Software solely for use with Cypress hardware products, only internally within your organization, and (b) to distribute the Software in binary code form externally to end users (either directly or indirectly through resellers and distributors), solely for use on Cypress hardware product units, and (2) under those claims of Cypress’s patents that are infringed by the Software (as provided by Cypress, unmodified) to make, use, distribute, and import the Software solely for use with Cypress hardware products. Any other use, reproduction, modification, translation, or compilation of the Software is prohibited.

TO THE EXTENT PERMITTED BY APPLICABLE LAW, CYPRESS MAKES NO WARRANTY OF ANY KIND, EXPRESS OR IMPLIED, WITH REGARD TO THIS DOCUMENT OR ANY SOFTWARE OR ACCOMPANYING HARDWARE, INCLUDING, BUT NOT LIMITED TO, THE IMPLIED WARRANTIES OF MERCHANTABILITY AND FITNESS FOR A PARTICULAR PURPOSE. To the extent permitted by applicable law, Cypress reserves the right to make changes to this document without further notice. Cypress does not assume any liability arising out of the application or use of any product or circuit described in this document. Any information provided in this document, including any sample design information or programming code, is provided only for reference purposes. It is the responsibility of the user of this document to properly design, program, and test the functionality and safety of any application made of this information and any resulting product. Cypress products are not designed, intended, or authorized for use as critical components in systems designed or intended for the operation of weapons, weapons systems, nuclear installations, life-support devices or systems, other medical devices or systems (including resuscitation equipment and surgical implants), pollution control or hazardous substances management, or other uses where the failure of the device or system could cause personal injury, death, or property damage (“Unintended Uses”). A critical component is any component of a device or system whose failure to perform can be reasonably expected to cause the failure of the device or system, or to affect its safety or effectiveness. Cypress is not liable, in whole or in part, and you shall and hereby do release Cypress from any claim, damage, or other liability arising from or related to all Unintended Uses of Cypress products. You shall indemnify and hold Cypress harmless from and against all claims, costs, damages, and other liabilities, including claims for personal injury or death, arising from or related to any Unintended Uses of Cypress products.

Cypress, the Cypress logo, Spansion, the Spansion logo, and combinations thereof, WICED, PSoC, CapSense, EZ-USB, F-RAM, and Traveo are trademarks or registered trademarks of Cypress in the United States and other countries. For a more complete list of Cypress trademarks, visit cypress.com. Other names and brands may be claimed as property of their respective owners.

Looking for pricing, stock, or lifecycle information?

Click below to explore more details on WIN SOURCE:

-  [View BCM20732A0KML2GT on WIN SOURCE](#)
-  [Cypress Semiconductor Corp Information](#)

Optimize Your Supply Chain with WIN SOURCE Solutions

-  Global Sourcing Solution
-  Obsolete Management
-  Cost Control Management
-  Shortage Management
-  Alternative Solution
-  Excess Inventory Management