

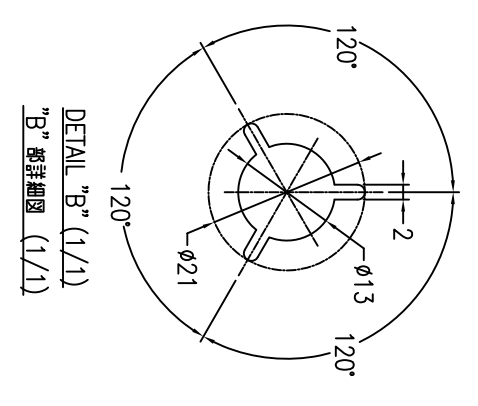
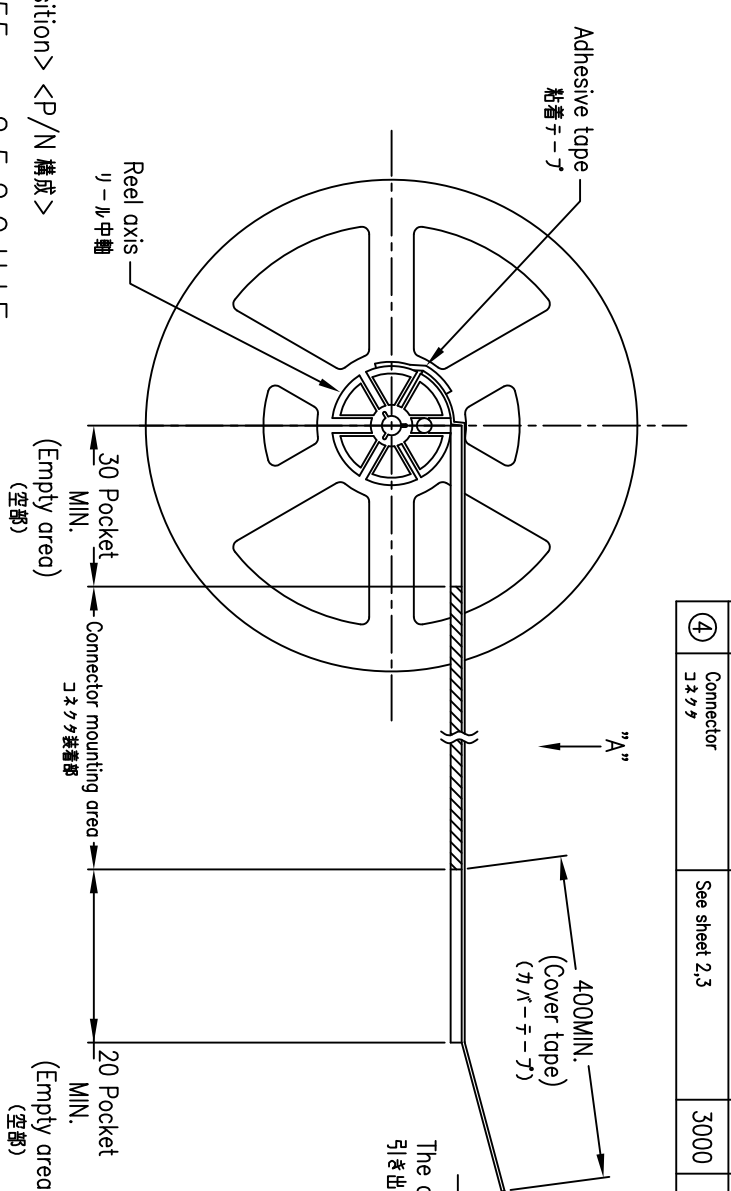
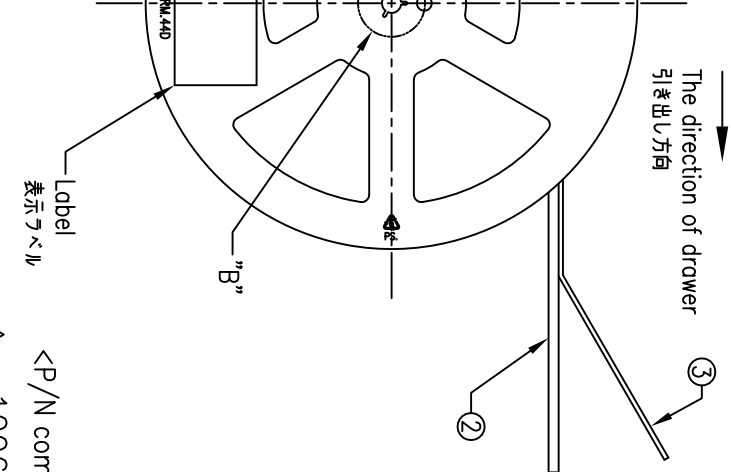


**THE DATASHEET OF  
10064555-392120HLF**



PARTS TABLE 部品表

No.	Part name 部品名	Material 材質	QTY.	Note 備考
①	The reel for packaging 梱包用リール	Polystyrene ポリスチレン	1	Color : White, Electrification prevention processing 色 : 白、帯電防止処理品
②	Emboss tape エンボステープ	PP or PET	1	Electrification prevention processing 帯電防止処理品
③	Cover tape カバーテープ	Polyester ポリエステル	1	
④	Connector コネクタ	See sheet 2.3	3000	



<P/N composition> <P/N 構成>  
10064555-XX 2 5 2 0 H L F

- Lead Free
- Mold material
- Embossing tape package 0: 8mm PITCH
- TYPES OF PRODUCT
- Contact Side 2: UPPER SIDE
- No. of position
- Series name

- 1E : Non-Halogen free
- 2H : Halogen free
- 1: SMT / WITH CABLE LOCK
- 2: SMT / WITHOUT CABLE LOCK
- 5: SMT / WITH CABLE LOCK, WITH ACT BOSS

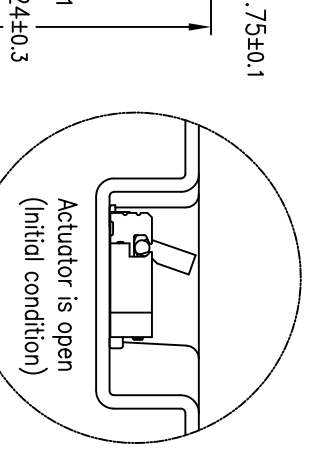
NOTE

- This article carries out the emboss tape package of the P/N10064555 series connector.
- The shape and dimension of this article are based on JIS C 0806. (Taping of electronic parts (Surface mounted device))

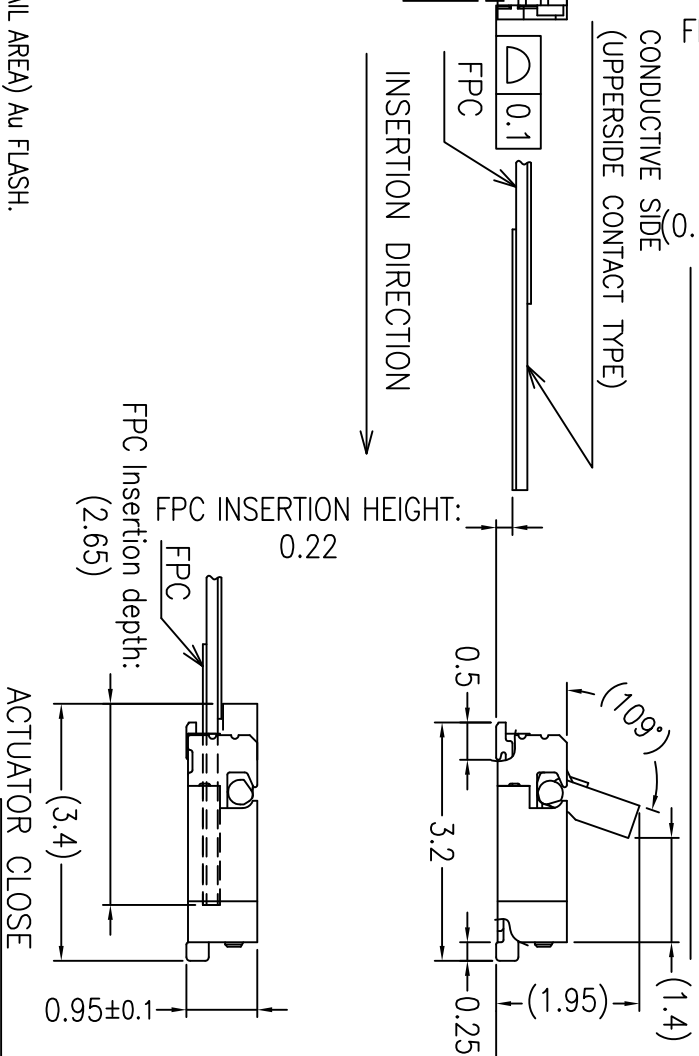
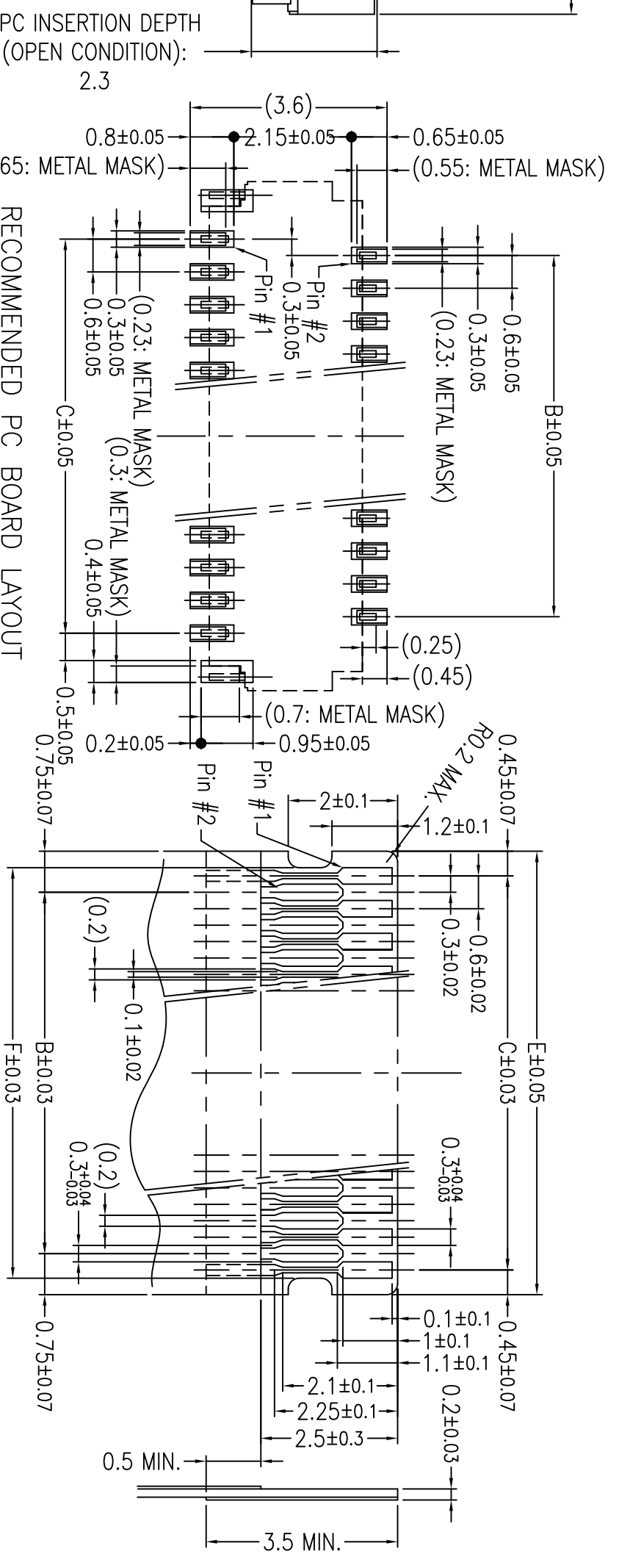
注記  
1. 本品は P/N10064555シリーズをエンボステープ梱包したものである。  
2. 本品の形状及び寸法規定は JIS C 0806 (電子部品のテープング (表面実装部品)) に準拠する。

DETAIL "B" (1/1)  
"B" 部詳細図 (1/1)

VIEW "A" (N.S.)  
左視 "A" (N.S.)



mat'l. code	SEE TABLE	surface ISO 1302	tolerance ISO 406 ISO 1101	projection	product family	title	dwg no	sheet 1 of 4	size
ltr	ecgn no	dr	date	tolerances unless otherwise specified	angles	linear	0.XX/±0.3	MM	ASSEMBLY
A	J06-0368	Y.K	09/06/'06						0.3mm PITCH CONNECTOR FOR FPC
B	J07-0472	Y.K	2007-9-21						YLL-U Series
C	J08-0064	Y.K	2008-2-12	0.±3°					
D	J08-0419	Y.K	2008-10-29	Dr					
E	J11-0067	Y.K	2011-03-16	lengr					
F	J11-0284	Y.K	2011-12-15	chr					
G	ELX-J-33301	Y.K	2019-04-19	appd					
sheet index	revision	G	G	G	G				
	sheet	1	2	3	4				



10064555-39211LF	10064555-39212HLF	10064555-35211LF	10064555-33211LF	10064555-31211LF	10064555-25211LF	10064555-21211LF	10064555-15211LF
13.5	10.8	11.4	13.0	12.3	11.7	9	6.3
10.8	11.4	13.0	12.3	11.7	9	6.3	3.6
11.4	13.0	12.3	11.7	9	6.3	3.6	8.1
13.0	12.3	11.7	9	6.3	3.6	8.1	5.1
12.3	11.7	9	6.3	3.6	8.1	5.1	4.5
11.7	9	6.3	3.6	8.1	5.1	4.5	
9	6.3	3.6	8.1	5.1	4.5		
6.3	3.6	8.1	5.1	4.5			
3.6	8.1	5.1	4.5				
8.1	5.1	4.5					
5.1	4.5						
4.5							

mat'l. code		SEE TABLE		surface		tolerance		projection		product family	
ISO 1302	ISO 406	ISO 1101	ISO 1302	ISO 406	ISO 1101	ISO 1302	ISO 406	ISO 1101	ISO 1302	ISO 406	ISO 1101
10064555-39211LF	10064555-39212HLF	13.5	10.8	11.4	13.0	12.3	11.7	9	6.3	3.6	8.1
10064555-35211LF	10064555-33211LF	11.1	8.4	9	10.6	9.9	9.3	8.4	9	6.0	7.6
10064555-25211LF	10064555-21211LF	9.3	6.6	7.2	8.8	8.1	7.5	6.6	5.4	4.2	5.8
10064555-15211LF		6.3	3.6	4.2	5.8	5.1	4.5	3.6	2.1	1.1	1.1

ALL AREA) Au FLASH.

122 Series (YLL-DOWN CONTACT TYPE).

regulations as described in GS-47-0004.

Sheet 2 of 4

10064555

Product Customer Drawing

Amphenol FCI

ASSEMBLY

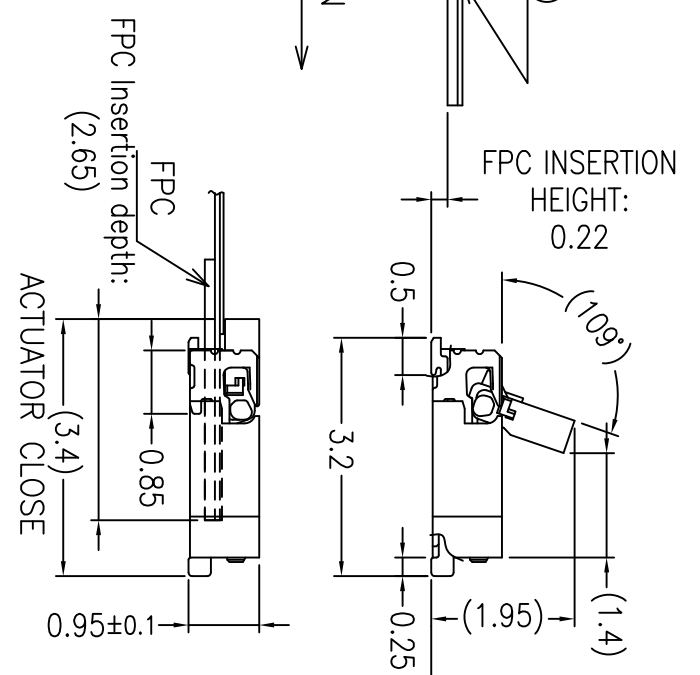
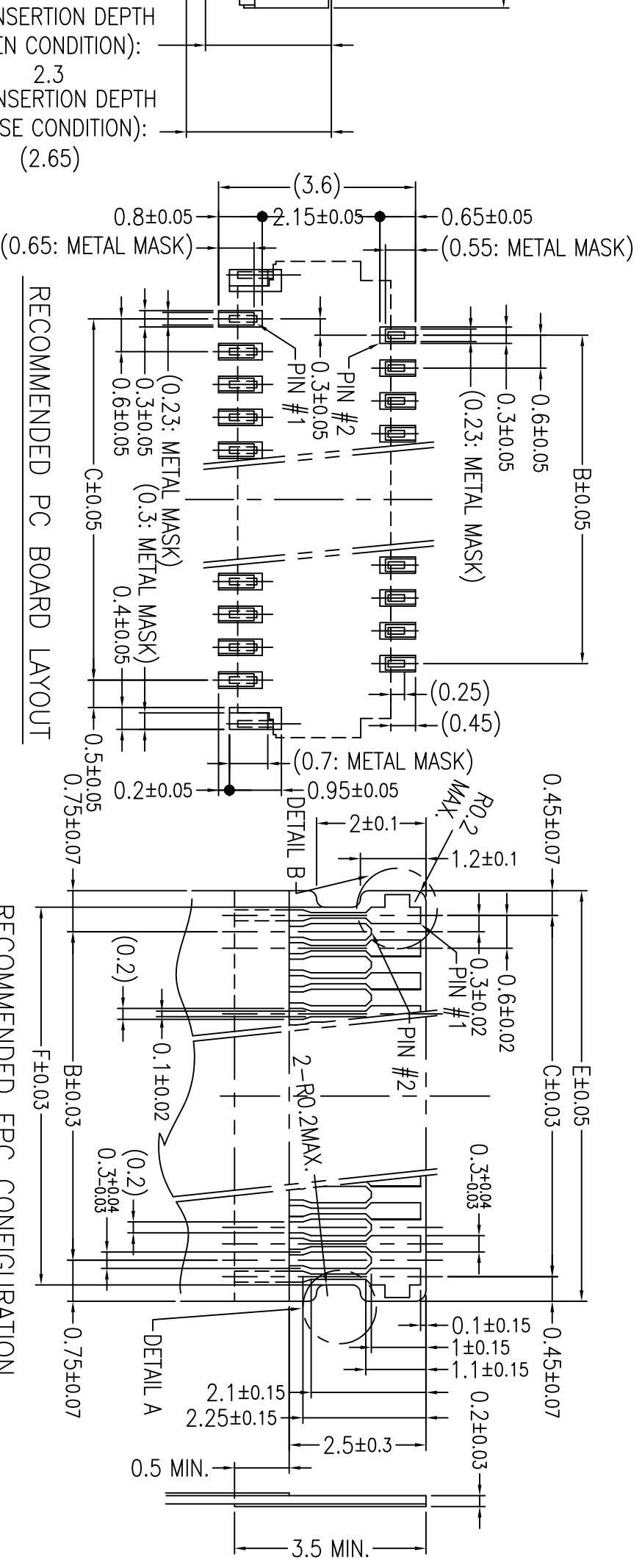
0.3mm PITCH CONNECTOR FOR FPC

YLL-U Series

Sheet 2 of 4

size A3





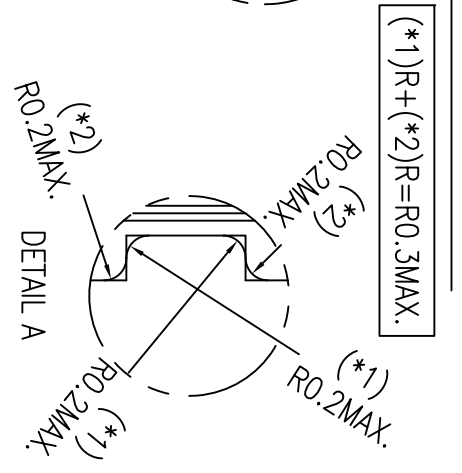
Part No.	Quantity	Material	Notes
10064555-27252HLF	9.9	9.9	
10064555-23252HLF	8.7	6.0	
10064555-21252HLF	8.1	5.4	
10064555-17252HLF	6.9	4.2	

Surface	Tolerance	Projection	Product Family
ISO 1302	ISO 406 ISO 1101	MM	HPL538 FLEX0.3
tolerances unless otherwise specified			
angles	0.X/±0.3		
linear	0.XX/±0.3		
	0.XXX/±0.3		

Part No.	Quantity	Material	Notes
10064555-27252HLF	9.9	7.2	
10064555-23252HLF	8.7	6.6	
10064555-21252HLF	8.1	6.0	
10064555-17252HLF	6.9	5.4	



AREA) Au FLASH.

mat'l. code	ISO 1302	tolerance	projection	product family
	ISO 1302	ISO 406 ISO 1101	MM	HPL538 FLEX0.3
ASSEMBLY				
0.3mm PITCH CONNECTOR FOR FPC				
YLL-U Series				
sheet index	revision	sheet	dwg no	sheet 4 of 4
			10064555	A3
			CUSTOMER Drawing	size

## Looking for pricing, stock, or lifecycle information?

Click below to explore more details on WIN SOURCE:

[View 10064555-392120HLF on WIN SOURCE](#)

[Amphenol FCI Information](#)

## Optimize Your Supply Chain with WIN SOURCE Solutions

- ✓ Global Sourcing Solution
- ✓ Obsolete Management
- ✓ Cost Control Management
- ✓ Shortage Management
- ✓ Alternative Solution
- ✓ Excess Inventory Management