

Configurable octal serial switch with open load detect current disable

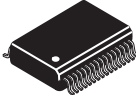
The 33879 device is an 8-output hardware configurable, high-side/low-side switch with 16-bit serial input control using the serial peripheral interface (SPI). Two of the outputs may be controlled directly via a microcontroller for pulse-width modulation (PWM) applications. The 33879 incorporates SMARTMOS technology, with CMOS logic, bipolar/MOS analog circuitry, and DMOS power MOSFETs. The 33879 controls various inductive, incandescent, or LED loads by directly interfacing with a microcontroller. The circuit's innovative monitoring and protection features include very low standby currents, cascade fault reporting, internal +45 V clamp voltage for low-side configuration, -20 V high-side configuration, output specific diagnostics, and independent overtemperature protection.

Features

- Designed to operate $5.5\text{ V} \leq V_{PWR} \leq 27.5\text{ V}$
- 16-bit SPI for control and fault reporting, 3.3 V/5.0 V compatible
- Outputs are current limited (0.6 to 1.2 A) to drive incandescent lamps
- Output voltage clamp, +45 V (low-side) and -20 V (high-side) during inductive switching
- On/Off control of open load detect current (LED application)
- Internal reverse battery protection on V_{PWR}
- Loss of ground or supply will not energize loads or damage IC
- Maximum $5.0\text{ }\mu\text{A}$ I_{PWR} standby current at 13 V V_{PWR}
- $R_{DS(ON)}$ of $0.75\text{ }\Omega$ at $25\text{ }^\circ\text{C}$ typical
- Short-circuit detect and current limit with automatic retry
- Independent overtemperature protection

33879
33879A

HIGH-SIDE/ LOW-SIDE SWITCH



EK SUFFIX (PB-FREE)
98ARL10543D
32-PIN SOICW

Applications

- Solenoids
- Relays
- Actuators
- Stepper motors
- Brush DC motors
- Incandescent lamps

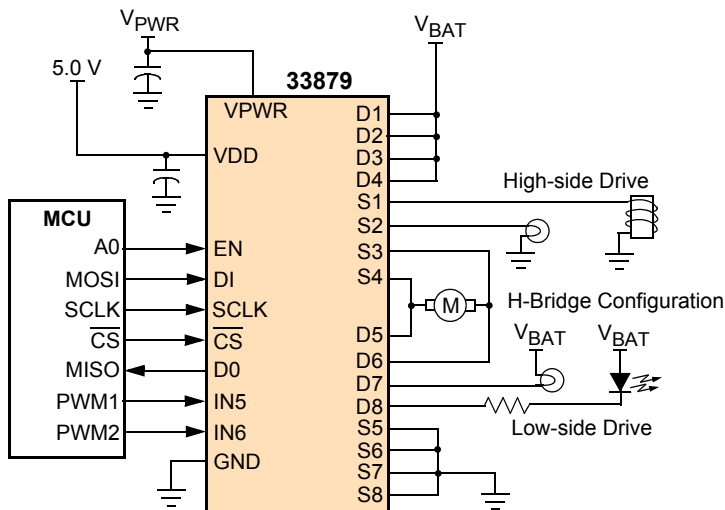


Figure 1. 33879 simplified application diagram

1 Orderable parts

Table 1. Orderable part variations

Part number ⁽¹⁾	Temperature (T _A)	Package
MC33879APEK	-40 to 125 °C	32 SOICW-EP
MC33879TEK		

Notes

- To order parts in Tape & Reel, add the R2 suffix to the part number.

Table 2. Device variations

Symbol	Characteristic	Min.	Typ.	Max.	Unit
V _{PWR}	V _{PWR} Supply Voltage • 33879 • 33879A	-16 -16	– –	40 45	V
I _{OUT(FLT-TH)}	Output Fault Detection Current @ Threshold, High-side Configuration Outputs Programmed OFF • 33879 • 33879A	35 35	55 55	90 150	μA
I _{OCO}	Output OFF Open Load Detection Current, High-side Configuration VDRAIN = 16 V, VSOURCE = 0 V, Outputs Programmed OFF, VPWR = 16 V • 33879 • 33879A	65 60	100 100	160 190	μA
I _{OCO}	Output OFF Open Load Detection Current, Low-side Configuration VDRAIN = 16 V, VSOURCE = 0 V, Outputs Programmed OFF, VPWR = 16 V • 333879 • 338979A	40 40	75 75	135 150	μA
I _{EN}	EN Pull-down Current EN = 5.0 V • 333879 • 33879A	20 20	45 45	100 110	μA
V _{OUT(FLT-TH)}	Output Fault Detection Voltage Threshold Outputs Programmed OFF • 33879 • 33879A	2.5 2.5	4.0 4.0	4.5 5.0	V
I _{OUT(FLT-TH)}	Output Fault Detection Current @ Threshold, Low-side Configuration Outputs Programmed OFF • 33879 • 33879A	20 20	30 30	60 115	μA

2 Internal block diagram

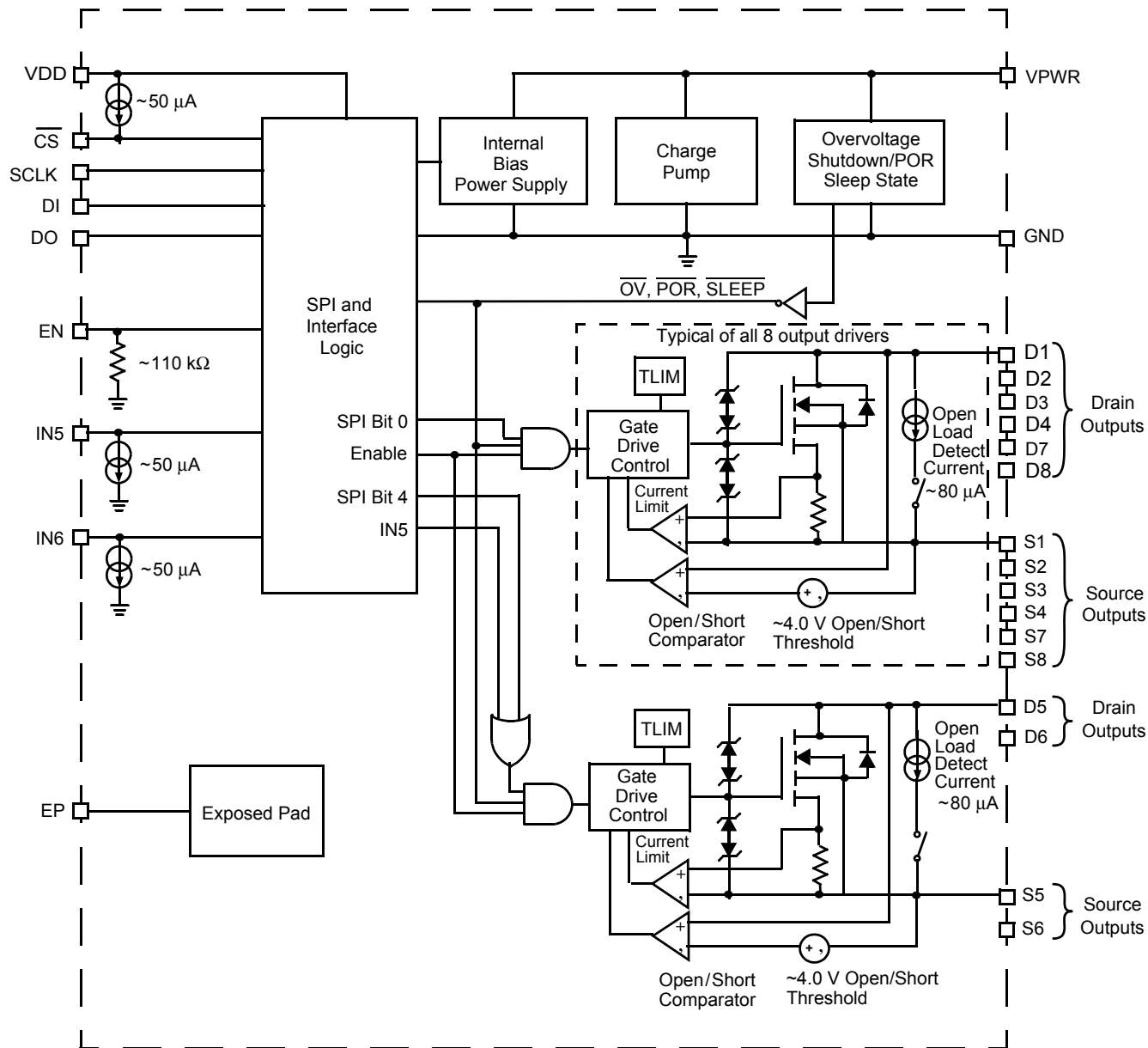


Figure 2. 33879 simplified internal block diagram

3 Pin connections

3.1 Pinout diagram

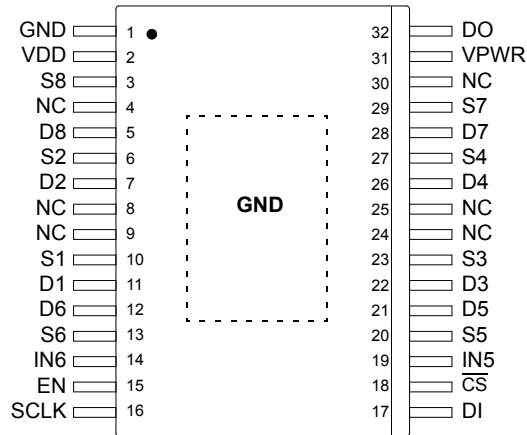


Figure 3. 33879 pin connections

3.2 Pin definitions

A functional description of each pin can be found in [5.1, Functional pin description, page 15](#).

Table 3. 33879 pin definitions

Pin number	Pin name	Pin function	Formal name	Definition
1	GND	Ground	Ground	Digital ground.
2	V _{DD}	Input	Logic Supply Voltage	Logic supply for SPI interface. With V _{DD} low the device is in Sleep mode.
3	s ₈	Output	Source Output 8	Output 8 MOSFET source pin.
4, 8, 9, 24, 25, 30	NC	No Connection	Not Connected	No internal connection to this pin.
5	D ₈	Output	Drain Output 8	Output 8 MOSFET drain pin.
6	S ₂	Output	Source Output 2	Output 2 MOSFET source pin.
7	D ₂	Output	Drain Output 2	Output 2 MOSFET drain pin.
10	S ₁	Output	Source Output 1	Output 1 MOSFET source pin.
11	D ₁	Output	Drain Output 1	Output 1 MOSFET drain pin.
12	D ₆	Output	Drain Output 6	Output 6 MOSFET drain pin.
13	S ₆	Output	Source Output 6	Output 6 MOSFET source pin.
14	IN ₆	Input	Command Input 6	PWM direct control input pin for output 6. IN ₆ is "OR" with SPI bit.
15	EN	Input	Enable Input	IC Enable. Active high. With EN low, the device is in Sleep mode.
16	SCLK	Clock	SPI Clock	SPI control clock input pin.
17	DI	Input	Serial Data Input	SPI control data input pin from MCU to the 33879. Logic [1] activates output.
18	$\overline{\text{CS}}$	Input	SPI Chip Select	SPI control chip select input pin from MCU to the 33879. Logic [0] allows data to be transferred in.
19	IN ₅	Input	Command Input 5	PWM direct control input pin for output 5. IN ₅ is "OR" with SPI bit.
20	S ₅	Output	Source Output 5	Output 5 MOSFET source pin.

Table 3. 33879 pin definitions (continued)

Pin number	Pin name	Pin function	Formal name	Definition
21	D5	Output	Drain Output 5	Output 5 MOSFET drain pin.
22	D3	Output	Drain Output 3	Output 3 MOSFET drain pin.
23	S3	Output	Source Output 3	Output 3 MOSFET source pin.
26	D4	Output	Drain Output 4	Output 4 MOSFET drain pin.
27	S4	Output	Source Output 4	Output 4 MOSFET source pin.
28	D7	Output	Drain Output 7	Output 7 MOSFET drain pin.
29	S7	Output	Source Output 7	Output 7 MOSFET source pin.
31	V _{PWR}	Input	Battery Input	Power supply pin to the 33879. V _{PWR} has internal reverse battery protection.
32	DO	Output	Serial Data Output	SPI control data output pin from the 33879 to the MCU. DO=0 no fault, DO=1 specific output has fault.
33	EP	Ground	Exposed Pad	Device performs as specified with the Exposed Pad un-terminated (floating) however, it is recommended the exposed pad be terminated to pin 1 (GND) and system ground.

4 Electrical characteristics

4.1 Maximum ratings

Table 4. 33879 maximum ratings

All voltages are with respect to ground unless otherwise noted. Exceeding these ratings may cause a malfunction or permanent damage to the device.

Symbol	Ratings	Value	Unit	Notes
Electrical ratings				
V _{DD}	V _{DD} Supply Voltage	-0.3 to 7.0	V _{DC}	(1)
–	\overline{CS} , DI, DO, SCLK, IN5, IN6, and EN	-0.3 to 7.0	V _{DC}	(1)
V _{PWR}	V _{PWR} Supply Voltage • 33879 • 33879A	-16 to 40 -16 to 45	V _{DC}	(1)
E _{CLAMP}	Output Clamp Energy	50	mJ	(2)
V _{ESD1} V _{ESD2} V _{ESD1} V _{ESD2}	ESD Voltage • Human Body Model 33879 • Machine Model 33879 • Human Body Model 33879A • Machine Model 33879A	±450 ±100 ±2000 ±200	V	(3)
Thermal ratings				
T _A T _J T _C	Operating Temperature • Ambient • Junction • Case	-40 to 125 -40 to 150 -40 to 125	°C	
T _{STG}	Storage Temperature	-55 to 150	°C	
P _D	Power Dissipation	1.7	W	(4)
R _{θJA} R _{θJC}	Thermal Resistance • Junction to Ambient • Between the Die and the Exposed Die Pad	71 1.2	°C/W	
T _{PPRT}	Peak Package Reflow Temperature During Reflow	Note 6	°C	(5), (6)

Notes

- Exceeding these limits may cause malfunction or permanent damage to the device.
- Maximum output clamp energy capability at 150°C junction temperature using single non-repetitive pulse method with I = 350 mA.
- ESD1 testing is performed in accordance with the Human Body Model (C_{ZAP} = 100 pF, R_{ZAP} = 1500 Ω), ESD2 testing is performed in accordance with the Machine Model (C_{ZAP} = 200 pF, R_{ZAP} = 0 Ω).
- Maximum power dissipation at T_A = 25 °C with no heatsink used.
- Pin soldering temperature limit is for 10 seconds maximum duration. Not designed for immersion soldering. Exceeding these limits may cause malfunction or permanent damage to the device.
- NXP's Package Reflow capability meets Pb-free requirements for JEDEC standard J-STD-020C. For Peak Package Reflow Temperature and Moisture Sensitivity Levels (MSL), Go to www.NXP.com, search by part number [e.g. remove prefixes/suffixes and enter the core ID to view all orderable parts. (i.e. MC33xxxD enter 33xxx), and review parametrics.

4.2 Static electrical characteristics

Table 5. Static electrical characteristics

Characteristics noted under conditions $3.1\text{ V} \leq V_{DD} \leq 5.5\text{ V}$, $5.5\text{ V} \leq V_{PWR} \leq 18\text{ V}$, $-40\text{ }^\circ\text{C} \leq T_C \leq 125\text{ }^\circ\text{C}$, unless otherwise noted. Where applicable, typical values reflect the parameter's approximate average value with $V_{PWR} = 13\text{ V}$, $T_A = 25\text{ }^\circ\text{C}$.

Symbol	Characteristic	Min.	Typ.	Max.	Unit	Notes
Power input						
$V_{PWR(FO)}$	Supply Voltage Range • Fully Operational 33879 • 33879A	5.5 5.5	– –	26.5 27.5	V	
$I_{PWR(ON)}$	Supply Current	–	14	24	mA	
$I_{PWR(SS)}$	Sleep State Supply Current • V_{DD} or EN $\leq 0.8\text{ V}$, $V_{PWR} = 13\text{ V}$	–	2.0	5.0	μA	
$I_{VDD(SS)}$	Sleep State Supply Current • EN $\leq 0.8\text{ V}$, $V_{DD} = 5.5\text{ V}$	–	2.0	5.0	μA	
$V_{PWR(OV)}$	V_{PWR} Overvoltage Shutdown Threshold Voltage • 33879 • 33879A	27 28	28.5 30	32 33	V	
$V_{PWR(OV-HYS)}$	V_{PWR} Overvoltage Shutdown Hysteresis Voltage	0.2	1.5	2.5	V	
$V_{PWR(UV)}$	V_{PWR} Undervoltage Shutdown Threshold Voltage	3.0	4.0	5.0	V	
$V_{PWR(UV-HYS)}$	V_{PWR} Undervoltage Shutdown Hysteresis Voltage	300	500	700	mV	
V_{DD}	Logic Supply Voltage	3.1	–	5.5	V	
I_{DD}	Logic Supply Current	250	400	700	μA	
$V_{DD(SS)}$	Logic Supply Sleep State Threshold Voltage	0.8	2.5	3.0	V	
Power output						
$R_{DS(on)}$	Drain-to-Source ON Resistance ($I_{OUT} = 0.350\text{ A}$, $V_{PWR} = 13\text{ V}$) • $T_J = 125\text{ }^\circ\text{C}$ $T_J = 25\text{ }^\circ\text{C}$ $T_J = -40\text{ }^\circ\text{C}$	– – –	– 0.75 –	1.4 – –	Ω	
$I_{OUT(LIM)}$	Output Self Limiting Current High-side and Low-side Configurations	0.6	–	1.2	A	
$V_{OUT(FLT-TH)}$	Output Fault Detection Voltage Threshold Outputs Programmed OFF • 33879 • 33879A	2.5 2.5	4.0 4.0	4.5 5.0	V	(7)
$I_{OUT(FLT-TH)}$	Output Fault Detection Current @ Threshold, High-side Configuration Outputs Programmed OFF • 33879 • 33879A	35 35	55 55	90 150	μA	
$I_{OUT(FLT-TH)}$	Output Fault Detection Current @ Threshold, Low-side Configuration Outputs Programmed OFF • 33879 • 33879A	20 20	30 30	60 115	μA	
I_{OCO}	Output OFF Open Load Detection Current, High-side Configuration • $V_{DRAIN} = 16\text{ V}$, $V_{SOURCE} = 0\text{ V}$, Outputs Programmed OFF, $V_{PWR} = 16\text{ V}$ 33879 33879A	65 60	100 100	160 190	μA	

Notes

7. Output fault detection thresholds with outputs programmed OFF. Output fault detect thresholds are the same for output open and shorts.

Table 5. Static electrical characteristics (continued)

Characteristics noted under conditions $3.1\text{ V} \leq V_{DD} \leq 5.5\text{ V}$, $5.5\text{ V} \leq V_{PWR} \leq 18\text{ V}$, $-40\text{ }^\circ\text{C} \leq T_C \leq 125\text{ }^\circ\text{C}$, unless otherwise noted. Where applicable, typical values reflect the parameter's approximate average value with $V_{PWR} = 13\text{ V}$, $T_A = 25\text{ }^\circ\text{C}$.

Symbol	Characteristic	Min.	Typ.	Max.	Unit	Notes
Power output (continued)						
I_{OCO}	Output OFF Open Load Detection Current, Low-side Configuration $V_{DRAIN} = 16\text{ V}$, $V_{SOURCE} = 0\text{ V}$, Outputs Programmed OFF, $V_{PWR} = 16\text{ V}$ • 33879 • 33879A	40 40	75 75	135 150	μA	
$V_{OC(LSD)}$	Output Clamp Voltage Low-side Drive • $I_D = 10\text{ mA}$	40	45	55	V	
$V_{OC(HSD)}$	Output Clamp Voltage High-side Drive • $I_S = -10\text{ mA}$	-15	-20	-25	V	
$I_{OUT(LKG)}$	Output Leakage Current High-side and Low-side Configurations • $V_{DD} = 0\text{ V}$, $V_{DRAIN} = 16\text{ V}$, $V_{SOURCE} = 0\text{ V}$	–	–	5.0	μA	
$I_{OUT(LKG)}$	Output Leakage Current Low-side Configuration • $V_{DD} = 5.0\text{ V}$, $V_{DRAIN} = 16\text{ V}$, $V_{SOURCE} = 0\text{ V}$, Open Load Detection Current Disabled	–	–	5.0	μA	
$I_{OUT(LKG)}$	Output Leakage Current High-side Configuration • $V_{DD} = 5.0\text{ V}$, $V_{DRAIN} = 16\text{ V}$, $V_{SOURCE} = 0\text{ V}$, Open Load Detection Current Disabled	–	–	20	μA	
T_{LIM}	Overtemperature Shutdown	155	–	185	$^\circ\text{C}$	(8)
$T_{LIM(HYS)}$	Overtemperature Shutdown Hysteresis	5.0	10	15	$^\circ\text{C}$	(8)

Digital interface

V_{IH}	Input Logic High-voltage Thresholds	$0.7 V_{DD}$	–	$V_{DD} + 0.3$	V	(9)
V_{IL}	Input Logic Low-voltage Thresholds	$GND - 0.3$	–	$0.2 V_{DD}$	V	(9)
I_{IN5}, I_{IN6}, I_{EN}	IN5, IN6, EN Input Logic Current • IN5, IN6, EN = 0 V	-10	–	10	μA	
I_{IN5}, I_{IN6}	IN5, IN6 Pull-down Current • 0.8 to 5.0 V	30	45	100	μA	
I_{EN}	EN Pull-down Current, EN = 5.0 V • 33879 • 33879A	20 20	45 45	100 110	μA	
$I_{SCK}, I_{DI}, I_{TRI-DO}$	SCLK, DI Input, Tri-state DO Output • 0 to 5.0 V	-10	–	10	μA	
I_{CS}	\overline{CS} Input Current • $\overline{CS} = V_{DD}$	-10	–	10	μA	
I_{CS}	\overline{CS} Pull-up Current • $\overline{CS} = 0\text{ V}$	-30	–	-100	μA	
$I_{CS(LKG)}$	\overline{CS} Leakage Current to V_{DD} • $\overline{CS} = 5.0\text{ V}$, $V_{DD} = 0\text{ V}$	–	–	10	μA	
V_{DOHIGH}	DO High State Output Voltage • $I_{DO-HIGH} = -1.6\text{ mA}$	$V_{DD} - 0.4$	–	V_{DD}	V	

Notes

8. This parameter is guaranteed by design; however, it is not production tested.
9. Upper and lower logic threshold voltage levels apply to DI, \overline{CS} , SCLK, IN5, IN6, and EN.

Table 5. Static electrical characteristics (continued)

Characteristics noted under conditions $3.1\text{ V} \leq V_{DD} \leq 5.5\text{ V}$, $5.5\text{ V} \leq V_{PWR} \leq 18\text{ V}$, $-40\text{ }^\circ\text{C} \leq T_C \leq 125\text{ }^\circ\text{C}$, unless otherwise noted. Where applicable, typical values reflect the parameter's approximate average value with $V_{PWR} = 13\text{ V}$, $T_A = 25\text{ }^\circ\text{C}$.

Symbol	Characteristic	Min.	Typ.	Max.	Unit	Notes
digital interface (continued)						
V_{DOLOW}	DO Low State Output Voltage • $I_{DO-LOW} = 1.6\text{ mA}$	–	–	0.4	V	
C_{IN}	Input Capacitance on SCLK, DI, Tri-state DO, IN5, IN6, EN	–	–	20	pF	(10)

Notes

10. This parameter is guaranteed by design; however, it is not production tested.

4.3 Dynamic electrical characteristics

Table 6. Dynamic electrical characteristics

Characteristics noted under conditions $3.1\text{ V} \leq V_{DD} \leq 5.5\text{ V}$, $5.5\text{ V} \leq V_{PWR} \leq 18\text{ V}$, $-40\text{ }^\circ\text{C} \leq T_C \leq 125\text{ }^\circ\text{C}$, unless otherwise noted. Where applicable, typical values reflect the parameter's approximate average value with $V_{PWR} = 13\text{ V}$, $T_A = 25\text{ }^\circ\text{C}$.

Symbol	Characteristic	Min.	Typ.	Max.	Unit	Notes
Power output timing						
$t_{SR(RISE)}$	Output Slew Rate Low-side Configuration • $R_{LOAD} = 620\Omega$, $C_L = 200\text{pF}$	0.1	0.5	1.0	V/ μs	(11)
$t_{SR(FALL)}$	Output Slew Rate Low-side Configuration • $R_{LOAD} = 620\Omega$, $C_L = 200\text{pF}$	0.1	0.5	1.0	V/ μs	(11)
$t_{SR(RISE)}$	Output Rise Time High-side Configuration • $R_{LOAD} = 620\Omega$, $C_L = 200\text{pF}$	0.1	0.3	1.0	V/ μs	(11)
$t_{SR(FALL)}$	Output Fall Time High-side Configuration • $R_{LOAD} = 620\Omega$, $C_L = 200\text{pF}$	0.1	0.3	1.0	V/ μs	(11)
$t_{DLY(ON)}$	Output Turn ON Delay Time, High-side and Low-side Configuration	1.0	15	50	μs	(12)
$t_{DLY(OFF)}$	Output Turn OFF Delay Time, High-side and Low-side Configuration	1.0	30	100	μs	(12)
t_{FAULT}	Output Fault Delay Time	100	–	300	μs	(13)
t_{POR}	Power-ON Reset Delay • Delay Time Required from Rising Edge of EN and V_{DD} to SPI Active	100	–	–	μs	
t_{RESET}	Low-State Duration on V_{DD} or EN for Reset • V_{DD} or EN $\leq 0.2\text{ V}$	100	–	–	μs	

Digital interface timing⁽¹⁴⁾

f_{SPI}	Recommended Frequency of SPI Operation	–	4.0	–	MHz	(14)
t_{LEAD}	Falling Edge of \overline{CS} to Rising Edge of SCLK (Required Setup Time)	100	–	–	ns	
t_{LAG}	Falling Edge of SCLK to Rising Edge of \overline{CS} (Required Setup Time)	50	–	–	ns	
$t_{DI(SU)}$	DI to Falling Edge of SCLK (Required Setup Time)	16	–	–	ns	
$t_{DI(HOLD)}$	Falling Edge of SCLK to DI (Required Hold Time)	20	–	–	ns	
$t_{R(DI)}$	DI, \overline{CS} , SCLK Signal Rise Time	–	5.0	–	ns	(15)
$t_{F(DI)}$	DI, \overline{CS} , SCLK Signal Fall Time	–	5.0	–	ns	(15)
$t_{DO(EN)}$	Time from Falling Edge of \overline{CS} to DO Low-impedance	–	–	55	ns	(16)
$t_{DO(DIS)}$	Time from Rising Edge of \overline{CS} to DO High-impedance	–	–	55	ns	(17)
t_{VALID}	Time from Rising Edge of SCLK to DO Data Valid	–	25	55	ns	(18)

Notes

- Output slew rate respectively measured across a 620Ω resistive load at 10 to 90 percent and 90 to 10 percent voltage points. C_L capacitor is connected from Drain or Source output to Ground.
- Output turn ON and OFF delay time measured from 50 percent rising edge of \overline{CS} to the beginning of the 10 and 90 percent transition points.
- Duration of fault before fault bit is set. Duration between access times must be greater than $300\mu\text{s}$ to read faults.
- This parameter is guaranteed by design. Production test equipment uses 4.16 MHz, 5.5 V/3.1 V SPI interface.
- Rise and Fall time of incoming DI, \overline{CS} , and SCLK signals suggested for design consideration to prevent the occurrence of double pulsing.
- Time required for output status data to be available for use at DO pin.
- Time required for output status data to be terminated at DO pin.
- Time required to obtain valid data out from DO following the rise of SCLK.

4.4 Timing diagrams

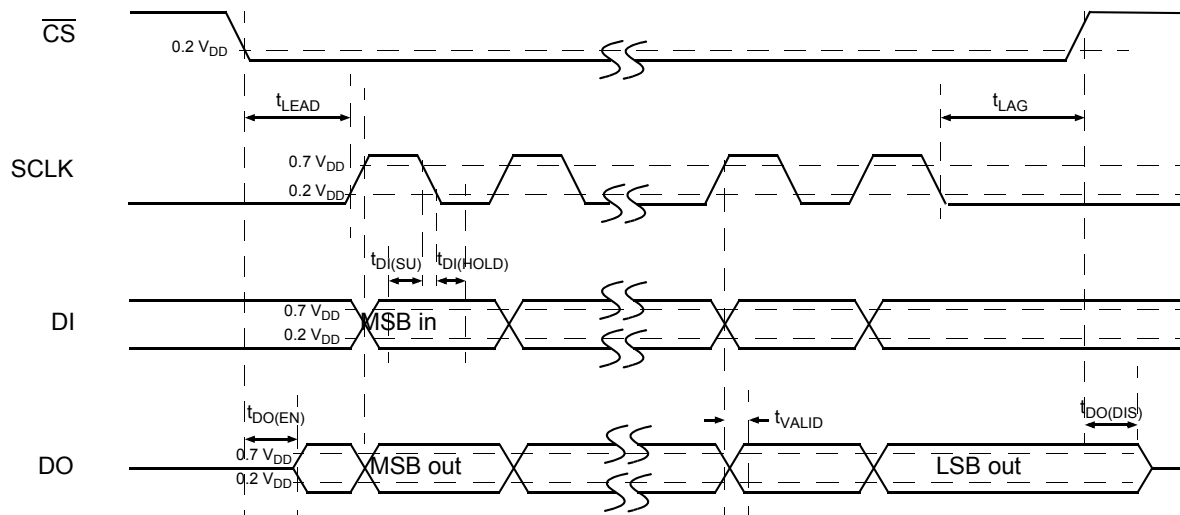
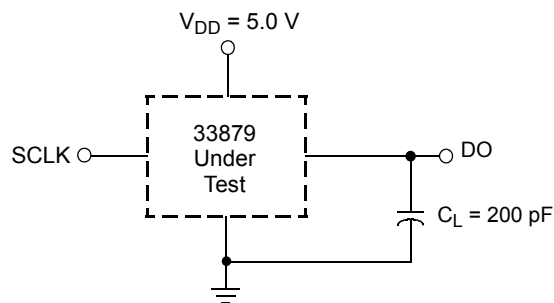


Figure 4. SPI timing diagram



NOTE: C_L represents the total capacitance of the test fixture and probe.

Figure 5. Valid data delay time and valid time test circuit

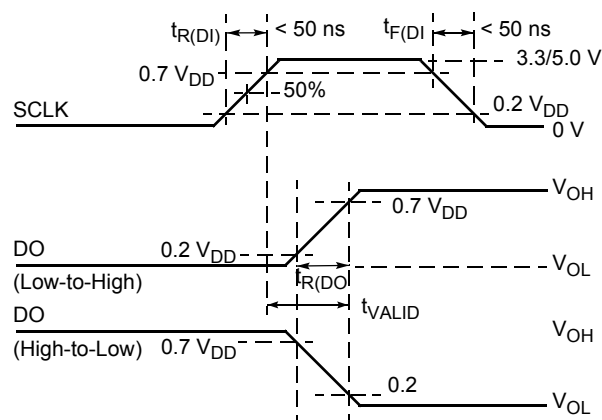


Figure 6. Valid data delay time and valid time waveforms

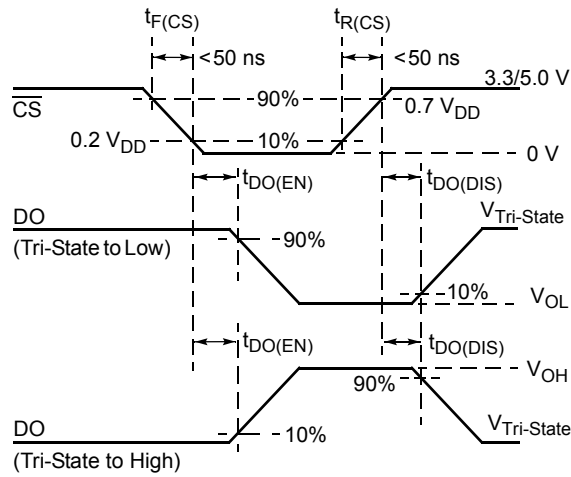


Figure 7. Enable and disable time waveforms

4.5 Typical electrical characteristics

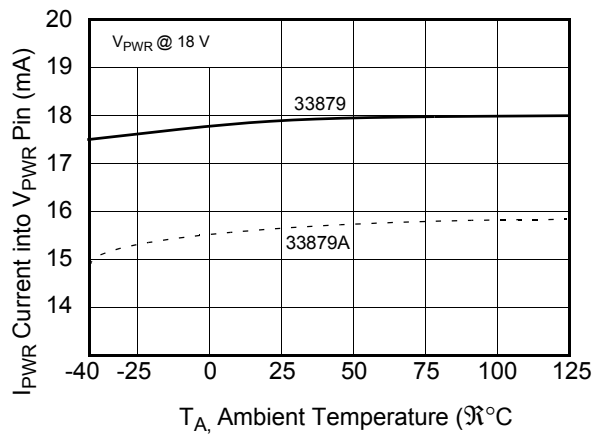


Figure 8. I_{PWR} vs. temperature

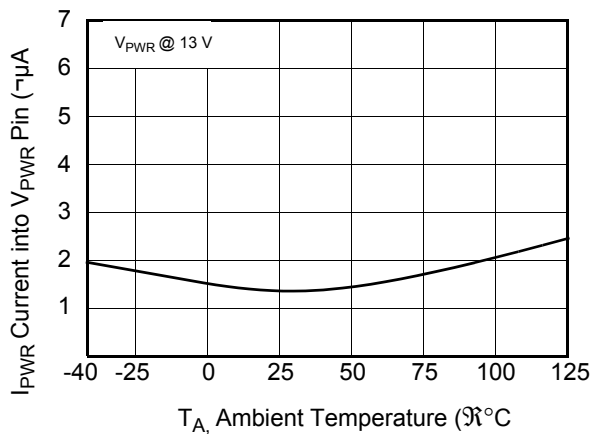


Figure 9. Sleep state I_{PWR} vs. temperature

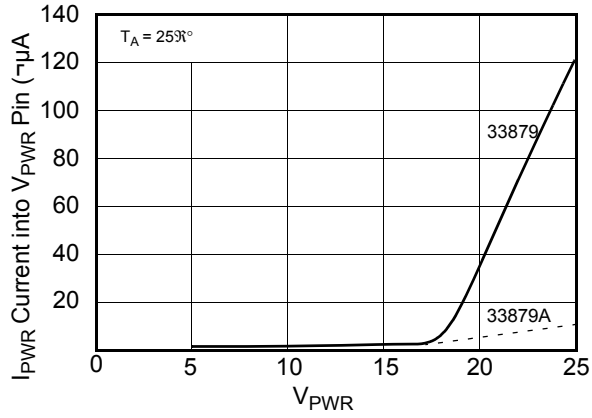


Figure 10. Sleep state I_{PWR} vs. V_{PWR}

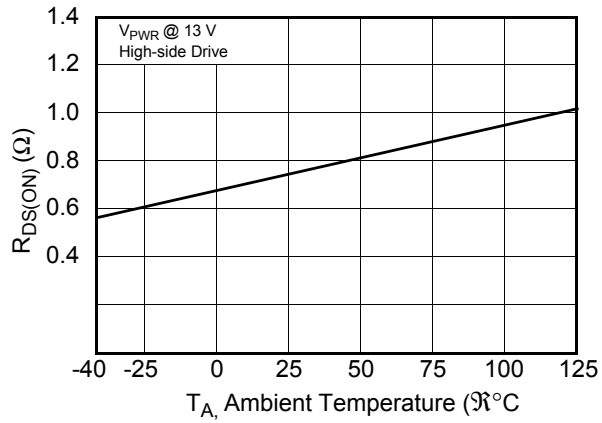


Figure 11. $R_{DS(ON)}$ vs. temperature at 350 mA

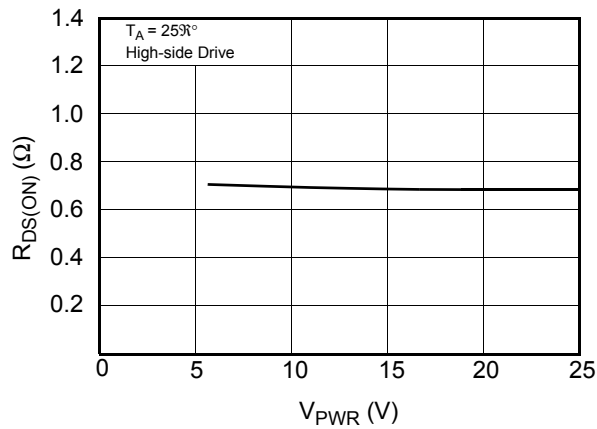


Figure 12. $R_{DS(ON)}$ vs. V_{PWR} at 350 mA

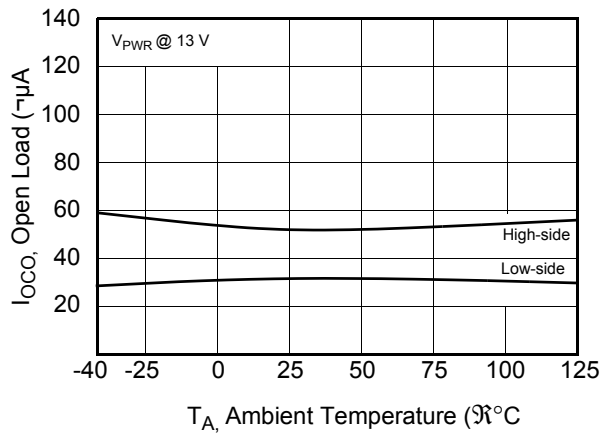


Figure 13. Open load detection current at threshold

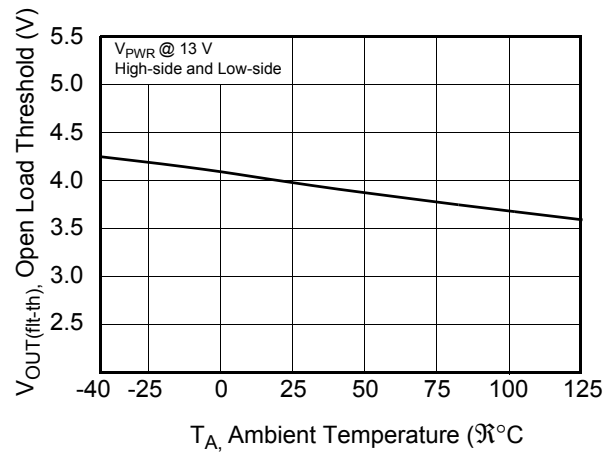


Figure 14. Open load detection threshold vs. temperature

5 Functional description

5.1 Functional pin description

5.1.1 \overline{CS} pin

The system MCU selects the 33879 with which to communicate through the use of the chip select \overline{CS} pin. Logic low on \overline{CS} enables the data output (DO) driver and allows data to be transferred from the MCU to the 33879 and vice versa. Data clocked into the 33879 is acted upon on the rising edge of \overline{CS} . To avoid any spurious data, it is essential the high-to-low transition of the \overline{CS} signal occur only when the SPI clock (SCLK) is in a logic low state.

5.1.2 SCLK pin

The SCLK pin clocks the internal shift registers of the 33879. The serial data input (DI) pin is latched into the input shift register on the falling edge of the SCLK. The serial data output (DO) pin shifts data out of the shift register on the rising edge of the SCLK signal. False clocking of the shift register must be avoided to ensure validity of data. It is essential the SCLK pin be in a logic low state when the \overline{CS} pin makes any transition. For this reason, it is recommended the SCLK pin is commanded to a logic low state when the device is not accessed (\overline{CS} in logic high state). With \overline{CS} in a logic high state, signals present on SCLK and DI are ignored and the DO output is in tri-state.

5.1.3 DI pin

The DI pin is used for serial instruction data input. DI information is latched into the input register on the falling edge of SCLK. A logic high state present on DI programs a specific output on. The specific output turns on with the rising edge of the \overline{CS} signal. Conversely, a logic low state present on the DI pin programs the output off. The specific output turns off with the rising edge of the \overline{CS} signal. To program the eight outputs and open load detection current on or off, send the DI data beginning with the open load detection current bits, followed by output eight, output seven, and so on to output one. For each falling edge of the SCLK while \overline{CS} is logic low, a data bit instruction (on or off) is loaded into the shift register per the data bit DI state. Sixteen bits of entered information is required to fill the input shift register.

5.1.4 DO pin

The DO pin is the output from the shift register. The DO pin remains tri-state until the \overline{CS} pin is in a logic low state. All faults on the 33879 device are reported as logic [1] through the DO data pin. Regardless of the configuration of the driver, open loads and shorted loads are reported as logic [1]. Conversely, normal operating outputs with non-faulted loads are reported as logic [0]. Outputs programmed with open load detection current disabled report logic [0] in the off state. The first eight positive transitions of SCLK report logic [0] followed by the status of the eight output drivers. The DI/DO shifting of data follows a first-in, first-out protocol with both input and output words transferring the most significant bit (MSB) first.

5.1.5 EN pin

The EN pin on the 33879 enables the device. With the EN pin high, output drivers may be activated and open/short fault detection performed and reported. With the EN pin low, all outputs become inactive, open load detection current is disabled, and the device enters Sleep mode. The 33879 performs Power-ON Reset on the rising edge of the enable signal.

5.1.6 IN5 and IN6 pins

The IN5 and IN6 command inputs allow outputs five and six to be used in PWM applications. The IN5 and IN6 pins are OR-ed with the serial peripheral interface (SPI) command input bits. For SPI control of outputs five and six, the IN5 and IN6 pins should be grounded or held low by the microprocessor. When using IN5 or IN6 to PWM the output, the control SPI bit must be logic [0]. Maximum PWM frequency for each output is 2.0 kHz.

5.1.7 VDD pin

The VDD input pin is used to determine logic levels on the microprocessor interface (SPI) pins. Current from VDD is used to drive the DO output and the pull-up current for \overline{CS} . V_{DD} must be applied for normal mode operation. The 33879 device performs Power-ON Reset with the application of V_{DD} .

5.1.8 VPWR pin

The V_{PWR} pin is the battery input and Power-ON Reset to the 33879 IC. The VPWR pin has internal reverse battery protection. All internal logic current is provided from the VPWR pin. The 33879 performs Power-ON Reset with the application of V_{PWR} .

5.1.9 D1–D8 pins

The D1 to D8 pins are the open-drain outputs of the 33879. For high-side drive configurations, the drain pins are connected to battery supply. In low-side drive configurations, the drain pins are connected to the low-side of the load. All outputs may be configured individually as desired. When configured as low-side drive, the 33879 limits the positive inductive transient to 45 V.

5.1.10 S1–S8 pins

The S1 to S8 pins are the source outputs of the 33879. The source pins are connected directly to the load for high-side drive configurations. In low-side drive configurations, the source is connected to ground. All outputs may be configured individually as desired. When high-side drive is used, the 33879 will limit the negative inductive transient to negative 20 V.

5.1.11 Exposed Pad pin

Device performs as specified with the Exposed Pad un-terminated (floating) however, it is recommended the Exposed Pad be terminated to pin 1 (GND) and system ground.

5.2 MCU interface description

5.2.1 Introduction

The 33879 is an eight output hardware-configurable power switch with 16-bit serial control. A simplified internal block diagram of the 33879 is shown in [Figure 2](#). The 33879 device uses high-efficiency up-drain power DMOS output transistors exhibiting low drain-to-source ON resistance ($R_{DS(on)} = 0.75 \Omega$ at 25 °C typical) and dense CMOS control logic. All outputs have independent voltage clamps to provide fast inductive turn-off and transient protection.

In operation, the 33879 functions as an eight output serial switch, serving as an MCU bus expander and buffer with fault management and fault reporting features. In doing so, the device directly relieves the MCU of the fault management functions. This device directly interfaces to an MCU using a SPI for control and diagnostic readout. [Figure 15](#) illustrates the basic SPI configuration between an MCU and one 33879.

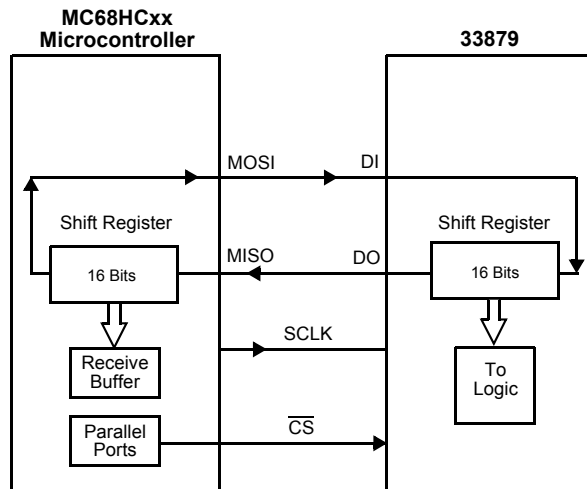


Figure 15. SPI interface with microcontroller

All inputs are compatible with 5.0 V and 3.3 V CMOS logic levels and incorporate positive logic. When a SPI bit is programmed to a logic [0], the corresponding output is OFF. Conversely, when a SPI bit is programmed to logic [1] the output being controlled is ON. Diagnostics are treated in a similar manner. Outputs with a fault feed back (via DO) a logic [1] to the microcontroller, while normal operating outputs provide a logic [0].

Figure 16 illustrates the daisy chain configuration using the 33879. Data from the MCU is clocked daisy chain through each device while the CS bit is commanded low by the MCU. During each clock cycle, output status from the daisy chain is transferred to the MCU via the Master In Slave Out (MISO) line. On rising edge of CS, command data stored in the input register is then transferred to the output driver.

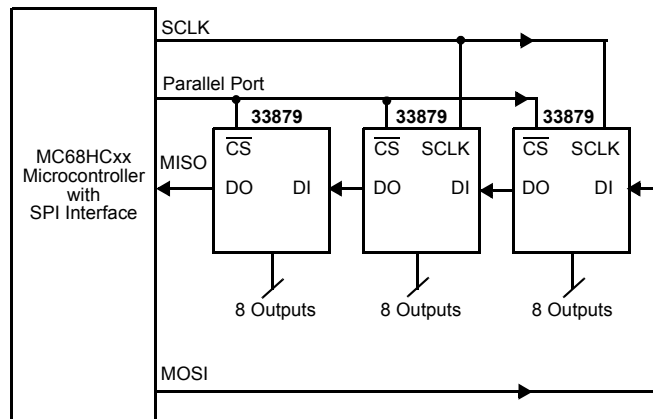


Figure 16. 33879 SPI system daisy chain

Multiple 33879 devices can be controlled in a parallel input fashion using the SPI. Figure 17 illustrates the control of 24 loads using three dedicated parallel MCU ports for chip select.

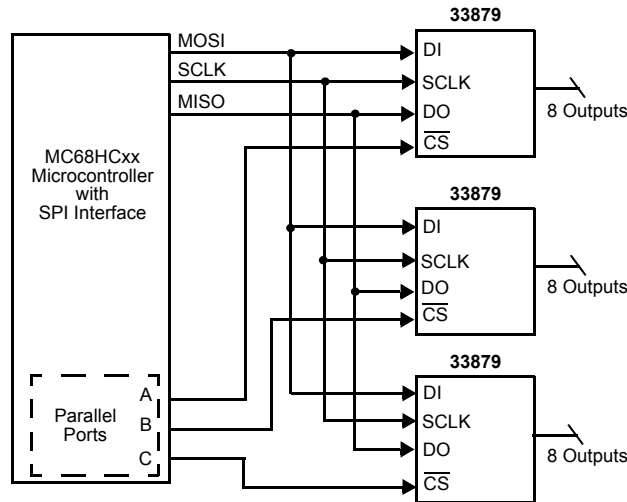


Figure 17. Parallel input SPI control

5.3 SPI definition

A 16-bit command word is sent to the 33879 on each SPI communication and a 16-bit status word is received from the 33879. The MSB is sent and received first. As Table 7 shows, the Command Register defines the position and operation the 33879 performs on the rising edge of \overline{CS} . The Fault Register, shown in Table 8, defines the previous state status of the output driver. Table 9 identifies the type of fault and the method by which the fault is communicated to the microprocessor

Table 7. Command register definition

MSB															LSB
Bit 15	Bit 14	Bit 13	Bit 12	Bit 11	Bit 10	Bit 9	Bit 8	Bit 7	Bit 6	Bit 5	Bit 4	Bit 3	Bit 2	Bit 1	Bit 0
ON/ OFF	ON/ OFF	ON/ OFF	ON/ OFF	ON/ OFF	ON/ OFF	ON/ OFF	ON/ OFF	ON/ OFF	ON/ OFF	ON/ OFF	ON/ OFF	ON/ OFF	ON/ OFF	ON/ OFF	ON/ OFF
Open Load Detect	Open Load Detect	Open Load Detect	Open Load Detect	Open Load Detect	Open Load Detect	Open Load Detect	Open Load Detect	Open Load Detect	OUT 8	OUT 7	OUT 6	OUT 5	OUT 4	OUT 3	OUT 2
8	7	6	5	4	3	2	1								1

0 = Bits 0 to 7, Output commanded OFF.

0 = Bits 8 to 15, Open Load Detection Current OFF.

1 = Bits 0 to 7, Output commanded ON.

1 = Bits 8 to 15 Open Load Detection Current ON.

Table 8. Fault register definition

MSB															LSB
Bit 15	Bit 14	Bit 13	Bit 12	Bit 11	Bit 10	Bit 9	Bit 8	Bit 7	Bit 6	Bit 5	Bit 4	Bit 3	Bit 2	Bit 1	Bit 0
0	0	0	0	0	0	0	0	OUT 8 Status	OUT 7 Status	OUT 6 Status	OUT 5 Status	OUT 4 Status	OUT 3 Status	OUT 2 Status	OUT 1 Status

0 = Bits 0 to 7, No Fault at Output.

1 = Bits 0 to 7, Output Short-to-Battery, Short-to-GND, Open Load, or T_{LIM} .

Bits 8 to 15 will always return "0".

Table 9. Fault operation**Serial output (DO) pin reports**

Overtemperature	Fault reported by serial output (DO) pin.
Overcurrent	DO pin reports short to battery/supply or overcurrent condition.
Output ON Open Load Fault	Not reported.
Output OFF Open Load Fault	DO pin reports output OFF open load condition only with Open Load Detection Current enabled. DO pin will report "0" for Output OFF Open Load Fault with Open Load Detection Current disabled.

Device shutdowns

Overvoltage	Total device shutdown at $V_{PWR} = V_{PWR(OV)}$ V. Resumes normal operation with proper voltage. All outputs assuming the previous state upon recovery from overvoltage.
Overtemperature	Only the output experiencing an overtemperature shuts down. Output assumes previous state upon recovery from overtemperature.

5.4 Device operation

5.4.1 Power supply

The 33879 device has been designed with ultra-low Sleep mode currents. The device may enter Sleep mode via the EN pin or the VDD pin. In the Sleep mode (EN or $VDD \leq 0.8$ V), the current consumed by the VPWR pin is less than 5.0 μ A. Placing the 33879 in Sleep mode resets the internal registers to the Power-ON Reset state. The reset state is defined as all outputs off and open load detection current disabled. To place the 33879 in the Sleep mode, either command all outputs off and apply logic low to the EN input pin or remove power from the VDD supply pin. Prior to removing V_{DD} from the device, it is recommended that all control inputs from the MCU be low.

5.4.2 Paralleling of outputs

Using MOSFETs as an output switch conveniently allows the paralleling of outputs for increased current capability. $R_{DS(on)}$ of MOSFETs have an inherent positive temperature coefficient providing balanced current sharing between outputs without destructive operation. This mode of operation may be desirable in the event the application requires lower power dissipation or the added capability of switching higher currents. Performance of parallel operation results in a corresponding decrease in $R_{DS(on)}$, while the output OFF open load detection currents and the output current limits increase correspondingly. Paralleling outputs from two or more different IC devices is possible, but not recommended.

5.4.3 Fault logic operation

Fault logic of the 33879 device has been greatly simplified over other devices using SPI communications. As command word one is being written into the shift register, a fault status word is being simultaneously written out and received by the MCU. Regardless of the configuration, with no outputs faulted and open load detection current enabled, all status bits being received by the MCU are zero. When outputs are faulted (off state open circuit or on state short-circuit/overtemperature), the status bits being received by the MCU are one. The distinction between open circuit fault and short/overtemperature is completed via the command word. For example, when a zero command bit is sent and a one fault is received in the following word, the fault is open/short-to-battery for high-side drive or open/short-to-ground for low-side drive. In the same manner, when a one command bit is sent and a one fault is received in the following word, the fault is a short-to-ground/overtemperature for high-side drive or short-to-battery/overtemperature for low-side drive. The timing between two write words must be greater than 300 μ s to allow adequate time to sense and report the proper fault status.

5.4.4 SPI integrity check

Checking the integrity of the SPI communication with the initial power-up of the VDD and EN pins is recommended. After initial system start-up or reset, the MCU writes one 32-bit pattern to the 33879. The first 16 bits read by the MCU are 8 logic [0]s followed by the fault status of the outputs. The second 16 bits are the same bit pattern sent by the MCU. By the MCU receiving the same bit pattern it sent, bus integrity is confirmed. Note the second 16-bit pattern the MCU sends to the device is the command word and is transferred to the outputs with rising edge of \overline{CS} . Important: A SCLK pulse count strategy has been implemented to ensure integrity of SPI communications. SPI messages consisting of 16 SCLK pulses and multiples of 8 clock pulses thereafter are acknowledged. SPI messages consisting of other than 16 + multiples of 8 SCLK pulses are ignored by the device.

5.4.5 Overtemperature fault

Overtemperature detection and shutdown circuits are specifically incorporated for each individual output. The shutdown following an overtemperature condition is independent of the system clock or any other logic signal. Each independent output shuts down at 155 °C to 185 °C. When an output shuts down owing to an overtemperature fault, no other outputs are affected. The MCU recognizes the fault by a one in the fault status register. After the 33879 device has cooled below the switch point temperature and 15 °C hysteresis, the output activates unless otherwise told to shut down by the MCU via the SPI.

5.4.6 Overvoltage fault

An overvoltage condition on the VPWR pin causes the device to shut down all outputs until the overvoltage condition is removed. When the overvoltage condition is removed, the outputs resume their previous state. This device does not detect an overvoltage on the VDD pin. The overvoltage threshold on the VPWR pin is specified as $V_{PWR(OV)}$ V, with 1.0 V typical hysteresis. A V_{PWR} overvoltage detection is global, causing all outputs to be turned OFF.

5.4.7 Output off open load fault

An output OFF open load fault is the detection and reporting of an open load when the corresponding output is disabled (input bit programmed to a logic low state). The Output OFF Open Load fault is detected by comparing the drain-to-source voltage of the specific MOSFET output to an internally generated reference. Each output has one dedicated comparator for this purpose. An output OFF open load fault is indicated when the drain-to-source voltage is less than the output threshold voltage ($V_{OUT(FLT-TH)}$) of 2.5 V to 4.0 V. Hence, the 33879 declares the load open in the OFF state when the output drain-to-source voltage is less than $V_{OUT(FLT-TH)}$.

This device has an internal 80 μ A current source connected from drain to source of the output MOSFET. The current source may be programmed on or off via the SPI. The Power-ON Reset state for the current source is "off" and must be enabled via the SPI. To achieve low Sleep mode quiescent currents, the open load detection current source of each driver is switched off when VDD or EN is removed.

During output switching, especially with capacitive loads, a false output OFF open load fault may be triggered. To prevent this false fault from being reported, an internal fault filter of 100 μ s to 300 μ s is incorporated. A false fault reporting is a function of the load impedance, $R_{DS(on)}$, C_{OUT} of the MOSFET, as well as the supply voltage, V_{PWR} . The rising edge of \overline{CS} triggers the built-in fault delay timer. The timer times out before the fault comparator is enabled and the fault is detected. Once the condition causing the open load fault is removed, the device resumes normal operation. The open load fault, however, is latched in the output DO register for the MCU to read.

5.4.8 Shorted load fault

A shorted load (overcurrent) fault can be caused by any output being shorted directly to supply, or an output experiencing a current greater than the current limit. There are two safety circuits progressively in operation during load short conditions providing system protection:

1. The device's output current is monitored in an analog fashion using SENSEFET approach and current limited.
2. The device's output thermal limit is sensed and when attained causes only the specific faulted output to shutdown. The output remains off until cooled. The device then reasserts the output automatically. The cycle continues until fault is removed or the command bit instructs the output off. Shorted load faults are reported properly through the SPI regardless of open load detection current enable bits.

5.4.9 Undervoltage shutdown

An undervoltage condition on VDD or VPWR results in the shutdown of all outputs. The V_{DD} undervoltage threshold is between 0.8 and 3.0 V. V_{PWR} undervoltage threshold is between 3.0 V and 5.0 V. When the supplies fall below their respective thresholds, all outputs are turned OFF. As both supplies returns to normal levels, internal logic is reset and the device resumes normal operation.

5.4.10 Output voltage clamp

Each output of the 33879 incorporates an internal voltage clamp to provide fast turn-off and transient protection of each output. Each clamp independently limits the drain-to-source voltage to 45 V for low-side drive configurations and -20 V for high-side drive configurations. The total energy clamped (E_J) can be calculated by multiplying the current area under the current curve (I_A) times the clamp voltage (V_{CL}) (see Figure 18). Characterization of the output clamps, using a single pulse non-repetitive method at 0.35 A, indicates the maximum energy per output to be 50 mJ at 150°C junction temperature.

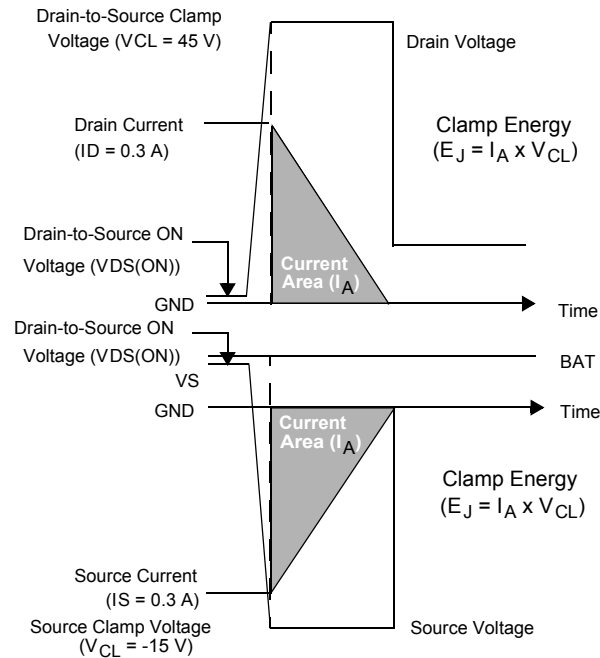


Figure 18. Output Voltage Clamping

5.4.11 SPI configurations

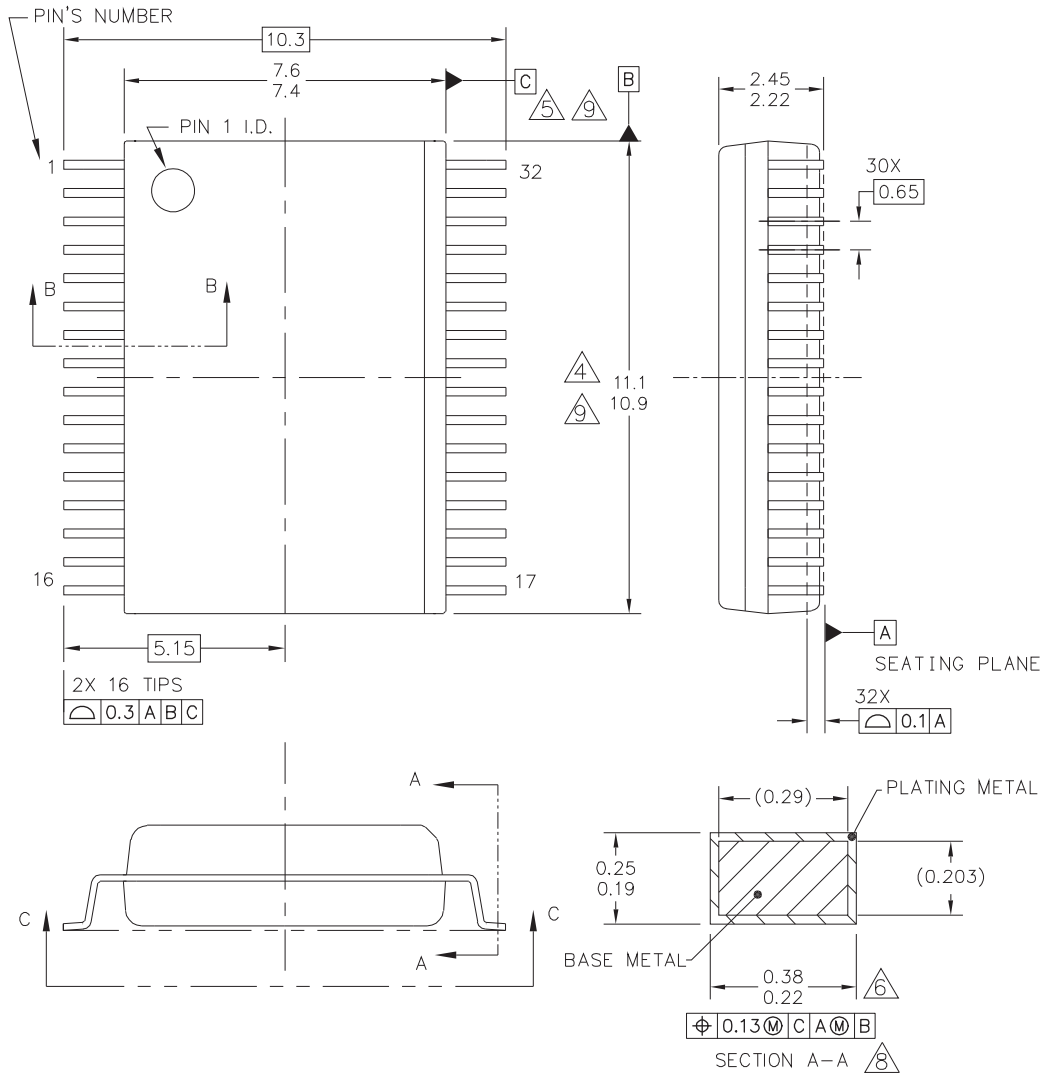
The SPI configuration on the 33879 device is consistent with other devices in the Octal Serial Switch (OSS) family. This device may be used in serial SPI or parallel SPI with the 33298 and 33291. Different SPI configurations may be provided. For more information, contact NXP Analog Products Division or the local NXP representative.

5.4.12 Reverse battery

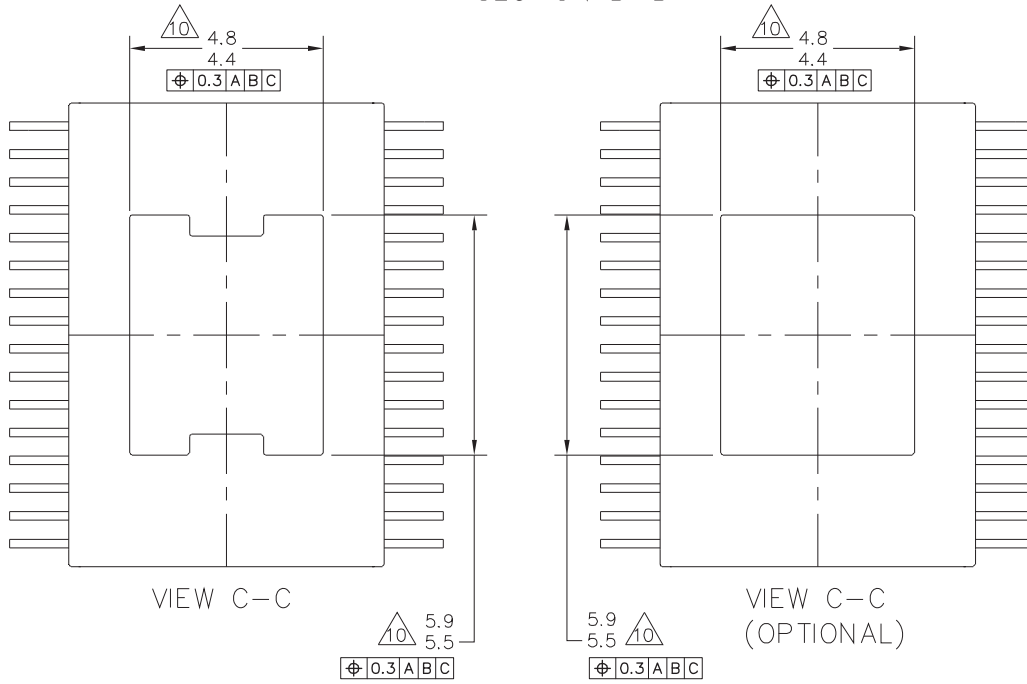
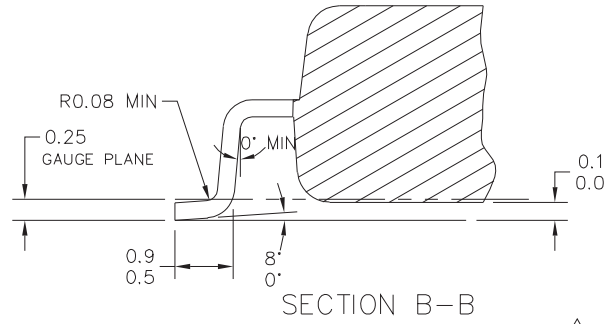
The 33879 has been designed with reverse battery protection on the VPWR pin. All outputs consist of a power MOSFET with an integral substrate diode. During the reverse battery condition, current flows through the load via the substrate diode. Under this circumstance, relays may energize and lamps turn on. Where load reverse battery protection is desired, a reverse battery blocking diode must be placed in series with the load.

6 Package dimensions

Important: For the most current revision of the package, visit www.nxp.com and perform a keyword search using the "98ARL10543D" drawing number listed below. Dimensions shown are provided for reference ONLY.



© NXP SEMICONDUCTORS N. V. ALL RIGHTS RESERVED	MECHANICAL OUTLINE	PRINT VERSION NOT TO SCALE
TITLE: 32LD SOIC W/B, 0.65 PITCH 5.7 X 4.6 EXPOSED PAD CASE OUTLINE	DOCUMENT NO: 98ARL10543D	REV: F
	STANDARD: NON-JEDEC	
	SOT1746-1	01 FEB 2016



© NXP SEMICONDUCTORS N. V. ALL RIGHTS RESERVED	MECHANICAL OUTLINE	PRINT VERSION NOT TO SCALE
TITLE: 32LD SOIC W/B, 0.65 PITCH 5.7 X 4.6 EXPOSED PAD CASE OUTLINE	DOCUMENT NO: 98ARL10543D	REV: F
	STANDARD: NON-JEDEC	
	SOT1746-1	01 FEB 2016



NOTES:

1. DIMENSIONS ARE IN MILLIMETERS.
2. DIMENSIONING AND TOLERANCING PER ASME Y14.5M-1994.
3. DATUMS B AND C TO BE DETERMINED AT THE PLANE WHERE THE BOTTOM OF THE LEADS EXIT THE PLASTIC BODY.
4. THIS DIMENSION DOES NOT INCLUDE MOLD FLASH, PROTRUSION OR GATE BURRS. MOLD FLASH, PROTRUSION OR GATE BURRS SHALL NOT EXCEED 0.15 MM PER SIDE. THIS DIMENSION IS DETERMINED AT THE PLANE WHERE THE BOTTOM OF THE LEADS EXIT THE PLASTIC BODY.
5. THIS DIMENSION DOES NOT INCLUDE INTER-LEAD FLASH OR PROTRUSIONS. INTER-LEAD FLASH AND PROTRUSIONS SHALL NOT EXCEED 0.25 MM PER SIDE. THIS DIMENSION IS DETERMINED AT THE PLANE WHERE THE BOTTOM OF THE LEADS EXIT THE PLASTIC BODY.
6. THIS DIMENSION DOES NOT INCLUDE DAMBAR PROTRUSION. ALLOWABLE DAMBAR PROTRUSION SHALL NOT CAUSE THE LEAD WIDTH TO EXCEED 0.4 mm. DAMBAR CANNOT BE LOCATED ON THE LOWER RADIUS OR THE FOOT. MINIMUM SPACE BETWEEN PROTRUSION AND ADJACENT LEAD SHALL NOT LESS THAN 0.07 mm.
7. EXACT SHAPE OF EACH CORNER IS OPTIONAL.
8. THESE DIMENSIONS APPLY TO THE FLAT SECTION OF THE LEAD BETWEEN 0.10 mm AND 0.3 mm FROM THE LEAD TIP.
9. THE PACKAGE TOP MAY BE SMALLER THAN THE PACKAGE BOTTOM. THIS DIMENSION IS DETERMINED AT THE OUTERMOST EXTREMES OF THE PLASTIC BODY EXCLUSIVE OF MOLD FLASH, TIE BAR BURRS, GATE BURRS AND INTER-LEAD FLASH, BUT INCLUDING ANY MISMATCH BETWEEN THE TOP AND BOTTOM OF THE PLASTIC BODY.
10. THESE DIMENSIONS RANGES DEFINE THE PRIMARY KEEP-OUT AREA. MOLD LOCKING AND RESIN BLEED CONTROL FEATURES MAY BE VISIBLE AND THEY MAY EXTEND TO 0.9mm FROM MAXIMUM EXPOSED PAD SIZE

© NXP SEMICONDUCTORS N. V. ALL RIGHTS RESERVED	MECHANICAL OUTLINE	PRINT VERSION NOT TO SCALE
TITLE: 32LD SOIC W/B, 0.65 PITCH 5.7 X 4.6 EXPOSED PAD CASE OUTLINE	DOCUMENT NO: 98ARL10543D	REV: F
	STANDARD: NON-JEDEC	
	SOT1746-1	01 FEB 2016

7 Revision history

Revision	Date	Description of changes
5.0	2/2006	<ul style="list-style-type: none"> • Page 2, Figure 1; An exposed pad internal block and EP pin have been added to the internal block diagram. • Page 4, Table 1; Table 1 has been updated to reflect the Exposed pad pin and pin definition. • Page 6, Table 3; Logic Supply Sleep State Hysteresis and Note 7 have been removed. The VDD Supply contains no hysteresis. • Page 7, Table 3; Output Fault Detection Current @ Threshold, High-Side Configuration Max parameter has been increased from 70uA to 90uA. • Page 7, Table 3; Output OFF Open Load Detection Current, High-Side Configuration has been updated to reflect the voltage of the VPWR pin during the parameter test. • Page 7, Table 3; Output OFF Open Load Detection Current, Low-Side Configuration has been updated to reflect the voltage of the VPWR pin during the parameter test. • Page 7, Table 3; Output Leakage Current High-Side and Low-Side Configuration Max parameter has been decreased from 7uA to 5uA. • Page 15, Functional Pin Description; A description has been added for the Exposed Pad pin. • Page 1, Device isometric; Corrected orientation of IC pin 1 from top left to bottom right. • ALL Pages; Updated Data Sheet to reflect Freescale formatting.
6.0	6/2007	<ul style="list-style-type: none"> • Added 33879A version • Added MCZ33879EK/R2 and MCZ33879AEK/R2 to the Ordering Information • Added Device variations on page 2 • Removed Peak Package Reflow Temperature During Reflow (solder reflow) parameter from Maximum Ratings on page 6. Added note with instructions from www.freescale.com. • Changed Output Fault Detection Voltage Threshold Outputs Programmed OFF on page 7 • Renumbered X axis on Figure 14 - Open load detection threshold vs. temperature on page 14 • Changed Overvoltage on page 19 and Overvoltage fault on page 20
7.0	8/2008	<ul style="list-style-type: none"> • Updated package drawing.
8.0	10/2009	<ul style="list-style-type: none"> • Updated data sheet status from Advance Information to Technical Data • Updated to the current Freescale form and style
9.0	5/2012	<ul style="list-style-type: none"> • Removed MC33879EK from the ordering information • Removed MCZ33879AEK and added MC33879APEK to the ordering information • Removed MCZ33879EK and added MC33879TEK to the ordering information • Updated Output Fault Detection Current @ Threshold, High-side Configuration Outputs Programmed OFF on page 7 • Updated Output OFF Open Load Detection Current, High-side Configuration on page 7 • Updated Output OFF Open Load Detection Current, Low-side Configuration on page 8 • Updated EN Pull-down Current, EN = 5.0 V on page 8 • Updated the Freescale form and style
10.0	6/2012	<ul style="list-style-type: none"> • Updated Output Fault Detection Voltage Threshold Outputs Programmed OFF on page 7 • Updated Output Fault Detection Current @ Threshold, Low-side Configuration Outputs Programmed OFF on page 7 • Updated the max limit for Output Fault Detection Current @ Threshold, High-side Configuration Outputs Programmed OFF on page 7
	4/2013	<ul style="list-style-type: none"> • No technical changes. Revised back page. Updated document properties.
11.0	11/2015	<ul style="list-style-type: none"> • Changed feature on page 1 to Designed to operate $5.5\text{ V} \leq V_{\text{PWR}} \leq 27.5\text{ V}$ • Updated Freescale form and style.
	7/2016	<ul style="list-style-type: none"> • Updated to NXP document form and style

How to Reach Us:**Home Page:**[NXP.com](http://www.nxp.com)**Web Support:**<http://www.nxp.com/support>

Information in this document is provided solely to enable system and software implementers to use NXP products. There are no expressed or implied copyright licenses granted hereunder to design or fabricate any integrated circuits based on the information in this document. NXP reserves the right to make changes without further notice to any products herein.

NXP makes no warranty, representation, or guarantee regarding the suitability of its products for any particular purpose, nor does NXP assume any liability arising out of the application or use of any product or circuit, and specifically disclaims any and all liability, including without limitation, consequential or incidental damages. "Typical" parameters that may be provided in NXP data sheets and/or specifications can and do vary in different applications, and actual performance may vary over time. All operating parameters, including "typicals," must be validated for each customer application by the customer's technical experts. NXP does not convey any license under its patent rights nor the rights of others. NXP sells products pursuant to standard terms and conditions of sale, which can be found at the following address:

<http://www.nxp.com/terms-of-use.html>.

NXP, the NXP logo, Freescale, the Freescale logo and SMARTMOS are trademarks of NXP B.V. All other product or service names are the property of their respective owners. All rights reserved.

© 2016 NXP B.V.

Document Number: MC33879
Rev. 11.0
7/2016



Looking for pricing, stock, or lifecycle information?

Click below to explore more details on WIN SOURCE:

 [View MC33879APEKR2 on WIN SOURCE](#)

 [NXP / Nexperia Information](#)

Optimize Your Supply Chain with WIN SOURCE Solutions

-  Global Sourcing Solution
-  Obsolete Management
-  Cost Control Management
-  Shortage Management
-  Alternative Solution
-  Excess Inventory Management