



**THE DATASHEET OF
PS9817-1-F3-A**





**NEC's HIGH CMR, 10Mbps
OPEN COLLECTOR OUTPUT TYPE PS9817-1,-2
8-PIN SSOP (SO-8) HIGH-SPEED OPTOCOUPLER**

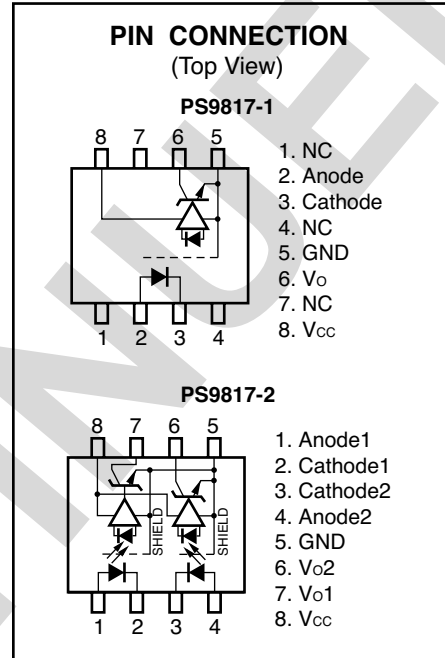
DESCRIPTION

NEC's PS9817-1 and PS9817-2 are active-low type high-speed photocouplers that use a GaAlAs light-emitting diode on the input side and a photodetector IC that includes a photodiode and a signal processor on the same chip on the output side.

NEC's PS9817-1 and PS9817-2 are designed specifically for high common mode transient immunity (CMR) and low pulse width distortion, The PS9817-2 is suitable for high density applications.

FEATURES

- **PULSE WIDTH DISTORTION:**
tPHL - tPLH = 35 ns MAX.
- **HIGH COMMON MODE TRANSIENT IMMUNITY:**
CMH, CML = ±15 kV/μs MIN.
- **40% REDUCTION OF MOUNTING AREA:**
5-Pin SOP x 2
- **HIGH SPEED:**
10 Mbps
- **HIGH ISOLATION VOLTAGE:**
BV = 2 500 Vr.m.s.
- **OPEN COLLECTOR OUTPUT**
- **ORDERING NUMBER OF TAPING PRODUCT:**
PS9817-1-F3, F4: 1 500 pcs/reel
PS9817-2-F3, F4: 1 500 pcs/reel
- **Pb-Free Product**
- **SAFETY STANDARDS:**
UL approved: File No. E72422
DIN EN60747-5-2 (VDE0884 Part2) approved No. 40008347 (option)



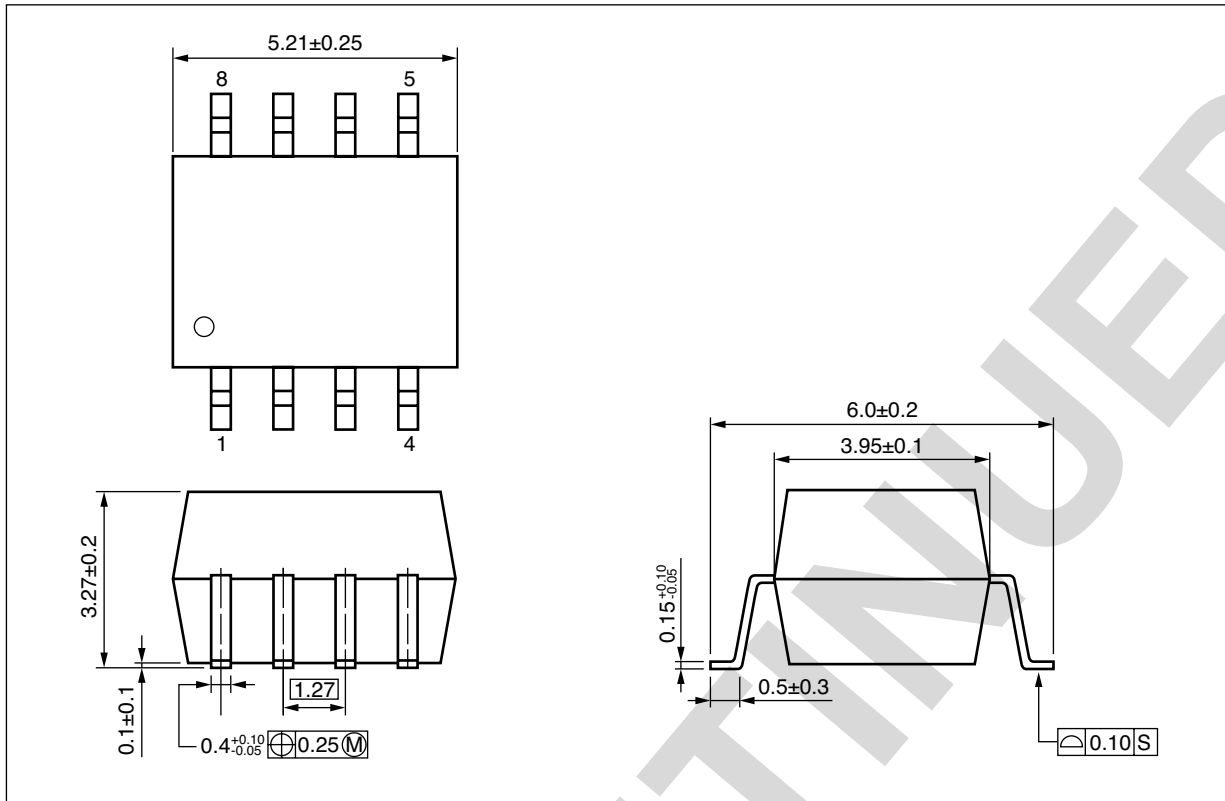
TRUTH TABLE

LED	OUTPUT
ON	L
OFF	H

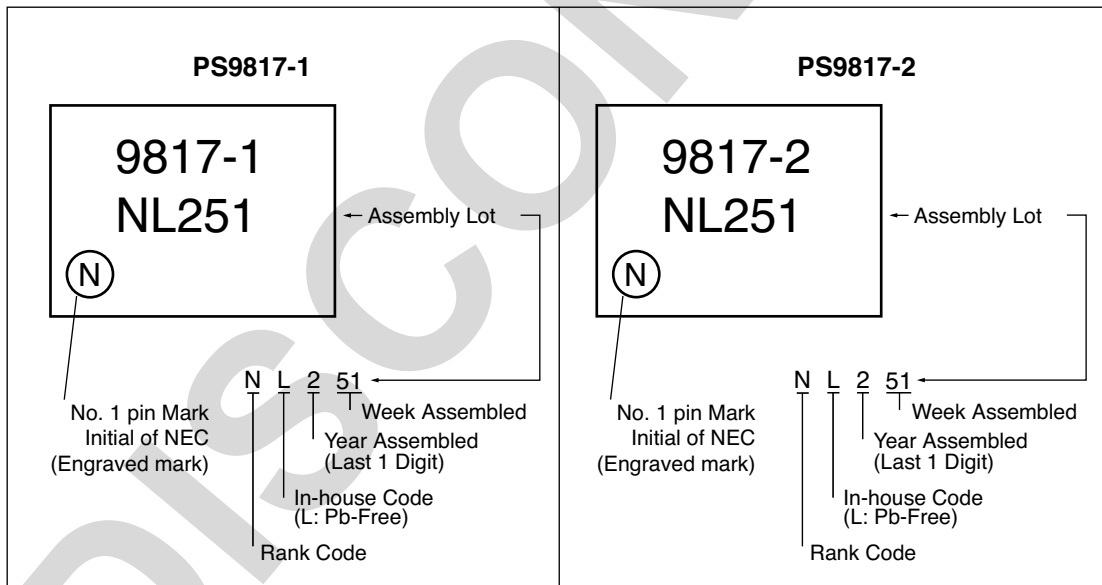
APPLICATION

- Measurement Equipment
- PDP
- FA Network

PACKAGE DIMENSIONS (UNIT: mm)



MARKING EXAMPLE



ORDERING INFORMATION

PART NUMBER	ORDER NUMBER	SOLDER PLATING SPECIFICATION	PACKING STYLE	SAFETY STANDARDS APPROVAL	APPLICATION PART NUMBER ^{*1}
PS9817-1	PS9817-1-A	Pb-Free ^{*2}	20 pcs (Tape 20 pcs cut)	Standard products (UL approved)	PS9817-1
PS9817-1-F3	PS9817-1-F3-A		Embossed Tape 1500 pcs/reel		
PS9817-1-F4	PS9817-1-F4-A				
PS9817-2	PS9817-2-A		20 pcs (Tape 20 pcs cut)		
PS9817-2-F3	PS9817-2-F3-A		Embossed Tape 1500 pcs/reel	DIN EN60747-5-2 (VDE0884 Part2) approved (Option)	PS9817-1
PS9817-2-F4	PS9817-2-F4-A				
PS9817-1-V	PS9817-1-V-A		20 pcs (Tape 20 pcs cut)		
PS9817-1-V-F3	PS9817-1-V-F3-A		Embossed Tape 1500 pcs/reel		
PS9817-1-V-F4	PS9817-1-V-F4-A			PS9817-2	
PS9817-2-V	PS9817-2-V-A		20 pcs (Tape 20 pcs cut)		
PS9817-2-V-F3	PS9817-2-V-F3-A		Embossed Tape 1500 pcs/reel		
PS9817-2-V-F4	PS9817-2-V-F4-A				

*1 For the application of the Safety Standard, following part number should be used.

*2 With regards to terminal solder (the solder contains lead) plated products (conventionally plated), contact your nearby sales office.

ABSOLUTE MAXIMUM RATINGS ($T_A = 25^\circ\text{C}$, unless otherwise Specified)

PARAMETER		SYMBOL	RATINGS		UNIT
			PS9817-1	PS9817-2	
Diode	Forward Current	I_F	20^{*1}	15^{*2}	mA
	Reverse Voltage	V_R	5		V/ch
Detector	Supply Voltage	V_{CC}	7		V
	Output Voltage	V_O	7		V/ch
	Output Current	I_O	25		mA/ch
	Power Dissipation ^{*3}	P_C	40		mW/ch
Isolation Voltage ^{*4}		BV	2 500		Vr.m.s.
Operating Ambient Temperature		T_A	-40 to +85		$^\circ\text{C}$
Storage Temperature		T_{stg}	-55 to +125		$^\circ\text{C}$

*1 Reduced to 0.3 mA/ $^\circ\text{C}$ at $T_A = 60^\circ\text{C}$ or more.

*2 Reduced to 0.1 mA/ $^\circ\text{C}$ at $T_A = 60^\circ\text{C}$ or more.

*3 Applies to output pin V_O (collector pin). Reduced to 1.5 mW/ $^\circ\text{C}$ at $T_A = 65^\circ\text{C}$ or more.

*4 AC voltage for 1 minute at $T_A = 25^\circ\text{C}$, RH = 60% between input and output.

RECOMMENDED OPERATING CONDITIONS

PARAMETER	SYMBOL	MIN.	TYP.	MAX.	UNIT
Low Level Input Voltage	V_{FL}	0		0.8	V
High Level Input Current	I_{FH}	6.3	10	12.5	mA
Supply Voltage	V_{CC}	4.5		5.5	V
Pull-up Resistance	R_L	330		4 k	Ω
TLL ($R_L = 1.0\text{ k}\Omega$, loads)	N			5	

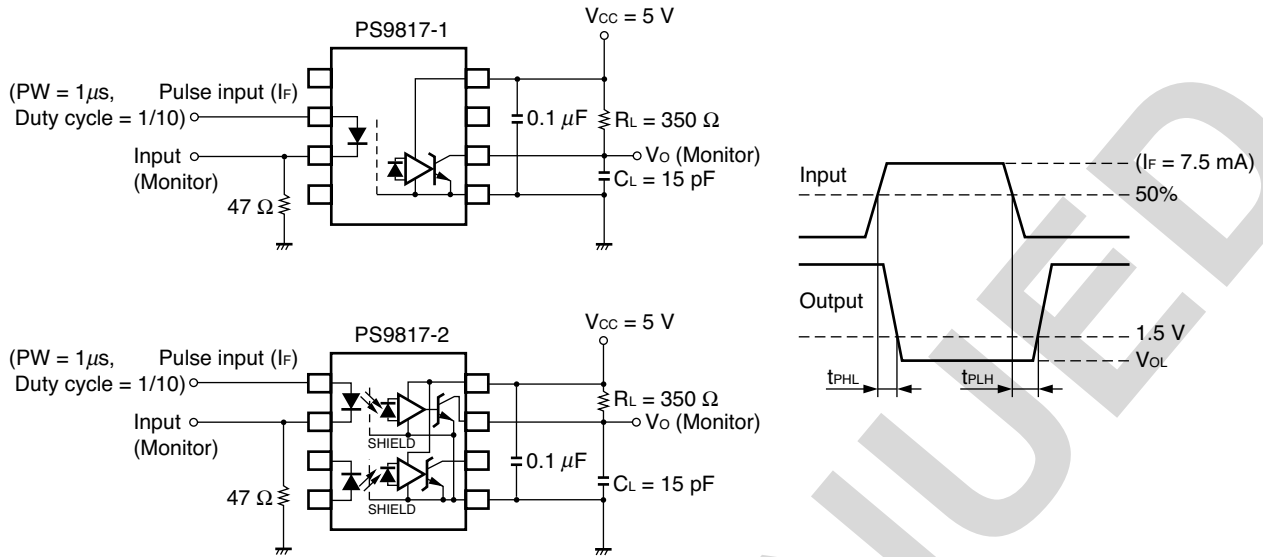
ELECTRICAL CHARACTERISTICS ($T_A = -40$ to 85°C , unless otherwise specified)

	PARAMETER	SYMBOL	CONDITIONS	MIN.	TYP. *1	MAX.	UNIT	
Diode	Forward Voltage	V_F	$I_F = 10 \text{ mA}$, $T_A = 25^\circ\text{C}$	1.4	1.65	1.8	V	
	Reverse Current	I_R	$V_R = 3.0 \text{ V}$, $T_A = 25^\circ\text{C}$			10	μA	
	Terminal Capacitance	C_t	$V_F = 0 \text{ V}$, $f = 1 \text{ MHz}$, $T_A = 25^\circ\text{C}$		30		pF	
Detector	High Level Output Current	I_{OH}	$V_{CC} = V_O = 5.5 \text{ V}$, $V_F = 0.8 \text{ V}$		1	100	μA	
	Low Level Output Voltage *2	V_{OL}	$V_{CC} = 5.5 \text{ V}$, $I_F = 5.0 \text{ mA}$, $I_{OL} = 13 \text{ mA}$		0.2	0.6	V	
	High Level Supply Current (PS9817-1)	I_{CCH}	$V_{CC} = 5.5 \text{ V}$, $I_F = 0 \text{ mA}$, $V_O = \text{open}$		5	8	mA	
	High Level Supply Current (PS9817-2)				9	16		
	Low Level Supply Current (PS9817-1)	I_{CCL}	$V_{CC} = 5.5 \text{ V}$, $I_F = 10 \text{ mA}$, $V_O = \text{open}$		10	11		
	Low Level Supply Current (PS9817-2)				18	22		
Coupled	Threshold Input Current (H \rightarrow L)	I_{FHL}	$V_{CC} = 5.0 \text{ V}$, $V_O = 0.8 \text{ V}$, $R_L = 350 \Omega$		2.0	5	mA	
	Isolation Resistance	R_{I-O}	$V_{I-O} = 1 \text{ kV}_{DC}$, $R_H = 40$ to 60% , $T_A = 25^\circ\text{C}$	10^{11}			Ω	
	Insulation Resistance (Input-Input), (PS9817-2)	R_{I-I}	$V_{I-I} = 1 \text{ kV}_{DC}$, $R_H = 40$ to 60% , $T_A = 25^\circ\text{C}$	10^{10}			Ω	
	Isolation Capacitance	C_{I-O}	$V = 0 \text{ V}$, $f = 1 \text{ MHz}$, $T_A = 25^\circ\text{C}$		0.6		pF	
	Insulation Capacitance (Input-Input), (PS9817-2)	C_{I-I}	$V = 0 \text{ V}$, $f = 1 \text{ MHz}$, $T_A = 25^\circ\text{C}$		0.3		pF	
	Propagation Delay Time (H \rightarrow L) *3	t_{PHL}	$V_{CC} = 5.0 \text{ V}$, $R_L = 350 \Omega$, $I_F = 7.5 \text{ mA}$	$T_A = 25^\circ\text{C}$		40	75	ns
							100	
	Propagation Delay Time (L \rightarrow H) *3	t_{PLH}	$V_{CC} = 5.0 \text{ V}$, $R_L = 350 \Omega$, $I_F = 7.5 \text{ mA}$	$T_A = 25^\circ\text{C}$		45	75	ns
							100	
	Rise Time	t_r	$V_{CC} = 5.0 \text{ V}$, $R_L = 350 \Omega$, $I_F = 7.5 \text{ mA}$			20		
	Fall Time	t_f				5		
	Pulse Width Distortion (PWD) *3	$t_{PWL} - t_{PLH}$					5	35
	Propagation Delay Skew	t_{PSK}					40	
Common Mode Transient Immunity at High Level Output *4	CM_H	$V_{CC} = 5.0 \text{ V}$, $R_L = 350 \Omega$, $T_A = 25^\circ\text{C}$, $I_F = 0 \text{ mA}$, $V_O > 2 \text{ V}$, $V_{CM} = 1 \text{ kV}$		15	20		kV/ μs	
Common Mode Transient Immunity at Low Level Output *4	CM_L	$V_{CC} = 5.0 \text{ V}$, $R_L = 350 \Omega$, $T_A = 25^\circ\text{C}$, $I_F = 7.5 \text{ mA}$, $V_O < 0.8 \text{ V}$, $V_{CM} = 1 \text{ kV}$		15	20			

*1 Typical values at $T_A = 25^\circ\text{C}$ *2 Because V_{OL} of 2 V or more may be output when LED current input and when output supply of $V_{CC} = 2.6 \text{ V}$ or less, it is important to confirm the characteristics (operation with the power supply on and off) during design, before using this device.

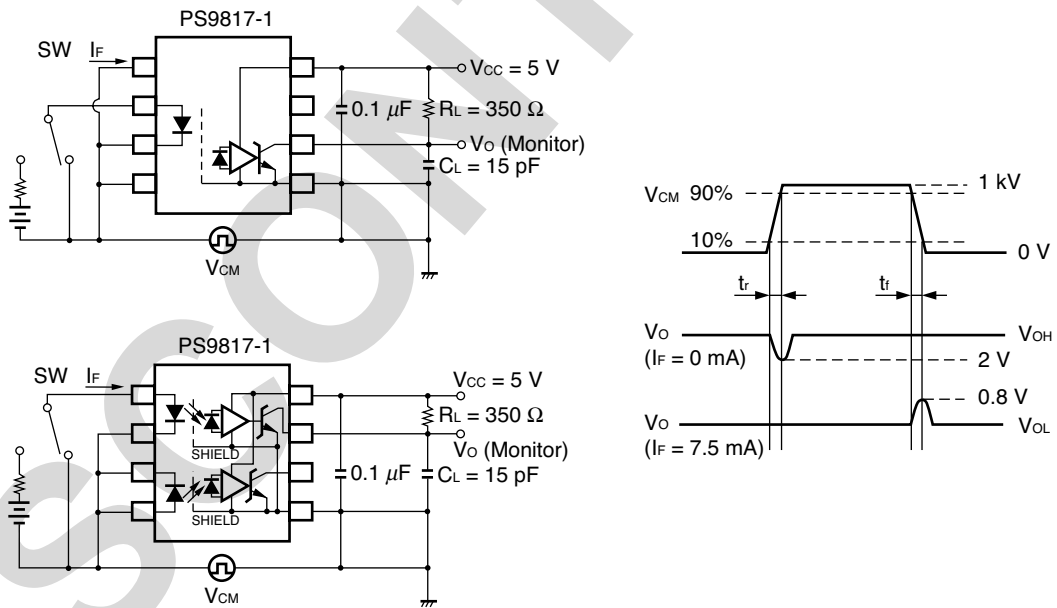
PS9817-1,-2

*3 Test circuit for propagation delay time



Remark C_L includes probe and stray wiring capacitance.

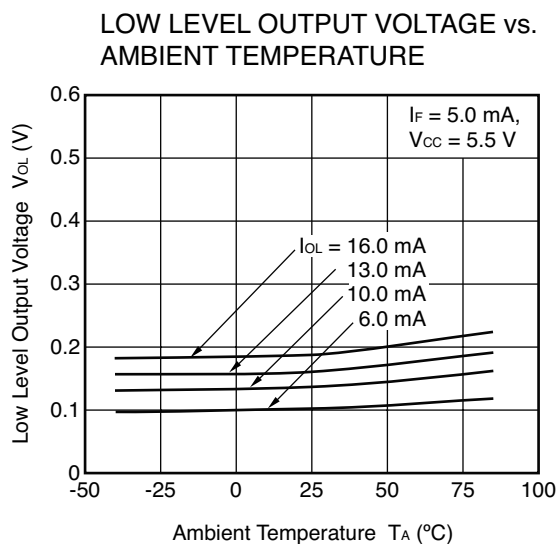
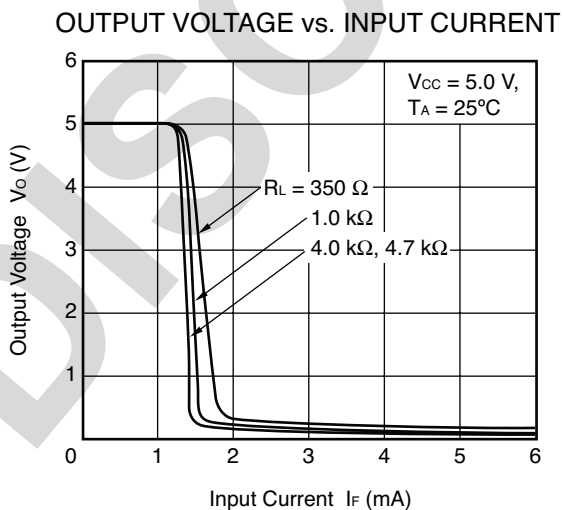
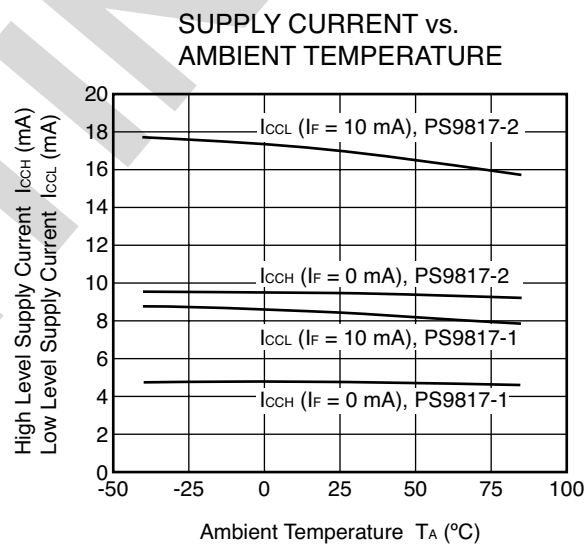
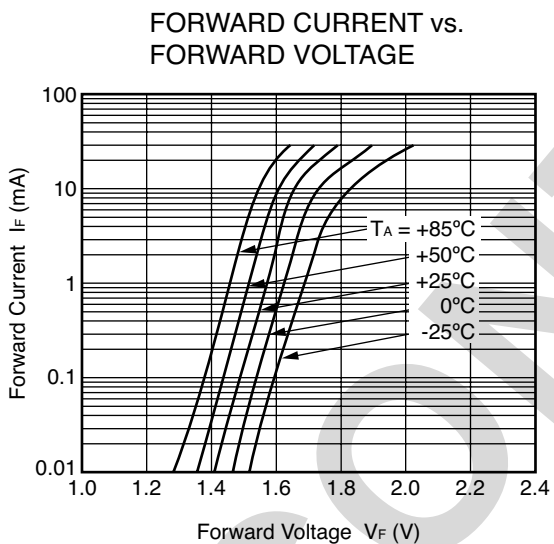
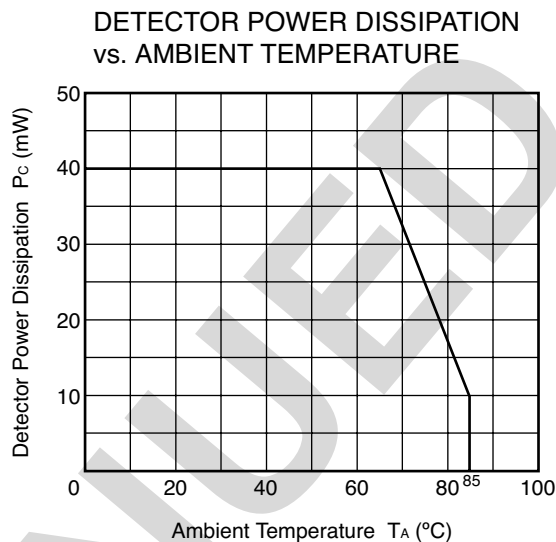
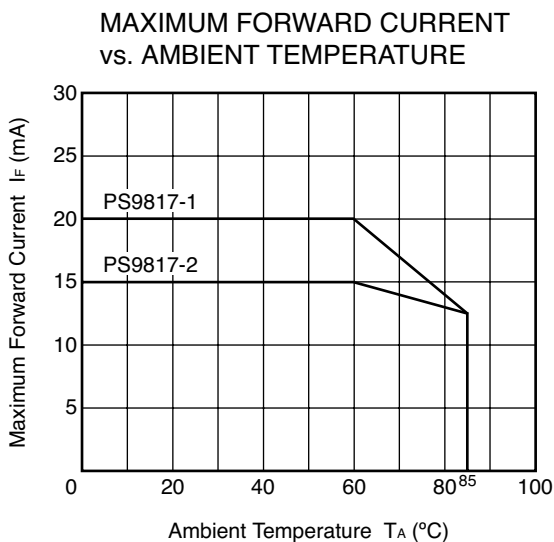
*4 Test circuit for common mode transient immunity



USAGE CAUTIONS

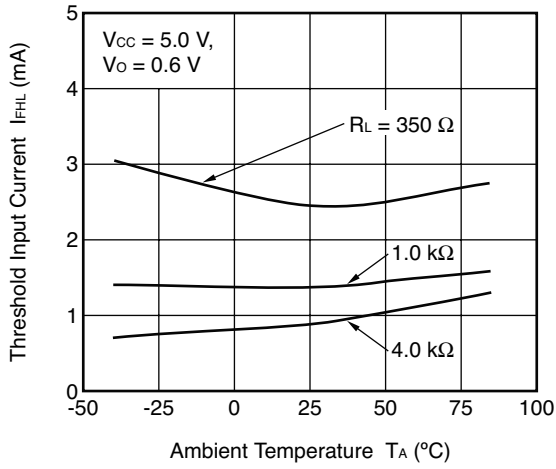
1. This product is weak for static electricity by designed with high-speed integrated circuit so protect against static electricity when handling.
2. By-pass capacitor of 0.1 μF is used between V_{CC} and GND near device. Also, ensure that the distance between the leads of the photocoupler and capacitor is no more than 10 mm.
3. Avoid storage at a high temperature and high humidity.

TYPICAL CHARACTERISTICS ($T_A = 25^\circ\text{C}$, unless otherwise specified)

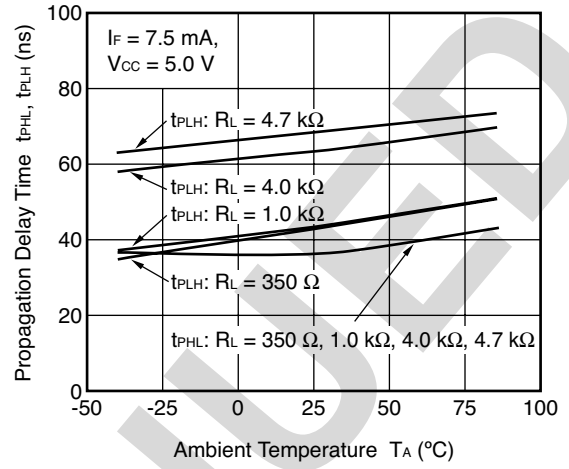


Remark The graphs indicate nominal characteristics.

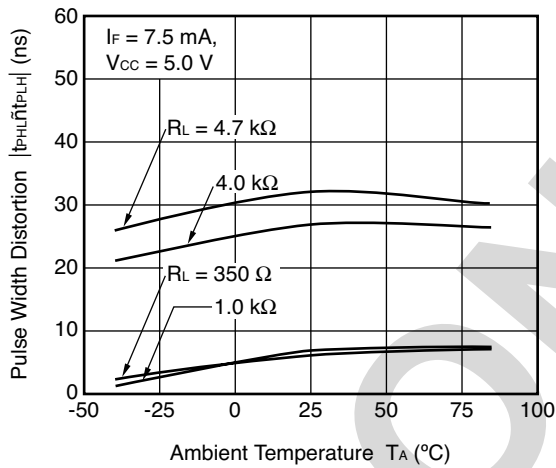
THRESHOLD INPUT CURRENT vs. AMBIENT TEMPERATURE



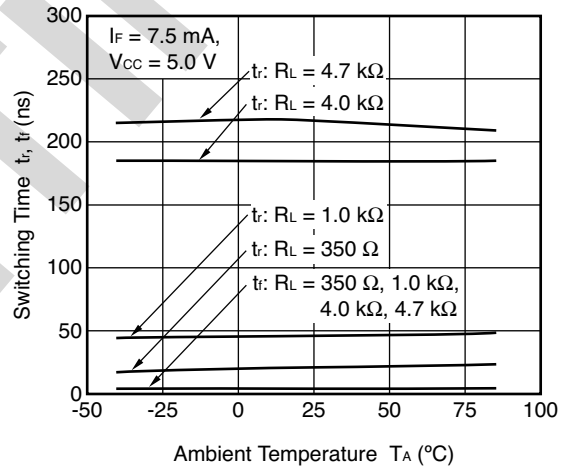
PROPAGATION DELAY TIME vs. AMBIENT TEMPERATURE



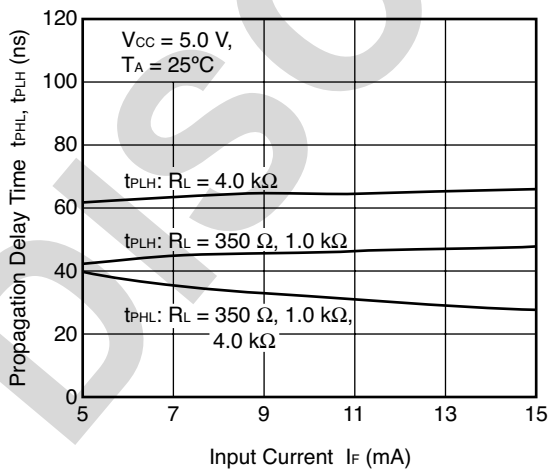
PULSE WIDTH DISTORTION vs. AMBIENT TEMPERATURE



SWITCHING TIME vs. AMBIENT TEMPERATURE

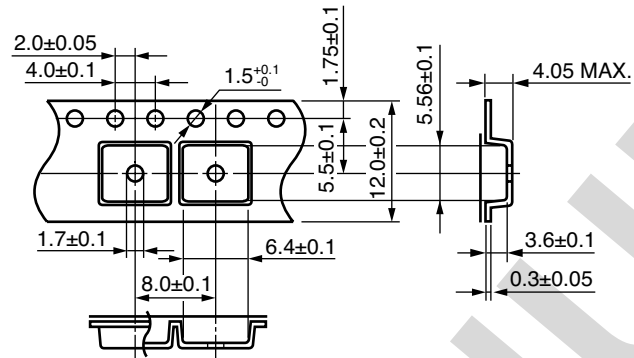


PROPAGATION DELAY TIME vs. INPUT CURRENT

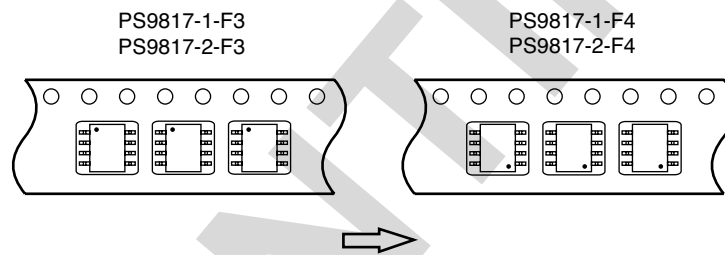


TAPING SPECIFICATIONS (UNIT:mm)

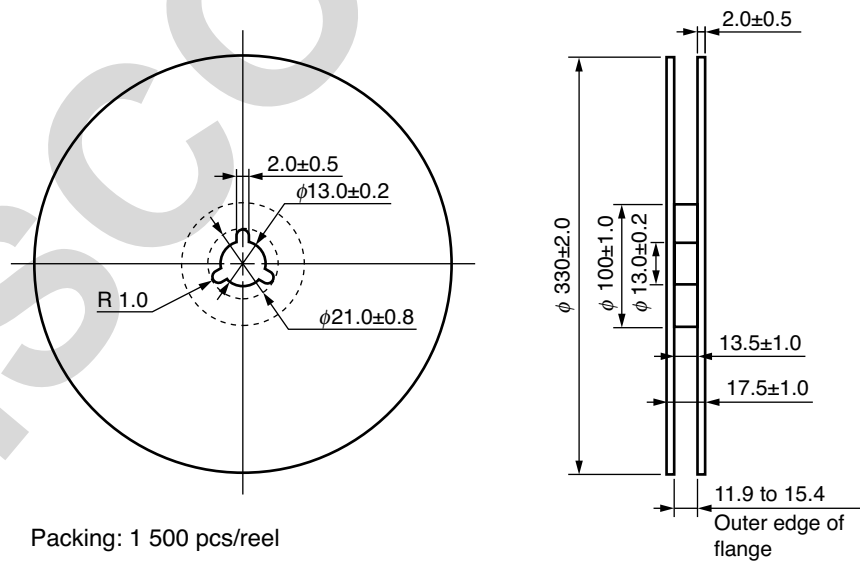
Outline and Dimensions (Tape)



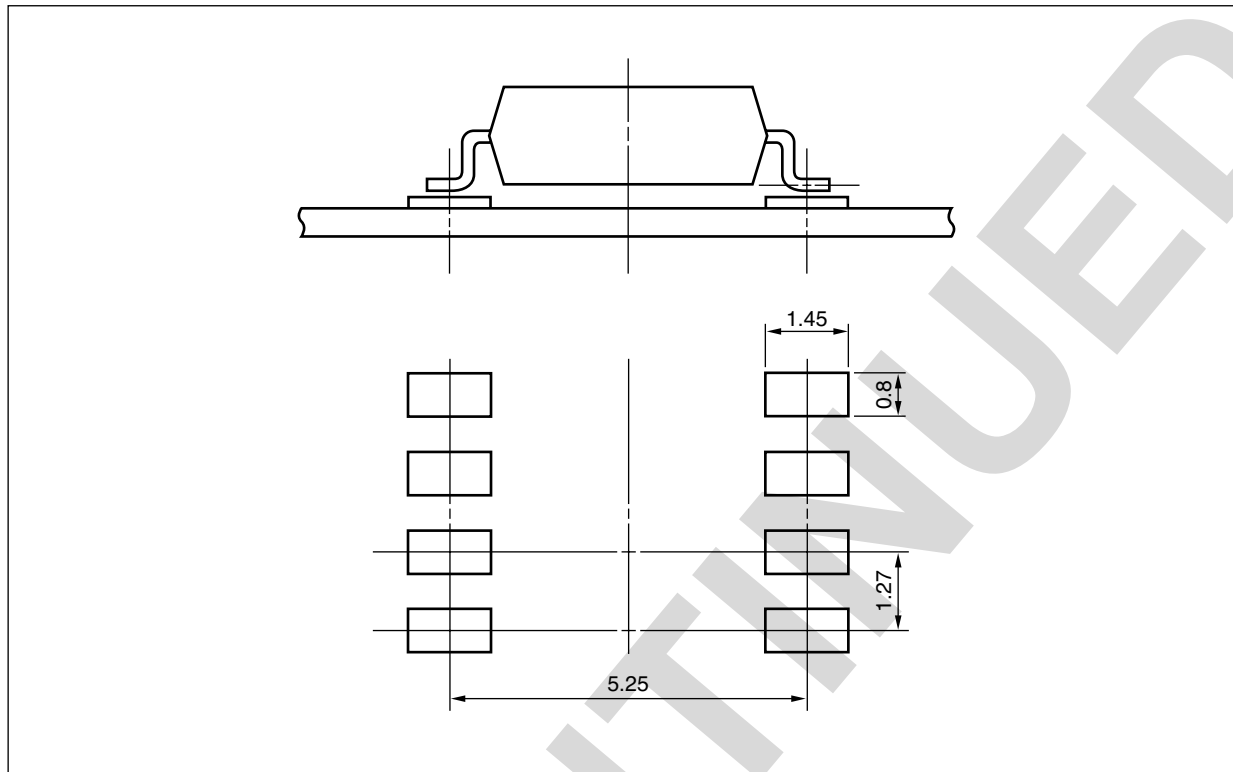
Taping Direction



Outline and Dimensions (Reel)



RECOMMENDED MOUNT PAD DIMENSIONS (UNIT:mm)



DISCONTINUED

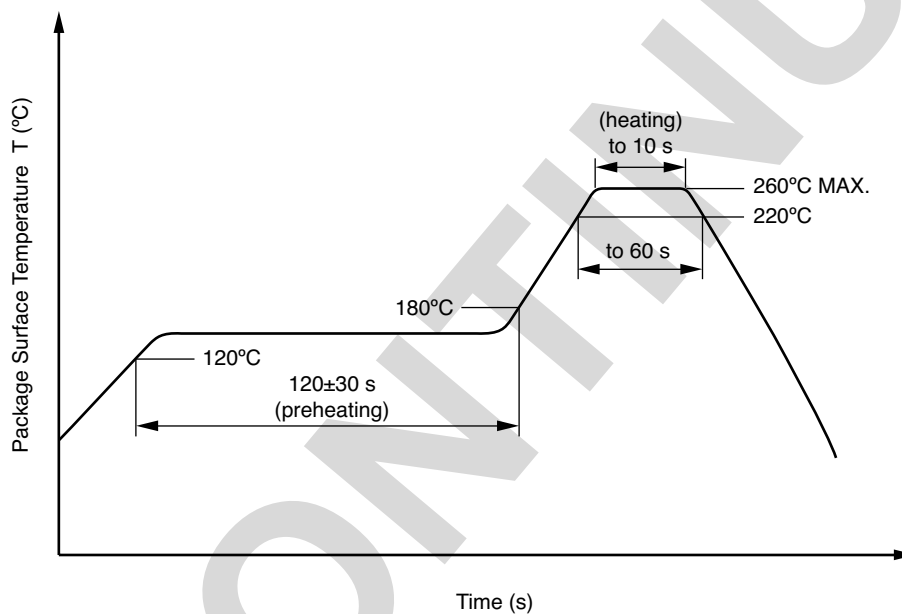
NOTES ON HANDLING

1. Recommended soldering conditions

(1) Infrared reflow soldering

- Peak reflow temperature 260°C or below (package surface temperature)
- Time of peak reflow temperature 10 seconds or less
- Time of temperature higher than 220°C 60 seconds or less
- Time to preheat temperature from 120 to 180°C 120±30 s
- Number of reflows Three
- Flux Rosin flux containing small amount of chlorine (The flux with a maximum chlorine content of 0.2 Wt% is recommended.)

Recommended Temperature Profile of Infrared Reflow



(2) Wave soldering

- Temperature 260°C or below (molten solder temperature)
- Time 10 seconds or less
- Preheating conditions 120°C or below (package surface temperature)
- Number of times One (Allowed to be dipped in solder including plastic mold portion.)
- Flux Rosin flux containing small amount of chlorine (The flux with a maximum chlorine content of 0.2 Wt% is recommended.)

(3) Soldering by Soldering Iron

- Peak Temperature (lead part temperature) 350°C or below
- Time (each pins) 3 seconds or less
- Flux Rosin flux containing small amount of chlorine (The flux with a maximum chlorine content of 0.2 Wt% is recommended.)

(a) Soldering of leads should be made at the point 1.5 to 2.0 mm from the root of the lead

(b) Please be sure that the temperature of the package would not be heated over 100°C

(4) Cautions

- Fluxes

Avoid removing the residual flux with freon-based and chlorine-based cleaning solvent.

2. Cautions regarding noise

Be aware that when voltage is applied suddenly between the photocoupler's input and output or between collector-emitters at startup, the output transistor may enter the on state, even if the voltage is within the absolute maximum ratings.

USAGE CAUTIONS

1. Protect against static electricity when handling.
2. Avoid storage at a high temperature and high humidity.

Life Support Applications

These NEC products are not intended for use in life support devices, appliances, or systems where the malfunction of these products can reasonably be expected to result in personal injury. The customers of CEL using or selling these products for use in such applications do so at their own risk and agree to fully indemnify CEL for all damages resulting from such improper use or sale.

CEL California Eastern Laboratories, Your source for NEC RF, Microwave, Optoelectronic, and Fiber Optic Semiconductor Devices.
4590 Patrick Henry Drive • Santa Clara, CA 95054-1817 • (408) 988-3500 • FAX (408) 988-0279 • www.cel.com

DATA SUBJECT TO CHANGE WITHOUT NOTICE

04/04/2005

Looking for pricing, stock, or lifecycle information?

Click below to explore more details on WIN SOURCE:

 [View PS9817-1-F3-A on WIN SOURCE](#)

 [CEL Information](#)

Optimize Your Supply Chain with WIN SOURCE Solutions

-  Global Sourcing Solution
-  Obsolete Management
-  Cost Control Management
-  Shortage Management
-  Alternative Solution
-  Excess Inventory Management