

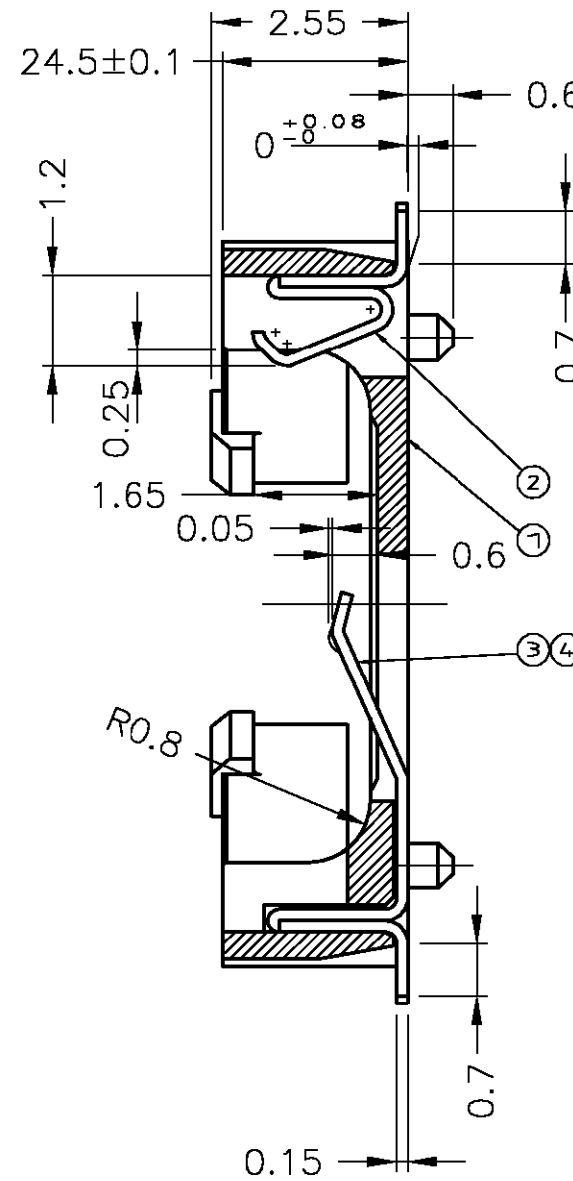
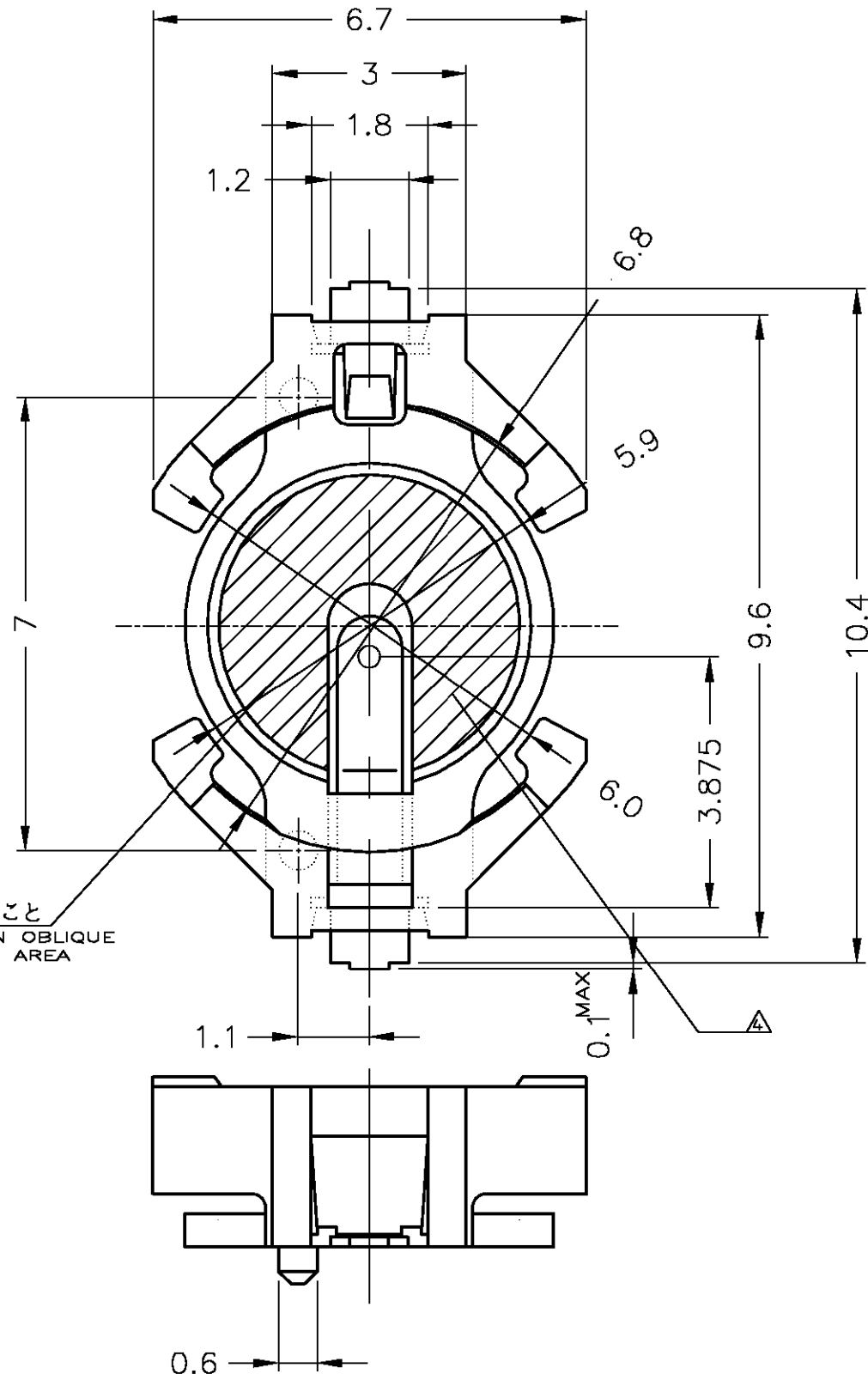


**THE DATASHEET OF**  
**353832-1**



THIS DRAWING IS UNPUBLISHED. RELEASED FOR PUBLICATION  
 © COPYRIGHT BY TYCO ELECTRONICS CORPORATION. ALL RIGHTS RESERVED.

LOC	DIST	REVISIONS					
J	—	P	LTR	DESCRIPTION	DATE	DWN	APVD
		F		REVISED (FJ00-0442-01)	05MAR01	C.O	K.I



注記  
 △重量 0.075g  
 △仕上げ 全面0.5~1.0umのNiめっきの上に0.1~0.3umのPdNiめっき  
 その上に0.05~0.2umのAuめっきを施す  
 3.コンタクト接触圧 + 300gfMIN  
 - 150gfMIN

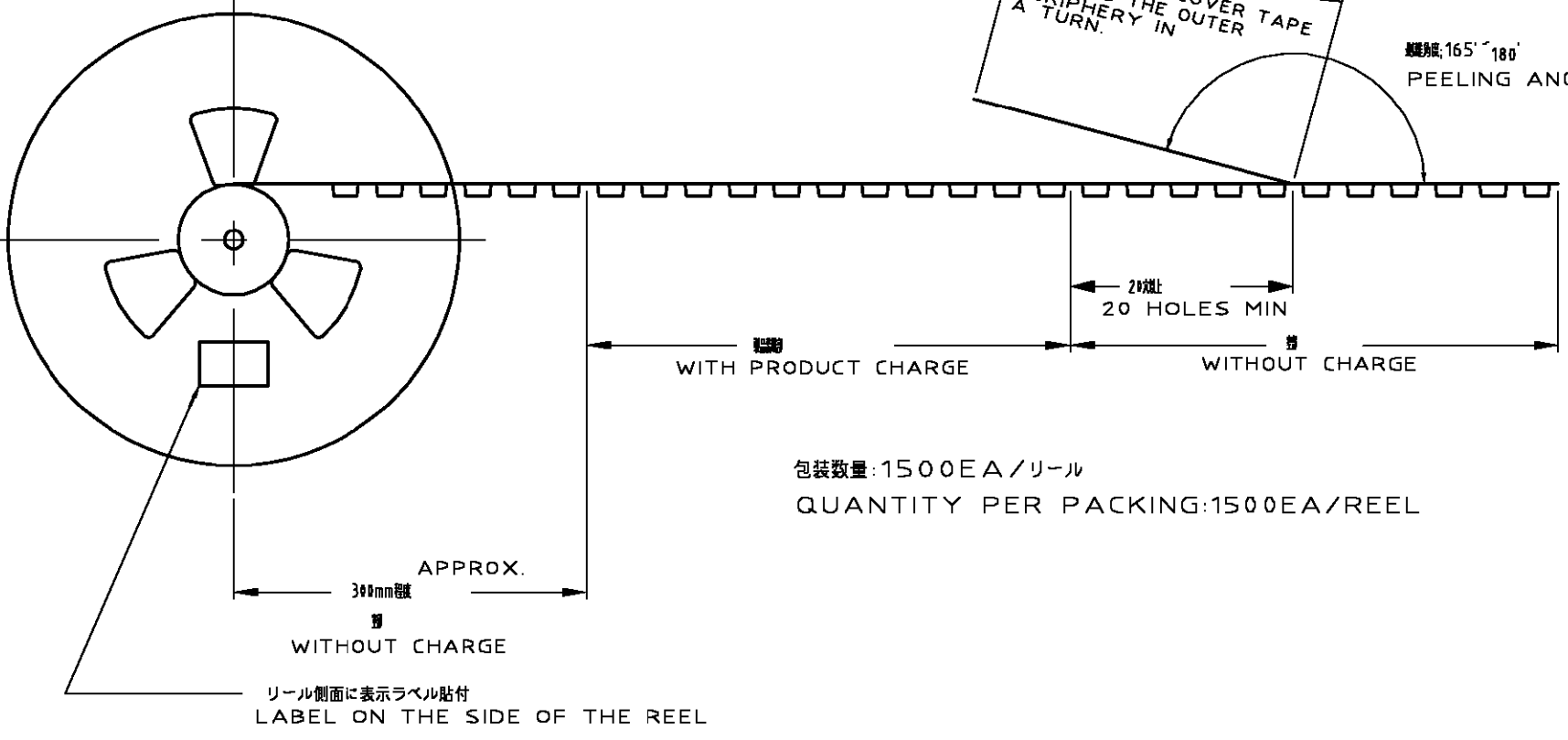
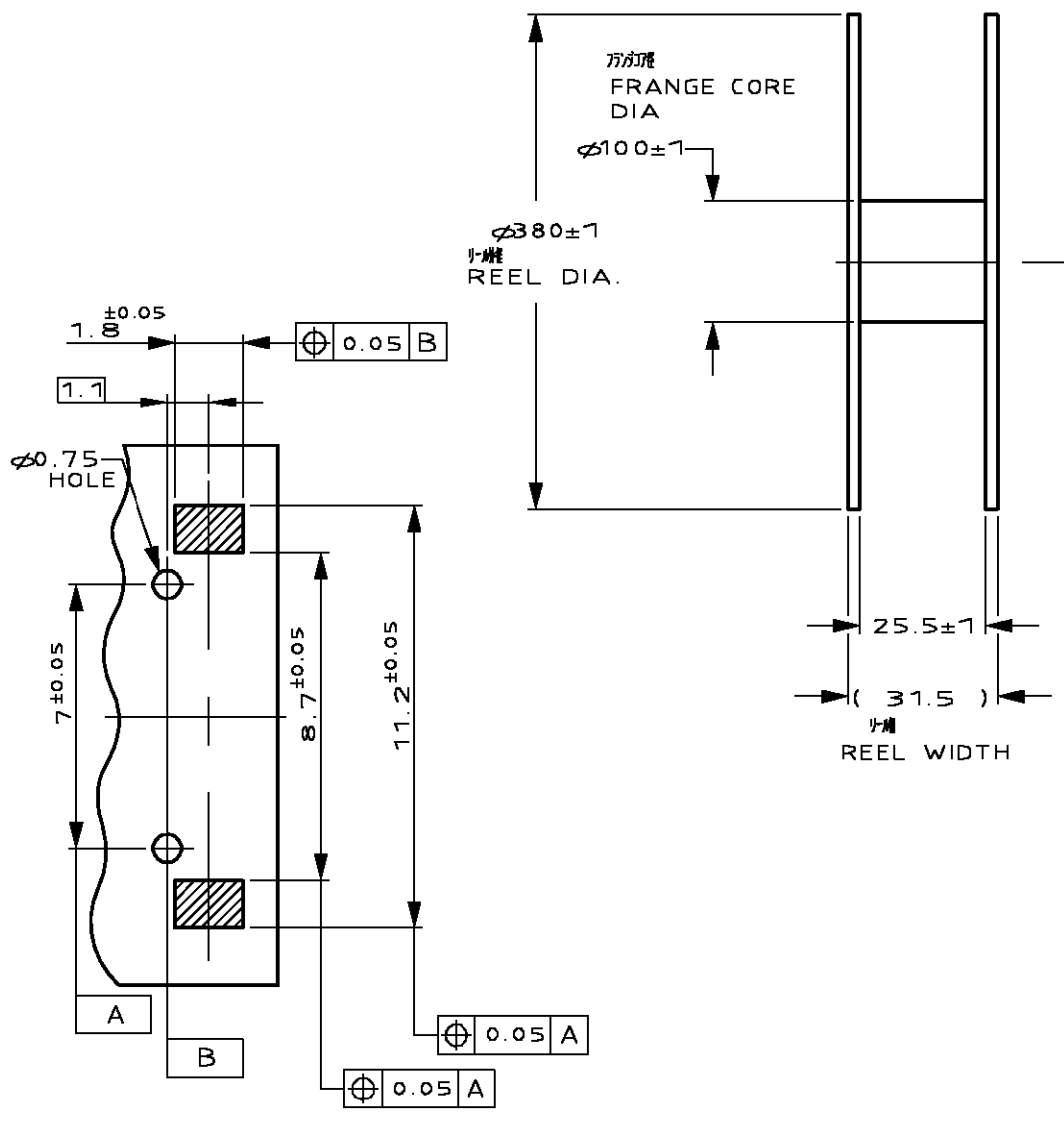
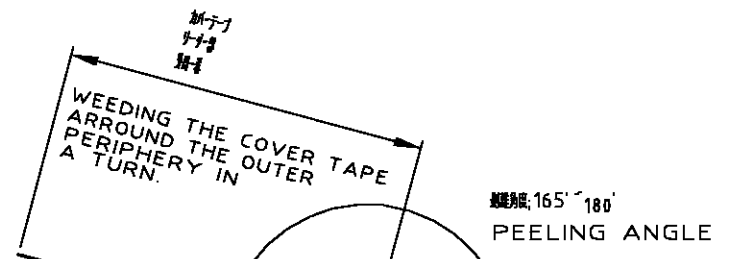
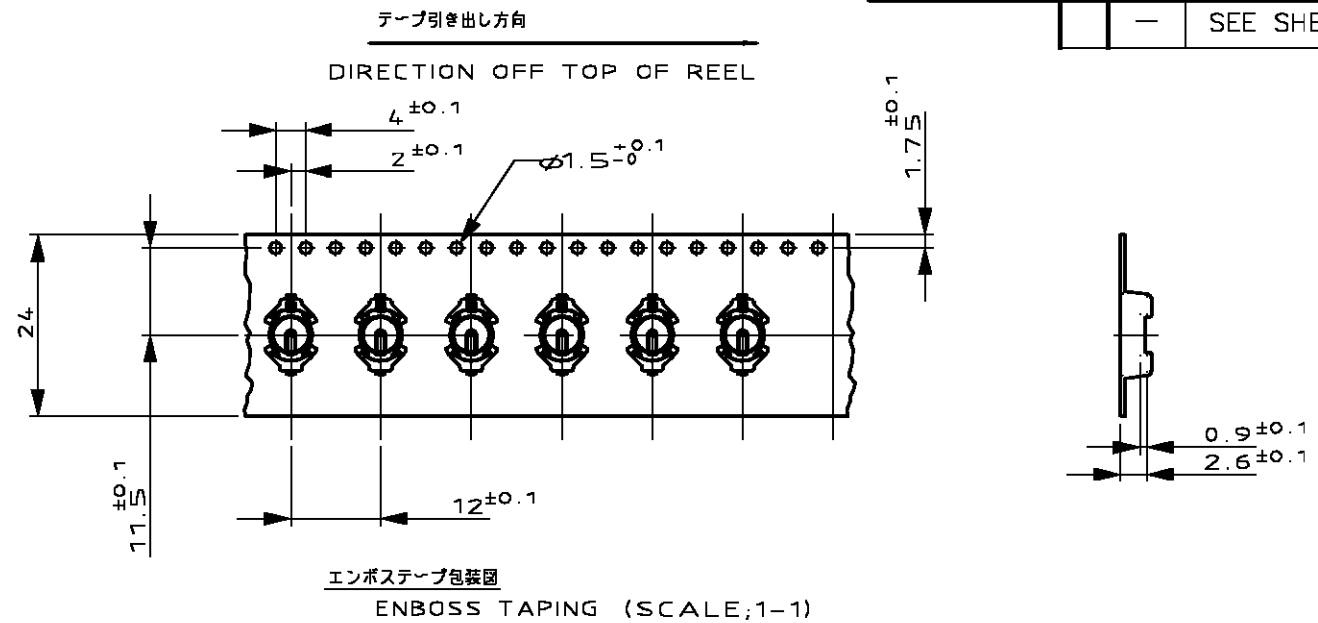
NOTES  
 △NET WEIGHT;0.075g  
 △FINISH:ALL~OVER Ni PLATING 0.5~1.0um.  
 OVER NiPd:0.1~0.3um OVER Au:0.05~0.2um  
 3.CONTACT PRESSURE + 300gfMIN  
 - 150gfMIN

QTY	UNIT	MATERIAL	NAME	ITEM
1		STAINLESS STEEL	- CONTACT WITH DIMPLE	④
1		STAINLESS STEEL	- CONTACT WITHOUT DIMPLE	③
1	1	STAINLESS STEEL	+ CONTACT	②
1		THERMOPLASTIC (HIGH TEMPERETURE NYLON))	HOUSING (COLOR; BLUE)	①
	1	THERMOPLASTIC (HIGH TEMPERETURE NYLON))	HOUSING (COLOR; WHITE)	①

THIS DRAWING IS A CONTROLLED DOCUMENT.		DWN T.KIMURA 9SEP97	Tyco Electronics AMP K.K. Kawasaki, Japan	
DIMENSIONS: 単位: 桁 MM		CHK K.KODAIRA 9SEP97		
TOLERANCES UNLESS OTHERWISE SPECIFIED: 一般公差		APVD T.SASAKI 9SEP97	NAME 名称 BATTERY HOLDER FOR ML 616	
0-PLC ± 1-PLC ± 2-PLC ± 3-PLC ± 4-PLC ± ANGLES ±3°		PRODUCT SPEC 製品規格 108-5578	SIZE A3	
MATERIAL 材料 SEE TABLE		APPLICATION SPEC 取付適用規格 114-5248	CAGE CODE 00779	RESTRICTED TO —
FINISH 仕上 △		WEIGHT △	DRAWING NO 番号 C-353832	SCALE 尺度 1:1
CUSTOMER DRAWING			SHEET 1 OF 2	REV F

THIS DRAWING IS UNPUBLISHED. RELEASED FOR PUBLICATION  
 © COPYRIGHT BY TYCO ELECTRONICS CORPORATION. ALL RIGHTS RESERVED.

LOC	DIST	REVISIONS				
		P	LTR	DATE	DWN	APVD
J	-	-	-	SEE SHEET 1	-	-




包装数量: 1500EA/リール  
 QUANTITY PER PACKING: 1500EA/REEL

推奨基板パターン形状  
 RECOMMENDED PATTERN DIMENSION  
 (scale;5-1)

THIS DRAWING IS A CONTROLLED DOCUMENT.		DWN T.KIMURA 9SEP97	<b>AMP</b> Tyco Electronics AMP K.K. Kawasaki, Japan
DIMENSIONS: 単位: 概 MM		CHK K.KODAIRA 9SEP97	
TOLERANCES UNLESS OTHERWISE SPECIFIED: 一般公差		APVD T.SASAKI 9SEP97	NAME 名称 BATTERY HOLDER FOR ML 616
0-PLC ± 1-PLC ± 2-PLC ± 3-PLC ± 4-PLC ± ANGLES ±3'		PRODUCT SPEC 製品規格	SIZE A3
MATERIAL 材料		APPLICATION SPEC 取付適用規格	CAGE CODE 00779
FINISH 仕上		WEIGHT	DRAWING NO 番号 C-353832
CUSTOMER DRAWING			RESTRICTED TO -
SCALE 尺度 1:1			SHEET 2 OF 2
			REV F

## Looking for pricing, stock, or lifecycle information?

Click below to explore more details on WIN SOURCE:

 [View 353832-1 on WIN SOURCE](#)

 [TE Connectivity](#) Information

## Optimize Your Supply Chain with WIN SOURCE Solutions

-  Global Sourcing Solution
-  Obsolete Management
-  Cost Control Management
-  Shortage Management
-  Alternative Solution
-  Excess Inventory Management