

## Features

- Fully integrated 769 – 935MHz transceiver including:
  - Chinese WPAN band from 779 to 787MHz
  - European SRD band from 863 to 870MHz
  - North American ISM band from 902 to 928MHz
  - Japanese band from 915 to 930MHz
- Direct Sequence Spread Spectrum with different modulation and data rates:
  - BPSK with 20 and 40kb/s, compliant to IEEE® 802.15.4-2003/2006/2011
  - O-QPSK with 100 and 250kb/s, compliant to IEEE 802.15.4-2006/2011
  - O-QPSK with 250kb/s, compliant to IEEE 802.15.4-2011
  - O-QPSK with 200, 400, 500, and 1000kb/s PSDU data rate
- Flexible combination of frequency bands and data rates
- Industry leading link budget:
  - Receiver sensitivity up to -110dBm
  - Programmable TX output power up to +11dBm
- Ultra-low current consumption:
  - SLEEP = 0.2µA
  - TRX\_OFF = 450µA
  - RX\_ON = 9.2mA
  - BUSY\_TX = 18.0mA at TX output power +5dBm
- Ultra-low supply voltage (1.8V to 3.6V) with internal regulator
- Easy to use interface:
  - Registers, frame buffer, and AES accessible through fast SPI
  - Clock output with prescaler from radio transceiver
- Radio transceiver features:
  - 128-byte FIFO (SRAM) for data buffering
  - Fully integrated, fast settling PLL to support Frequency Hopping
  - Battery monitor
  - Adjustable receiver sensitivity
  - Integrated TX/RX switch, LNA, and PLL loop filter
  - Automatic VCO and filter calibration
  - Integrated 16MHz crystal oscillator
- Special IEEE 802.15.4™-2011 hardware support:
  - FCS computation and Clear Channel Assessment
  - RSSI measurement, Energy Detection and Link Quality Indication
- MAC hardware accelerator:
  - Automated acknowledgement and retransmission
  - CSMA-CA and Listen Before Talk (LBT)
  - Automatic address filtering and automated FCS check
- Extended feature set hardware support:
  - AES 128-bit hardware accelerator
  - Antenna Diversity
  - RX/TX indication for external RF front end control
  - True Random Number Generation for security application
- Optimized for low BoM Cost and ease of production:
  - Few external components necessary (crystal, capacitors and antenna)
  - Excellent ESD robustness
  - Industrial temperature range from -40°C to +85°C
- I/O and packages:
  - 32-pin Low-Profile QFN Package 5 x 5 x 0.9mm<sup>3</sup>
  - RoHS/Fully Green
- Compliant to IEEE 802.15.4-2003/2006/2011
- Compliant to ETSI EN 300 220-1, and FCC 47 CFR Section 15.247



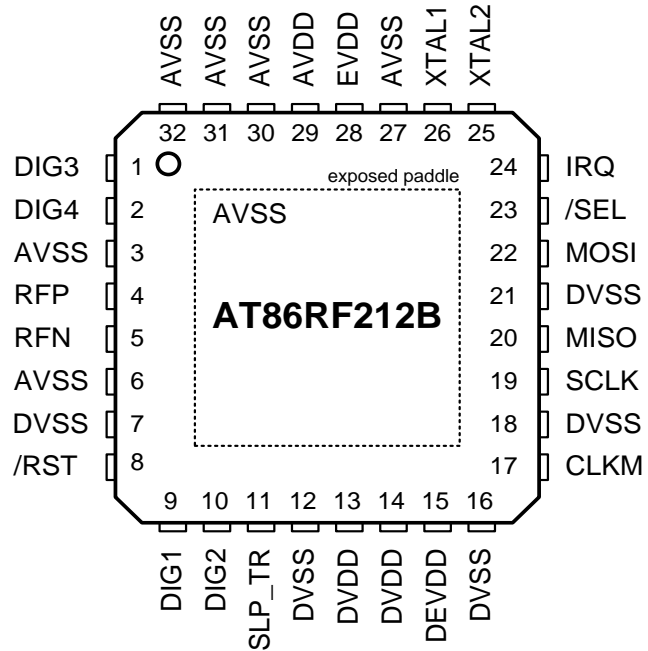
## Low Power, 700/800/900MHz Transceiver for ZigBee, IEEE 802.15.4, 6LoWPAN, and ISM Applications

## AT86RF212B



## 1 Pin-out Diagram

Figure 1-1. Atmel AT86RF212B Pin-out Diagram.



- Note: 1. The exposed paddle is electrically connected to the die inside the package. It shall be soldered to the board to ensure electrical and thermal contact and good mechanical stability.

## 1.1 Pin Descriptions

**Table 1-1.** Atmel AT86RF212B Pin Description.

Pins	Name	Type	Description
1	DIG3	Digital output (Ground)	1. RX/TX Indication, see <a href="#">Section 11.4</a> 2. If disabled, pull-down enabled (AVSS)
2	DIG4	Digital output (Ground)	1. RX/TX Indication (DIG3 inverted), see <a href="#">Section 11.4</a> 2. If disabled, pull-down enabled (AVSS)
3	AVSS	Ground	Ground for RF signals
4	RFP	RF I/O	Differential RF signal
5	RFN	RF I/O	Differential RF signal
6	AVSS	Ground	Ground for RF signals
7	DVSS	Ground	Digital ground
8	/RST	Digital input	Chip reset; active low
9	DIG1	Digital output (Ground)	1. Antenna Diversity RF switch control, see <a href="#">Section 11.3</a> 2. If disabled, pull-down enabled (DVSS)
10	DIG2	Digital output (Ground)	1. Antenna Diversity RF switch control (DIG1 inverted), see <a href="#">Section 11.3</a> 2. RX Frame Time Stamping, see <a href="#">Section 11.5</a> 3. If functions disabled, pull-down enabled (DVSS)
11	SLP_TR	Digital input	Controls sleep, transmit start, and receive states; active high; see <a href="#">Section 6.6</a>
12	DVSS	Ground	Digital ground
13, 14	DVDD	Supply	Regulated 1.8V voltage regulator output or regulated voltage input; digital domain, see <a href="#">Section 9.5</a>
15	DEVDD	Supply	External supply voltage; digital domain
16	DVSS	Ground	Digital ground
17	CLKM	Digital output	Master clock signal output; low if disabled, see <a href="#">Section 9.7</a>
18	DVSS	Ground	Digital ground
19	SCLK	Digital input	SPI clock
20	MISO	Digital output	SPI data output (master input slave output)
21	DVSS	Ground	Digital ground
22	MOSI	Digital input	SPI data input (master output slave input)
23	/SEL	Digital input	SPI select, active low
24	IRQ	Digital output	1. Interrupt request signal; active high or active low; configurable, see <a href="#">Section 6.7</a> 2. Frame Buffer Empty Indicator; active high, see <a href="#">Section 11.6</a>
25	XTAL2	Analog input	Crystal pin, see <a href="#">Section 9.7</a>
26	XTAL1	Analog input	Crystal pin or external clock supply, see <a href="#">Section 9.7</a>
27	AVSS	Ground	Analog ground
28	EVDD	Supply	External supply voltage, analog domain
29	AVDD	Supply	Regulated 1.8V voltage regulator output or regulated voltage input; analog domain, see <a href="#">Section 9.5</a>
30, 31, 32	AVSS	Ground	Analog ground
Paddle	AVSS	Ground	Analog ground; Exposed paddle of QFN package

## 1.2 Analog and RF Pins

### 1.2.1 Supply and Ground Pins

#### EVDD, DEVDD

EVDD and DEVDD are analog and digital supply voltage pins of the Atmel® AT86RF212B radio transceiver.

#### AVDD, DVDD

AVDD and DVDD are outputs of the internal voltage regulators and require bypass capacitors for stable operation. The voltage regulators are controlled independently by the radio transceivers state machine and are activated depending on the current radio transceiver state. The voltage regulators can be configured for external supply; for details, refer to [Section 9.5](#).

#### AVSS, DVSS

AVSS and DVSS are analog and digital ground pins respectively. The analog and digital power domains should be separated on the PCB.

### 1.2.2 RF Pins

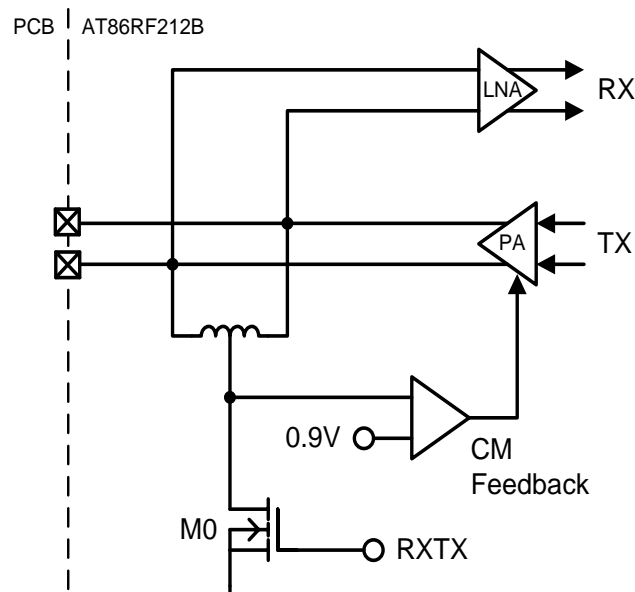
#### RFN, RFP

A differential RF port (RFP/RFN) provides common-mode rejection to suppress the switching noise of the internal digital signal processing blocks. At board-level, the differential RF layout ensures high receiver sensitivity by reducing spurious emissions originated from other digital ICs such as a microcontroller.

The RF port is designed for a 100Ω differential load. A DC path between the RF pins is allowed; a DC path to ground or supply voltage is not allowed. Therefore, when connecting an RF-load providing a DC path to the power supply or ground, AC-coupling is required as indicated in [Table 1-2](#).

A simplified schematic of the RF front end is shown in [Figure 1-2](#).

**Figure 1-2.** Simplified RF Front-end Schematic.



The RF port DC values depend on the operating state; refer to [Chapter 7](#). In TRX\_OFF state, when the analog front-end is disabled (see [Section 7.1.2.3](#)), the RF pins are pulled to ground, preventing a floating voltage larger than 1.8V which is not allowed for the internal circuitry.

In transmit mode, a control loop provides a common-mode voltage of 0.9V. Transistor M0 is off, allowing the PA to set the common-mode voltage. The common-mode capacitance at each pin to ground shall be < 100pF to ensure the stability of this common-mode feedback loop.

In receive mode, the RF port provides a low-impedance path to ground when transistor M0 (see [Figure 1-2](#)) pulls the inductor center tap to ground. A DC voltage drop of 20mV across the on-chip inductor can be measured at the RF pins.

## 1.2.3 Crystal Oscillator Pins

### XTAL1, XTAL2

The pin 26 (XTAL1) of Atmel AT86RF212B is the input of the reference oscillator amplifier (XOSC), the pin 25 (XTAL2) is the output. A detailed description of the crystal oscillator setup and the related XTAL1/XTAL2 pin configuration can be found in [Section 9.7](#).

When using an external clock reference signal, XTAL1 shall be used as input pin. For further details, refer to [Section 9.7.3](#).

## 1.2.4 Analog Pin Summary

**Table 1-2.** Analog Pin Behavior – DC Values.

Pin	Values and Conditions	Comments
RFP/RFN	$V_{DC} = 0.9V$ (BUSY_TX) $V_{DC} = 20mV$ (receive states) $V_{DC} = 0mV$ (otherwise)	DC level at pins RFP/RFN for various transceiver states. AC coupling is required if a circuitry with a DC path to ground or supply is used. Serial capacitance and capacitance of each pin to ground must be < 100pF.
XTAL1/XTAL2	$V_{DC} = 0.9V$ at both pins $C_{PAR} = 3pF$	DC level at pins XTAL1/XTAL2 for various transceiver states. Parasitic capacitance ( $C_{PAR}$ ) of the pins must be considered as additional load capacitance to the crystal.
DVDD	$V_{DC} = 1.8V$ (all states, except SLEEP) $V_{DC} = 0mV$ (otherwise)	DC level at pin DVDD for various transceiver states. Supply pins (voltage regulator output) for the digital 1.8V voltage domain. The outputs shall be bypassed by 1μF.
AVDD	$V_{DC} = 1.8V$ (all states, except P_ON, SLEEP, RESET, and TRX_OFF) $V_{DC} = 0mV$ (otherwise)	DC level at pin AVDD for various transceiver states. Supply pin (voltage regulator output) for the analog 1.8V voltage domain. The outputs shall be bypassed by 1μF.

## 1.3 Digital Pins

The Atmel AT86RF212B provides a digital microcontroller interface. The interface comprises a slave SPI (/SEL, SCLK, MOSI, and MISO) and additional control signals (CLKM, IRQ, SLP\_TR, /RST, and DIG2). The microcontroller interface is described in detail in [Chapter 6](#).

Additional digital output signals DIG1, ..., DIG4 are provided to control external blocks, that is for Antenna Diversity RF switch control or as an RX/TX Indicator; see [Section 11.3](#) and [Section 11.4](#) respectively.

### 1.3.1 Driver Strength Settings

The driver strength of all digital output pins (MISO, IRQ, DIG1, ..., DIG4) and CLKM pin can be configured using register bits PAD\_IO and PAD\_IO\_CLKM (register 0x03, TRX\_CTRL\_0); see [Table 1-3](#).

**Table 1-3.** Digital Output Driver Configuration.

Pin	Default Driver Strength	Comment
MISO, IRQ, DIG1, ..., DIG4	2mA	Adjustable to 2mA, 4mA, 6mA, and 8mA
CLKM	4mA	Adjustable to 2mA, 4mA, 6mA, and 8mA

The capacitive load should be as small as possible and not larger than 50pF when using the 2mA minimum driver strength setting. Generally, the output driver strength should be adjusted to the lowest possible value in order to keep the current consumption and the emission of digital signal harmonics low.

### 1.3.2 Pull-up and Pull-down Configuration

Pulling transistors (10µA current source) are internally connected to all digital input pins in radio transceiver state P\_ON, including reset during P\_ON; refer to [Section 7.1.2.1](#) and [Section 7.1.2.8](#).

[Table 1-4](#) summarizes the pull-up and pull-down configuration.

**Table 1-4.** Pull-Up / Pull-Down Configuration of Digital Input Pins.

Pin	H $\hat{=}$ pull-up, L $\hat{=}$ pull-down
/RST	H
/SEL	H
SCLK	L
MOSI	L
SLP_TR	L

In all other radio transceiver states, including RESET, no pull-up or pull-down transistors are connected to any of the digital input pins mentioned in [Table 1-4](#).

- Note:
1. In all other states, external circuitry should guaranty defined levels at all input pins. Floating input pins may cause unexpected functionality and increased power consumption, for example in SLEEP state.

If the additional digital output signals DIG1, ..., DIG4 are not activated, these pins are pulled-down to digital ground (DIG1/DIG2) or analog ground (DIG3/DIG4).

## 1.3.3 Register Description

Note: 1. Throughout this datasheet, underlined values indicate reset settings.

### Register 0x03 (TRX\_CTRL\_0):

The TRX\_CTRL\_0 register controls the driver current of the digital output pads and the CLKM clock rate.

**Figure 1-3.** Register TRX\_CTRL\_0.

Bit	7	6	5	4	
0x03	PAD_IO		PAD_IO_CLKM		TRX_CTRL_0
Read/Write	R/W	R/W	R/W	R/W	
Reset value	0	0	0	1	
Bit	3	2	1	0	
0x03	CLKM_SHA_SEL	CLKM_CTRL			TRX_CTRL_0
Read/Write	R/W	R/W	R/W	R/W	
Reset value	1	0	0	1	

- **Bit 7:6 - PAD\_IO**

These register bits set the output driver current of digital output pads, except CLKM.

**Table 1-5.** PAD\_IO.

Register Bits	Value	Description
PAD_IO	<u>0</u>	2mA
	1	4mA
	2	6mA
	3	8mA

Note: 1. Selecting low-level driver current reduces power consumption and minimizes transceiver's harmonic distortion.

- **Bit 5:4 - PAD\_IO\_CLKM**

These register bits set the output driver current of pin CLKM. It is recommended to reduce the driver strength to 2mA (PAD\_IO\_CLKM = 0) if possible. This reduces power consumption and spurious emissions.

**Table 1-6.** PAD\_IO\_CLKM.

Register Bits	Value	Description
PAD_IO_CLKM	0	2mA
	<u>1</u>	4mA
	2	6mA
	3	8mA

## 2 Disclaimer

Typical values contained in this datasheet are based on simulations and testing. Minimum and maximum values are available when the radio transceiver has been fully characterized.

## 3 Overview

The Atmel AT86RF212B is a low-power, low-voltage 700/800/900MHz transceiver specially designed for the ZigBee/IEEE 802.15.4, 6LoWPAN, and high data rate sub-1GHz ISM applications.

For the sub-1GHz bands, all modulation schemes and data rates according to IEEE 802.15.4-2003 [1], IEEE 802.15.4-2006 [2] standards, and the respective 802.15.4c-2009 [3] amendment are supported. All these PHY modes are summarized in IEEE 802.15.4-2011 [4] Standard. Furthermore, proprietary High Data Rate Modes up to 1000kb/s can be employed.

The AT86RF212B is a true SPI-to-antenna solution. All RF-critical components except the antenna, crystal, and de-coupling capacitors are integrated on-chip. MAC and AES hardware accelerators improve overall system power efficiency and timing. Therefore, the AT86RF212B is particularly suitable for applications like:

- Sub-1GHz IEEE 802.15.4 and ZigBee systems
- Energy Harvesting systems
- 6LoWPAN systems
- Wireless sensor networks
- Industrial Control
- Residential and commercial automation
- Health care
- Consumer electronics
- PC peripherals

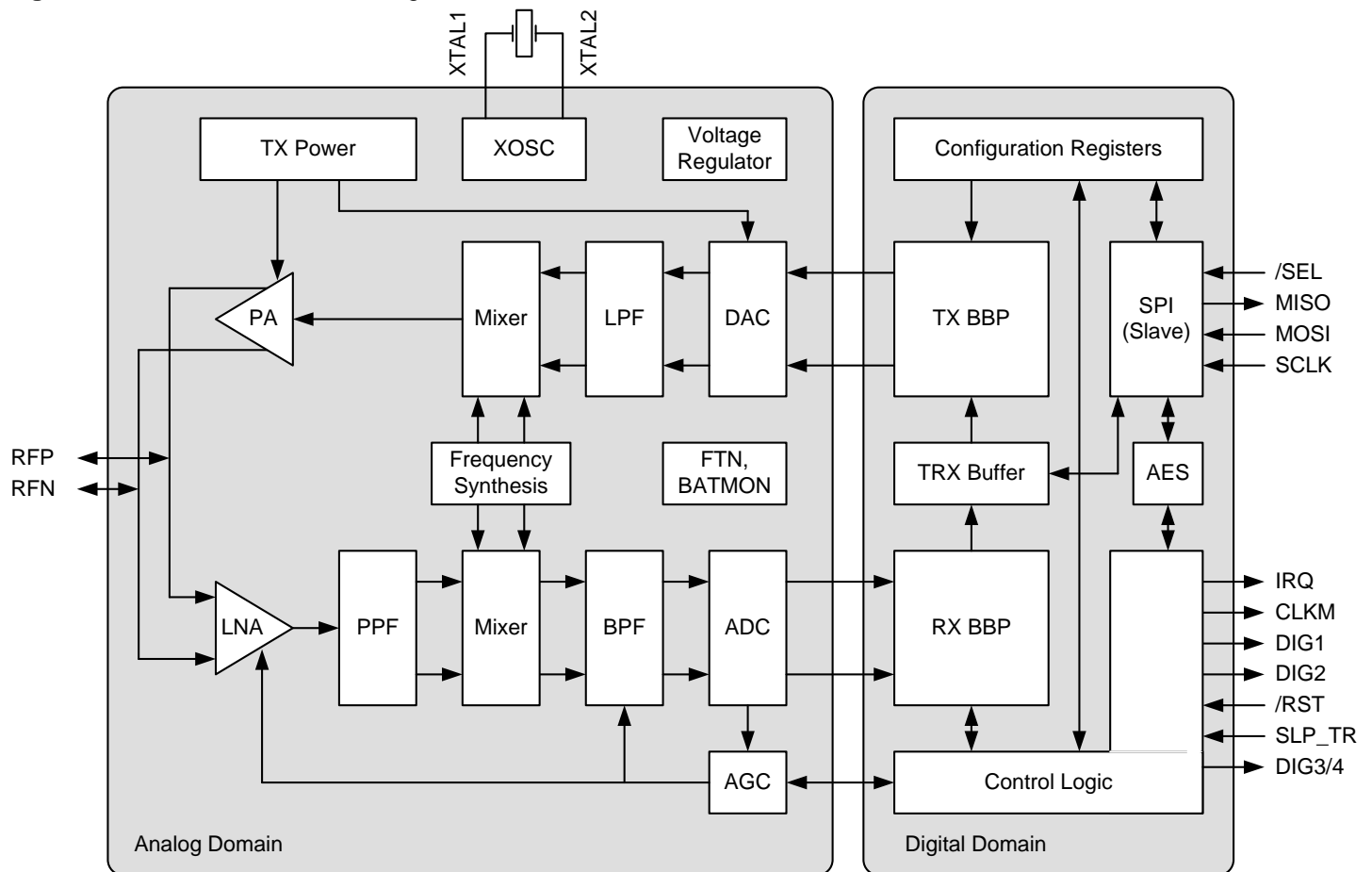
The AT86RF212B can be operated by using an external microcontroller like Atmel AVR® microcontrollers. A comprehensive software programming description can be found in reference [11].

## 4 General Circuit Description

The Atmel AT86RF212B single-chip radio transceiver provides a complete radio transceiver interface between an antenna and a microcontroller. It comprises the analog radio, digital modulation and demodulation including time and frequency synchronization, as well as data buffering. A single 128-byte TRX buffer stores receive or transmit data. Communication between transmitter and receiver is based on direct sequence spread spectrum with different modulation schemes and spreading codes.

The AT86RF212B diagram is shown in [Figure 4-1](#).

**Figure 4-1.** AT86RF212B Block Diagram.



The number of external components is minimized so that only the antenna, a filter (at high output power levels), the crystal, and four bypass capacitors are required. The bidirectional differential antenna pins (RFP, RFN) are used for transmission and reception, thus no external antenna switch is needed. Control of an external power amplifier is supported by two digital control signals (differential operation).

The AT86RF212B supports the IEEE 802.15.4-2006 [2] standard mandatory BPSK modulation and optional O-QPSK modulation in the 868.3MHz and 915MHz bands. In addition, it supports the O-QPSK modulation defined in IEEE 802.15.4-2011 [4] for the Chinese 780MHz band. For applications not necessarily targeting IEEE compliant networks, the radio transceiver supports proprietary High Data Rate Modes based on O-QPSK.

The Atmel AT86RF212B features hardware supported 128-bit security operation. The standalone AES encryption/decryption engine can be accessed in parallel to all PHY operational modes. Configuration of the AT86RF212B, reading and writing of data memory, as well as the AES hardware engine are controlled by the SPI interface and additional control signals.

On-chip low-dropout voltage regulators provide regulated analog and digital 1.8V power supply outputs. Control registers retain their settings in sleep mode when the regulators are turned off. The RX and TX signal processing paths are highly integrated and optimized for low power consumption.

Additional features of the Extended Feature Set, see [Chapter 11](#), are provided to simplify the interaction between radio transceiver and microcontroller.

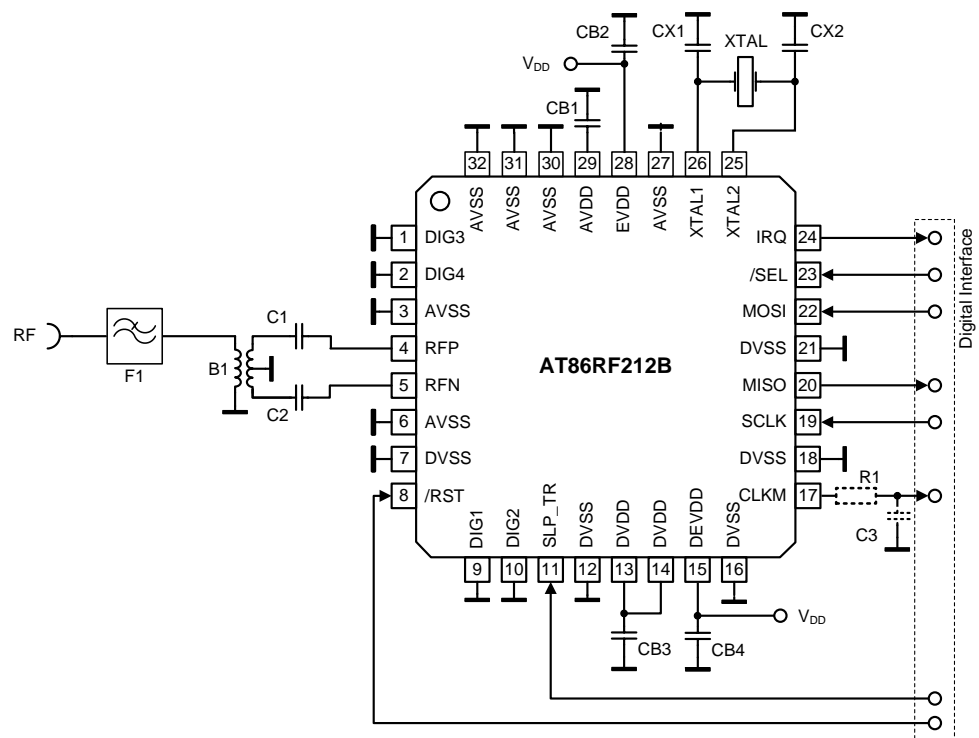
## 5 Application Schematic

### 5.1 Basic Application Schematic

A basic application schematic of the Atmel AT86RF212B with a single-ended RF connector is shown in Figure 5-1. The 50Ω single-ended RF input is transformed to the 100Ω differential RF port impedance using balun B1. The capacitors C1 and C2 provide AC coupling of the RF input to the RF port. If the balun pins at the differential side provide no DC path to ground and to the single-ended pin, the capacitors are not necessary.

Regulatory rules like FCC 47 CFR Section 15.247 [5], ETSI EN 300 220-1 [6], and ERC/REC 70-03 [7] may require an external filter F1, depending on used transmit power levels.

**Figure 5-1.** Basic Application Schematic.



The power supply decoupling capacitors (CB2, CB4) are connected to the external analog supply pin 28 (EVDD) and external digital supply pin 15 (DEVDD). Capacitors CB1 and CB3 are bypass capacitors for the integrated analog and digital voltage regulators to ensure stable operation. All bypass capacitors should be placed as close as possible to the pins and should have a low-resistance and low-inductance connection to ground to achieve the best performance.

The crystal (XTAL), the two load capacitors (CX1, CX2), and the internal circuitry connected to pins XTAL1 and XTAL2 form the crystal oscillator. To achieve the best accuracy and stability of the reference frequency, large parasitic capacitances should be avoided. Crystal lines should be routed as short as possible and not in proximity of

digital I/O signals. This is especially required for the High Data Rate Modes; refer to [Section 9.1.4](#).

Crosstalk from digital signals on the crystal pins or the RF pins can degrade the system performance. Therefore, a low-pass filter (C3, R1) is placed close to the Atmel AT86RF212B CLKM output pin to reduce the emission of CLKM signal harmonics. This is not needed if pin 17 (CLKM) is not used as a microcontroller clock source. In this case, pin 17 (CLKM) output should be disabled during device initialization.

The ground plane of the application board should be separated into four independent fragments: the analog, the digital, the antenna, and the XTAL ground plane. The exposed paddle shall act as the reference point of the individual grounds.

- Note: 1. The pins DIG1, DIG2, DIG3, and DIG4 are connected to ground in the Basic Application Schematic; refer to [Figure 5-1](#). Special programming of these pins requires a different schematic; refer to [Section 5.2](#).

**Table 5-1.** Exemplary Bill of Materials (BoM) for Basic Application Schematic.

Symbol	Description	Value	Manufacturer	Part Number	Comment
B1	SMD balun	800 – 1000MHz	Wuerth JTI	748431090 0900BL18B100	
F1	SMD low pass filter	902 – 928MHz	Wuerth JTI	748131009 0915LP15A026	
B1 + F1 (alternatively)	Balun/Filter combination	863 – 928MHz	JTI	0896FB15A0100	
		779 – 787MHz	JTI	0783FB15A0100	
CB1 CB3	LDO VREG bypass capacitor	1 $\mu$ F	AVX Murata	0603YD105KAT2A GRM188R61E105KA12	X5R 10% 16V (0603)
CB2 CB4	Power supply bypass capacitor				X5R 15% 25V (0603)
CX1, CX2	Crystal load capacitor	12pF	AVX Murata	06035A120JA GRM1555C1H120JA01	COG 5% 50V (0402 or 0603)
C1, C2	RF coupling capacitor	100pF	Epcos Epcos AVX	B37930 B37920 06035A680JAT2A	COG 5% 50V (0402 or 0603)
C3	CLKM low-pas filter capacitor	2.2pF	AVX Murata	06035A229DA GRP1886C1H2R0DA01	COG $\pm$ 0.5pF 50V (0603) Designed for $f_{CLKM} = 1$ MHz
R1	CLKM low-pass filter resistor	680 $\Omega$			Designed for $f_{CLKM} = 1$ MHz
XTAL	Crystal	CX-4025 16MHz SX-4025 16MHz	ACAL Taitjen Siward	XWBBPL-F-1 A207-011	

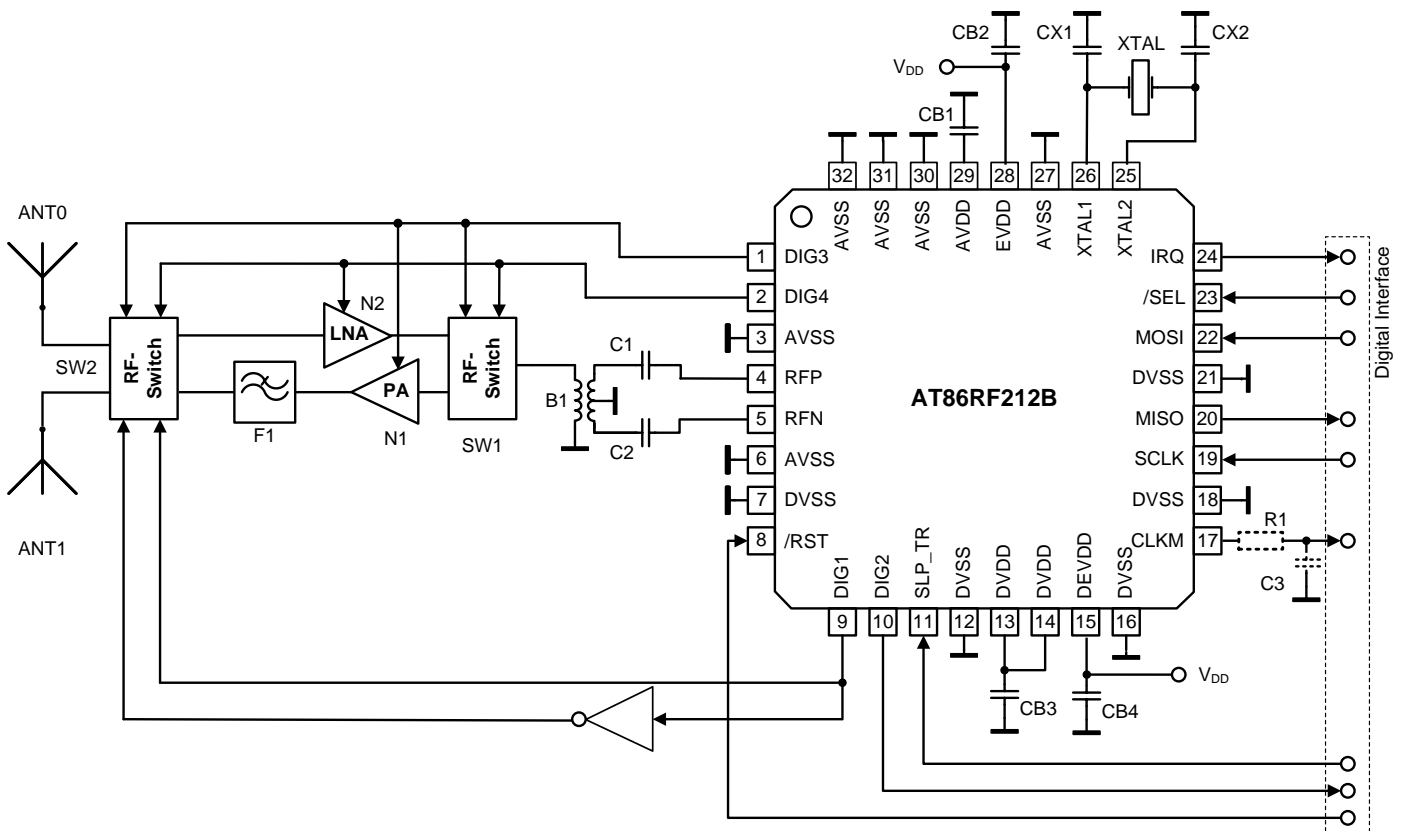
## 5.2 Extended Feature Set Application Schematic

The Atmel AT86RF212B supports additional features like:

- Security Module (AES) Section 11.1
- Random Number Generator Section 11.2
- Antenna Diversity uses pins DIG1(/2) Section 11.3
- RX/TX Indicator uses pins DIG3/4 Section 11.4
- RX Frame Time Stamping uses pin DIG2 Section 11.5
- Frame Buffer Empty Indicator uses pin IRQ Section 11.6
- Dynamic Frame Buffer Protection Section 11.7
- Alternate Start-Of-Frame Delimiter Section 11.8

An extended feature set application schematic illustrating the use of the AT86RF212B Extended Feature Set, see [Chapter 11](#), is shown in [Figure 5-2](#). Although this example shows all additional hardware features combined, it is possible to use all features separately or in various combinations.

**Figure 5-2.** Extended Feature Application Schematic.



In this example, a balun (B1) transforms the differential RF signal at the Atmel AT86RF212B radio transceiver RF pins (RFP/RFN) to a single ended RF signal, similar to the Basic Application Schematic; refer to [Figure 5-1](#). The RF switches (SW1, SW2) separate between receive and transmit path in an external RF front-end. These switches are controlled by the RX/TX Indicator, represented by the differential pin pair DIG3/DIG4; refer to [Section 11.4](#).

During receive, the corresponding microcontroller may search for the most reliable RF signal path using an Antenna Diversity algorithm or stored statistic data of link signal quality. One antenna is selected by an RF switch (SW2) controlled by pin 9 (DIG1)<sup>(1)</sup>. The RF signal is amplified by an optional low-noise amplifier (N2) and fed to the radio transceiver using an RX/TX switch (SW1).

During transmit, the AT86RF212B TX signal is amplified using an external PA (N1), low pass filtered to suppress spurious harmonics emission, and fed to the antennas via an RF switch (SW2). In this example, RF switch SW2 further supports Antenna Diversity controlled by pin 9 (DIG1)<sup>(1)</sup>.

- Note: 1. DIG1/DIG2 can be used as a differential pin pair to control an RF switch if RX Frame Time Stamping is not used; refer to [Section 11.3](#) and [Section 11.5](#).

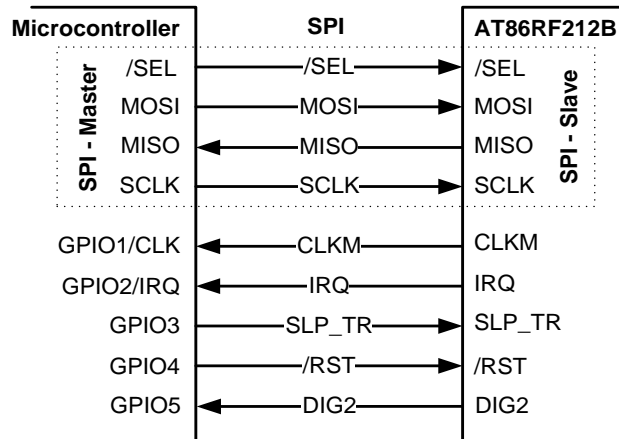
The Security Module (AES), Random Number Generator, Frame Buffer Empty Indicator, Dynamic Frame Buffer Protection or Alternate Start-Of-Frame Delimiter do not require specific circuitry to operate, for details refer to [Section 11.1](#), [Section 11.2](#), [Section 11.6](#), [Section 11.7](#) and [Section 11.8](#).

## 6 Microcontroller Interface

### 6.1 Overview

This section describes the Atmel AT86RF212B to microcontroller interface. The interface comprises a slave SPI and additional control signals; see [Figure 6-1](#). The SPI timing and protocol are described below.

**Figure 6-1.** Microcontroller to AT86RF212B Interface.



Microcontrollers with a master SPI such as Atmel AVR family interface directly to the AT86RF212B. The SPI is used for register, Frame Buffer, SRAM, and AES access. The additional control signals are connected to the GPIO/IRQ interface of the microcontroller. [Table 6-1](#) introduces the radio transceiver I/O signals and their functionality.

**Table 6-1.** Signal Description of Microcontroller Interface.

Signal	Description
/SEL	SPI select signal, active low
MOSI	SPI data (master output slave input) signal
MISO	SPI data (master input slave output) signal
SCLK	SPI clock signal
CLKM	Optional, Clock output, refer to <a href="#">Section 9.7.4</a> , usable as: <ul style="list-style-type: none"> <li>- microcontroller clock source and/or MAC timer reference</li> <li>- high precision timing reference</li> </ul>
IRQ	Interrupt request signal, further used as: <ul style="list-style-type: none"> <li>- Frame Buffer Empty indicator; refer to <a href="#">Section 11.6</a></li> </ul>
SLP_TR	Multi purpose control signal (functionality is state dependent, see <a href="#">Section 6.6</a> ): <ul style="list-style-type: none"> <li>- Sleep/Wakeup enable/disable SLEEP state</li> <li>- TX start BUSY_TX_(ARET) state</li> <li>- disable/enable CLKM</li> </ul>
/RST	AT86RF212B reset signal; active low
DIG2	Optional, <ul style="list-style-type: none"> <li>- IRQ_2 (RX_START) for RX Frame Time Stamping, see <a href="#">Section 11.5</a></li> </ul>

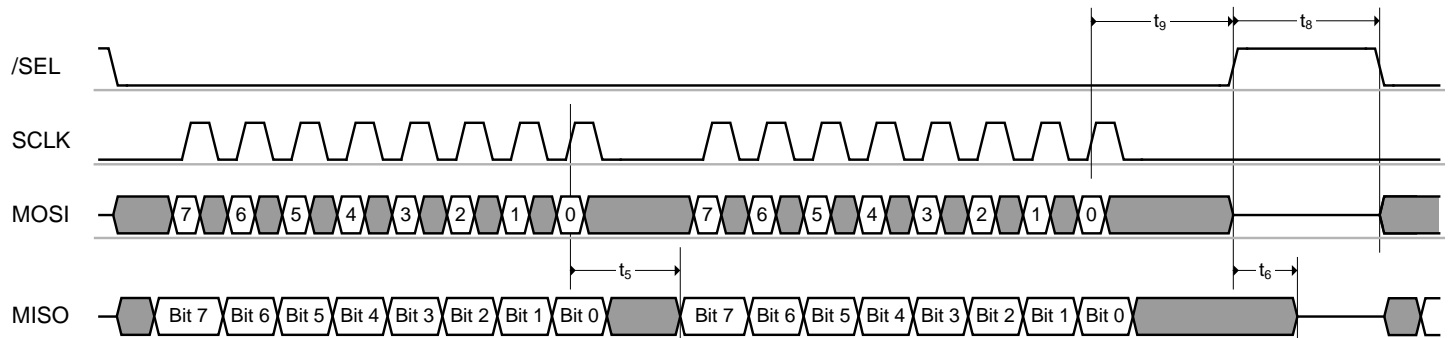
## 6.2 SPI Timing Description

Pin 17 (CLKM) can be used as a microcontroller master clock source. If the microcontroller derives the SPI master clock (SCLK) directly from CLKM, the SPI operates in synchronous mode, otherwise in asynchronous mode.

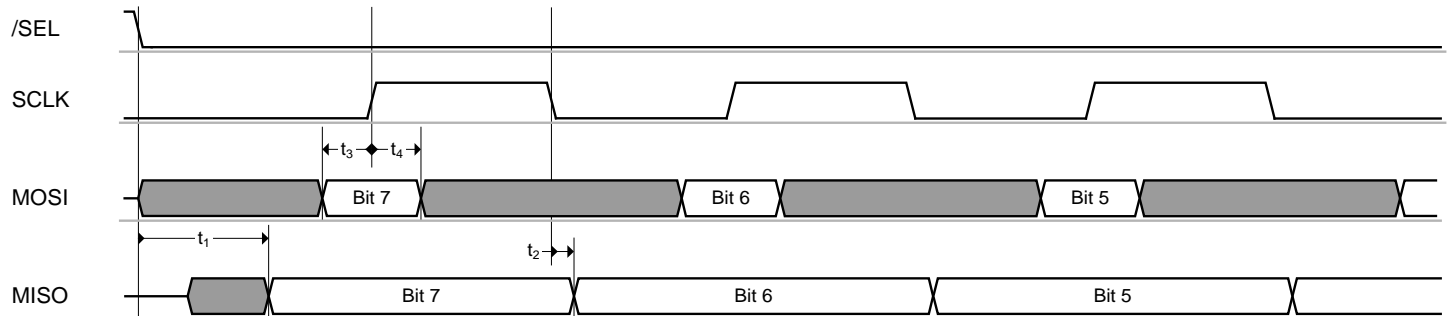
In asynchronous mode, the maximum SCLK frequency  $f_{\text{async}}$  is limited to 7.5MHz. The signal at pin 17 (CLKM) is not required to derive SCLK and may be disabled to reduced power consumption and spurious emissions.

Figure 6-2 and Figure 6-3 illustrate the SPI timing and introduces its parameters. The corresponding timing parameter definitions  $t_1 - t_9$  are defined in Section 12.4.

**Figure 6-2.** SPI Timing, Global Map and Definition of Timing Parameters  $t_5, t_6, t_8, t_9$ .



**Figure 6-3.** SPI Timing, Detailed Drawing of Timing Parameters  $t_1$  to  $t_4$ .



The SPI is based on a byte-oriented protocol and is always a bidirectional communication between the master and slave. The SPI master starts the transfer by asserting  $/\text{SEL} = \text{L}$ . Then the master generates eight SPI clock cycles to transfer one byte to the radio transceiver (via MOSI). At the same time, the slave transmits one byte to the master (via MISO). When the master wants to receive one byte of data from the slave, it must also transmit one byte to the slave. All bytes are transferred with the MSB first. An SPI transaction is finished by releasing  $/\text{SEL} = \text{H}$ .

An SPI register access consists of two bytes, a Frame Buffer or SRAM access of at least two or more bytes as described in Section 6.3.

$/\text{SEL} = \text{L}$  enables the MISO output driver of the Atmel AT86RF212B. The MSB of MISO is valid after  $t_1$  (see Section 12.4) and is updated on each SCLK falling edge. If the driver is disabled, there is no internal pull-up transistor connected to it. Driving the appropriate signal level must be ensured by the master device or an external pull-up resistor.

Note: 1. When both /SEL and /RST are active, the MISO output driver is also enabled.

Referring to [Figure 6-2](#) and [Figure 6-3](#), Atmel AT86RF212B MOSI is sampled at the rising edge of the SCLK signal and the output is set at the falling edge of SCLK. The signal must be stable before and after the rising edge of SCLK as specified by  $t_3$  and  $t_4$ , refer to [Section 12.4](#) parameters.

This SPI operational mode is commonly known as “SPI mode 0”.

## 6.3 SPI Protocol

Each SPI sequence starts with transferring a command byte from the SPI master via MOSI (see [Table 6-2](#)) with the MSB first. This command byte defines the SPI access mode and additional mode-dependent information.

**Table 6-2.** SPI Command Byte Definition.

Bit 7	Bit 6	Bit 5	Bit 4	Bit 3	Bit 2	Bit 1	Bit 0	Access Mode	Access Type
1	0	Register address [5:0]						Register access	Read access
1	1	Register address [5:0]							Write access
0	0	1	Reserved					Frame Buffer access	Read access
0	1	1	Reserved						Write access
0	0	0	Reserved					SRAM access	Read access
0	1	0	Reserved						Write access

Each SPI transfer returns bytes back to the SPI master on MISO output pin. The content of the first byte (see value “PHY\_STATUS” in [Figure 6-4](#) to [Figure 6-14](#)) is set to zero after reset. To transfer status information of the radio transceiver to the microcontroller, the content of the first byte can be configured with register bits SPI\_CMD\_MODE (register 0x04, TRX\_CTRL\_1). For details, refer to [Section 6.4.1](#).

Note: 1. Return values on MISO stated as XX shall be ignored by the microcontroller. The different access modes are described within the following sections.

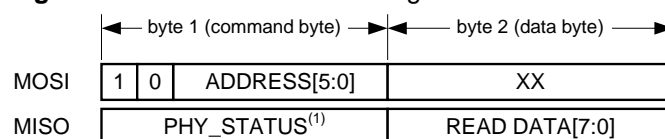
### 6.3.1 Register Access Mode

Register Access Mode is used to read and write AT86RF212B registers (register address from 0x00 up to 0x3F).

A register access mode is a two-byte read/write operation initiated by /SEL = L. The first transferred byte on MOSI is the command byte including an identifier bit (bit[7] = 1), a read/write select bit (bit[6]), and a 6-bit register address.

On read access, the content of the selected register address is returned in the second byte on MISO (see [Figure 6-4](#)).

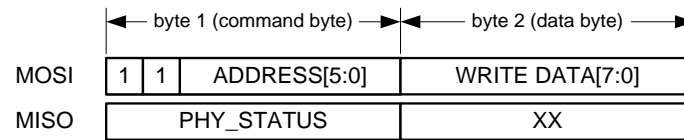
**Figure 6-4.** Packet Structure - Register Read Access.



Note: 1. Each SPI access can be configured to return radio controller status information (PHY\_STATUS) on MISO, for details refer to [Section 6.4](#).

On write access, the second byte transferred on MOSI contains the write data to the selected address (see [Figure 6-5](#)).

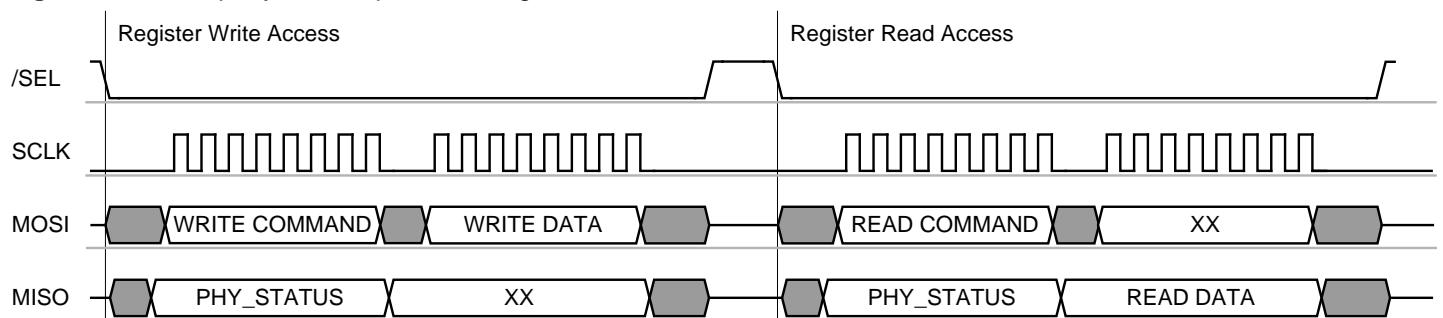
**Figure 6-5. Packet Structure - Register Write Access.**



Each register access must be terminated by setting /SEL = H.

[Figure 6-6](#) illustrates a typical SPI sequence for a register access sequence for write and read respectively.

**Figure 6-6. Exemplary SPI Sequence – Register Access Mode.**



### 6.3.2 Frame Buffer Access Mode

Frame Buffer Access Mode is used to read and write Atmel AT86RF212B frame buffer. The frame buffer address is always reset to zero and incremented to access PSDU, LQI, ED and RX\_STATUS data.

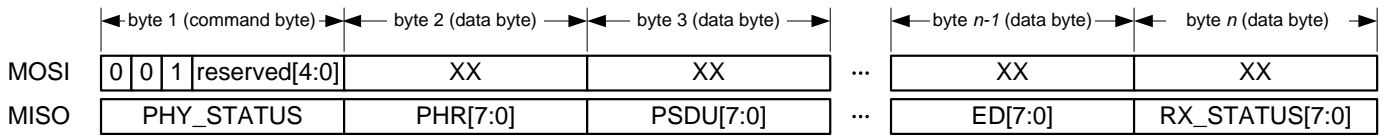
The Frame Buffer can hold up to 128-byte of one PHY service data unit (PSDU) IEEE 802.15.4 data frame. A detailed description of the Frame Buffer can be found in [Section 9.4](#). An introduction to the IEEE 802.15.4 frame format can be found in [Section 8.1](#).

Each access starts with /SEL = L followed by a command byte on MOSI. Each frame read or write access command byte is followed by the PHR data byte, indicating the frame length, followed by the PSDU data, see [Figure 6-7](#) and [Figure 6-8](#).

In Frame Buffer Access Mode during buffer reads, the PHY header (PHR) and the PSDU data are transferred via MISO following PHY\_STATUS byte. Once the PSDU data is uploaded, three more bytes are transferred containing the link quality indication (LQI) value, the energy detection (ED) value, and the status information (RX\_STATUS) of the received frame, for LQI details refer to [Section 8.8](#). The [Figure 6-7](#) illustrates the packet structure of a Frame Buffer read access.

- Note: 1. The frame buffer read access can be terminated immediately at any time by setting pin 23 (/SEL) = H, for example after reading the PHR byte only.

**Figure 6-7. Packet Structure - Frame Read Access.**



The structure of RX\_STATUS is described in [Table 6-3](#).

**Table 6-3. Structure of RX\_STATUS.**

Bit	7	6	5	4	
	RX_CRC_VALID		TRAC_STATUS		RX_STATUS
Read/Write	R	R	R	R	
Reset value	0	0	0	0	
Bit	3	2	1	0	
	reserved				RX_STATUS
Read/Write	R	R	R	R	
Reset value	0	0	0	0	

Note: 2. More information to RX\_CRC\_VALID, see [Section 8.3.5](#), and to TRAC\_STATUS, see [Section 7.2.6](#).

On frame buffer write access, the second byte transferred on MOSI contains the frame length (PHR field) followed by the payload data (PSDU) as shown in [Figure 6-8](#).

**Figure 6-8. Packet Structure - Frame Write Access.**



The number of bytes  $n$  for one frame buffer access is calculated as follows:

**Read Access:**  $n = 5 + \text{frame\_length}$

[PHY\_STATUS, PHR byte, PSDU data, LQI, ED, and RX\_STATUS]

**Write Access:**  $n = 2 + \text{frame\_length}$

[command byte, PHR byte, and PSDU data]

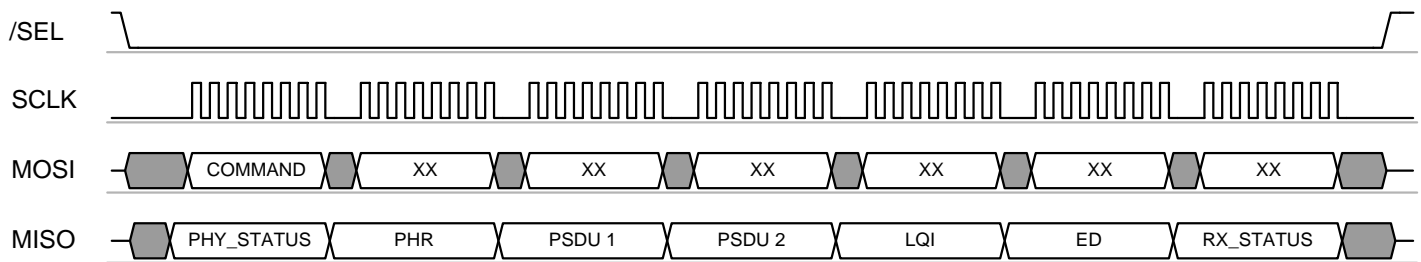
The maximum value of  $\text{frame\_length}$  is 127 bytes. That means that  $n \leq 132$  for Frame Buffer read and  $n \leq 129$  for Frame Buffer write accesses.

Each read or write of a data byte automatically increments the address counter of the Frame Buffer until the access is terminated by setting /SEL = H. A Frame Buffer read access can be terminated at any time without any consequences by setting /SEL = H, for example after reading the frame length byte only. A successive Frame Buffer read operation starts again with the PHR field.

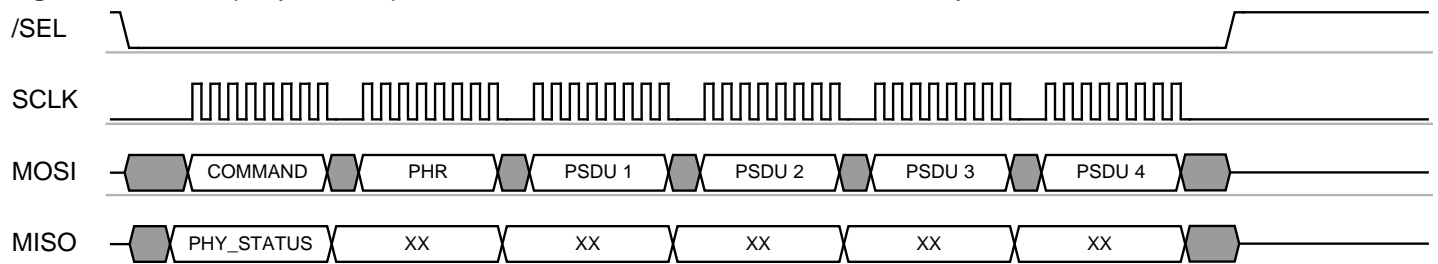
The content of the Atmel AT86RF212B Frame Buffer is overwritten by a new received frame or a Frame Buffer write access.

[Figure 6-9](#) and [Figure 6-10](#) illustrate an exemplary SPI sequence of a Frame Buffer access to read a frame with 2-byte PSDU and write a frame with 4-byte PSDU.

**Figure 6-9.** Exemplary SPI Sequence - Frame Buffer Read of a Frame with 2-byte PSDU.



**Figure 6-10.** Exemplary SPI Sequence - Frame Buffer Write of a Frame with 4-byte PSDU.



Access violations during a Frame Buffer read or write access are indicated by interrupt IRQ\_6 (TRX\_UR). For further details, refer to [Section 9.4](#).

- Notes:
1. The Frame Buffer is shared between RX and TX operations, the frame data is overwritten by freshly received data frames. If an existing TX payload data frame is to be retransmitted, it must be ensured that no TX data is overwritten by newly received RX data.
  2. To avoid overwriting during receive *Dynamic Frame Buffer Protection* can be enabled, refer to [Section 11.7](#).
  3. For exceptions, receiving acknowledgement frames in Extended Operating Mode (TX\_aret) refer to [Section 7.2.4](#).

### 6.3.3 SRAM Access Mode

The SRAM access mode is used to read and write Atmel AT86RF212B frame buffer beginning with a specified byte address. It enables to access dedicated buffer data directly from a desired address without a need of incrementing the frame buffer from the top.

The SRAM access mode allows accessing dedicated bytes within the Frame Buffer or AES address space, refer to [Section 11.1](#). This may reduce the SPI traffic.

During frame receive, after occurrence of IRQ\_2 (RX\_START), an SRAM access can be used to upload the PHR field while preserving Dynamic Frame Buffer Protection, see [Section 11.7](#).

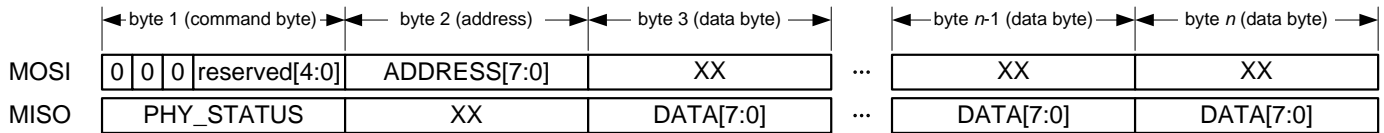
Each SRAM access starts with /SEL = L. The first transferred byte on MOSI shall be the command byte and must indicate an SRAM access mode according to the definition in [Table 6-2](#). The following byte indicates the start address of the write or read access.

SRAM address space:

- Frame Buffer: 0x00 to 0x7F
- AES: 0x82 to 0x94

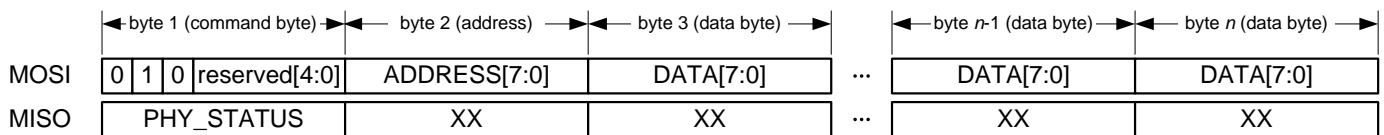
On SRAM read access, one or more bytes of read data are transferred on MISO starting with the third byte of the access sequence; refer to [Figure 6-11](#).

**Figure 6-11. Packet Structure – SRAM Read Access.**



On SRAM write access, one or more bytes of write data are transferred on MOSI starting with the third byte of the access sequence; refer to [Figure 6-12](#). Do not attempt to read or write bytes beyond the SRAM buffer size.

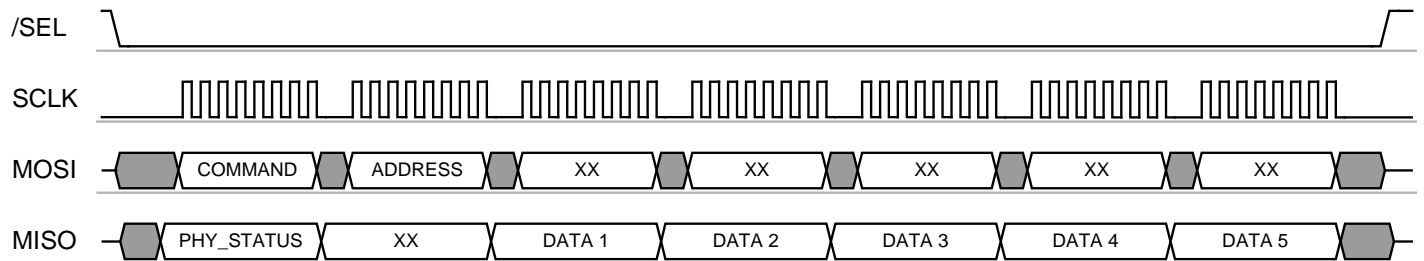
**Figure 6-12. Packet Structure – SRAM Write Access.**



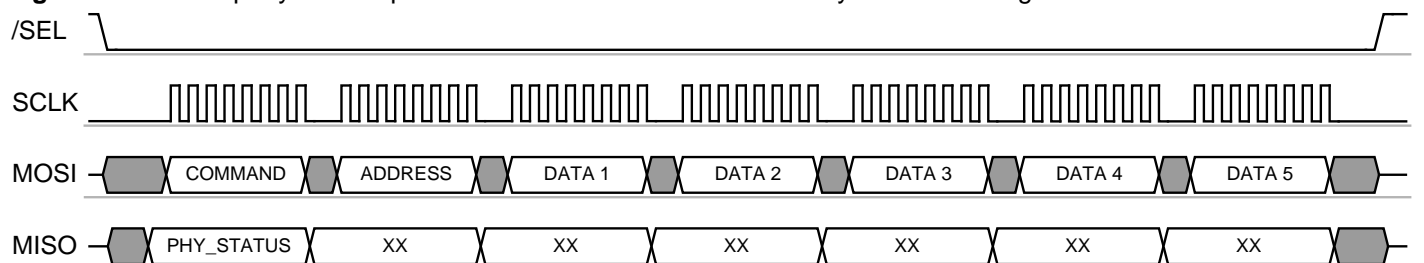
As long as /SEL = L, every subsequent byte read or byte write increments the address counter of the Frame Buffer until the SRAM access is terminated by /SEL = H.

[Figure 6-13](#) and [Figure 6-14](#) illustrate an exemplary SPI sequence of an Atmel AT86RF212B SRAM access to read and write a data package of five byte length, respectively.

**Figure 6-13. Exemplary SPI Sequence – SRAM Read Access of a 5-byte Data Package.**



**Figure 6-14. Exemplary SPI Sequence – SRAM Write Access of a 5-byte Data Package.**



- Notes:
1. The SRAM access mode is not intended to be used as an alternative to the Frame Buffer access modes (see [Section 6.3.2](#)).
  2. Frame Buffer access violations are not indicated by a TRX\_UR interrupt when using the SRAM access mode, for further details refer to [Section 9.4.3](#).

## 6.4 Radio Transceiver Status Information

Each Atmel AT86RF212B SPI access can return radio transceiver status information which is a first byte transmitted out of MISO output as the serial data is being shifted into MOSI input. Radio transceiver status information (PHY\_STATUS) can be configured using register bits SPI\_CMD\_MODE (register 0x04, TRX\_CTRL\_1) to return TRX\_STATUS, PHY\_RSSI or IRQ\_STATUS register as shown in below.

### 6.4.1 Register Description

#### Register 0x04 (TRX\_CTRL\_1):

The TRX\_CTRL\_1 register is a multi-purpose register to control various operating modes and settings of the radio transceiver.

**Figure 6-15.** Register TRX\_CTRL\_1.

Bit	7	6	5	4					
0x04	<table border="1" style="width: 100%; border-collapse: collapse;"> <tr> <td style="width: 25%; text-align: center;">PA_EXT_EN</td> <td style="width: 25%; text-align: center;">IRQ_2_EXT_EN</td> <td style="width: 25%; text-align: center;">TX_AUTO_CRC_ON</td> <td style="width: 25%; text-align: center;">RX_BL_CTRL</td> </tr> </table>				PA_EXT_EN	IRQ_2_EXT_EN	TX_AUTO_CRC_ON	RX_BL_CTRL	TRX_CTRL_1
PA_EXT_EN	IRQ_2_EXT_EN	TX_AUTO_CRC_ON	RX_BL_CTRL						
Read/Write	R/W	R/W	R/W	R/W					
Reset value	0	0	1	0					
Bit	3	2	1	0					
0x04	<table border="1" style="width: 100%; border-collapse: collapse;"> <tr> <td style="width: 33%; text-align: center;">SPI_CMD_MODE</td> <td style="width: 17%; text-align: center;">IRQ_MASK_MODE</td> <td style="width: 17%; text-align: center;">IRQ_POLARITY</td> <td style="width: 33%;"></td> </tr> </table>				SPI_CMD_MODE	IRQ_MASK_MODE	IRQ_POLARITY		TRX_CTRL_1
SPI_CMD_MODE	IRQ_MASK_MODE	IRQ_POLARITY							
Read/Write	R/W	R/W	R/W	R/W					
Reset value	0	0	0	0					

- **Bit 3:2 - SPI\_CMD\_MODE**

Each SPI transfer returns bytes back to the SPI master. The content of the first byte (PHY\_STATUS) can be configured using register bits SPI\_CMD\_MODE.

**Table 6-4.** SPI\_CMD\_MODE.

Register Bits	Value	Description
SPI_CMD_MODE	0	Default (empty, all bits zero)
	1	Monitor TRX_STATUS register
	2	Monitor PHY_RSSI register
	3	Monitor IRQ_STATUS register

## 6.5 Radio Transceiver Identification

Atmel AT86RF212B can be identified by four registers. One 8-bit register contains a unique part number (PART\_NUM) and one register contains the corresponding 8-bit version number (VERSION\_NUM). Two additional 8-bit registers contain the JEDEC manufacture ID.

### 6.5.1 Register Description

#### Register 0x1C (PART\_NUM):

The register PART\_NUM can be used for the radio transceiver identification and includes the part number of the device.

**Figure 6-16.** Register PART\_NUM.

Bit	7	6	5	4	
0x1C	PART_NUM				PART_NUM
Read/Write	R	R	R	R	
Reset value	0	0	0	0	
Bit	3	2	1	0	
0x1C	PART_NUM				PART_NUM
Read/Write	R	R	R	R	
Reset value	0	1	1	1	

- **Bit 7:0 - PART\_NUM**

**Table 6-5.** PART\_NUM.

Register Bits	Value	Description
PART_NUM	<u>0x07</u>	AT86RF212B part number

#### Register 0x1D (VERSION\_NUM):

The register VERSION\_NUM can be used for the radio transceiver identification and includes the version number of the device.

**Figure 6-17.** Register VERSION\_NUM.

Bit	7	6	5	4	
0x1D	VERSION_NUM				VERSION_NUM
Read/Write	R	R	R	R	
Reset value	0	0	0	0	
Bit	3	2	1	0	
0x1D	VERSION_NUM				VERSION_NUM
Read/Write	R	R	R	R	
Reset value	0	0	1	1	

- **Bit 7:0 - VERSION\_NUM**

**Table 6-6.** VERSION\_NUM.

Register Bits	Value	Description
VERSION_NUM	<u>0x03</u>	Revision C

### Register 0x1E (MAN\_ID\_0):

Part one of the JEDEC manufacturer ID.

**Figure 6-18.** Register MAN\_ID\_0.

Bit	7	6	5	4	
0x1E	MAN_ID_0				MAN_ID_0
Read/Write	R	R	R	R	
Reset value	0	0	0	1	
Bit	3	2	1	0	
0x1E	MAN_ID_0				MAN_ID_0
Read/Write	R	R	R	R	
Reset value	1	1	1	1	

- Bit 7:0 - MAN\_ID\_0

**Table 6-7.** MAN\_ID\_0.

Register Bits	Value	Description
MAN_ID_0	<u>0x1F</u>	Atmel JEDEC manufacturer ID, bits[7:0] of the 32-bit JEDEC manufacturer ID are stored in register bits MAN_ID_0. Bits [15:8] are stored in register 0x1F (MAN_ID_1). The higher 16 bits of the ID are not stored in registers.

### Register 0x1F (MAN\_ID\_1):

Part two of the JEDEC manufacturer ID.

**Figure 6-19.** Register MAN\_ID\_1.

Bit	7	6	5	4	
0x1F	MAN_ID_1				MAN_ID_1
Read/Write	R	R	R	R	
Reset value	0	0	0	0	
Bit	3	2	1	0	
0x1F	MAN_ID_1				MAN_ID_1
Read/Write	R	R	R	R	
Reset value	0	0	0	0	

- Bit 7:0 - MAN\_ID\_1

**Table 6-8.** MAN\_ID\_1.

Register Bits	Value	Description
MAN_ID_1	<u>0x00</u>	Atmel JEDEC manufacturer ID, bits[15:8] of the 32-bit JEDEC manufacturer ID are stored in register bits MAN_ID_1. Bits [7:0] are stored in register 0x1E (MAN_ID_0). The higher 16 bits of the ID are not stored in registers.

## 6.6 Sleep/Wake-up and Transmit Signal (SLP\_TR)

Pin 11 (SLP\_TR) is a multi-functional pin. Its function relates to the current state of the Atmel AT86RF212B and is summarized in [Table 6-9](#). The radio transceiver states are explained in detail in [Chapter 7](#).

**Table 6-9.** SLP\_TR Multi-functional Pin.

Transceiver Status	Function	Transition	Description
PLL_ON	TX start	L ⇒ H	Starts frame transmission
TX_ARET_ON	TX start	L ⇒ H	Starts TX_ARET transaction
BUSY_RX_AACK	TX start	L ⇒ H	Starts ACK transmission during RX_AACK slotted operation, see <a href="#">Section 7.2.3.5</a>
TRX_OFF	Sleep	L ⇒ H	Takes the radio transceiver into SLEEP state; CLKM disabled
SLEEP	Wake-up	H ⇒ L	Takes the radio transceiver back into TRX_OFF state, level sensitive
RX_ON	Disable CLKM	L ⇒ H	Takes the radio transceiver into RX_ON_NOCLK state and disables CLKM
RX_ON_NOCLK	Enable CLKM	H ⇒ L	Takes the radio transceiver into RX_ON state and enables CLKM
RX_AACK_ON	Disable CLKM	L ⇒ H	Takes the radio transceiver into RX_AACK_ON_NOCLK state and disables CLKM
RX_AACK_ON_NOCLK	Enable CLKM	H ⇒ L	Takes the radio transceiver into RX_AACK_ON state and enables CLKM

In states PLL\_ON and TX\_ARET\_ON, pin 11 (SLP\_TR) is used as trigger input to initiate a TX transaction. Here SLP\_TR is sensitive on rising edge only.

After initiating a state change by a rising edge at pin 11 (SLP\_TR) in radio transceiver states TRX\_OFF, RX\_ON or RX\_AACK\_ON, the radio transceiver remains in the new state as long as the pin is logical high and returns to the preceding state with the falling edge.

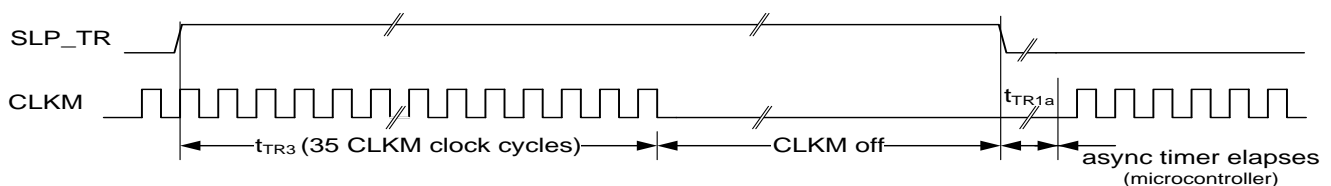
### SLEEP state

The SLEEP state is used when radio transceiver functionality is not required, and thus the AT86RF212B can be powered down to reduce the overall power consumption.

A power-down scenario is shown in [Figure 6-20](#). When the radio transceiver is in TRX\_OFF state, the microcontroller forces the AT86RF212B to SLEEP by setting SLP\_TR = H. If pin 17 (CLKM) provides a clock to the microcontroller, this clock is switched off after 35 CLKM cycles. This enables a microcontroller in a synchronous system to complete its power-down routine and prevent deadlock situations. The AT86RF212B awakes when the microcontroller releases pin 11 (SLP\_TR). This concept provides the lowest possible power consumption.

The CLKM clock frequency settings for CLKM\_CTRL values six and seven are not intended to directly clock the microcontroller. When using these clock rates, CLKM is turned off immediately when entering SLEEP state.

**Figure 6-20.** Sleep and Wake-up Initiated by Asynchronous Microcontroller Timer.



Note: 1. Timing figures  $t_{TR3}$  and  $t_{TR1a}$  refer to [Table 7-1](#).

### RX\_ON and RX\_AACK\_ON states

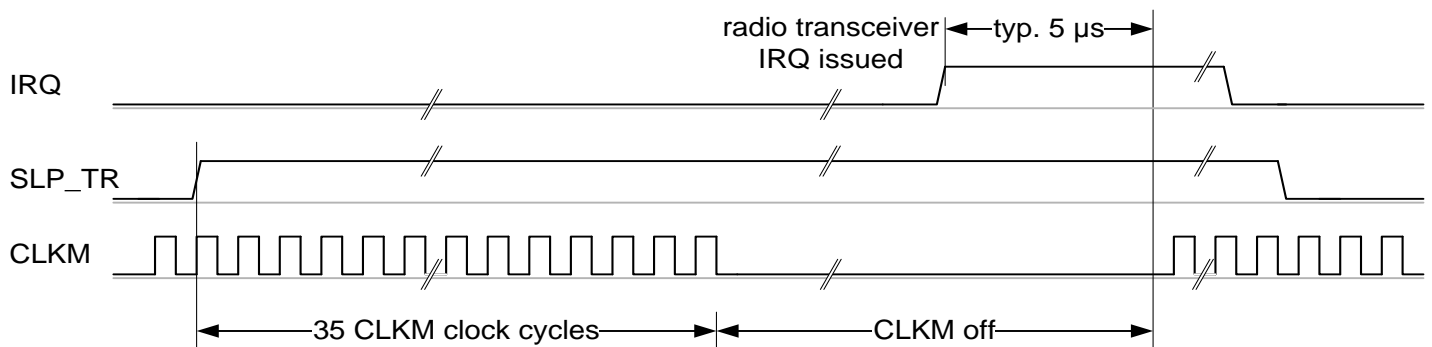
For synchronous systems where CLKM is used as a microcontroller clock source and the SPI master clock (SCLK) is directly derived from CLKM, the Atmel AT86RF212B supports an additional power-down mode for receive operating states (RX\_ON and RX\_AACK\_ON).

If an incoming frame is expected and no other applications are running on the microcontroller, it can be powered down without missing incoming frames. This can be achieved by a rising edge on pin 11 (SLP\_TR) that turns CLKM off. Then the radio transceiver state changes from RX\_ON or RX\_AACK\_ON (Extended Operating Mode) to RX\_ON\_NOCLK or RX\_AACK\_ON\_NOCLK, respectively. In case that a frame is received (for example indicated by an IRQ\_2 (RX\_START) interrupt), the clock output CLKM is automatically switched on again. This scenario is shown in Figure 6-21. In RX\_ON state, the clock at pin 17 (CLKM) is switched off after 35 CLKM cycles when setting SLP\_TR = H.

The CLKM clock frequency settings for CLKM\_CTRL values six and seven are not intended to directly clock the microcontroller. When using these clock rates, CLKM is turned off immediately when entering RX\_ON\_NOCLK or RX\_AACK\_ON\_NOCLK.

In states RX\_(AACK)\_ON\_NOCLK and RX\_(AACK)\_ON, the radio transceiver current consumptions are equivalent. However, the RX\_(AACK)\_ON\_NOCLK current consumption is reduced by the current required for driving pin 17 (CLKM).

**Figure 6-21.** Wake-Up Initiated by Radio Transceiver Interrupt.



## 6.7 Interrupt Logic

### 6.7.1 Overview

Atmel AT86RF212B differentiates between nine interrupt events (eight physical interrupt registers, one shared by two functions). Each interrupt is enabled by setting the corresponding bit in the interrupt mask register 0x0E (IRQ\_MASK). Internally, each pending interrupt is flagged in the interrupt status register. All interrupt events are OR-combined to a single external interrupt signal (IRQ pin). If an interrupt is issued pin 24 (IRQ) = H, the microcontroller shall read the interrupt status register 0x0F (IRQ\_STATUS) to determine the source of the interrupt. A read access to this register clears the interrupt status register and thus the IRQ pin, too.

Interrupts are not cleared automatically when the event trigger for respective interrupt flag bit in the register 0x0F (IRQ\_STATUS) is no longer active. Only a read access to register 0x0F (IRQ\_STATUS) clears the flag bits. Exceptions are IRQ\_0 (PLL\_LOCK) and IRQ\_1 (PLL\_UNLOCK) where each is cleared in addition by the appearance of the other.

The supported interrupts for the Basic Operating Mode are summarized in [Table 6-10](#).

**Table 6-10.** Interrupt Description in Basic Operating Mode.

IRQ Name	Description	Section
IRQ_7 (BAT_LOW)	Indicates a supply voltage below the programmed threshold.	<a href="#">9.6.4</a>
IRQ_6 (TRX_UR)	Indicates a Frame Buffer access violation.	<a href="#">9.4.3</a>
IRQ_5 (AMI)	Indicates address matching.	<a href="#">8.2</a>
IRQ_4 (CCA_ED_DONE)	Multi-functional interrupt:	
	1. AWAKE_END: <ul style="list-style-type: none"> <li>Indicates radio transceiver reached TRX_OFF state at the end of P_ON ⇒ TRX_OFF and SLEEP ⇒ TRX_OFF state transition.</li> </ul>	<a href="#">7.1.2.3</a>
	2. CCA_ED_DONE: <ul style="list-style-type: none"> <li>Indicates the end of a CCA or ED measurement.</li> </ul>	<a href="#">8.6.4</a>
IRQ_3 (TRX_END)	RX: Indicates the completion of a frame reception.	<a href="#">7.1.3</a>
	TX: Indicates the completion of a frame transmission.	<a href="#">7.1.3</a>
IRQ_2 (RX_START)	Indicates the start of a PSDU reception; the AT86RF212B state changed to BUSY_RX; the PHR can be read from Frame Buffer.	<a href="#">7.1.3</a>
IRQ_1 (PLL_UNLOCK)	Indicates PLL unlock. If the radio transceiver is in BUSY_TX / BUSY_TX_ARET state, the PA is turned off immediately.	<a href="#">9.8.5</a>
IRQ_0 (PLL_LOCK)	Indicates PLL lock.	<a href="#">9.8.5</a>

Note: 1. The IRQ\_4 (AWAKE\_END) interrupt can usually not be seen when the transceiver enters TRX\_OFF state after P\_ON or RESET, because register 0x0E (IRQ\_MASK) is reset to mask all interrupts. It is recommended to enable IRQ\_4 (AWAKE\_END) to be notified once the TRX\_OFF state is entered.

The interrupt handling in Extended Operating Mode is described in [Section 7.2.5](#).

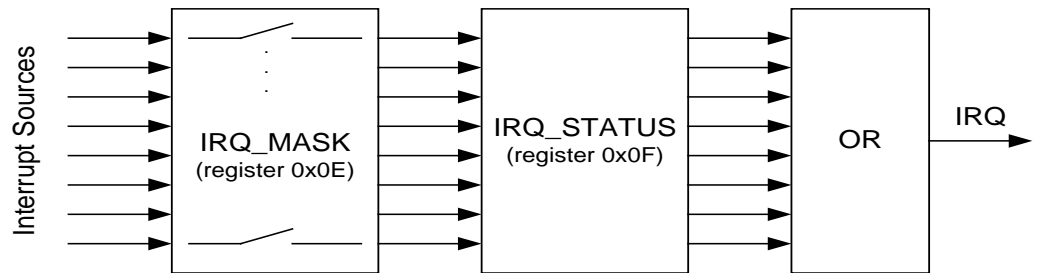
### 6.7.2 Interrupt Mask Modes and Pin Polarity

If register bit `IRQ_MASK_MODE` (register `0x04`, `TRX_CTRL_1`) is set, an interrupt event can be read from `IRQ_STATUS` register even if the interrupt itself is masked. However, in that case no timing information for this interrupt is provided. The [Table 6-11](#), [Figure 6-22](#), and [Figure 6-23](#) describes the function.

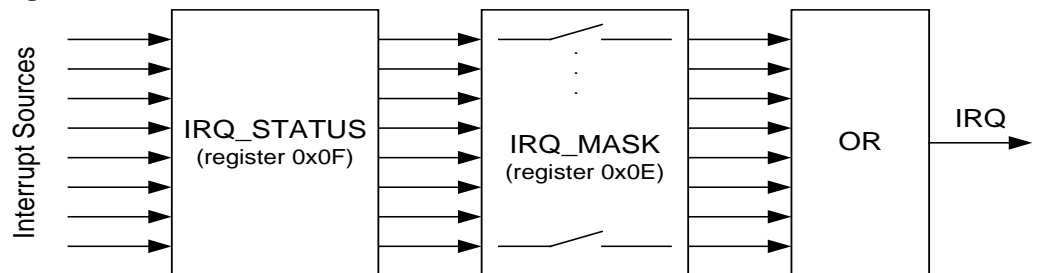
**Table 6-11.** IRQ Mask Configuration.

IRQ_MASK Value	IRQ_MASK_MODE	Description
0	0	IRQ is suppressed entirely and none of interrupt sources are shown in register <code>IRQ_STATUS</code> .
0	1	IRQ is suppressed entirely but all interrupt causes are shown in register <code>IRQ_STATUS</code> .
≠ 0	0	All enabled interrupts are signaled on IRQ pin and are also shown in register <code>IRQ_STATUS</code> .
≠ 0	1	All enabled interrupts are signaled on IRQ pin and all interrupt causes are shown in register <code>IRQ_STATUS</code> .

**Figure 6-22.** `IRQ_MASK_MODE = 0`.



**Figure 6-23.** `IRQ_MASK_MODE = 1`.



The Atmel AT86RF212B IRQ pin polarity can be configured with register bit `IRQ_POLARITY` (register `0x04`, `TRX_CTRL_1`). The default behavior is active high, which means that pin 24 (IRQ) = H issues an interrupt request.

If the “Frame Buffer Empty Indicator” is enabled during Frame Buffer read access, the IRQ pin has an alternative functionality, refer to [Section 11.6](#) for details.

A solution to monitor the `IRQ_STATUS` register (without clearing it) is described in [Section 6.4.1](#).

6.7.3 Register Description

**Register 0x0E (IRQ\_MASK):**

The IRQ\_MASK register controls the interrupt signaling via pin 24 (IRQ).

**Figure 6-24.** Register IRQ\_MASK.

Bit	7	6	5	4	
0x0E	IRQ_MASK				IRQ_MASK
Read/Write	R/W	R/W	R/W	R/W	
Reset value	0	0	0	0	
Bit	3	2	1	0	
0x0E	IRQ_MASK				IRQ_MASK
Read/Write	R/W	R/W	R/W	R/W	
Reset value	0	0	0	0	

• **Bit 7:0 - IRQ\_MASK**

Mask register for interrupts. IRQ\_MASK[7] corresponds to IRQ\_7 (BAT\_LOW). IRQ\_MASK[0] corresponds to IRQ\_0 (PLL\_LOCK).

**Table 6-12.** IRQ\_MASK.

Register Bits	Value	Description
IRQ_MASK	0x00	The IRQ_MASK register is used to enable or disable individual interrupts. An interrupt is enabled if the corresponding bit is set to one. All interrupts are disabled after power-on sequence (P_ON state) or reset (RESET state). Valid values are [0xFF, 0xFE, ..., 0x00].

Note: 1. If an interrupt is enabled it is recommended to read the interrupt status register 0x0F (IRQ\_STATUS) first to clear the history.

**Register 0x0F (IRQ\_STATUS):**

The IRQ\_STATUS register contains the status of the pending interrupt requests.

**Figure 6-25.** Register IRQ\_STATUS.

Bit	7	6	5	4	
0x0F	IRQ_7_BAT_LOW	IRQ_6_TRX_UR	IRQ_5_AMI	IRQ_4_CCA_ED_DONE	IRQ_STATUS
Read/Write	R	R	R	R	
Reset value	0	0	0	0	
Bit	3	2	1	0	
0x0F	IRQ_3_TRX_END	IRQ_2_RX_START	IRQ_1_PLL_UNLOCK	IRQ_0_PLL_LOCK	IRQ_STATUS
Read/Write	R	R	R	R	
Reset value	0	0	0	0	

For more information to meanings of interrupts, see [Table 6-10](#) Interrupt Description in Basic Operating Mode.

By reading the register after an interrupt is signaled at pin 24 (IRQ), the source of the issued interrupt can be identified. A read access to this register resets all interrupt bits, and so clears the IRQ\_STATUS register.

- Notes:
1. If register bit IRQ\_MASK\_MODE (register 0x04, TRX\_CTRL\_1) is set, an interrupt event can be read from IRQ\_STATUS register even if the interrupt itself is masked; refer to Figure 6-23. However in that case no timing information for this interrupt is provided.
  2. If register bit IRQ\_MASK\_MODE (register 0x04, TRX\_CTRL\_1) is set, it is recommended to read the interrupt status register 0x0F (IRQ\_STATUS) first to clear the history.

### Register 0x04 (TRX\_CTRL\_1):

The TRX\_CTRL\_1 register is a multi-purpose register to control various operating modes and settings of the radio transceiver.

**Figure 6-26.** Register TRX\_CTRL\_1.

Bit	7	6	5	4	
0x04	PA_EXT_EN	IRQ_2_EXT_EN	TX_AUTO_CRC_ON	RX_BL_CTRL	TRX_CTRL_1
Read/Write	R/W	R/W	R/W	R/W	
Reset value	0	0	1	0	
Bit	3	2	1	0	
0x04	SPL_CMD_MODE		IRQ_MASK_MODE	IRQ_POLARITY	TRX_CTRL_1
Read/Write	R/W	R/W	R/W	R/W	
Reset value	0	0	0	0	

#### • Bit 6 - IRQ\_2\_EXT\_EN

The register bit IRQ\_2\_EXT\_EN controls external signaling for time stamping via pin 10 (DIG2).

**Table 6-13.** IRQ\_2\_EXT\_EN.

Register Bits	Value	Description
IRQ_2_EXT_EN	0	Time stamping over pin 10 (DIG2) is disabled
	1 <sup>(1)</sup>	Time stamping over pin 10 (DIG2) is enabled

Note: 1. The pin 10 (DIG2) is also active if the corresponding interrupt event IRQ\_2 (RX\_START) mask bit in register 0x0E (IRQ\_MASK) is set to zero.

The timing of a received frame can be determined by a separate pin 10 (DIG2). If register bit IRQ\_2\_EXT\_EN is set to one, the reception of a PHR field is directly issued on pin 10 (DIG2), similar to interrupt IRQ\_2 (RX\_START).

For further details refer to Section 11.5.

- **Bit 1 - IRQ\_MASK\_MODE**

The radio transceiver supports polling of interrupt events. Interrupt polling is enabled by setting register bit IRQ\_MASK\_MODE.

**Table 6-14. IRQ\_MASK\_MODE.**

Register Bits	Value	Description
IRQ_MASK_MODE	0	Interrupt polling is disabled. Masked off IRQ bits will not appear in IRQ_STATUS register.
	1	Interrupt polling is enabled. Masked off IRQ bits will appear in IRQ_STATUS register.

With the interrupt polling enabled (IRQ\_MASK\_MODE = 1) the interrupt events are flagged in the register 0x0F (IRQ\_STATUS) when their respective mask bits are disabled in the register 0x0E (IRQ\_MASK).

- **Bit 0 - IRQ\_POLARITY**

The register bit IRQ\_POLARITY controls the polarity for pin 24 (IRQ). The default polarity of the pin 24 (IRQ) is active high. The polarity can be configured to active low via register bit IRQ\_POLARITY.

**Table 6-15. IRQ\_POLARITY.**

Register Bits	Value	Description
IRQ_POLARITY	0	Pin IRQ is high active
	1	Pin IRQ is low active

Note: 1. A modification of register bit IRQ\_POLARITY has no influence to RX\_BL\_CTRL behavior.

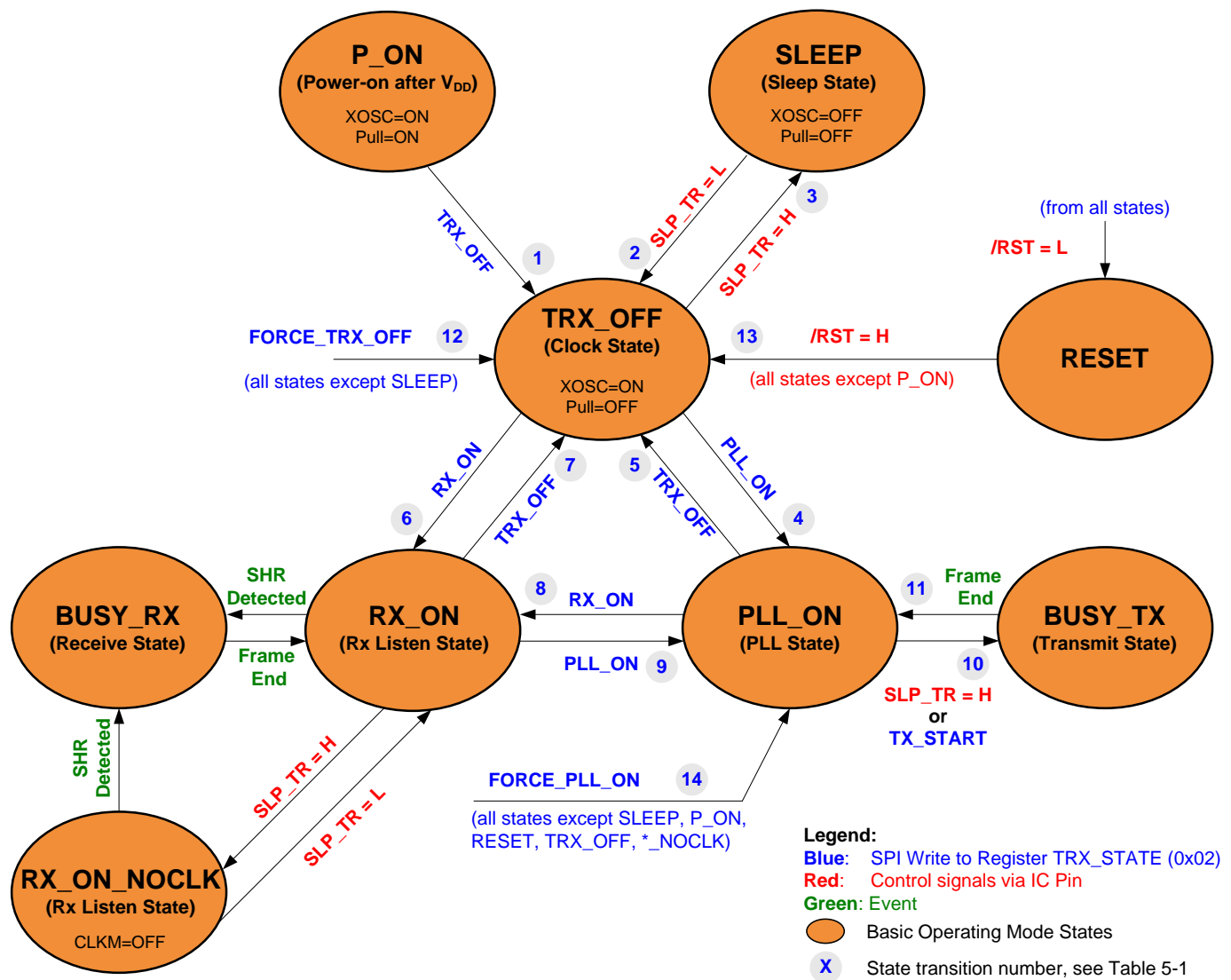
This setting does not affect the polarity of the “Frame Buffer Empty Indicator”, refer to [Section 11.6](#). The Frame Buffer Empty Indicator is always active high.

## 7 Operating Modes

### 7.1 Basic Operating Mode

This section summarizes all states to provide the basic functionality of Atmel AT86RF212B, such as receiving and transmitting frames, the power-on sequence, and sleep. The Basic Operating Mode is designed for IEEE 802.15.4 and general ISM band applications; the corresponding radio transceiver states are shown in Figure 7-1.

Figure 7-1. Basic Operating Mode State Diagram (for timing refer to Table 7-1).



## 7.1.1 State Control

The radio transceiver's states are controlled by shifting serial digital data using the SPI to write individual commands to the command register bits TRX\_CMD (register 0x02, TRX\_STATE). Change of the transceiver state can also be triggered by driving directly two signal pins: pin 11 (SLP\_TR) and pin 8 (/RST). A successful state change can be verified by reading the radio transceiver status from register bits TRX\_STATUS (register 0x01, TRX\_STATUS).

If TRX\_STATUS = 0x1F (STATE\_TRANSITION\_IN\_PROGRESS), the Atmel AT86RF212B is in a state transition. Do not try to initiate a further state change while the radio transceiver is in STATE\_TRANSITION\_IN\_PROGRESS.

Pin 11 (SLP\_TR) is a multifunctional pin, refer to [Section 6.6](#). Depending on the radio transceiver state, a rising edge of pin 11 (SLP\_TR) causes the following state transitions:

- TRX\_OFF                                   ⇒     SLEEP                                   (level sensitive)
- RX\_ON                                     ⇒     RX\_ON\_NOCLK                         (level sensitive)
- PLL\_ON                                   ⇒     BUSY\_TX

Whereas the falling edge of pin SLP\_TR causes the following state transitions:

- SLEEP                                     ⇒     TRX\_OFF                               (level sensitive)
- RX\_ON\_NOCLK                           ⇒     RX\_ON

A low level on pin 8 (/RST) causes a reset of all registers (register bits CLKM\_CTRL are shadowed; for details, refer to [Section 9.7.4](#)) and forces the radio transceiver into TRX\_OFF state. However, if the device was in P\_ON state it remains in the P\_ON state.

For all states except SLEEP, the state change commands FORCE\_TRX\_OFF or TRX\_OFF lead to a transition into TRX\_OFF state. If the radio transceiver is in active receive or transmit states (BUSY\_\*), the command FORCE\_TRX\_OFF interrupts these active processes, and forces an immediate transition to TRX\_OFF. In contrast a TRX\_OFF command is stored until an active state (receiving or transmitting) has been finished. After that the transition to TRX\_OFF is performed.

For a fast transition from any non sleep states to PLL\_ON state the command FORCE\_PLL\_ON is provided. Active processes are interrupted. In contrast to FORCE\_TRX\_OFF, this command does not disable the PLL and the analog voltage regulator (AVREG). It is not available in states P\_ON, SLEEP, RESET, and all \*\_NOCLK states.

The completion of each requested state change shall always be confirmed by reading the register bits TRX\_STATUS (register 0x01, TRX\_STATUS).

Note: 1. If FORCE\_TRX\_OFF and FORCE\_PLL\_ON commands are used, it is recommended to set pin 11 (SLP\_TR) = L before.

## 7.1.2 Basic Operating Mode Description

### 7.1.2.1 P\_ON – Power-On after V<sub>DD</sub>

When the external supply voltage (V<sub>DD</sub>) is applied first to the AT86RF212B, the radio transceiver goes into P\_ON state performing an on-chip reset. The crystal oscillator is activated and the default 1MHz master clock is provided at pin 17 (CLKM) after the

crystal oscillator has stabilized. CLKM can be used as a clock source to the microcontroller. The SPI interface and digital voltage regulator (DVREG) are enabled.

The on-chip power-on-reset sets all registers to their default values. A dedicated reset signal from the microcontroller at pin 8 (/RST) is not necessary, but recommended for hardware / software synchronization reasons.

All digital inputs are pulled-up or pulled-down during P\_ON state, refer to [Section 1.3.2](#). This is necessary to support microcontrollers where GPIO signals are floating after power-on or reset. The input pull-up and pull-down transistors are disabled when the radio transceiver leaves P\_ON state towards TRX\_OFF state. A reset during P\_ON state does not change the pull-up and pull-down configuration.

Leaving P\_ON state, output pins DIG1/DIG2 are pulled-down to digital ground, whereas pins DIG3/DIG4 are pulled-down to analog ground, unless their configuration is changed.

Prior to leaving P\_ON, the microcontroller must set the Atmel AT86RF212B pins to the default operating values: pin 11 (SLP\_TR) = L, pin 8 (/RST) = H and pin 23 (/SEL) = H.

All interrupts are disabled by default. Thus, interrupts for state transition control are to be enabled first, for example enable IRQ\_4 (AWAKE\_END) to indicate a state transition to TRX\_OFF state or interrupt IRQ\_0 (PLL\_LOCK) to signal a locked PLL in PLL\_ON state. In P\_ON state a first access to the radio transceiver registers is possible after a default 1MHz master clock is provided at pin 17 (CLKM), refer to  $t_{TR1}$  to [Table 7-1](#).

Once the supply voltage has stabilized and the crystal oscillator has settled (see parameter  $t_{XTAL}$  refer to [Table 7-2](#)), the interrupt mask for the AWAKE\_END should be set. A valid SPI write access to register bits TRX\_CMD (register 0x02, TRX\_STATE) with the command TRX\_OFF or FORCE\_TRX\_OFF initiate a state change from P\_ON towards TRX\_OFF state, which is then indicated by an interrupt IRQ\_4 (AWAKE\_END) if enabled.

#### 7.1.2.2 SLEEP – Sleep State

In SLEEP state, the radio transceiver is disabled. The radio transceiver current consumption is reduced to leakage current plus the current of a low power voltage regulator (typ. 100nA). This regulator provides the supply voltage to the registers to preserve their contents. SLEEP state can only be entered from state TRX\_OFF, by setting SLP\_TR = H.

If CLKM is enabled with a clock rates higher than 250kHz, the SLEEP state is entered 35 CLKM cycles after the rising edge at pin 11 (SLP\_TR). At that time CLKM is turned off. If the CLKM output is already turned off (register bits CLKM\_CTRL = 0), the SLEEP state is entered immediately.

At clock rates of 250kHz and symbol clock rate (CLKM\_CTRL values six and seven; register 0x03, TRX\_CTRL\_0), the main clock at pin 17 (CLKM) is turned off immediately.

Setting SLP\_TR = L returns the radio transceiver back to the TRX\_OFF state. During SLEEP state the radio transceiver register contents and the AES register contents remain valid while the contents of the Frame Buffer are lost.

/RST = L in SLEEP state returns the radio transceiver to TRX\_OFF state and thereby sets all registers to their default values. Exceptions are register bits CLKM\_CTRL (register 0x03, TRX\_CTRL\_0). These register bits require a specific treatment; for details see [Section 9.7.4](#).

## 7.1.2.3 TRX\_OFF – Clock State

In TRX\_OFF the crystal oscillator is running and the master clock is available if enabled. The SPI interface and digital voltage regulator are enabled, thus the radio transceiver registers, the Frame Buffer and security engine (AES) are accessible (see [Section 9.4](#) and [Section 11.1](#)).

In contrast to P\_ON state the pull-up and pull-down configuration is disabled.

- Notes:
1. Pin 11 (SLP\_TR) and pin 8 (/RST) are available for state control.
  2. The analog front-end is disabled during TRX\_OFF state. If TRX\_OFF\_AVDD\_EN (register 0x0C, TRX\_CTRL\_2) is set, the analog voltage regulator is turned on, enabling faster switch to any transmit/receive state.

Entering the TRX\_OFF state from P\_ON, SLEEP, or RESET state, the state change is indicated by interrupt IRQ\_4 (AWAKE\_END) if enabled.

## 7.1.2.4 PLL\_ON – PLL State

Entering the PLL\_ON state from TRX\_OFF state enables the analog voltage regulator (AVREG) first, unless the AVREG is already switched on (register 0x0C, TRX\_OFF\_AVDD\_EN). After the voltage regulator has been settled (see [Table 7-2](#)), the PLL frequency synthesizer is enabled. When the PLL has been settled at the receive frequency to a channel defined by register bits CHANNEL (register 0x08, PHY\_CC\_CCA) or register bits CC\_NUMBER (register 0x13, CC\_CTRL\_0) and CC\_BAND (register 0x14, CC\_CTRL\_1), refer to [Section 9.8.2](#), a successful PLL lock is indicated by issuing an interrupt IRQ\_0 (PLL\_LOCK).

If an RX\_ON command is issued in PLL\_ON state, the receiver is enabled immediately. If the PLL has not been settled before the state change nevertheless takes place. Even if the register bits TRX\_STATUS (register 0x01, TRX\_STATUS) indicates RX\_ON, actual frame reception can only start once the PLL has locked.

The PLL\_ON state corresponds to the TX\_ON state in IEEE 802.15.4.

## 7.1.2.5 RX\_ON and BUSY\_RX – RX Listen and Receive State

In RX\_ON state the receiver is in the RX data polling mode and the PLL frequency synthesizer is locked to its preprogrammed frequency.

The Atmel AT86RF212B receive mode is internally separated into RX\_ON state and BUSY\_RX state. There is no difference between these states with respect to the analog radio transceiver circuitry, which are always turned on. In both states, the receiver and the PLL frequency synthesizer are enabled.

During RX\_ON state, the receiver listens for incoming frames. After detecting a valid synchronization header (SHR), the AT86RF212B automatically enters the BUSY\_RX state. The reception of a valid PHY header (PHR) generates an IRQ\_2 (RX\_START) if enabled.

During PSDU reception, the frame data are stored continuously in the Frame Buffer until the last byte was received. The completion of the frame reception is indicated by an interrupt IRQ\_3 (TRX\_END) and the radio transceiver reenters the state RX\_ON. At the same time the register bit RX\_CRC\_VALID (register 0x06, PHY\_RSSI) is updated with the result of the FCS check (see [Section 8.3](#)).

Received frames are passed to the frame filtering unit, refer to [Section 8.2](#). If the content of the MAC addressing fields (refer to [2] IEEE 802.15.4-2006, Section 7.2.1) generates a match, IRQ\_5 (AMI) interrupt is issued, refer to [Section 6.7](#). The expected address values are to be stored in registers 0x20 – 0x2B (Short address, PAN-ID and

IEEE address). Frame filtering is available in Basic Operating Mode and Extended Operating Mode, refer to [Section 8.2](#).

Leaving state RX\_ON is possible by writing a state change command to register bits TRX\_CMD in register 0x02 (TRX\_STATE).

#### 7.1.2.6 RX\_ON\_NOCLK – RX Listen State without CLKM

In RX\_ON\_NOCLK state the receiver is in the RX data polling mode with CLKM output disabled.

If the radio transceiver is listening for an incoming frame and the microcontroller is not running an application, the microcontroller may be powered down to decrease the total system power consumption. This specific power-down scenario – for systems running in clock synchronous mode (see [Chapter 6](#)) – is supported by the Atmel AT86RF212B using the state RX\_ON\_NOCLK.

This state can only be entered by asserting pin 11 (SLP\_TR) = H while the radio transceiver is in RX\_ON state. Pin 17 (CLKM) is disabled 35 CLKM cycles after the rising edge at pin 11 (SLP\_TR), see [Figure 6-21](#). This allows the microcontroller to complete its power-down sequence.

- Note: 1. For CLKM clock rates 250kHz and symbol clock rates (CLKM\_CTRL values six and seven; register 0x03, TRX\_CTRL\_0), the master clock signal CLKM is switched off immediately after the rising edge of pin 11 (SLP\_TR).

Once in RX\_ON\_NOCLK state a valid SHR header triggers a state transition to BUSY\_RX state. The reception of a frame shall be indicated to the microcontroller by an interrupt indicating the receive status. CLKM is turned on again, and the radio transceiver enters the BUSY\_RX state (see [Section 6.6](#) and [Figure 6-21](#)). When using RX\_ON\_NOCLK, it is essential to enable at least one interrupt request indicating the reception status.

After the receive transaction has been completed, the radio transceiver enters the RX\_ON state. The radio transceiver only reenters the RX\_ON\_NOCLK state when the next rising edge of pin 11 (SLP\_TR) occurs.

If the AT86RF212B is in the RX\_ON\_NOCLK state and pin 11 (SLP\_TR) is reset to logic low, it enters the RX\_ON state and it starts to supply clock on pin 17 (CLKM) again.

- Note: 2. A reset in state RX\_ON\_NOCLK further requires to reset pin 11 (SLP\_TR) to logic low, otherwise the radio transceiver enters directly the SLEEP state.

#### 7.1.2.7 BUSY\_TX – Transmit State

In the BUSY\_TX state AT86RF212B is in the data transmission state.

A transmission can only be initiated from the PLL\_ON state. The transmission can be started either by driving event such as:

- A rising edge on pin 11 (SLP\_TR), or
- A serial TX\_START command via the SPI to register bits TRX\_CMD (register 0x02, TRX\_STATE).

Either of these forces the radio transceiver into the BUSY\_TX state. Refer to [Section 10.2](#) for more details.

During the transition to the BUSY\_TX state, the PLL frequency shifts to the transmit frequency, refer to [Section 9.8.3](#). The actual transmission of the first data chip of the

SHR starts after one symbol period (see note) in order to allow PLL settling and PA ramp-up, see [Figure 7-6](#). After transmission of the SHR, the Frame Buffer content is transmitted. In case the PHR indicates a frame length of zero, the transmission is aborted immediately after the PHR field.

After the frame transmission has been completed, the AT86RF212B automatically turns off the power amplifier, generates an IRQ\_3 (TRX\_END) interrupt, and returns into PLL\_ON state.

Note: 1. Throughout this datasheet, a “symbol period” refers to the definition described in [Section 9.1.3](#).

#### 7.1.2.8 RESET State

The RESET state is used to set back the state machine and to reset all registers of Atmel AT86RF212B to their default values; exceptions are register bits CLKM\_CTRL (register 0x03, TRX\_CTRL\_0). These register bits require a specific treatment, for details see [Section 9.7.4](#).

Once in RESET state a device enters TRX\_OFF state by setting pulling a reset pin high pin 8 (/RST) = H. If the device is still in the P\_ON state it remains in the P\_ON state though. A reset is triggered by pulling /RST pin low pin 8 (/RST) = L and the state returns after setting /RST = H. The reset pulse should have a minimum length as specified in [Section 7.1.4.5](#) and [Section 12.4](#) (parameter  $t_{10}$ ). During reset, the microcontroller has to set the radio transceiver control pins SLP\_TR and /SEL to their default values.

An overview of the register reset values is provided in [Table 14-2](#).

### 7.1.3 Interrupt Handling

All interrupts provided by the Atmel AT86RF212B (see [Table 6-10](#)) are supported in Basic Operating Mode. For example, interrupts are provided to observe the status of radio transceiver RX and TX operations.

When being in receive mode, IRQ\_2 (RX\_START) indicates the detection of a valid PHR first, IRQ\_5 (AMI) an address match, and IRQ\_3 (TRX\_END) the completion of the frame reception. During transmission, IRQ\_3 (TRX\_END) indicates the completion of the frame transmission.

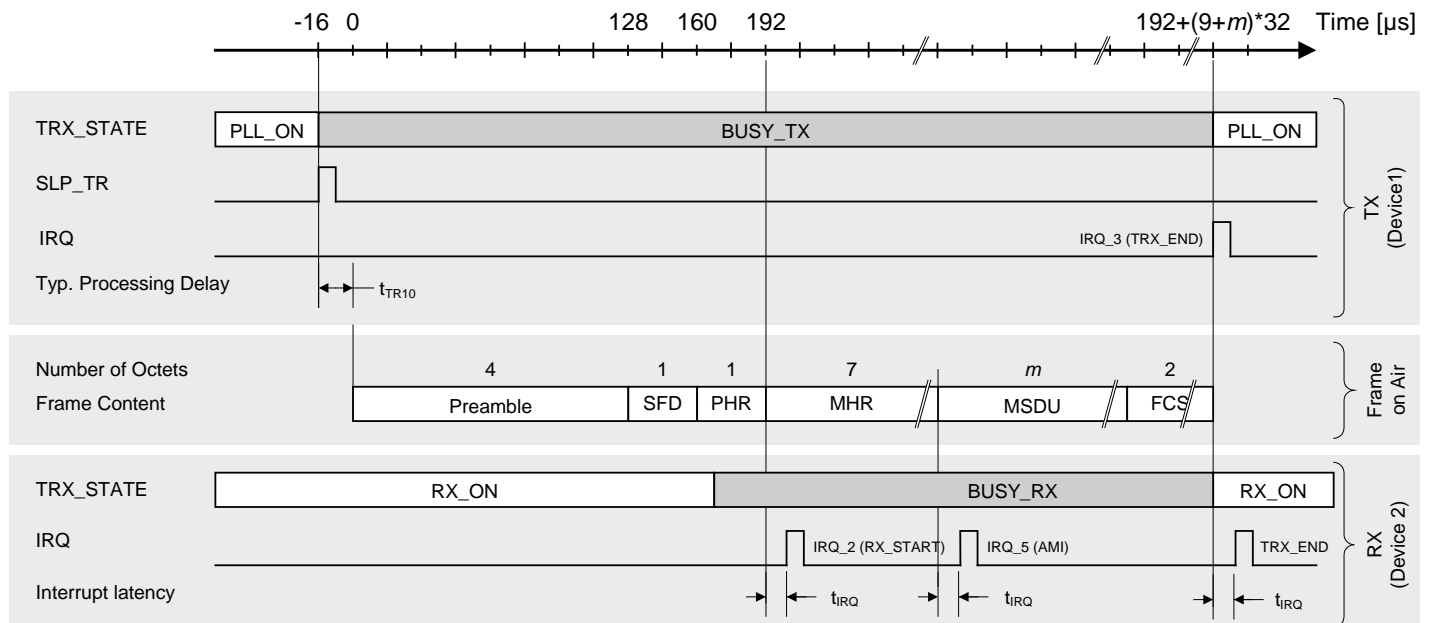
[Figure 7-2](#) shows an example for a transmit/receive transaction between two devices and the related interrupt events in Basic Operating Mode. Device 1 transmits a frame containing a MAC header (in this example of length seven), MAC payload, and a valid FCS. The end of the frame transmission is indicated by IRQ\_3 (TRX\_END).

The frame is received by Device 2. Interrupt IRQ\_2 (RX\_START) indicates the detection of a valid PHR field and IRQ\_3 (TRX\_END) the completion of the frame reception. If the frame passes the Frame Filter (refer to [Section 8.2](#)), an address match interrupt IRQ\_5 (AMI) is issued after the reception of the MAC header (MHR). The received frame is stored in the Frame Buffer.

In Basic Operating Mode the third interrupt IRQ\_3 (TRX\_END) is issued at the end of the received frame. In Extended Operating Mode, refer to [Section 7.2](#); the interrupt is only issued if the received frame passes the address filter and the FCS is valid. Further exceptions are explained in [Section 7.2](#).

Processing delay  $t_{IRQ}$  is a typical value, refer to [Section 12.4](#).

**Figure 7-2.** Timing of RX\_START, AMI and TRX\_END Interrupts in Basic Operating Mode for O-QPSK 250kb/s Mode.



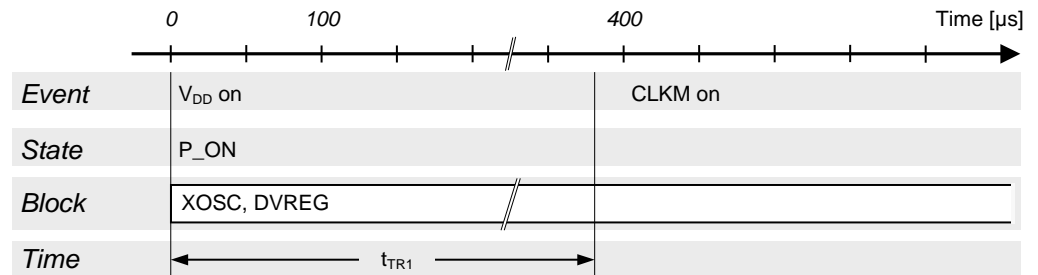
## 7.1.4 Basic Operating Mode Timing

This section depicts Atmel AT86RF212B state transitions and their timing properties. Timing figures are explained in [Table 7-1](#), [Table 7-2](#), and [Section 12.4](#).

### 7.1.4.1 Power-on Procedure

The power-on procedure to P\_ON state is shown in [Figure 7-3](#).

**Figure 7-3.** Power-on Procedure to P\_ON State.

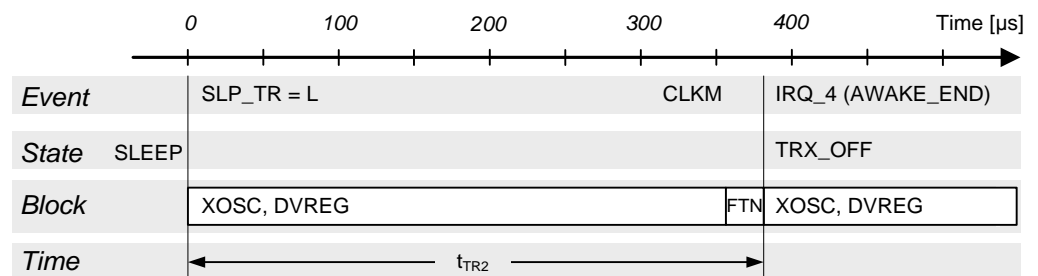


When the external supply voltage ( $V_{DD}$ ) is initially supplied to the AT86RF212B, the radio transceiver enables the crystal oscillator (XOSC) and the internal 1.8V voltage regulator for the digital domain (DVREG). After  $t_{TR1} = 420\mu s$  (typ.), the master clock signal is available at pin 17 (CLKM) at default rate of 1MHz. As soon as CLKM is available the SPI is enabled and can be used to control the transceiver. As long as no state change towards state TRX\_OFF is performed, the radio transceiver remains in P\_ON state.

### 7.1.4.2 Wake-up Procedure from SLEEP

The wake-up procedure from SLEEP state is shown in [Figure 7-4](#).

**Figure 7-4.** Wake-up Procedure from SLEEP State.



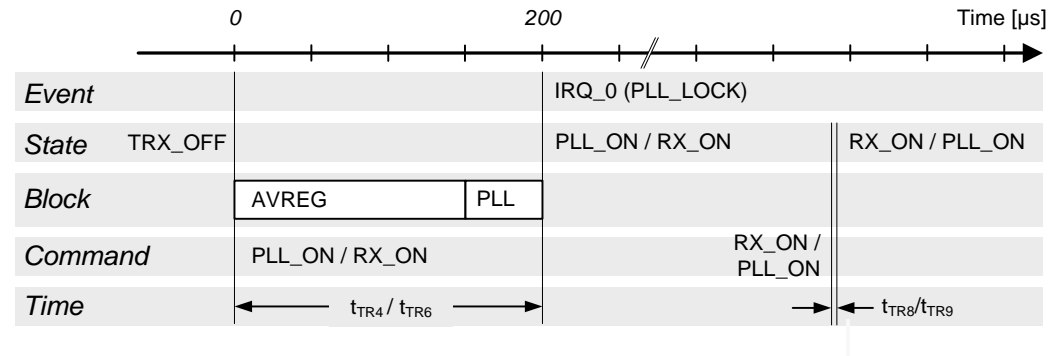
The radio transceiver's SLEEP state is left by releasing pin 11 (SLP\_TR) to logic low. This restarts the XOSC and DVREG. After  $t_{TR2} = 420\mu s$  (typ.) the radio transceiver enters TRX\_OFF state. The internal clock signal is available and provided to pin 17 (CLKM), if enabled.

This procedure is similar to the Power-on Procedure. However the radio transceiver automatically proceeds to the TRX\_OFF state. During this, transition the filter-tuning network (FTN) calibration is performed. Entering TRX\_OFF state is signaled by IRQ\_4 (AWAKE\_END), if this interrupt was enabled by the appropriate mask register bit.

### 7.1.4.3 PLL\_ON and RX\_ON States

The transition from TRX\_OFF to PLL\_ON or RX\_ON state and further to RX\_ON or PLL\_ON is shown in Figure 7-5.

**Figure 7-5.** Transition from TRX\_OFF to PLL\_ON/RX\_ON State and further to RX\_ON/PLL\_ON.



- Notes:
1. If TRX\_CMD = RX\_ON in TRX\_OFF state, RX\_ON state is entered immediately, even if the PLL has not settled.
  2. Timing figures  $t_{TR4}$ ,  $t_{TR6}$ ,  $t_{TR8}$ , and  $t_{TR9}$  refers to Table 7-1.

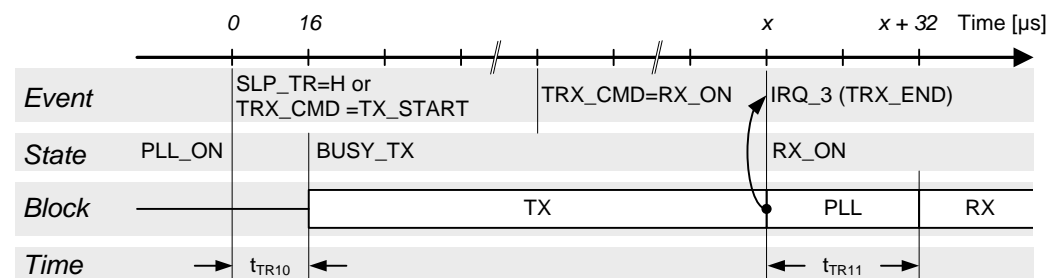
In TRX\_OFF state, entering the commands PLL\_ON or RX\_ON initiates a ramp-up sequence of the internal 1.8V voltage regulator for the analog domain (AVREG). RX\_ON state can be entered any time from PLL\_ON state, regardless whether the PLL has already locked, which is indicated by IRQ\_0 (PLL\_LOCK). Likewise, PLL\_ON state can be entered any time from RX\_ON state.

When TRX\_OFF\_AVDD\_EN (register 0x0C, TRX\_CTRL\_2) is already set in TRX\_OFF state, the analog voltage regulator is turned on immediately and the ramp-up sequence to PLL\_ON or RX\_ON can be accelerated.

### 7.1.4.4 BUSY\_TX to RX\_ON States

The transition from PLL\_ON to BUSY\_TX state and subsequently to RX\_ON state is shown in Figure 7-6.

**Figure 7-6.** PLL\_ON to BUSY\_TX to RX\_ON Timing for O-QPSK 250kb/s Mode.



Starting from PLL\_ON state, it is further assumed that the PLL has already been locked. A transmission is initiated either by a rising edge of pin 11 (SLP\_TR) or by command TX\_START. The PLL settles to the transmit frequency and the PA is enabled. After the duration of  $t_{TR10}$  (one symbol period), the Atmel AT86RF212B

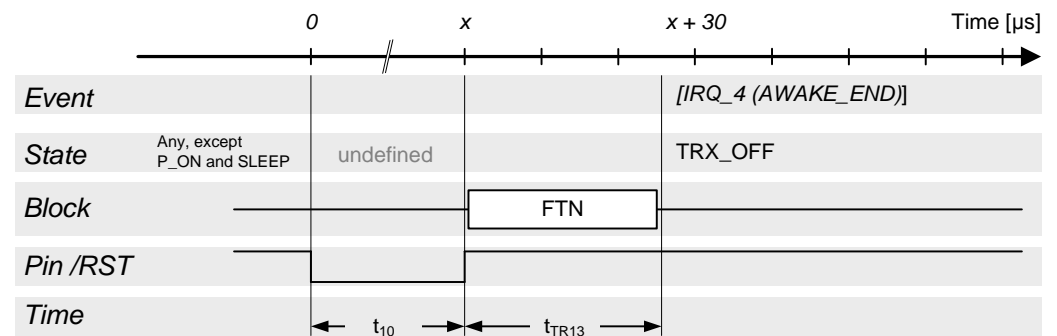
changes into BUSY\_TX state, transmitting the internally generated SHR and the PSDU data of the Frame Buffer. After completing the frame transmission, indicated by IRQ\_3 (TRX\_END), the PLL settles back to the receive frequency within  $t_{TR11} = 32\mu s$  and returns to state PLL\_ON.

If during BUSY\_TX the radio transmitter is requested to change to a receive state, it automatically proceeds to state RX\_ON upon completion of the transmission.

### 7.1.4.5 Reset Procedure

The radio transceiver reset procedure is shown in [Figure 7-7](#).

**Figure 7-7.** Reset Procedure.



Note: 1. Timing figure  $t_{TR13}$  refers to [Table 7-1](#),  $t_{10}$  refers to [Section 12.4](#).

$\text{/RST} = \text{L}$  sets all registers to their default values. Exceptions are register bits CLKM\_CTRL (register 0x03, TRX\_CTRL\_0), refer to [Section 9.7.4](#). After releasing the reset pin 8 ( $\text{/RST} = \text{H}$ ), the wake-up sequence including an FTN calibration cycle is performed, refer to [Section 9.9](#). After that, the TRX\_OFF state is entered.

[Figure 7-7](#) illustrates the reset procedure once P\_ON state was left and the radio transceiver was not in SLEEP state.

The reset procedure is identical for all originating radio transceiver states except of states P\_ON and SLEEP. Instead, the procedures described in [Section 7.1.2.1](#) and [Section 7.1.2.2](#) must be followed to enter the TRX\_OFF state.

If the radio transceiver was in SLEEP state, the XOSC and DVREG are enabled before entering TRX\_OFF state.

If register bits TRX\_STATUS indicates STATE\_TRANSITION\_IN\_PROGRESS during system initialization until the Atmel AT86RF212B reaches TRX\_OFF state, do not try to initiate a further state change while the radio transceiver is in this state.

- Notes: 2. The reset impulse should have a minimum length  $t_{10} = 625\text{ns}$  as specified in [Section 12.4](#).
- 3. An access to the device should not occur earlier than  $t_{11} \geq 625\text{ns}$  after releasing the  $\text{/RST}$  pin; refer to [Section 12.4](#).
- 4. A reset overrides an SPI command request that might have been queued.

### 7.1.4.6 State Transition Timing Summary

The Atmel AT86RF212B transition numbers correspond to [Figure 7-1](#) and do not include SPI access time if not otherwise stated. See measurement setup in [Figure 5-1](#).

**Table 7-1.** State Transition Timing.

Symbol	Parameter	Condition	Min.	Typ.	Max.	Unit
t <sub>TR1</sub>	P_ON⇒CLKM is available	Depends on crystal oscillator setup (Siward A207-011, C <sub>L</sub> =10pF) and external capacitor at DVDD (CB3 = 1μF nom.).		420	1000	μs
t <sub>TR1a</sub>	SLEEP⇒CLKM is available	Depends on crystal oscillator setup (Siward A207-011, C <sub>L</sub> =10pF) and external capacitor at DVDD (CB3 = 1μF nom.).		390	1000	μs
t <sub>TR2</sub>	SLEEP⇒TRX_OFF	Depends on crystal oscillator setup (Siward A207-011, C <sub>L</sub> =10pF) and external capacitor at DVDD (CB3 = 1μF nom.); TRX_OFF state indicated by IRQ_4 (AWAKE_END).		420	1000	μs
t <sub>TR3</sub>	TRX_OFF⇒SLEEP	For f <sub>CLKM</sub> > 250kHz.  Otherwise.		35  0		CLKM cycles  CLKM cycles
t <sub>TR4</sub>	TRX_OFF⇒PLL_ON	Depends on external capacitor at AVDD (CB1 = 1μF nom.); register bit TRX_OFF_AVDD_EN (register 0x0C, TRX_CTRL_2) is not set.		170		μs
t <sub>TR5</sub>	PLL_ON⇒TRX_OFF			1		μs
t <sub>TR6</sub>	TRX_OFF⇒RX_ON	Depends on external capacitor at AVDD (CB1 = 1μF nom.); register bit TRX_OFF_AVDD_EN (register 0x0C, TRX_CTRL_2) is not set.		170		μs
t <sub>TR7</sub>	RX_ON⇒TRX_OFF			1		μs
t <sub>TR8</sub>	PLL_ON⇒RX_ON			1		μs
t <sub>TR9</sub>	RX_ON⇒PLL_ON	Transition time is also valid for TX_ARET_ON, RX_AACK_ON⇒PLL_ON.		1		μs
t <sub>TR10</sub>	PLL_ON⇒BUSY_TX	When asserting pin 11 (SLP_TR) or TRX_CMD = TX_START first symbol transmission is delayed by one symbol period (PLL settling and PA ramp-up).		1		symbol period
t <sub>TR11</sub>	BUSY_TX⇒PLL_ON	PLL settling time.		32		μs
t <sub>TR12</sub>	Various states⇒TRX_OFF	Using TRX_CMD = FORCE_TRX_OFF (see register 0x02, TRX_STATE); not valid for SLEEP⇒TRX_OFF (see t <sub>TR2</sub> ).		1		μs
t <sub>TR13</sub>	RESET⇒TRX_OFF	Not valid for P_ON or SLEEP.		26		μs
t <sub>TR14</sub>	Various states⇒PLL_ON	Using TRX_CMD = FORCE_PLL_ON (see register 0x02, TRX_STATE); not valid for		1		μs

Symbol	Parameter	Condition	Min.	Typ.	Max.	Unit
		states SLEEP, P_ON, RESET, TRX_OFF, and *_NOCLK.				

The state transition timing is calculated based on the timing of the individual blocks shown in [Figure 7-3](#) to [Figure 7-7](#). The worst case values include maximum operating temperature, minimum supply voltage, and device parameter variations.

**Table 7-2.** Block Initialization and Settling Time.

Symbol	Parameter	Condition	Min.	Typ.	Max.	Unit
t <sub>XTAL</sub>	Reference oscillator settling time	Start XTAL⇒clock available at pin 17 (CLKM). Depends on crystal oscillator setup (Siward A207-011, C <sub>L</sub> = 10pF).		420	1000	μs
t <sub>FTN</sub>	FTN calibration time				25	μs
t <sub>DVREG</sub>	DVREG settling time	Depends on external bypass capacitor at DVDD (CB3 = 1μF nom., 10μF worst case).		150	1500	μs
t <sub>AVREG</sub>	AVREG settling time	Depends on external bypass capacitor at AVDD (CB1 = 1μF nom., 10μF worst case).		150	1500	μs
t <sub>PLL_INIT</sub>	Initial PLL settling time	PLL settling time TRX_OFF⇒PLL_ON, including 150μs AVREG settling time.		170	370	μs
t <sub>PLL_SW</sub>	PLL settling time on channel switch	Duration of channel switch within frequency band.		11	42	μs
t <sub>PLL_CF</sub>	PLL CF calibration	PLL center frequency calibration.	8	8	270	μs
t <sub>PLL_DCU</sub>	PLL DCU calibration	PLL DCU calibration.		10	10	μs
t <sub>RX_TX</sub>	RX⇒TX	Maximum settling time RX⇒TX.			16	μs
t <sub>TX_RX</sub>	TX⇒RX	Maximum settling time TX⇒RX.			32	μs
t <sub>RSSI</sub>	RSSI, update	RSSI update period in receive states. BPSK-20: BPSK-40: O-QPSK:		32 24 8		μs μs μs
t <sub>ED</sub>	ED measurement	ED measurement period is eight symbols. Different timing within High Data Rate Modes.		8		symbol
t <sub>CCA</sub>	CCA measurement	CCA measurement period is eight symbols.		8		symbol
t <sub>RND</sub>	Random value, update	Random value update period.		1		μs
t <sub>AES</sub>	AES core cycle time			23.4	24	μs

## 7.1.5 Register Description

### Register 0x01 (TRX\_STATUS):

The read-only register TRX\_STATUS signals the present state of the radio transceiver as well as the status of a CCA operation.

**Figure 7-8.** Register TRX\_STATUS.

Bit	7	6	5	4	
0x01	CCA_DONE	CCA_STATUS	reserved	TRX_STATUS	TRX_STATUS
Read/Write	R	R	R	R	
Reset value	0	0	0	0	
Bit	3	2	1	0	
0x01	TRX_STATUS				TRX_STATUS
Read/Write	R	R	R	R	
Reset value	0	0	0	0	

- **Bit 4:0 - TRX\_STATUS**

The register bits TRX\_STATUS signal the current radio transceiver status.

**Table 7-3.** TRX\_STATUS.

Register Bits	Value	Description
TRX_STATUS	0x00	P_ON
	0x01	BUSY_RX
	0x02	BUSY_TX
	0x06	RX_ON
	0x08	TRX_OFF (CLK Mode)
	0x09	PLL_ON (TX_ON)
	0x0F <sup>(1)</sup>	SLEEP
	0x11 <sup>(2)</sup>	BUSY_RX_AACK
	0x12 <sup>(2)</sup>	BUSY_TX_ARET
	0x16 <sup>(2)</sup>	RX_AACK_ON
	0x19 <sup>(2)</sup>	TX_ARET_ON
	0x1C	RX_ON_NOCLK
	0x1D <sup>(2)</sup>	RX_AACK_ON_NOCLK
	0x1E <sup>(2)</sup>	BUSY_RX_AACK_NOCLK
	0x1F <sup>(3)</sup>	STATE_TRANSITION_IN_PROGRESS
	All other values are reserved	

- Notes:
1. In SLEEP state register not accessible.
  2. Extended Operating Mode only.
  3. Do not try to initiate a further state change while the radio transceiver is in STATE\_TRANSITION\_IN\_PROGRESS state.

A read access to register bits TRX\_STATUS reflects the current radio transceiver state. A state change is initiated by writing a state transition command to register bits TRX\_CMD (register 0x02, TRX\_STATE). Alternatively, some state transitions can be initiated by the rising edge of pin 11 (SLP\_TR) in the appropriate state.

These register bits are used for Basic and Extended Operating Mode, see [Section 7.2](#).

If the requested state transition has not been completed, the TRX\_STATUS returns STATE\_TRANSITION\_IN\_PROGRESS value. Do not try to initiate a further state change while the radio transceiver is in STATE\_TRANSITION\_IN\_PROGRESS state. State transition timings are defined in [Table 7-1](#).

### Register 0x02 (TRX\_STATE):

The radio transceiver states are advanced via register TRX\_STATE by writing a command word into register bits TRX\_CMD. The read-only register bits TRAC\_STATUS indicate the status or result of an Extended Operating Mode transaction.

**Figure 7-9.** Register TRX\_STATE.

Bit	7	6	5	4	
0x02	TRAC_STATUS			TRX_CMD	TRX_STATE
Read/Write	R	R	R	R/W	
Reset value	0	0	0	0	
Bit	3	2	1	0	
0x02	TRX_CMD				TRX_STATE
Read/Write	R/W	R/W	R/W	R/W	
Reset value	0	0	0	0	

- **Bit 4:0 - TRX\_CMD**

A write access to register bits TRX\_CMD initiate a radio transceiver state transition to the new state.

**Table 7-4.** TRX\_CMD.

Register Bits	Value	Description
TRX_CMD	0x00 <sup>(1)</sup>	NOP
	0x02 <sup>(2)</sup>	TX_START
	0x03	FORCE_TRX_OFF
	0x04 <sup>(3)</sup>	FORCE_PLL_ON
	0x06	RX_ON
	0x08	TRX_OFF (CLK Mode)
	0x09	PLL_ON (TX_ON)
	0x16 <sup>(4)</sup>	RX_AACK_ON
	0x19 <sup>(4)</sup>	TX_ARET_ON
		All other values are reserved

- Notes:
1. TRX\_CMD = "0" after power on reset (POR).
  2. The frame transmission starts one symbol after TX\_START command.
  3. FORCE\_PLL\_ON command is not valid in states P\_ON, SLEEP, RESET, and all \*\_NOCLK states, as well as STATE\_TRANSITION\_IN\_PROGRESS towards these states.
  4. Extended Operating Mode only.

A write access to register bits TRX\_CMD initiates a radio transceiver state transition towards the new state.

These register bits are used for Basic and Extended Operating Mode, see [Section 7.2](#).

## 7.2 Extended Operating Mode

Extended Operating Mode makes up for a large set of automated functionality add-ons which can be referred to as a hardware MAC accelerator. These add-ons go beyond the basic radio transceiver functionality provided by the Basic Operating Mode. Extended Operating Mode functions handle time critical MAC tasks, requested by the IEEE 802.15.4 standard, in hardware, such as automatic acknowledgement, automatic CSMA-CA, and retransmission. This results in a more efficient IEEE 802.15.4 software MAC implementation, including reduced code size, and may allow use of a smaller microcontroller or operation at low clock rates.

The Extended Operating Mode is designed to support IEEE 802.15.4-2006 and IEEE 802.15.4-2011 compliant frames; the mode is backward compatible to IEEE 802.15.4-2003 and supports non IEEE 802.15.4 compliant frames. This mode comprises the following procedures:

### **Automatic acknowledgement (RX\_AACK) divides into the tasks:**

- Frame reception and automatic FCS check
- Configurable addressing fields check
- Interrupt indicating address match
- Interrupt indicating frame reception, if it passes address filtering and FCS check
- Automatic ACK frame transmission (if the received frame passed the address filter and FCS check and if an ACK is required by the frame type and ACK request)
- Support of slotted acknowledgment using SLP\_TR pin (used for beacon-enabled operation)

### **Automatic CSMA-CA and Retransmission (TX\_ARET) divides into the tasks:**

- CSMA-CA, including automatic CCA retry and random backoff
- Frame transmission and automatic FCS field generation
- Reception of ACK frame (if an ACK was requested)
- Automatic retry of transmissions if ACK was expected but not received or accepted
- Interrupt signaling with transaction status

Automatic FCS check and generation, refer to [Section 8.3](#), is used by the RX\_AACK and TX\_ARET modes. In RX\_AACK mode, an automatic FCS check is always performed for incoming frames.

In TX\_ARET mode, an ACK which is received within the time required by IEEE 802.15.4 is automatically accepted if the FCS is valid and the ACK sequence number must match the sequence number of the previously transmitted frame. Dependent on the value of the frame pending subfield in the received acknowledgement frame received, the transaction status is set, see register bits TRAC\_STATUS (register 0x02, TRX\_STATE), [Section 7.2.7](#).

An Atmel AT86RF212B state diagram, including the Extended Operating Mode states, is shown in [Figure 7-10](#). Orange marked states represent the Basic Operating Mode; blue marked states represent the Extended Operating Mode.

Figure 7-10. Extended Operating Mode State Diagram.



## 7.2.1 State Control

The Extended Operating Mode include RX\_AACK and TX\_ARET modes and are controlled by writing respective command to register bits TRX\_CMD (register 0x02, TRX\_STATE). Receive with Automatic Acknowledgement state RX\_AACK\_ON and Transmit with Automatic Frame Retransmission and CSMA-CA Retry state TX\_ARET\_ON can be entered either from TRX\_OFF or PLL\_ON state as illustrated in [Figure 7-10](#). The completion of each change state command shall always be confirmed by reading the register bits TRX\_STATUS (register 0x01, TRX\_STATUS).

### **RX\_AACK** - Receive with Automatic Acknowledgement

A state transition to RX\_AACK\_ON from PLL\_ON or TRX\_OFF is initiated by writing the RX\_AACK\_ON command to register bits TRX\_CMD (register 0x02, TRX\_STATE). On success, reading register bits TRX\_STATUS (register 0x01, TRX\_STATUS) returns RX\_AACK\_ON or BUSY\_RX\_AACK. The latter one is returned when a frame is being received.

The RX\_AACK Extended Operating Mode is terminated by writing command PLL\_ON to the register bits TRX\_CMD. If the Atmel AT86RF212B is within a frame receive or acknowledgment procedure (BUSY\_RX\_AACK), the state change is executed after finishing. Alternatively, the commands FORCE\_TRX\_OFF or FORCE\_PLL\_ON can be used to cancel the RX\_AACK transaction and switch to TRX\_OFF or PLL\_ON state respectively.

### **TX\_ARET** - Transmit with Automatic Frame Retransmission and CSMA-CA Retry

A state transition to TX\_ARET\_ON from PLL\_ON or TRX\_OFF is initiated by writing TX\_ARET\_ON command to register bits TRX\_CMD (register 0x02, TRX\_STATE). The radio transceiver is in the TX\_ARET\_ON state when register bits TRX\_STATUS (register 0x01, TRX\_STATUS) return TX\_ARET\_ON. The TX\_ARET transaction (frame transmission) is actually started by a rising edge on pin 11 (SLP\_TR) or by writing the command TX\_START to register bits TRX\_CMD.

The TX\_ARET Extended Operating Mode is terminated by writing the command PLL\_ON to the TRX\_CMD register bits. If the AT86RF212B is in the mids of a CSMA-CA transaction, a frame transmission or an acknowledgment procedure (BUSY\_TX\_ARET), the state change is executed after completing of the operation. Alternatively, the command FORCE\_PLL\_ON can be used to instantly terminate the TX\_ARET transaction and change into transceiver state PLL\_ON, respectively.

- Note:
1. A state change request from TRX\_OFF to RX\_AACK\_ON or TX\_ARET\_ON internally passes through PLL\_ON state to initiate the radio transceiver front end. Inserting PLL\_ON state and associated delays while performing this transition are indicated in [Table 7-1](#). State transitioning can be tracked when interrupt IRQ\_0 (PLL\_LOCK) is used as an indicator.

## 7.2.2 Configuration

As the usage of the Extended Operating Mode is based on Basic Operating Mode functionality, only features beyond the basic radio transceiver functionality are described in the following sections. For details of the Basic Operating Mode, refer to [Section 7.1](#).

When using the RX\_AACK or TX\_aret modes, the following registers need to be configured.

### RX\_AACK configuration steps:

- Set the short address, PAN ID, and IEEE address registers 0x20 – 0x2B
- Configure RX\_AACK properties registers 0x2C, 0x2E
  - Handling of Frame Version Subfield
  - Handling of Pending Data Indicator
  - Characterization as PAN coordinator
  - Handling of Slotted Acknowledgement
- Additional Frame Filtering Properties registers 0x17, 0x2E
  - Use of Promiscuous Mode
  - Use of automatic ACK generation
  - Handling of reserved frame types

The configuration of the Frame Filter is described in [Section 8.2.1](#). The addresses for the address match algorithm are to be stored in the appropriate address registers. Additional control of the RX\_AACK mode is done with register 0x17 (XAH\_CTRL\_1) and register 0x2E (CSMA\_SEED\_1).

As long as a short address is not set, only broadcast frames and frames matching the full 64-bit IEEE address can be received.

Configuration examples for different device operating modes and handling of various frame types can be found in [Section 7.2.3.1](#).

### TX\_aret configuration steps:

- Set register bit TX\_AUTO\_CRC\_ON = 1 register 0x04, TRX\_CTRL\_1
- Configure CSMA-CA
  - MAX\_FRAME\_RETRIES register 0x2C, XAH\_CTRL\_0
  - MAX\_CSMA\_RETRIES register 0x2C, XAH\_CTRL\_0
  - CSMA\_SEED registers 0x2D, 0x2E
  - MAX\_BE, MIN\_BE register 0x2F, CSMA\_BE
- Configure CCA (see [Section 8.6](#))

MAX\_FRAME\_RETRIES (register 0x2C, XAH\_CTRL\_0) defines the maximum number of frame retransmissions.

The register bits MAX\_CSMA\_RETRIES (register 0x2C, XAH\_CTRL\_0) configure the number of CSMA-CA retries after a busy channel is detected.

The register bits CSMA\_SEED (registers 0x2D, 0x2E) define a random seed for the backoff-time random-number generator in the Atmel AT86RF212B.

The register bits MAX\_BE and MIN\_BE (register 0x2F, CSMA\_BE) set the maximum and minimum CSMA backoff exponent (see [2]), respectively.

### 7.2.3 RX\_AACK\_ON – Receive with Automatic ACK

The RX\_AACK Extended Operating Mode handles reception and automatic acknowledgement of IEEE 802.15.4 compliant frames.

The general functionality of the RX\_AACK procedure is shown in [Figure 7-11](#).

The gray shaded area is the standard flow of an RX\_AACK transaction for IEEE 802.15.4 compliant frames, refer to [Section 7.2.3.2](#). All other procedures are exceptions for specific operating modes or frame formats, refer to [Section 7.2.3.3](#).

In RX\_AACK\_ON state, the Atmel AT86RF212B listens for incoming frames. After detecting a valid PHR, the radio transceiver changes into BUSY\_RX\_AACK state and parses the frame content of the MAC header (MHR), refer to [Section 8.1.2](#).

If the content of the MAC addressing fields of the received frame (refer to IEEE 802.15.4 Section 7.2.1) matches one of the configured addresses, dependent on the addressing mode, an address match interrupt IRQ\_5 (AMI) is issued, refer to [Section 8.2](#). The reference address values are to be stored in registers 0x20 – 0x2B (Short address, PAN-ID and IEEE address). Frame filtering as described in [Section 8.2](#) is also applied in Basic Operating Mode. However, in Basic Operating Mode, the result of frame filtering or FCS check do not affect the generation of an interrupt IRQ\_3 (TRX\_END).

Generally, at nodes configured as a normal device or a PAN coordinator, a frame is indicated by interrupt IRQ\_3 (TRX\_END) if the frame passes the Frame Filter and the FCS is valid. The interrupt is issued after the completion of the frame reception. The microcontroller can then read the frame data. An exception applies if promiscuous mode is enabled, see [Section 7.2.3.2](#). In this case, an interrupt IRQ\_3 (TRX\_END) is issued for all frames.

During reception AT86RF212B parses bit[5] (ACK Request) of the frame control field of the received data or MAC command frame to check if an acknowledgement (ACK) reply is expected. If the bit is set and if the frame passes the third level of filtering, see IEEE 802.15.4-2006, Section 7.5.6.2, the radio transceiver automatically generates and transmits an ACK frame. The sequence number is copied from the received frame.

The content of the frame pending subfield of the ACK response is set by register bit AACK\_SET\_PD (register 0x2E, CSMA\_SEED\_1) when the ACK frame is sent in response to a data request MAC command frame, otherwise this subfield is set to zero.

By default, the acknowledgment frame is transmitted *aTurnaroundTime* (12 symbol periods; see IEEE 802.15.4-2006, Section 6.4.1) after the reception of the last symbol of a data or MAC command frame. Optionally, for non-compliant networks, this delay can be reduced to two symbols by register bit AACK\_ACK\_TIME (register 0x2E, XAH\_CTRL\_1).

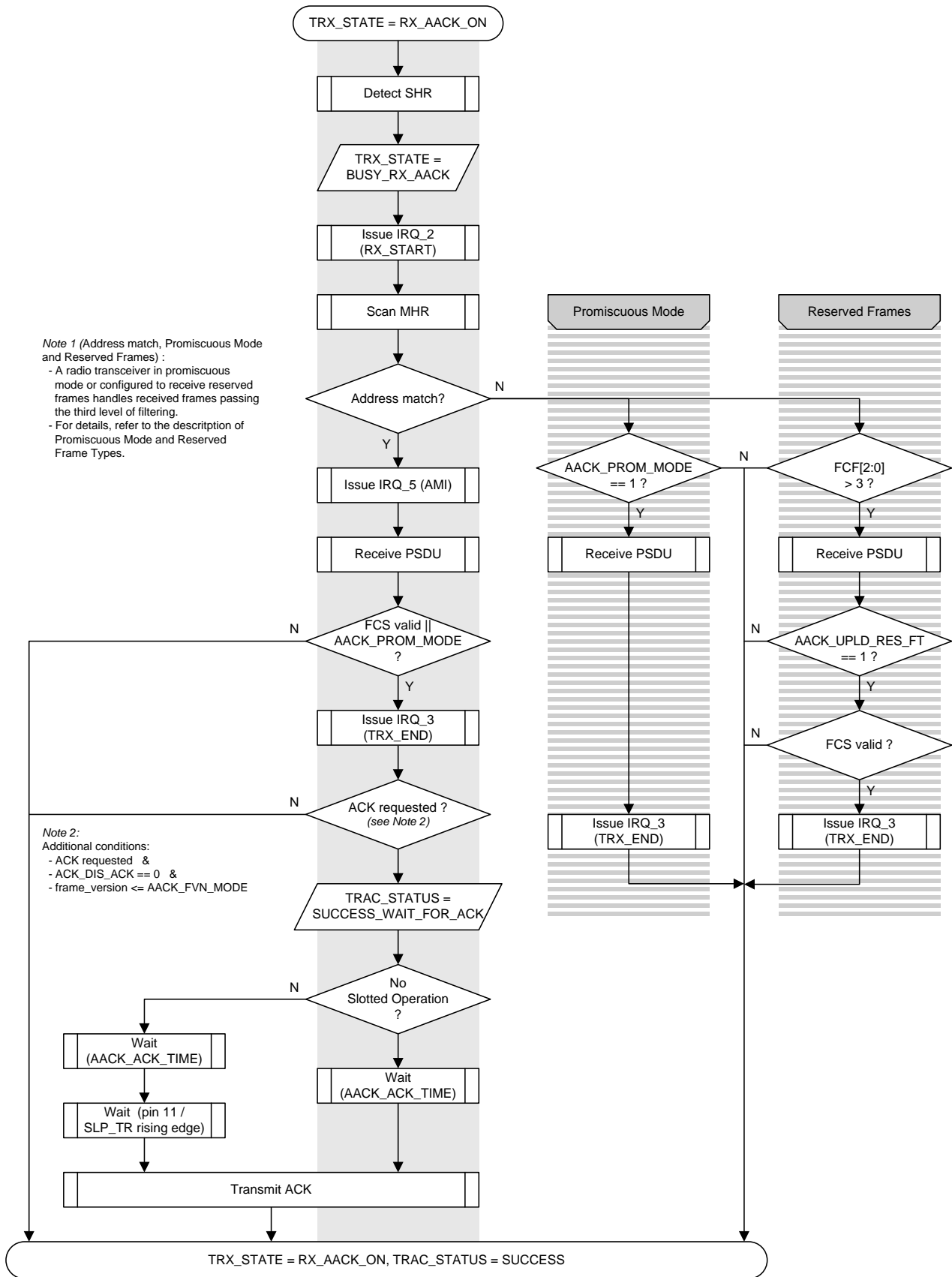
If the register bit AACK\_DIS\_ACK (register 0x2E, CSMA\_SEED\_1) is set, no acknowledgement frame is sent even if an acknowledgment frame is requested. This is useful for operating the MAC hardware accelerator in promiscuous mode, see [Section 7.2.3.2](#).

For slotted operation, the start of the transmission of acknowledgement frames is controlled by pin 11 (SLP\_TR), refer to [Section 7.2.3.5](#).

The status of the RX\_AACK transaction is indicated by register bits TRAC\_STATUS (register 0x02, TRX\_STATE), see [Section 7.2.7](#).

During the operations described above, the AT86RF212B remains in BUSY\_RX\_AACK state.

Figure 7-11. Flow Diagram of RX\_AACK.



### 7.2.3.1 Description of RX\_AACK Configuration Bits

#### Overview

RX\_AACK configuration as described below shall be done prior to switching the AT86RF212B into state RX\_AACK\_ON, refer to [Section 7.2.1](#).

[Table 7-5](#) summarizes all register bits which affect the behavior of an RX\_AACK transaction. For frame filtering it is further required to setup address registers to match the expected address.

**Table 7-5.** Overview of RX\_AACK Configuration Bits.

Register Address	Register Bits	Register Name	Description
0x20,0x21 0x22,0x23 0x24 ... 0x2B		SHORT_ADDR_0/1 PAN_ADDR_0/1 IEEE_ADDR_0 ... IEEE_ADDR_7	Setup Frame Filter, see <a href="#">Section 8.2.1</a> .
0x0C	7	RX_SAFE_MODE	Dynamic frame buffer protection, see <a href="#">Section 11.7</a> .
0x17	1	AACK_PROM_MODE	Support promiscuous mode.
0x17	2	AACK_ACK_TIME	Change auto acknowledge start time.
0x17	4	AACK_UPLD_RES_FT	Enable reserved frame type reception, needed to receive non-standard compliant frames, see <a href="#">Section 7.2.3.3</a> .
0x17	5	AACK_FLTR_RES_FT	Filter reserved frame types like data frame type, needed for filtering of non-standard compliant frames, see <a href="#">Section 7.2.3.3</a> .
0x2C	0	SLOTTED_OPERATION	If set, acknowledgment transmission has to be triggered by pin 11 (SLP_TR), see <a href="#">Section 7.2.3.5</a> .
0x2E	3	AACK_I_AM_COORD	If set, the device is a PAN coordinator, that is responds to a null address, see <a href="#">Section 7.2.3.2</a> .
0x2E	4	AACK_DIS_ACK	Disable generation of acknowledgment.
0x2E	5	AACK_SET_PD	Set frame pending subfield in Frame Control Field (FCF), refer to <a href="#">Section 8.1.2.2</a> .
0x2E	7:6	AACK_FVN_MODE	Controls the ACK behavior, depending on FCF frame version number.

The usage of the RX\_AACK configuration bits for various operating modes of a node is explained in the following sections. Configuration bits not mentioned in the following two sections should be set to their reset values according to [Table 14-2](#).

All registers mentioned in [Table 7-5](#) are described in [Section 7.2.6](#).

The general behavior of the “Atmel AT86RF212B Extended Feature Set”, [Chapter 11](#), settings:

- SFD\_VALUE (alternative SFD value)
- ANT\_DIV (Antenna Diversity)
- RX\_PDT\_LEVEL (blocking frame reception of lower power signals)

are completely independent from RX\_AACK mode and can be arbitrarily combined.

## 7.2.3.2 Configuration of IEEE Compliant Scenarios

### Device not operating as a PAN Coordinator

Table 7-6 shows a typical Atmel AT86RF212B RX\_AACK configuration of an IEEE 802.15.4 device operating as a normal device, rather than a PAN coordinator or router.

**Table 7-6.** Configuration of IEEE 802.15.4 Devices.

Register Address	Register Bits	Register Name	Description
0x20,0x21 0x22,0x23 0x24 ... 0x2B		SHORT_ADDR_0/1 PAN_ADDR_0/1 IEEE_ADDR_0 ... IEEE_ADDR_7	Setup Frame Filter, see Section 8.2.1.
0x0C	7	RX_SAFE_MODE	0: Disable frame protection. 1: Enable frame protection.
0x2C	0	SLOTTED_OPERATION	0: Slotted acknowledgment transmissions are not to be used. 1: Slotted acknowledgment transmissions are to be used, see Section 7.2.3.5.
0x2E	7:6	AACK_FVN_MODE	Controls the ACK behavior, depending on FCF frame version number. <i>b00</i> : Acknowledges only frames with version number 0, that is according to IEEE 802.15.4-2003 frames. <i>b01</i> : Acknowledges only frames with version number 0 or 1, that is frames according to IEEE 802.15.4-2006. <i>b10</i> : Acknowledges only frames with version number 0 or 1 or 2. <i>b11</i> : Acknowledges all frames, independent of the FCF frame version number.

- Notes:
1. The default value of the short address is 0xFFFF. Thus, if no short address has been configured, only frames with either the broadcast address or the IEEE address are accepted by the frame filter.
  2. In the IEEE 802.15.4-2003 standard the frame version subfield does not yet exist but is marked as reserved. According to this standard, reserved fields have to be set to zero. At the same time, the IEEE 802.15.4-2003 standard requires ignoring reserved bits upon reception. Thus, there is a contradiction in the standard which can be interpreted in two ways:
    - a. If a network should only allow access to nodes compliant to IEEE 802.15.4-2003, then AACK\_FVN\_MODE should be set to zero.
    - b. If a device should acknowledge all frames independent of its frame version, AACK\_FVN\_MODE should be set to three. However, this may result in conflicts with co-existing IEEE 802.15.4-2006 standard compliant networks.

The same holds for PAN coordinators, see below.

### PAN Coordinator

Table 7-7 shows the Atmel AT86RF212B RX\_AACK configuration for a PAN coordinator.

**Table 7-7.** Configuration of a PAN Coordinator.

Register Address	Register Bits	Register Name	Description
0x20,0x21 0x22,0x23 0x24 ... 0x2B		SHORT_ADDR_0/1 PAN_ADDR_0/1 IEEE_ADDR_0 ... IEEE_ADDR_7	Setup Frame Filter, see Section 8.2.1.
0x0C	7	RX_SAFE_MODE	0: Disable frame protection. 1: Enable frame protection.
0x2C	0	SLOTTED_OPERATION	0: Slotted acknowledgment transmissions are not to be used. 1: Slotted acknowledgment transmissions are to be used, see Section 7.2.3.5.
0x2E	3	AACK_I_AM_COORD	1: Device is PAN coordinator.
0x2E	5	AACK_SET_PD	0: Frame pending subfield is not set in FCF. 1: Frame pending subfield is set in FCF.
0x2E	7:6	AACK_FVN_MODE	Controls the ACK behavior, depends on FCF frame version number. <i>b00</i> : Acknowledges only frames with version number 0, that is according to IEEE 802.15.4-2003 frames. <i>b01</i> : Acknowledges only frames with version number 0 or 1, that is frames according to IEEE 802.15.4-2006. <i>b10</i> : Acknowledges only frames with version number 0 or 1 or 2. <i>b11</i> : Acknowledges all frames, independent of the FCF frame version number.

### Promiscuous Mode or Sniffer

The promiscuous mode is described in IEEE 802.15.4-2006, Section 7.5.6.5. This mode is further illustrated in Figure 7-11. According to IEEE 802.15.4-2006 when in promiscuous mode, the MAC sub layer shall pass received frames with correct FCS to the next higher layer and shall not process them further. This implies that received frames should never be automatically acknowledged.

In order to support sniffer application and promiscuous mode, only second level filter rules as defined by IEEE 802.15.4-2006, Section 7.5.6.2, are applied to the received frame.

Table 7-8 shows a typical configuration of a device operating in promiscuous mode.

**Table 7-8.** Configuration of Promiscuous Mode.

Register Address	Register Bits	Register Name	Description
0x20,0x21 0x22,0x23 0x24 ... 0x2B		SHORT_ADDR_0/1 PAN_ADDR_0/1 IEEE_ADDR_0 ... IEEE_ADDR_7	Each address shall be set: 0x00.
0x17	1	AACK_PROM_MODE	1: Enable promiscuous mode.
0x2E	4	AACK_DIS_ACK	1: Disable generation of acknowledgment.
0x2E	7:6	AACK_FVN_MODE	Controls the ACK behavior, depends on FCF frame version number. <i>b00</i> : Acknowledges only frames with version number 0, that is according to IEEE 802.15.4-2003 frames. <i>b01</i> : Acknowledges only frames with version number 0 or 1, that is frames according to IEEE 802.15.4-2006. <i>b10</i> : Acknowledges only frames with version number 0 or 1 or 2. <i>b11</i> : Acknowledges all frames, independent of the FCF frame version number.

If the Atmel AT86RF212B radio transceiver is in promiscuous mode, second level of filtering according to IEEE 802.15.4-2006, Section 7.5.6.2, is applied to a received frame. However, an IRQ\_3 (TRX\_END) is issued even if the FCS is invalid. Thus, it is necessary to read register bit RX\_CRC\_VALID (register 0x06, PHY\_RSSI) after IRQ\_3 (TRX\_END) in order to verify the reception of a frame with a valid FCS. Alternatively, bit[7] of byte RX\_STATUS can be evaluated, refer to Section 6.3.2.

If a device, operating in promiscuous mode, receives a frame with a valid FCS which further passed the third level of filtering according to IEEE 802.15.4-2006, Section 7.5.6.2, and an acknowledgement (ACK) frame would be transmitted. But, according to the definition of the promiscuous mode, a received frame shall not be acknowledged, even if requested. Thus, register bit AACK\_DIS\_ACK (register 0x2E, CSMA\_SEED\_1) must be set to one to disable ACK generation.

In all receive modes IRQ\_5 (AMI) interrupt is issued, when the received frame matches the node's address according to the filter rules described in Section 8.2.

Alternatively, in state RX\_ON (Basic Operating Mode, refer to Section 7.1), when a valid PHR is detected, an IRQ\_2 (RX\_START) is generated and the frame is received. The end of the frame reception is signaled with an IRQ\_3 (TRX\_END). At the same time the register bit RX\_CRC\_VALID (register 0x06, PHY\_RSSI) is updated with the result of the FCS check (see Section 8.3). According to the promiscuous mode definition the register bit RX\_CRC\_VALID needs to be checked in order to dismiss corrupted frames.

However, the RX\_AACK transaction additionally enables extended functionality like automatic acknowledgement and non-destructive frame filtering.

### 7.2.3.3 Configuration of non IEEE 802.15.4 Compliant Scenarios

#### Sniffer

Table 7-9 shows an Atmel AT86RF212B RX\_AACK configuration to setup a sniffer device. Other RX\_AACK configuration bits, refer to Table 7-5, should be set to their reset values.

All frames received are indicated by an IRQ\_2 (RX\_START) and IRQ\_3 (TRX\_END). After frame reception register bit RX\_CRC\_VALID (register 0x06, PHY\_RSSI) is updated with the result of the FCS check (see Section 8.3). The RX\_CRC\_VALID bit needs to be checked in order to dismiss corrupted frames.

**Table 7-9.** Configuration of a Sniffer Device.

Register Address	Register Bits	Register Name	Description
0x17	1	AACK_PROM_MODE	1: Enable promiscuous mode.
0x2E	4	AACK_DIS_ACK	1: Disable generation of acknowledgment.

This operating mode is similar to the promiscuous mode.

#### Reception of Reserved Frames

In RX\_AACK mode, frames with reserved frame types (refer to Table 8-3) can also be handled. This might be required when implementing proprietary, non-standard compliant, protocols. The reception of reserved frame types is an extension of the AT86RF212B Frame Filter, see Section 8.2. Received frames are either handled like data frames, or may be allowed to completely bypass the Frame Filter. The flow chart in Figure 7-11 shows the corresponding state machine.

In addition to Table 7-6 or Table 7-7, the following Table 7-10 shows RX\_AACK configuration registers required to setup a node to receive reserved frame types.

**Table 7-10.** RX\_AACK Configuration to Receive Reserved Frame Types.

Register Address	Register Bits	Register Name	Description
0x17	4	AACK_UPLD_RES_FT	1: Enable reserved frame type reception.
0x17	5	AACK_FLTR_RES_FT	Filter reserved frame types like data frame type, see note below. 0: Disable reserved frame types filtering. 1: Enable reserved frame types filtering.

There are three different options for handling reserved frame types.

1. AACK\_UPLD\_RES\_FT = 1, AACK\_FLT\_RES\_FT = 0:

Any non-corrupted frame with a reserved frame type is indicated by an IRQ\_3 (TRX\_END) interrupt. No further address filtering is applied on those frames. An IRQ\_5 (AMI) interrupt is never generated and the acknowledgment subfield is ignored.

2. AACK\_UPLD\_RES\_FT = 1, AACK\_FLT\_RES\_FT = 1:

If AACK\_FLT\_RES\_FT = 1 any frame with a reserved frame type is filtered by the address filter similar to a data frame as described in the standard. This implies the generation of the IRQ\_5 (AMI) interrupts upon address match. An

IRQ\_3 (TRX\_END) interrupt is only generated if the address matched and the frame was not corrupted. An acknowledgment is only send, when the ACK request subfield was set in the received frame and an IRQ\_3 (TRX\_END) interrupt occurred.

3. AACK\_UPLD\_RES\_FT = 0:  
Any received frame with a reserved frame type is discarded.

### Short Acknowledgment Frame (ACK) Start Timing

Register bit AACK\_ACK\_TIME (register 0x17, XAH\_CTRL\_1), see [Table 7-11](#) defines the delay between the end of the frame reception and the start of the transmission of an acknowledgment frame.

**Table 7-11.** ACK Start Timing for Unslotted Operation.

Register Address	Register Bit	Register Name	Description
0x17	2	AACK_ACK_TIME	<p>0: IEEE 802.15.4 standard compliant acknowledgement timing of 12 symbol periods.</p> <p>1: Non-standard IEEE 802.15.4 reduced acknowledgment delay is set to two symbol periods (BPSK-20, O-QPSK-{100,200,400}) or three symbol periods (BPSK-40, O-QPSK-{250,500,1000}).</p>

This feature can be used in all scenarios, independent of other configurations. However, shorter acknowledgment timing is especially useful when using High Data Rate Modes to increase battery lifetime and to improve the overall data throughput; refer to [Section 9.1.4.3](#).

In slotted operation mode, the acknowledgment transmission is actually started by pin 11 (SLP\_TR). [Table 7-12](#) shows that the Atmel AT86RF212B enables the trigger pin with an appropriate delay. Thus, a transmission cannot be started earlier.

**Table 7-12.** ACK Start Timing for Slotted Operation.

Register Address	Register Bit	Register Name	Description
0x17	2	AACK_ACK_TIME	<p>0: Acknowledgment frame transmission can be triggered after six symbol periods.</p> <p>1: Acknowledgment frame transmission can be triggered after three symbol periods.</p>

#### 7.2.3.4 RX\_AACK\_NOCLK – RX\_AACK\_ON without CLKM

If the AT86RF212B is listening for an incoming frame and the microcontroller is not running an application, the microcontroller can be powered down to decrease the total system power consumption. This special power-down scenario for systems running in clock synchronous mode (see [Section 6.2](#)) is supported by the AT86RF212B using the states RX\_AACK\_ON\_NOCLK and BUSY\_RX\_AACK\_NOCLK, see [Figure 7-10](#). They achieve the same functionality as the states RX\_AACK\_ON and BUSY\_RX\_AACK with pin 17 (CLKM) disabled.

The RX\_AACK\_NOCLK state is entered from RX\_AACK\_ON by a rising edge at pin 11 (SLP\_TR). The return to RX\_AACK\_ON state automatically results either from the reception of a valid frame, indicated by interrupt IRQ\_3 (TRX\_END), or a falling edge on pin 11 (SLP\_TR).

A received frame is considered valid if it passes frame filtering and has a correct FCS. If an ACK was requested, the radio transceiver enters BUSY\_RX\_AACK state and follows the procedure described in [Section 7.2.3](#).

After the RX\_AACK transaction has been completed, the radio transceiver remains in RX\_AACK\_ON state. The AT86RF212B re-enters the RX\_AACK\_ON\_NOCLK state only by the next rising edge on pin 11 (SLP\_TR).

The timing and behavior, when CLKM is disabled or enabled, are described in [Section 6.6](#).

Note: 1. RX\_AACK\_NOCLK is not available for slotted operation mode (see [Section 7.2.3.5](#)).

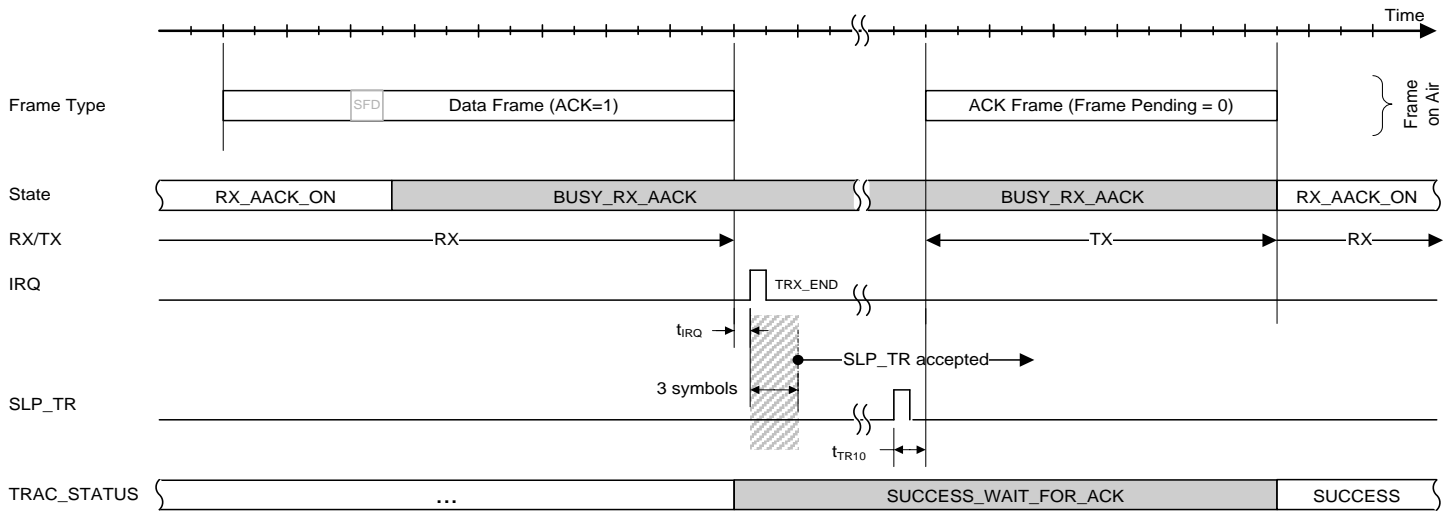
#### 7.2.3.5 RX\_AACK Slotted Operation – Slotted Acknowledgement

In networks using slotted operation the start of the acknowledgment frame, and thus the exact timing, must be provided by the microcontroller. Exact timing requirements for the transmission of acknowledgments in beacon-enabled networks are explained in IEEE 802.15.4-2006, Section 7.5.6.4.2. In conjunction with the microcontroller the Atmel AT86RF212B supports slotted acknowledgement operation. This mode is invoked by setting register bit SLOTTED\_OPERATION (register 0x2C, XAH\_CTRL\_0) to one.

If an acknowledgment (ACK) frame is to be transmitted in RX\_AACK mode, the radio transceiver expects a rising edge on pin 11 (SLP\_TR) to actually start the transmission. During this waiting period, the transceiver reports SUCCESS\_WAIT\_FOR\_ACK through register bits TRAC\_STATUS (register 0x02, XAH\_CTRL\_0), see [Figure 7-11](#). The minimum delay between the occurrence of interrupt IRQ\_3 (TRX\_END) and pin start of the ACK frame in slotted operation is three symbol periods.

[Figure 7-12](#) illustrates the timing of an RX\_AACK transaction in slotted operation. The acknowledgement frame is ready to transmit three symbol times after the reception of the last symbol of a data or MAC command frame indicated by IRQ\_3 (TRX\_END). The transmission of the acknowledgement frame is initiated by the microcontroller with the rising edge of pin 11 (SLP\_TR) and starts  $t_{TR10} = 1$  symbol period later. The interrupt latency  $t_{IRQ}$  is specified in [Section 12.4](#).

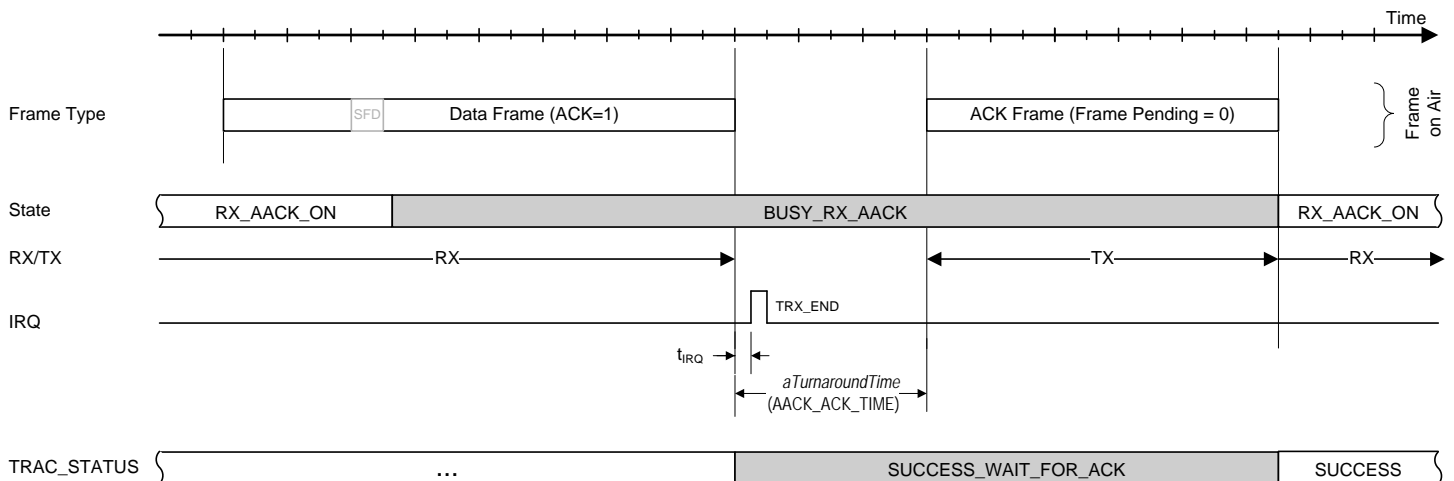
Figure 7-12. Timing Example of an RX\_AACK Transaction for Slotted Operation.



7.2.3.6 RX\_AACK Mode Timing

A timing example of an RX\_AACK transaction is shown in Figure 7-13. In this example, a data frame with an ACK request is received. The Atmel AT86RF212B changes to state BUSY\_RX\_AACK after SFD detection. The completion of the frame reception is indicated by an IRQ\_3 (TRX\_END) interrupt. The interrupts IRQ\_2 (RX\_START) and IRQ\_5 (AMI) are disabled in this example. The ACK frame is automatically transmitted after a TurnaroundTime (12 symbols), assuming default acknowledgment frame start timing. The interrupt latency  $t_{IRQ}$  is specified in Section 12.4.

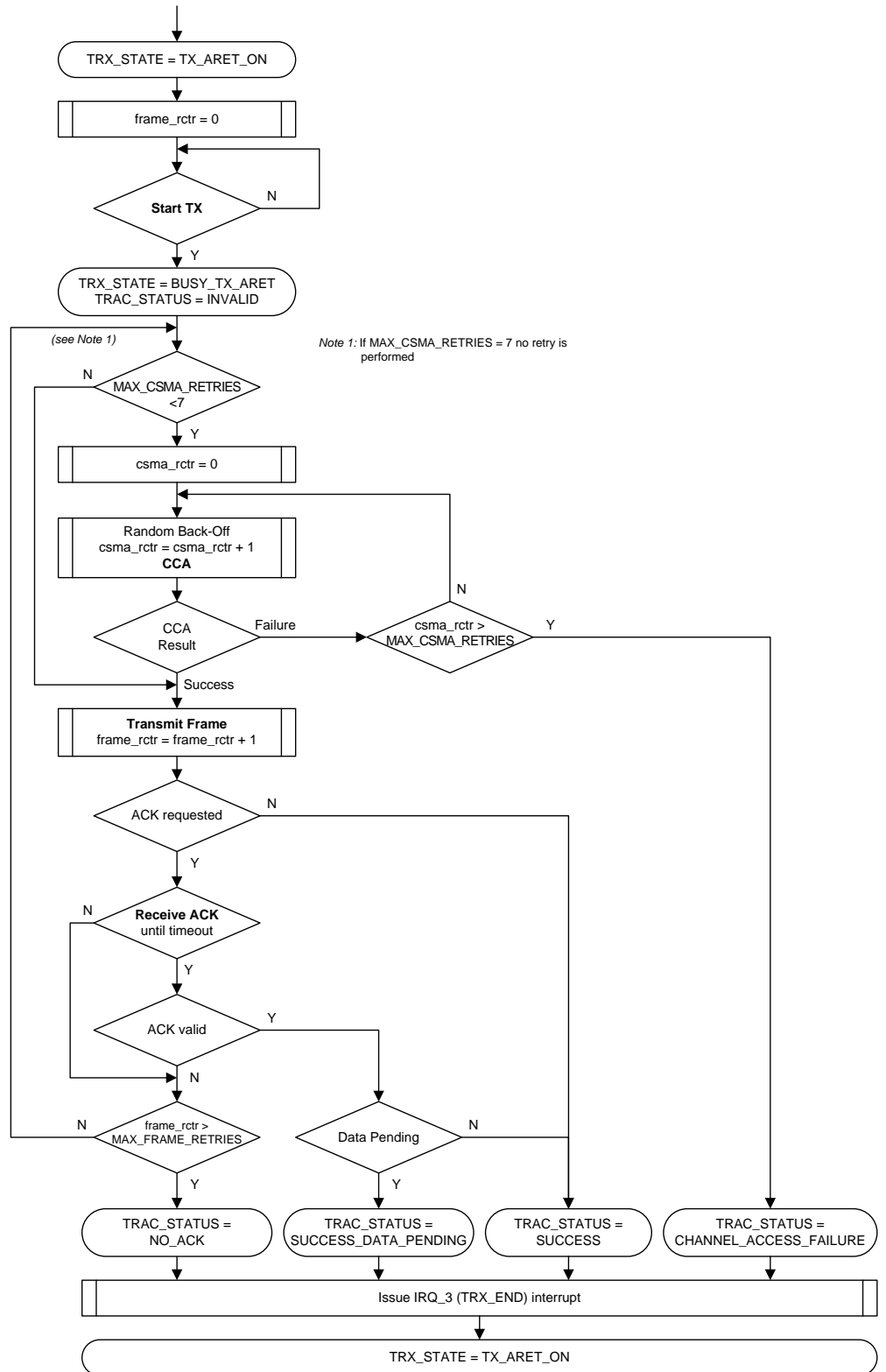
Figure 7-13. Timing Example of an RX\_AACK Transaction.



Note: 1. If register bit AACK\_ACK\_TIME (register 0x17, XAH\_CTRL\_1) is set, an acknowledgment frame is sent already two or three symbol times (refer to Section 7.2.3.3) after the reception of the last symbol of a data or MAC command frame.

7.2.4 TX\_aret\_on – Transmit with Automatic Frame Retransmission and CSMA-CA Retry

Figure 7-14. Flow Diagram of TX\_aret.



## Overview

The implementation of TX\_aret algorithm is shown in [Figure 7-14](#).

The TX\_aret Extended Operating Mode supports the frame transmission process as defined by IEEE 802.15.4-2006. It is invoked as described in [Section 7.2.1](#) by writing TX\_aret\_on to register subfield TRX\_CMD (register 0x02, TRX\_STATE).

If a transmission is initiated in TX\_aret mode, the Atmel AT86RF212B executes the CSMA-CA algorithm as defined by IEEE 802.15.4-2006, Section 7.5.1.4. If the CCA reports IDLE, the frame is transmitted from the Frame Buffer.

If an acknowledgement frame is requested, the radio transceiver checks for an ACK reply automatically. The CSMA-CA based transmission process is repeated until a valid acknowledgement is received or the number of frame retransmissions MAX\_FRAME\_RETRIES (register 0x2C, XAH\_CTRL\_0) is exceeded.

The completion of the TX\_aret transaction is indicated by the IRQ\_3 (TRX\_END) interrupt, see [Section 7.2.5](#).

## Description

Prior to invoking AT86RF212B TX\_aret mode, the basic configuration steps as described in [Section 7.2.2](#) shall be executed. It is further recommended to write the PSDU transmit data to the Frame Buffer in advance.

The transmit start event may either come from a rising edge on pin 11 (SLP\_TR), refer to [Section 6.6](#), or by writing a TX\_START command to register bits TRX\_CMD (register 0x02, TRX\_STATE).

If the CSMA-CA detects a busy channel, it is retried as specified by the register bits MAX\_CSMA\_RETRIES (register 0x2C, XAH\_CTRL\_0). In case that CSMA-CA does not detect a clear channel after MAX\_CSMA\_RETRIES, it aborts the TX\_aret transaction, issues interrupt IRQ\_3 (TRX\_END), and sets the value of the register bits TRAC\_STATUS to CHANNEL\_ACCESS\_FAILURE.

During transmission of a frame the radio transceiver parses bit[5] (ACK Request) of the MAC header (MHR) frame control field of the PSDU data (PSDU octet #1) to be transmitted to check if an ACK reply is expected.

If no ACK is expected, the radio transceiver issues IRQ\_3 (TRX\_END) directly after the frame transmission has been completed. The register bits TRAC\_STATUS (register 0x02, TRX\_STATE) are set to SUCCESS.

If an ACK is expected, after transmission the radio transceiver automatically switches to receive mode waiting for a valid ACK reply (that is matching sequence number and correct FCS). After receiving a valid ACK frame, the "Frame Pending" subfield of this frame is parsed and the status register bits TRAC\_STATUS are updated to SUCCESS or SUCCESS\_DATA\_PENDING accordingly, refer to [Table 7-13](#). At the same time, the entire TX\_aret transaction is terminated and interrupt IRQ\_3 (TRX\_END) is issued.

If no valid ACK is received within the timeout period (refer to [Section 7.2.4.1](#)), the radio transceiver retries the entire transaction (CSMA-CA based frame transmission) until the maximum number of frame retransmissions is exceeded, see register bits MAX\_FRAME\_RETRIES (register 0x2C, XAH\_CTRL\_0). In that case, the TRAC\_STATUS is set to NO\_ACK, the TX\_aret transaction is terminated, and interrupt IRQ\_3 (TRX\_END) is issued.

- Note: 1. The acknowledgment receive procedure does not overwrite the Frame Buffer content. Transmit data in the Frame Buffer is not modified during the entire TX\_ARET transaction. Received frames, other than the expected ACK frame, are discarded automatically.

After that, the microcontroller may read the value of the register bits TRAC\_STATUS (register 0x02, TRX\_STATE) to verify whether the transaction was successful or not. The register bits are set according to the following cases, additional exit codes are described in [Section 7.2.6](#).

[Table 7-13](#) summarizes the Extended Operating Mode result codes in register subfield TRAC\_STATUS (register 0x02, TRX\_STATE) with respect to the TX\_ARET transaction. Values are meaningful after an interrupt until the next frame transmit.

**Table 7-13.** Interpretation of TRAC\_STATUS Register Bits.

Value	Name	Description
0	SUCCESS	The transaction was responded to by a valid ACK, or, if no ACK is requested, after a successful frame transmission.
1	SUCCESS_DATA_PENDING	Equivalent to SUCCESS and indicating that the “Frame Pending” bit (see <a href="#">Section 8.1.2.2</a> ) of the received acknowledgment frame was set.
3	CHANNEL_ACCESS_FAILURE	Channel is still busy after attempting MAX_CSMA_RETRIES of CSMA-CA.
5	NO_ACK	No acknowledgement frame was received during all retry attempts.
7	INVALID	

A value of MAX\_CSMA\_RETRIES = 7 initiates an immediate TX\_ARET transaction without performing CSMA-CA. This can be used for example to transmit indirect data to a device. Further the value MAX\_FRAME\_RETRIES is ignored and the TX\_ARET transaction is performed only once.

#### 7.2.4.1 Acknowledgment Timeout

If an acknowledgment (ACK) frame is expected following the frame transmission, the Atmel AT86RF212B sets a timeout for the ACK frame to arrive. This timeout *macAckWaitDuration* is defined according to [2] as follows:

$$macAckWaitDuration \text{ [symbol periods]} = aUnitBackoffPeriod + aTurnaroundTime + phySHRDuration + 6 \times phySymbolsPerOctet$$

where six represents the number of PHY header octets plus the number of PSDU octets in an acknowledgment frame.

Specifically for the implemented PHY Modes (see [Section 9.1](#)), this formula results in the following values:

- BPSK:  $macAckWaitDuration = 120$  symbol periods
- O-QPSK:  $macAckWaitDuration = 54$  symbol periods

- Note: 1. For any PHY Mode the unit “symbol period” refers to the symbol duration of the appropriate synchronization header; see [Section 9.1.3](#) for further information regarding symbol period.

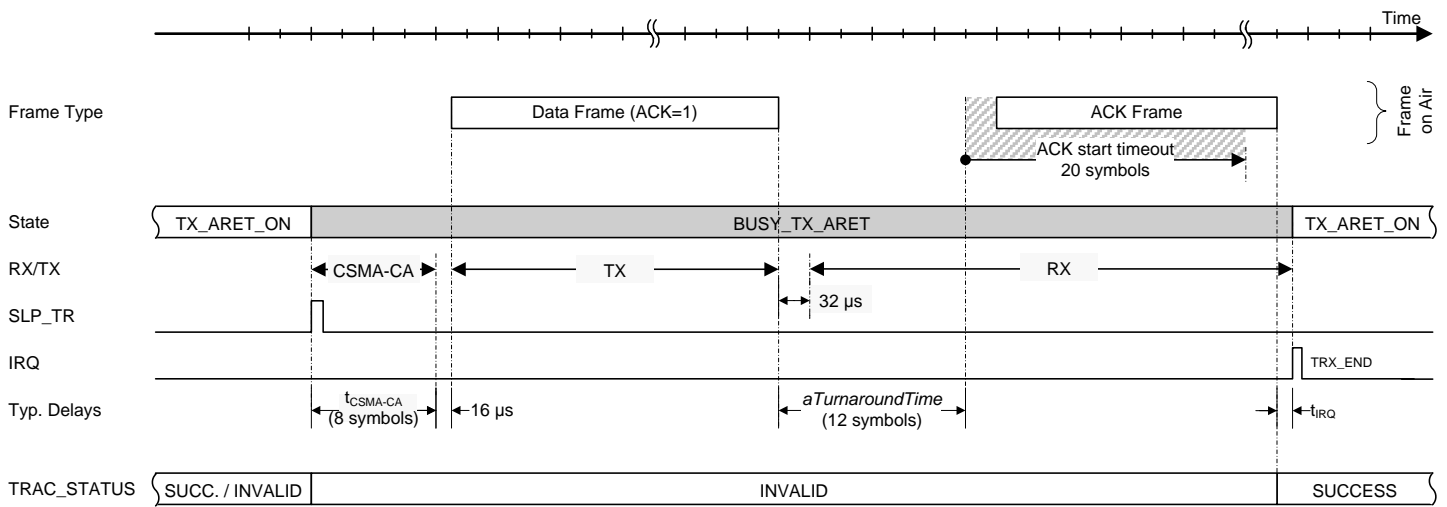
## 7.2.4.2 Timing

A timing example of a TX\_aret transaction is shown in Figure 7-15. In the example shown, a data frame with an acknowledgment request is to be transmitted. The frame transmission is started by sending a pulse on pin 11 (SLP\_TR). By setting register bits MIN\_BE (register 0x2F, CSMA\_BE) to zero, the initial CSMA-CA backoff period is configured to zero length. Thus, the CSMA-CA duration time  $t_{CSMA-CA}$  consists only of eight symbols of CCA measurement period. If CCA returns IDLE (assumed here), the frame is transmitted.

Upon frame transmission Atmel AT86RF212B switches to the receive mode and expects an acknowledgement response. This is indicated by register subfield TRAC\_STATUS (register 0x02, TRX\_STATE) set to SUCCESS\_WAIT\_FOR\_ACK. After a period of *aTurnaroundTime* + *aUnitBackoff*, the transmission of the ACK frame must be started. During the entire transaction, including frame transmit, wait for ACK, and ACK receive, the radio transceiver status register bits TRX\_STATUS (register 0x01, TRX\_STATUS) are set to BUSY\_TX\_aret state.

A successful reception of the acknowledgment frame is indicated by triggering of IRQ\_3 (TRX\_END). The status register bits TRX\_STATUS (register 0x01, TRX\_STATUS) changes back to TX\_aret\_ON state. When the frame pending subfield of the received ACK frame is set to one (more data is to follow) register bits TRAC\_STATUS (register 0x02, TRX\_STATE) are set either to SUCCESS\_DATA\_PENDING status instead of SUCCESS status.

**Figure 7-15.** Timing Example of a TX\_aret Transaction (without Pending Data Bit set in ACK Frame).



Register settings:

0x2C: MAX\_FRAME\_RETRIES = 0

0x2C: MAX\_CSMA\_RETRIES = 0

0x2E: MIN\_BE = 0

## 7.2.5 Interrupt Handling

The Atmel AT86RF212B interrupt handling in the Extended Operating Mode is similar to the Basic Operating Mode, refer to [Section 7.1.3](#). Interrupts can be enabled by setting the appropriate bit in register 0x0E (IRQ\_MASK).

For RX\_AACK and TX\_ARET modes the following interrupts inform about the status of a frame reception and transmission:

**Table 7-14.** Interrupt Handling in Extended Operating Mode.

Mode	Interrupt	Description
RX_AACK	IRQ_2 (RX_START)	Indicates a PHR reception
	IRQ_5 (AMI)	Issued at address match
	IRQ_3 (TRX_END)	Signals completion of RX_AACK transaction if successful <ul style="list-style-type: none"> <li>- A received frame must pass the address filter</li> <li>- The FCS is valid</li> </ul>
TX_ARET	IRQ_3 (TRX_END)	Signals completion of TX_ARET transaction
RX_AACK/ TX_ARET	IRQ_0 (PLL_LOCK)	Entering RX_AACK_ON or TX_ARET_ON state from TRX_OFF state, the PLL_LOCK interrupt signals that the transaction can be started

### RX\_AACK

For support of the RX\_AACK functionality, it is recommended to enable IRQ\_3 (TRX\_END). This interrupt is issued only if frames pass the frame filtering, refer to [Section 8.2](#), and have a valid FCS to reflect data validity. This functionality differs in Basic Operating Mode, refer to [Section 7.1.3](#). The usage of other interrupts is optional.

On reception of a valid PHR an IRQ\_2 (RX\_START) is issued. IRQ\_5 (AMI) indicates address match, refer to filter rules in [Section 8.2](#), and the completion of a frame reception with a valid FCS is indicated by interrupt IRQ\_3 (TRX\_END).

Thus, it can happen that an IRQ\_2 (RX\_START) and/or IRQ\_5 (AMI) are issued, but the IRQ\_3 (TRX\_END) interrupt is never triggered when a frame does not pass the FCS computation check.

### TX\_ARET

The IRQ\_3 (TRX\_END) interrupt is always generated after completing a TX\_ARET transaction. Subsequently the transaction status can be read from register bits TRAC\_STATUS (register 0x02, TRX\_STATE).

Several interrupts are automatically suppressed by the radio transceiver during TX\_ARET transaction. In contrast to [Section 8.6](#), the CCA algorithm (part of CSMA-CA) does not generate interrupt IRQ\_4 (CCA\_ED\_DONE). Furthermore, the interrupts IRQ\_2 (RX\_START) and/or IRQ\_5 (AMI) are not generated during the TX\_ARET acknowledgment receive process.

All other interrupts as described in [Section 6.7](#), are also available in Extended Operating Mode.

## 7.2.6 Register Summary

The following Atmel AT86RF212B registers are to be configured to control the Extended Operating Mode:

**Table 7-15.** Register Summary.

Reg.-Addr.	Register Name	Description
0x01	TRX_STATUS	Radio transceiver status, CCA result
0x02	TRX_STATE	Radio transceiver state control, TX_ARET status
0x04	TRX_CTRL_1	TX_AUTO_CRC_ON
0x08	PHY_CC_CCA	CCA mode control, see <a href="#">Section 8.6.6</a>
0x09	CCA_THRES	CCA ED threshold settings, see <a href="#">Section 8.6.6</a>
0x17	XAH_CTRL_1	TX_ARET and RX_AACK control
0x20 – 0x2B		Frame Filter configuration - Short address, PAN ID, and IEEE address - See <a href="#">Section 8.2.3</a> and <a href="#">Section 8.2.4</a>
0x2C	XAH_CTRL_0	TX_ARET control, retries value control
0x2D	CSMA_SEED_0	CSMA-CA seed value
0x2E	CSMA_SEED_1	CSMA-CA seed value, RX_AACK control
0x2F	CSMA_BE	CSMA-CA backoff exponent control

## 7.2.7 Register Description

### Register 0x01 (TRX\_STATUS):

The read-only register TRX\_STATUS signals the present state of the radio transceiver as well as the status of a CCA operation.

**Figure 7-16.** Register TRX\_STATUS.

Bit	7	6	5	4	
0x01	CCA_DONE	CCA_STATUS	reserved	TRX_STATUS	TRX_STATUS
Read/Write	R	R	R	R	
Reset value	0	0	0	0	
Bit	3	2	1	0	
0x01	TRX_STATUS				TRX_STATUS
Read/Write	R	R	R	R	
Reset value	0	0	0	0	

- **Bit 4:0 - TRX\_STATUS**

The register bits TRX\_STATUS signal the current radio transceiver status.

**Table 7-16.** TRX\_STATUS.

Register Bits	Value	Description
TRX_STATUS	0x00	P_ON
	0x01	BUSY_RX
	0x02	BUSY_TX
	0x06	RX_ON
	0x08	TRX_OFF (CLK Mode)

Register Bits	Value	Description
	0x09	PLL_ON (TX_ON)
	0x0F <sup>(1)</sup>	SLEEP
	0x11 <sup>(2)</sup>	BUSY_RX_AACK
	0x12 <sup>(2)</sup>	BUSY_TX_ARET
	0x16 <sup>(2)</sup>	RX_AACK_ON
	0x19 <sup>(2)</sup>	TX_ARET_ON
	0x1C	RX_ON_NOCLK
	0x1D <sup>(2)</sup>	RX_AACK_ON_NOCLK
	0x1E <sup>(2)</sup>	BUSY_RX_AACK_NOCLK
	0x1F <sup>(3)</sup>	STATE_TRANSITION_IN_PROGRESS
		All other values are reserved

- Notes:
1. In SLEEP state register not accessible.
  2. Extended Operating Mode only.
  3. Do not try to initiate a further state change while the radio transceiver is in STATE\_TRANSITION\_IN\_PROGRESS state.

A read access to TRX\_STATUS register signals the current radio transceiver state status. A state change is initiated by writing a state transition command to register bits TRX\_CMD (register 0x02, TRX\_STATE). Alternatively, some state transitions can be initiated by the rising edge of pin 11 (SLP\_TR) in the appropriate state.

#### Register 0x02 (TRX\_STATE):

The radio transceiver states are advanced via register TRX\_STATE by writing a command word into register bits TRX\_CMD. The read-only register bits TRAC\_STATUS indicate the status or result of an Extended Operating Mode transaction.

**Figure 7-17.** Register TRX\_STATE.

Bit	7	6	5	4	
0x02	TRAC_STATUS			TRX_CMD	TRX_STATE
Read/Write	R	R	R	R/W	
Reset value	0	0	0	0	
Bit	3	2	1	0	
0x02	TRX_CMD				TRX_STATE
Read/Write	R/W	R/W	R/W	R/W	
Reset value	0	0	0	0	

• **Bit 7:5 – TRAC\_STATUS**

**Table 7-17. TRAC\_STATUS.**

Register Bits	Value	Description	RX_AACK	TX_ARET
TRAC_STATUS	0 <sup>(1)</sup>	SUCCESS	X	X
	1	SUCCESS_DATA_PENDING		X
	2	SUCCESS_WAIT_FOR_ACK	X	
	3	CHANNEL_ACCESS_FAILURE		X
	5	NO_ACK		X
	7 <sup>(1)</sup>	INVALID	X	X
		All other values are reserved		

Note: 1. Even though the reset value for register bits TRAC\_STATUS is zero, the RX\_AACK and TX\_ARET procedures set the register bits to TRAC\_STATUS = 7 (INVALID) when they are started.

The status of the RX\_AACK and TX\_ARET procedures is indicated by register bits TRAC\_STATUS. Values are meaningful after an interrupt until the next frame transmit. Details of the algorithms and a description of the status information are given in [Section 7.2.3](#) and [Section 7.2.4](#).

**RX\_AACK**

**SUCCESS\_WAIT\_FOR\_ACK:** Indicates an ACK frame is about to be sent in RX\_AACK slotted acknowledgement. Slotted acknowledgement operation must be enabled with register bit SLOTTED\_OPERATION (register 0x2C, XAH\_XTRL\_0). The microcontroller must pulse pin 11 (SLP\_TR) at the next backoff slot boundary in order to initiate a transmission of the ACK frame. For details refer to IEEE 802.15.4-2006, Section 7.5.6.4.2.

**TX\_ARET**

**SUCCESS\_DATA\_PENDING:** Indicates a successful reception of an ACK frame with frame pending bit set to one.

• **Bit 4:0 - TRX\_CMD**

A write access to register bits TRX\_CMD initiate a radio transceiver state transition to the new state.

**Table 7-18. TRX\_CMD.**

Register Bits	Value	Description
TRX_CMD	0x00 <sup>(1)</sup>	NOP
	0x02 <sup>(2)</sup>	TX_START
	0x03	FORCE_TRX_OFF
	0x04 <sup>(3)</sup>	FORCE_PLL_ON
	0x06	RX_ON
	0x08	TRX_OFF (CLK Mode)

Register Bits	Value	Description
	0x09	PLL_ON (TX_ON)
	0x16 <sup>(4)</sup>	RX_AACK_ON
	0x19 <sup>(4)</sup>	TX_ARET_ON
		All other values are reserved

- Notes:
1. TRX\_CMD = "0" after power on reset (POR).
  2. The frame transmission starts one symbol after TX\_START command.
  3. FORCE\_PLL\_ON command is not valid in states P\_ON, SLEEP, RESET, and all \*\_NOCLK states, as well as STATE\_TRANSITION\_IN\_PROGRES towards these states.
  4. Extended Operating Mode only.

A successful state transition shall be confirmed by reading register bits TRX\_STATUS (register 0x01, TRX\_STATUS).

The register bits TRX\_CMD are used for Basic and Extended Operating Modes, refer to [Section 7.1](#).

#### Register 0x04 (TRX\_CTRL\_1):

The TRX\_CTRL\_1 register is a multi-purpose register to control various operating modes and settings of the radio transceiver.

**Figure 7-18.** Register TRX\_CTRL\_1.

Bit	7	6	5	4	
0x04	PA_EXT_EN	IRQ_2_EXT_EN	TX_AUTO_CRC_ON	RX_BL_CTRL	TRX_CTRL_1
Read/Write	R/W	R/W	R/W	R/W	
Reset value	0	0	1	0	
Bit	3	2	1	0	
0x04	SPI_CMD_MODE		IRQ_MASK_MODE	IRQ_POLARITY	TRX_CTRL_1
Read/Write	R/W	R/W	R/W	R/W	
Reset value	0	0	0	0	

#### • Bit 5 - TX\_AUTO\_CRC\_ON

The register bit TX\_AUTO\_CRC\_ON controls the automatic FCS generation for transmit operations.

**Table 7-19.** TX\_AUTO\_CRC\_ON.

Register Bits	Value	Description
TX_AUTO_CRC_ON	0	Automatic FCS generation is disabled
	1	Automatic FCS generation is enabled

Note: 1. The TX\_AUTO\_CRC\_ON function can be used within Basic and Extended Operating Modes.

For further details refer to [Section 8.3](#).

## Register 0x17 (XAH\_CTRL\_1):

The XAH\_CTRL\_1 register is a multi-purpose control register for Extended Operating Mode.

**Figure 7-19.** Register XAH\_CTRL\_1.

Bit	7	6	5	4	
0x17	reserved	CSMA_LBT_MODE	AACK_FLTR_RES_FT	AACK_UPLD_RES_FT	XAH_CTRL_1
Read/Write	R/W	R/W	R/W	R/W	
Reset value	0	0	0	0	
Bit	3	2	1	0	
0x17	reserved	AACK_ACK_TIME	AACK_PROM_MODE	reserved	XAH_CTRL_1
Read/Write	R	R/W	R/W	R	
Reset value	0	0	0	0	

### • Bit 5 - AACK\_FLTR\_RES\_FT

Filter reserved frame types like data frame type. The register bit AACK\_FLTR\_RES\_FT shall only be set if register bit AACK\_UPLD\_RES\_FT = 1.

**Table 7-20.** AACK\_FLTR\_RES\_FT.

Register Bits	Value	Description
AACK_FLTR_RES_FT	0 <sup>(1)</sup>	Filtering reserved frame types is disabled
	1 <sup>(2)</sup>	Filtering reserved frame types is enabled

Notes: 1. If AACK\_FLTR\_RES\_FT = 0 the received reserved frame is only checked for a valid FCS.

2. If AACK\_FLTR\_RES\_FT = 1 reserved frame types are filtered similar to data frames as specified in IEEE 802.15.4–2006.

Reserved frame types are explained in IEEE 802.15.4 Section 7.2.1.1.1.

### • Bit 4 - AACK\_UPLD\_RES\_FT

Upload reserved frame types within RX\_AACK mode.

**Table 7-21.** AACK\_UPLD\_RES\_FT.

Register Bits	Value	Description
AACK_UPLD_RES_FT	0	Upload of reserved frame types is disabled
	1 <sup>(1)</sup>	Upload of reserved frame types is enabled

Note: 1. If AACK\_UPLD\_RES\_FT = 1 received frames indicated as a reserved frame are further processed. For those frames, an IRQ\_3 (TRX\_END) interrupt is generated if the FCS is valid.

In conjunction with the configuration bit AACK\_FLTR\_RES\_FT, these frames are handled like IEEE 802.15.4 compliant data frames during RX\_AACK transaction. An IRQ\_5 (AMI) interrupt is issued, if the addresses in the received frame match the node's addresses.

That means, if a reserved frame passes the third level filter rules, an acknowledgement frame is generated and transmitted if it was requested by the received frame. If this is not wanted register bit AACK\_DIS\_ACK (register 0x2E, CSMA\_SEED\_1) has to be set.

- **Bit 2 - AACK\_ACK\_TIME**

The register bit AACK\_ACK\_TIME controls the acknowledgment frame response time within RX\_AACK mode.

**Table 7-22. AACK\_ACK\_TIME.**

Register Bits	Value	Description
AACK_ACK_TIME	0	Acknowledgment time is 12 symbol periods (aTurnaroundTime)
	1	Two symbol periods: BPSK-20, OQPSK-{100,200,400}; Three symbol periods: BPSK-40, OQPSK-{250,500,1000}

According to IEEE 802.15.4-2006, Section 7.5.6.4.2 the transmission of an acknowledgment frame shall commence 12 symbol periods (aTurnaroundTime) after the reception of the last symbol of a data or MAC command frame. This is achieved with the reset value of the register bit AACK\_ACK\_TIME.

Alternatively, if AACK\_ACK\_TIME = 1, the acknowledgment response time is reduced according to [Table 7-23](#).

**Table 7-23. Short ACK Response Time (AACK\_ACK\_TIME = 1).**

PHY Mode	ACK response time [symbol periods]
BPSK-20, OQPSK-{100,200,400}	2
BPSK-40, OQPSK-{250,500,1000}	3

The reduced ACK response time is particularly useful for the High Data Rate Modes, refer to [Section 9.1.4](#).

- **Bit 1 - AACK\_PROM\_MODE**

The register bit AACK\_PROM\_MODE enables the promiscuous mode, within the RX\_AACK mode.

**Table 7-24. AACK\_PROM\_MODE.**

Register Bits	Value	Description
AACK_PROM_MODE	0	Promiscuous mode is disabled
	1	Promiscuous mode is enabled

Refer to IEEE 802.15.4-2006 Section 7.5.6.5.

If this register bit is set, every incoming frame with a valid PHR finishes with IRQ\_3 (TRX\_END) interrupt even if the third level filter rules do not match or the FCS is not valid. However, register bit RX\_CRC\_VALID (register 0x06, PHY\_RSSI) is set accordingly.

In contrast to IEEE 802.15.4-2006, if a frame passes the third level filter rules, an acknowledgement frame is generated and transmitted unless disabled by register bit AACK\_DIS\_ACK (register 0x2E, CSMA\_SEED\_1), or use Basic Operating Mode instead.

## Register 0x2C (XAH\_CTRL\_0):

The XAH\_CTRL\_0 register is a control register for Extended Operating Mode.

**Figure 7-20.** Register XAH\_CTRL\_0.

Bit	7	6	5	4	
0x2C	MAX_FRAME_RETRIES				XAH_CTRL_0
Read/Write	R/W	R/W	R/W	R/W	
Reset value	0	0	1	1	
Bit	3	2	1	0	
0x2C	MAX_CSMA_RETRIES			SLOTTED_OPERATION	XAH_CTRL_0
Read/Write	R/W	R/W	R/W	R/W	
Reset value	1	0	0	0	

- **Bit 7:4 - MAX\_FRAME\_RETRIES**

Number of retransmission attempts in TX\_aret mode before the transaction gets cancelled.

**Table 7-25.** MAX\_FRAME\_RETRIES.

Register Bits	Value	Description
MAX_FRAME_RETRIES	0x3	The setting of MAX_FRAME_RETRIES in TX_aret mode specifies the number of attempts to retransmit a frame, when it was not acknowledged by the recipient, before the transaction gets cancelled. Valid values are [0x7, 0x6, ..., 0x0].

- **Bit 3:1 - MAX\_CSMA\_RETRIES**

Number of retries in TX\_aret mode to repeat the CSMA-CA procedure before the transaction gets cancelled.

**Table 7-26.** MAX\_CSMA\_RETRIES.

Register Bits	Value	Description
MAX_CSMA_RETRIES	0 <sup>(1)</sup>	No retries
	1 <sup>(1)</sup>	One retry
	2 <sup>(1)</sup>	Two retries
	3 <sup>(1)</sup>	Three retries
	4 <sup>(1)</sup>	Four retries
	5 <sup>(1)</sup>	Five retries
	7 <sup>(3)</sup>	Immediate frame transmission without performing CSMA-CA

Notes: 1. MAX\_CSMA\_RETRIES specifies the number of retries in TX\_aret mode to repeat the CSMA-CA procedure before the transaction gets cancelled. According to IEEE 802.15.4 the valid range of MAX\_CSMA\_RETRIES is [5, 4, ..., 0].

2. MAX\_CSMA\_RETRIES = 6 is reserved.

3. A value of MAX\_CSMA\_RETRIES = 7 initiates an immediate frame transmission without performing CSMA-CA. No retry is performed. This may especially be required for slotted acknowledgement operation.

- **Bit 0 - SLOTTED\_OPERATION**

For RX\_AACK mode, the register bit SLOTTED\_OPERATION determines, if the transceiver will require a time base for slotted operation.

**Table 7-27. SLOTTED\_OPERATION.**

Register Bits	Value	Description
SLOTTED_OPERATION	0	The radio transceiver operates in unslotted mode. An acknowledgment frame is automatically sent if requested.
	1	The transmission of an acknowledgement frame has to be controlled by the microcontroller.

Using RX\_AACK mode in networks operating in beacon or slotted mode, refer to IEEE 802.15.4-2006, Section 5.5.1, register bit SLOTTED\_OPERATION indicates that acknowledgement frames are to be sent on backoff slot boundaries (slotted acknowledgement), refer to [Section 7.2.3.5](#).

If this register bit is set the acknowledgement frame transmission has to be initiated by the microcontroller using the rising edge of pin 11 (SLP\_TR). This waiting state is signaled in register bits TRAC\_STATUS (register 0x02, TRX\_STATE) with value SUCCESS\_WAIT\_FOR\_ACK.

## Register 0x2D (CSMA\_SEED\_0):

The register CSMA\_SEED\_0 contains the lower 8-bit of CSMA\_SEED.

**Figure 7-21.** Register CSMA\_SEED\_0.

Bit	7	6	5	4	
0x2D	CSMA_SEED_0				CSMA_SEED_0
Read/Write	R/W	R/W	R/W	R/W	
Reset value	1	1	1	0	
Bit	3	2	1	0	
0x2D	CSMA_SEED_0				CSMA_SEED_0
Read/Write	R/W	R/W	R/W	R/W	
Reset value	1	0	1	0	

- **Bit 7:0 - CSMA\_SEED\_0**

Lower 8-bit of CSMA\_SEED, bits[7:0]. Used as seed for random number generation in the CSMA-CA algorithm.

**Table 7-28.** CSMA\_SEED\_0.

Register Bits	Value	Description
CSMA_SEED_0	0xEA	This register contains the lower 8-bit of the CSMA_SEED, bits[7:0]. The higher 3-bit are part of register bits CSMA_SEED_1 (register 0x2E, CSMA_SEED_1). CSMA_SEED is the seed for the random number generation that determines the length of the backoff period in the CSMA-CA algorithm.

- Notes:
1. It is recommended to initialize register bits CSMA\_SEED\_0 and CSMA\_SEED\_1 with random values. This can be done using register bits RND\_VALUE (register 0x06, PHY\_RSSI), refer to [Section 11.2](#).
  2. The content of register bits CSMA\_SEED\_0 and CSMA\_SEED\_1 initializes the TX\_ARET random backoff generator after wakeup from SLEEP state. It is recommended to reinitialize both registers before every SLEEP state with a random value.

### Register 0x2E (CSMA\_SEED\_1):

The CSMA\_SEED\_1 register is a control register for RX\_AACK and contains a part of the CSMA\_SEED for the CSMA-CA algorithm.

**Figure 7-22.** Register CSMA\_SEED\_1.

Bit	7	6	5	4	
0x2E	AACK_FVN_MODE		AACK_SET_PD	AACK_DIS_ACK	CSMA_SEED_1
Read/Write	R/W	R/W	R/W	R/W	
Reset value	0	1	0	0	
Bit	3	2	1	0	
0x2E	AACK_I_AM_COORD	CSMA_SEED_1			CSMA_SEED_1
Read/Write	R/W	R/W	R/W	R/W	
Reset value	0	0	1	0	

- **Bit 7:6 - AACK\_FVN\_MODE**

The register bits AACK\_FVN\_MODE control the ACK behavior dependent on FCF frame version number within RX\_AACK mode.

**Table 7-29.** AACK\_FVN\_MODE.

Register Bits	Value	Description
AACK_FVN_MODE	0	Accept frames with version number 0
	1	Accept frames with version number 0 or 1
	2	Accept frames with version number 0 or 1 or 2
	3	Accept frames independent of frame version number

Note: 1. AACK\_FVN\_MODE value one indicates frames according to IEEE 802.15.4–2006, a value of three indicates frames according to IEEE 802.15.4–2003 standard.

The frame control field of the MAC header (MHR) contains a frame version subfield. The setting of register bits AACK\_FVN\_MODE specifies the frame filtering behavior of the Atmel AT86RF212B. According to the content of these register bits the radio transceiver passes frames with a specific frame version number, number group, or independent of the frame version number.

Thus the register bits AACK\_FVN\_MODE defines the maximum acceptable frame version. Received frames with a higher frame version number than configured do not pass the frame filter and are not acknowledged.

The frame version field of the acknowledgment frame is set to zero according to IEEE 802.15.4-2006, Section 7.2.2.3.1 Acknowledgment frame MHR fields.

- **Bit 5 - AACK\_SET\_PD**

The content of AACK\_SET\_PD bit is copied into the frame pending subfield of the acknowledgment frame if the ACK is the response to a data request MAC command frame.

**Table 7-30.** AACK\_SET\_PD.

Register Bits	Value	Description
AACK_SET_PD	0	Pending data bit set to zero
	1	Pending data bit set to one

In addition, if register bits AACK\_FVN\_MODE (register 0x2E, CSMA\_SEED\_1) are configured to accept frames with a frame version other than zero or one, the content of register bit AACK\_SET\_PD is also copied into the frame pending subfield of the acknowledgment frame for any MAC command frame with a frame version of two or three that have the security enabled subfield set to one. This is done with the assumption that a future version of the IEEE 802.15.4-2006 [2] standard might change the length or structure of the auxiliary security header.

- **Bit 4 - AACK\_DIS\_ACK**

If this bit is set no acknowledgment frames are transmitted in RX\_AACK Extended Operating Mode, even if requested.

**Table 7-31. AACK\_DIS\_ACK.**

Register Bits	Value	Description
AACK_DIS_ACK	0	Acknowledgment frames are transmitted
	1	Acknowledgment frames are not transmitted

- **Bit 3 - AACK\_I\_AM\_COORD**

This register bit has to be set if the node is a PAN coordinator. It is used for frame filtering in RX\_AACK.

**Table 7-32. AACK\_I\_AM\_COORD.**

Register Bits	Value	Description
AACK_I_AM_COORD	0	PAN coordinator addressing is disabled
	1	PAN coordinator addressing is enabled

If AACK\_I\_AM\_COORD = 1 and if only source addressing fields are included in a data or MAC command frame, the frame shall be accepted only if the device is the PAN coordinator and the source PAN identifier matches *macPANId*, for details refer to IEEE 802.15.4-2006, Section 7.5.6.2 (third-level filter rule six).

- **Bit 2:0 - CSMA\_SEED\_1**

Higher 3-bit of CSMA\_SEED, bits[10:8]. Seed for random number generation in the CSMA-CA algorithm.

**Table 7-33. CSMA\_SEED\_1.**

Register Bits	Value	Description
CSMA_SEED_1	2	These register bits are the higher 3-bit of the CSMA_SEED, bits [10:8]. The lower part is in register 0x2D (CSMA_SEED_0), see register CSMA_SEED_0 for details.

### Register 0x2F (CSMA\_BE):

The register CSMA\_BE contains the backoff exponents for the CSMA-CA algorithm.

**Figure 7-23.** Register CSMA\_BE.

Bit	7	6	5	4	
0x2F	MAX_BE				CSMA_BE
Read/Write	R/W	R/W	R/W	R/W	
Reset value	0	1	0	1	
Bit	3	2	1	0	
0x2F	MIN_BE				CSMA_BE
Read/Write	R/W	R/W	R/W	R/W	
Reset value	0	0	1	1	

Note: 1. If MIN\_BE = 0 and MAX\_BE = 0 the CCA backoff period is always set to zero.

- **Bit 7:4 - MAX\_BE**

Maximum backoff exponent in the CSMA-CA algorithm.

**Table 7-34.** MAX\_BE.

Register Bits	Value	Description
MAX_BE	<u>0x5</u>	Register bits MAX_BE defines the maximum backoff exponent used in the CSMA-CA algorithm to generate a pseudo random number for CCA backoff. Valid values are [0x8, 0x7, ..., 0x0].

For details refer to IEEE 802.15.4-2006, Section 7.5.1.4.

- **Bit 3:0 - MIN\_BE**

Minimum backoff exponent in the CSMA-CA algorithm.

**Table 7-35.** MIN\_BE.

Register Bits	Value	Description
MIN_BE	<u>0x3</u>	Register bits MIN_BE defines the minimum backoff exponent used in the CSMA-CA algorithm to generate a pseudo random number for CCA backoff. Valid values are [MAX_BE, (MAX_BE – 1), ..., 0x0].

For details refer to IEEE 802.15.4-2006, Section 7.5.1.4.

## 8 Functional Description

### 8.1 Introduction – IEEE 802.15.4-2006 Frame Format

Figure 8-1 provides an overview of the physical layer (PHY) frame structure as defined by the IEEE 802.15.4-2006 standard. Figure 8-2 shows the medium access control layer (MAC) frame structure.

Figure 8-1. IEEE 802.15.4 Frame Format - PHY-Layer Frame Structure (PPDU).

PHY Protocol Data Unit (PPDU)			
Preamble Sequence	SFD	Frame Length	PHY Payload
5 octets Synchronization Header (SHR)		1 octet (PHR)	Maximum 127 octets PHY Service Data Unit (PSDU)
			MAC Protocol Data Unit (MPDU)

#### 8.1.1 PHY Protocol Data Unit (PPDU)

##### 8.1.1.1 Synchronization Header (SHR)

The SHR consists of a four-octet preamble field (all zero), followed by a single byte start-of-frame delimiter (SFD) which has the predefined value 0xA7. During transmission, the SHR is automatically generated by the Atmel AT86RF212B, thus the Frame Buffer shall contain PHR and PSDU only, see Section 6.3.2.

The transmission of the SHR requires 40 symbols for a transmission with BPSK modulation and 10 symbols for a transmission with O-QPSK modulation. Table 8-2 illustrates the SHR duration depending on the selected data rate, see also Section 12.5.

The fact that the SPI data rate is normally higher than over-the-air data rate, allows the microcontroller to first initiate a frame transmission and then as the SHR is transmitted write the frame data. This is to minimize frame buffer data fill overhead transmission delay.

During a frame reception, the SHR is used for synchronization purposes. The matching SFD determines the beginning of the PHR and the following PSDU payload data.

##### 8.1.1.2 PHY Header (PHR)

The PHY header is a single octet following the SHR. The least significant seven bits denote the frame length of the following PSDU, while the most significant bit of that octet is reserved, and shall be set to zero for IEEE 802.15.4 compliant frames.

On reception, the PHR is returned as the first octet during Frame Buffer read access. While the IEEE 802.15.4-2006 standard declares bit seven of the PHR octet as being reserved, the AT86RF212B preserves this bit upon transmission and reception so it can be used to carry additional information within proprietary networks. Nevertheless, this bit is not considered to be a part of the frame length, so only frames between one and 127 octets are possible. For IEEE 802.15.4 compliant operation bit[7] has to be masked by software.

In transmit mode, the PHR needs to be supplied as the first octet during Frame Buffer write access, see Section 6.3.2.

In receive mode, the PHR (that is frame length greater than zero) is returned as the first octet during Frame Buffer read access (see [Section 6.3.2](#)) and is signaled by an interrupt IRQ\_2 (RX\_START).

### 8.1.1.3 PHY Payload (PHY Service Data Unit, PSDU)

The PSDU has a variable length between zero and *aMaxPHYPacketSize* (127, maximum PSDU size in octets). The length of the PSDU is signaled by the frame length field (PHR), refer to [Table 8-1](#). The PSDU contains the MAC protocol data unit (MPDU), where the last two octets are used for the Frame Check Sequence (FCS), see [Section 8.3](#).

Received frames with a frame length field set to zero (invalid PHR) are not signaled to the microcontroller.

[Table 8-1](#) summarizes the type of payload versus the frame length value.

**Table 8-1.** Frame Length Field – PHR.

Frame Length Value	Payload
0 - 4	Reserved
5	MPDU (Acknowledgement)
6 – 8	Reserved
9 - <i>aMaxPHYPacketSize</i>	MPDU

### 8.1.1.4 Timing Summary

[Table 8-2](#) shows timing information for the above mentioned frame structure depending on the selected data rate.

**Table 8-2.** PPDU Timing.

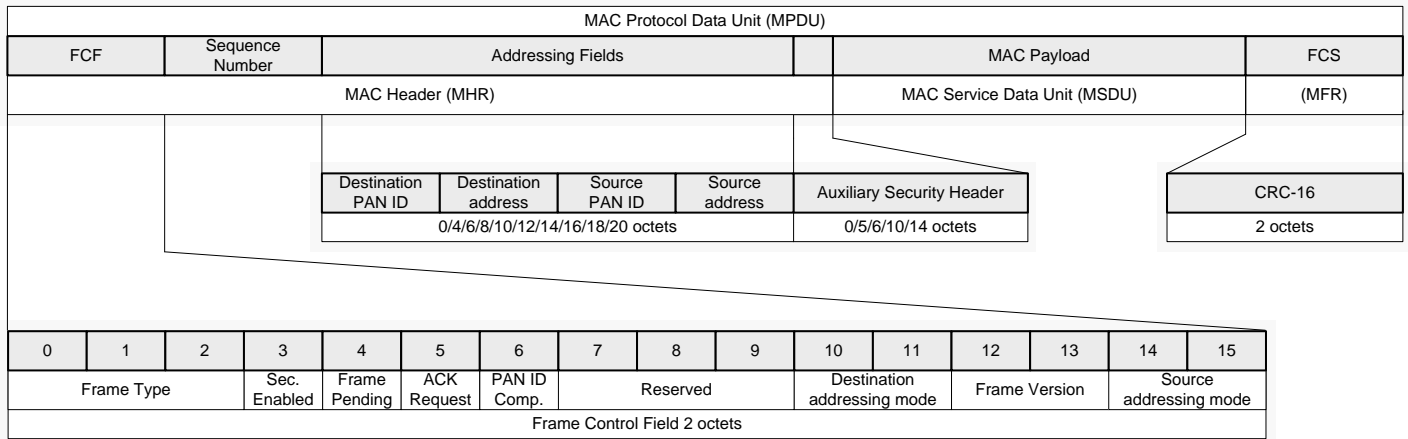
PHY Mode	PSDU Bit Rate [kb/s]	Header Bit Rate [kb/s]	Duration		
			SHR [μs]	PHR [μs]	Max. PSDU [ms]
BPSK <sup>(1)</sup>	20	20	2000	400	50.8
	40	40	1000	200	25.4
O-QPSK <sup>(1)</sup>	100	100	300	80	10.16
	250	250	160	32	4.064
O-QPSK <sup>(2)</sup>	200	100	300	80	5.08
	400	100	300	80	2.54
	500	250	160	32	2.032
	1000	250	160	32	1.016

- Notes: 1. Compliant to IEEE 802.15.4-2006 [2].  
2. High Data Rate Modes, see [Section 9.1.4](#).

8.1.2 MAC Protocol Data Unit (MPDU)

Figure 8-2 shows the frame structure of the MAC layer.

Figure 8-2. IEEE 802.15.4-2006 Frame Format – MAC Layer Frame Structure (MPDU).



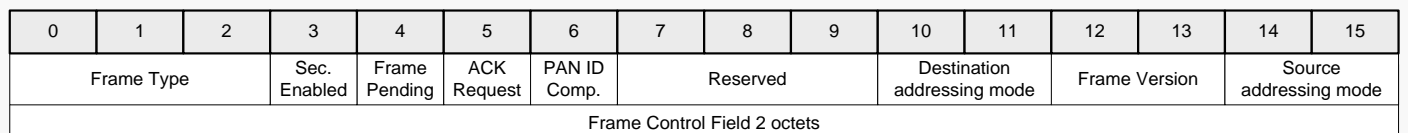
8.1.2.1 MAC Header (MHR) Fields

The MAC header consists of the Frame Control Field (FCF), a sequence number, and the addressing fields (which are of variable length, and can even be empty in certain situations).

8.1.2.2 Frame Control Field (FCF)

The FCF consists of 16 bits, and occupies the first two octets of the MPDU or PSDU, respectively.

Figure 8-3. IEEE 802.15.4-2006 Frame Control Field (FCF).



Bits [2:0]: describes the "Frame Type". Table 8-3 summarizes frame types defined by IEEE 802.15.4-2006 [2], Section 7.2.1.1.1.

Table 8-3. Frame Control Field – Frame Type Subfield.

Frame Control Field Bit Assignments		Description
Frame Type Value b <sub>2</sub> b <sub>1</sub> b <sub>0</sub>	Value	
000	0	Beacon
001	1	Data
010	2	Acknowledge
011	3	MAC command
100 – 111	4 – 7	Reserved

This subfield is used for frame filtering by the third level filter rules. By default, only frame types 0 – 3 pass the third level filter rules, refer to [Section 8.2](#). Automatic frame filtering by the Atmel AT86RF212B is enabled when using the RX\_AACK mode, refer to [Section 7.2.3](#).

However, a reserved frame (frame type value > 3) can be received if register bit AACK\_UPLD\_RES\_FT (register 0x17, XAH\_CTRL\_1) is set, for details refer to [Section 7.2.3.3](#).

Frame filtering is also provided in Basic Operating Mode, refer to [Section 7.1](#).

**Bit 3:** indicates whether security processing applies to this frame. This field is evaluated by the Frame Filter.

**Bit 4:** is the “Frame Pending” subfield. This field can be set in an acknowledgment frame (ACK) in response to a data request MAC command frame. This bit indicates that the node, which transmitted the ACK, might have more data to send to the node receiving the ACK.

- Note: 1. For acknowledgment frames automatically generated by the AT86RF212B, this bit is set according to the content of register bit AACK\_SET\_PD in register 0x2E (CSMA\_SEED\_1) if the received frame was a data request MAC command frame.

**Bit 5:** forms the “Acknowledgment Request” subfield. If this bit is set within a data or MAC command frame that is not broadcast, the recipient shall acknowledge the reception of the frame within the time specified by IEEE 802.15.4, that is within 12 symbol periods for nonbeacon-enabled networks.

The radio transceiver parses this bit during RX\_AACK mode and transmits an acknowledgment frame if necessary.

In TX\_ARET mode this bit indicates if an acknowledgement frame is expected after transmitting a frame. If this is the case, the receiver waits for the acknowledgment frame, otherwise the TX\_ARET transaction is finished.

**Bit 6:** the “PAN ID Compression” subfield, indicates that in a frame where both the destination and source addresses are present, the PAN ID is omitted from the source addressing field. This bit is evaluated by the Frame Filter of the Atmel AT86RF212B. This subfield was previously named “Intra-PAN”.

**Bits [11:10]:** the “Destination Addressing Mode” subfield describes the format of the destination address of the frame. The values of the address modes are summarized in [Table 8-4](#), according to IEEE 802.15.4.

**Table 8-4.** Frame Control Field – Destination and Source Addressing Mode.

Frame Control Field Bit Assignments		Description
Addressing Mode b <sub>11</sub> b <sub>10</sub> b <sub>15</sub> b <sub>14</sub>	Value	
00	0	PAN identifier and address fields are not present
01	1	Reserved
10	2	Address field contains a 16-bit short address
11	3	Address field contains a 64-bit extended address

If the destination address mode is either two or three (that is if the destination address is present), it always consists of a 16-bit PAN-ID first, followed by either the 16-bit or 64-bit address as described by the mode.

**Bits [13:12]:** the “Frame Version” subfield specifies the version number corresponding to the frame, see [Table 8-5](#). These bits are reserved in IEEE 802.15.4-2003.

This subfield shall be set to zero to indicate a frame compatible with IEEE 802.15.4-2003 and one to indicate an IEEE 802.15.4-2006 frame. All other subfield values shall be reserved for future use.

RX\_AACK register bits AACK\_FVN\_MODE (register 0x2E, CSMA\_SEED\_1) controls the behavior of frame acknowledgements. This register determines if, depending on the Frame Version Number, a frame is acknowledged or not. This is necessary for backward compatibility to IEEE 802.15.4-2003 and for future use. Even if frame version numbers two and three are reserved, it can be handled by the radio transceiver, for details refer to [Section 7.2.7](#).

See IEEE 802.15.4-2006 [2], Section 7.2.3, for details on frame compatibility.

**Table 8-5.** Frame Control Field – Frame Version Subfield.

Frame Control Field Bit Assignments		Description
Frame Version b <sub>13</sub> b <sub>12</sub>	Value	
00	0	Frames are compatible with IEEE 802.15.4-2003
01	1	Frames are compatible with IEEE 802.15.4-2006
10	2	Reserved
11	3	Reserved

**Bits [15:14]:** the “Source Addressing Mode” subfield, with similar meaning as “Destination Addressing Mode”, see [Table 8-4](#).

The addressing field description bits of the FCF (Bits 0–2, 3, 6, 10–15) affect the Atmel AT86RF212B Frame Filter, see [Section 8.2](#).

### 8.1.2.3 Frame Compatibility between IEEE 802.15.4-2003 and IEEE 802.15.4-2006

All unsecured frames according to IEEE 802.15.4-2006 are compatible with unsecured frames compliant with IEEE 802.15.4-2003 with two exceptions: a coordinator realignment command frame with the “Channel Page” field present (see IEEE 802.15.4-2006 [2], Section 7.3.8) and any frame with a MAC Payload field larger than *aMaxMACSafePayloadSize octets*.

Compatibility for secured frames is shown in [Table 8-6](#), which identifies the security operating modes for IEEE 802.15.4-2003 and IEEE 802.15.4-2006.

**Table 8-6.** Frame Control Field – Security and Frame Version.

Frame Control Field Bit Assignments		Description
Security Enabled b <sub>3</sub>	Frame Version b <sub>13</sub> b <sub>12</sub>	
0	00	No security. Frames are compatible between IEEE 802.15.4-2003 and IEEE 802.15.4-2006.
0	01	No security. Frames are not compatible between IEEE 802.15.4-2003 and IEEE 802.15.4-2006.
1	00	Secured frame formatted according to IEEE 802.15.4-2003. This frame type is not supported in IEEE 802.15.4-2006.
1	01	Secured frame formatted according to IEEE 802.15.4-2006.

#### 8.1.2.4 Sequence Number

The one-octet sequence number following the FCF identifies a particular frame, so that duplicated frame transmissions can be detected. While operating in RX\_AACK mode, the content of this field is copied from the frame to be acknowledged into the acknowledgment frame.

#### 8.1.2.5 Addressing Fields

The addressing fields of the MPDU are used by the Atmel AT86RF212B for address matching indication. The destination address (if present) is always first, followed by the source address (if present). Each address field consists of the PAN-ID and a device address. If both addresses are present, and the “PAN ID compression” subfield in the FCF is set to one, the source PAN-ID is omitted.

Note that in addition to these general rules, IEEE 802.15.4 further restricts the valid address combinations for the individual possible MAC frame types. For example, the situation where both addresses are omitted (source addressing mode = 0 and destination addressing mode = 0) is only allowed for acknowledgment frames. The address filter in the AT86RF212B has been designed to apply to IEEE 802.15.4 compliant frames. It can be configured to handle other frame formats and exceptions.

#### 8.1.2.6 Auxiliary Security Header Field

The Auxiliary Security Header specifies information required for security processing and has a variable length. This field determines how the frame is actually protected (security level) and which keying material from the MAC security PIB is used (see IEEE 802.15.4-2006 [2], Section 7.6.1). This field shall be present only if the Security Enabled subfield b<sub>3</sub>, see [Section 8.1.2.3](#), is set to one. For details of its structure, see IEEE 802.15.4-2006, Section 7.6.2 Auxiliary security header.

#### 8.1.2.7 MAC Service Data Unit (MSDU)

This is the actual MAC payload. It is usually structured according to the individual frame type. A description can be found in IEEE 802.15.4-2006, Section 5.5.3.2.

#### 8.1.2.8 MAC Footer (MFR) Fields

The MAC footer consists of a two octet Frame Checksum (FCS), for details refer to [Section 8.3](#).

## 8.2 Frame Filter

Frame Filtering is a procedure that evaluates whether or not a received frame matches predefined criteria, like source or destination address or frame types. A filtering procedure as described in IEEE 802.15.4-2006 Section 7.5.6.2 (Third level of filtering) is applied to the frame to accept a received frame and to generate the address match interrupt IRQ\_5 (AMI).

The Atmel AT86RF212B Frame Filter passes only frames that satisfy all of the following requirements/rules (quote from IEEE 802.15.4-2006, Section 7.5.6.2):

1. The Frame Type subfield shall not contain a reserved frame type.
2. The Frame Version subfield shall not contain a reserved value.
3. If a destination PAN identifier is included in the frame, it shall match *macPANId* or shall be the broadcast PAN identifier (0xFFFF).
4. If a short destination address is included in the frame, it shall match either *macShortAddress* or the broadcast address (0xFFFF). Otherwise, if an extended destination address is included in the frame, it shall match *aExtendedAddress*.
5. If the frame type indicates that the frame is a beacon frame, the source PAN identifier shall match *macPANId* unless *macPANId* is equal to 0xFFFF, in which case the beacon frame shall be accepted regardless of the source PAN identifier.
6. If only source addressing fields are included in a data or MAC command frame, the frame shall be accepted only if the device is the PAN coordinator and the source PAN identifier matches *macPANId*.

Moreover the AT86RF212B has two additional requirements:

7. The frame type shall indicate that the frame is not an acknowledgment (ACK) frame.
8. At least one address field must be present.

Address match, indicated by interrupt IRQ\_5 (AMI), is further controlled by the content of subfields of the frame control field of a received frame according to the following rule:

If Destination Addressing Mode is 0/1 and Source Addressing Mode is zero (see [Section 8.1.2.2](#)), no interrupt IRQ\_5 (AMI) is generated. This effectively causes all acknowledgement frames not to be announced, which would otherwise always pass the filter, regardless of whether they are intended for this device or not.

For backward compatibility to IEEE 802.15.4-2003 third level filter rule two (Frame Version) can be disabled by register bits AACK\_FVN\_MODE (register 0x2E, CSMA\_SEED\_1).

Frame filtering is available in Extended and Basic Operating Mode. A frame that passes the Frame Filter generates the interrupt IRQ\_5 (AMI) if not masked.

- Notes:
1. Filter rule one is affected by register bits AACK\_FLTR\_RES\_FT and AACK\_UPLD\_RES\_FT, [Section 8.2.3](#).
  2. Filter rule two is affected by register bits AACK\_FVN\_MODE, [Section 8.2.3](#).

## 8.2.1 Configuration

The Frame Filter is configured by setting the appropriate address variables and several additional properties as described in [Table 8-7](#).

**Table 8-7.** Frame Filter Configuration.

Register Address	Register Bits	Register Name	Description
0x20,0x21 0x22,0x23 0x24 ... 0x2B		SHORT_ADDR_0/1 PAN_ADDR_0/1 IEEE_ADDR_0 ... IEEE_ADDR_7	Set <i>macShortAddress</i> , <i>macPANId</i> , and <i>aExtendedAddress</i> as described in [2].
0x17	1	AACK_PROM_MODE	<u>0</u> : Disable promiscuous mode. <u>1</u> : Enable promiscuous mode.
0x17	4	AACK_UPLD_RES_FT	Enable reserved frame type reception, needed to receive non-standard compliant frames, see <a href="#">Section 8.2.2</a> . <u>0</u> : Disable reserved frame type reception. <u>1</u> : Enable reserved frame type reception.
0x17	5	AACK_FLTR_RES_FT	Filter reserved frame types like data frame type, needed for filtering of non-standard compliant frames. <u>0</u> : Disable reserved frame types filtering. <u>1</u> : Enable reserved frame types filtering.
0x2E	3	AACK_I_AM_COORD	<u>0</u> : Device is not PAN coordinator. <u>1</u> : Device is PAN coordinator.
0x2E	7:6	AACK_FVN_MODE	Controls the ACK behavior, depending on FCF frame version number. <i>b00</i> : Acknowledges only frames with version number 0, that is according to IEEE 802.15.4-2003 frames. <i>b01</i> : Acknowledges only frames with version number 0 or 1, that is frames according to IEEE 802.15.4-2006. <i>b10</i> : Acknowledges only frames with version number 0 or 1 or 2. <i>b11</i> : Acknowledges all frames, independent of the FCF frame version number.

## 8.2.2 Handling of Reserved Frame Types

Reserved frame types (as described in [Section 7.2.3.3](#)) are treated according to bits AACK\_UPLD\_RES\_FT and AACK\_FLTR\_RES\_FT of register 0x17 (XAH\_CTRL\_1) with three options:

1. AACK\_UPLD\_RES\_FT = 1, AACK\_FLT\_RES\_FT = 0:

Any non-corrupted frame with a reserved frame type is indicated by an IRQ\_3 (TRX\_END) interrupt. No further address filtering is applied on those frames. An IRQ\_5 (AMI) interrupt is never generated and the acknowledgment subfield is ignored.

2. AACK\_UPLD\_RES\_FT = 1, AACK\_FLTR\_RES\_FT = 1:

If AACK\_FLTR\_RES\_FT = 1 any frame with a reserved frame type is filtered by the address filter similar to a data frame as described in the standard. This implies the generation of the IRQ\_5 (AMI) interrupts upon address match. An IRQ\_3 (TRX\_END) interrupt is only generated if the address matched and the frame was not corrupted. An acknowledgment is only send, when the ACK request subfield was set in the received frame and an IRQ\_3 (TRX\_END) interrupt occurred.

3. AACK\_UPLD\_RES\_FT = 0:

Any received frame with a reserved frame type is discarded.

## 8.2.3 Register Description

### Register 0x17 (XAH\_CTRL\_1):

The XAH\_CTRL\_1 register is a multi-purpose control register for Extended Operating Mode.

**Figure 8-4.** Register XAH\_CTRL\_1.

Bit	7	6	5	4	
0x17	reserved	CSMA_LBT_MODE	AACK_FLTR_RES_FT	AACK_UPLD_RES_FT	XAH_CTRL_1
Read/Write	R/W	R/W	R/W	R/W	
Reset value	0	0	0	0	
Bit	3	2	1	0	
0x17	reserved	AACK_ACK_TIME	AACK_PROM_MODE	reserved	XAH_CTRL_1
Read/Write	R	R/W	R/W	R	
Reset value	0	0	0	0	

- **Bit 5 - AACK\_FLTR\_RES\_FT**

Filter reserved frame types like data frame type. The register bit AACK\_FLTR\_RES\_FT shall only be set if register bit AACK\_UPLD\_RES\_FT = 1.

**Table 8-8.** AACK\_FLTR\_RES\_FT.

Register Bits	Value	Description
AACK_FLTR_RES_FT	0 <sup>(1)</sup>	Filtering reserved frame types is disabled
	1 <sup>(2)</sup>	Filtering reserved frame types is enabled

Notes: 1. If AACK\_FLTR\_RES\_FT = 0 the received reserved frame is only checked for a valid FCS.

2. If AACK\_FLTR\_RES\_FT = 1 reserved frame types are filtered similar to data frames as specified in IEEE 802.15.4-2006.

Reserved frame types are explained in IEEE 802.15.4 Section 7.2.1.1.1.

- **Bit 4 - AACK\_UPLD\_RES\_FT**

Upload reserved frame types within RX\_AACK mode.

**Table 8-9.** AACK\_UPLD\_RES\_FT.

Register Bits	Value	Description
AACK_UPLD_RES_FT	0	Upload of reserved frame types is disabled
	1 <sup>(1)</sup>	Upload of reserved frame types is enabled

Note: 1. If AACK\_UPLD\_RES\_FT = 1 received frames indicated as a reserved frame are further processed. For those frames, an IRQ\_3 (TRX\_END) interrupt is generated if the FCS is valid.

In conjunction with the configuration bit AACK\_FLTR\_RES\_FT, these frames are handled like IEEE 802.15.4 compliant data frames during RX\_AACK transaction. An IRQ\_5 (AMI) interrupt is issued, if the addresses in the received frame match the node's addresses.

That means, if a reserved frame passes the third level filter rules, an acknowledgement frame is generated and transmitted if it was requested by the received frame. If this is not wanted register bit AACK\_DIS\_ACK (register 0x2E, CSMA\_SEED\_1) has to be set.

- **Bit 1 - AACK\_PROM\_MODE**

The register bit AACK\_PROM\_MODE enables the promiscuous mode, within the RX\_AACK mode.

**Table 8-10.** AACK\_PROM\_MODE.

Register Bits	Value	Description
AACK_PROM_MODE	0	Promiscuous mode is disabled
	1	Promiscuous mode is enabled

Refer to IEEE 802.15.4-2006 Section 7.5.6.5.

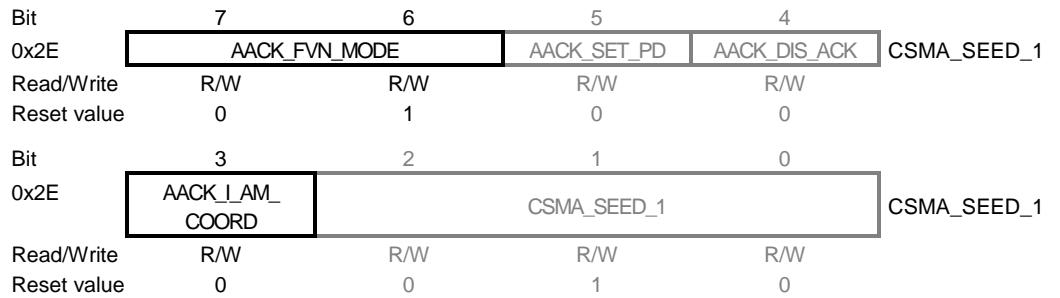
If this register bit is set, every incoming frame with a valid PHR finishes with IRQ\_3 (TRX\_END) interrupt even if the third level filter rules do not match or the FCS is not valid. However, register bit RX\_CRC\_VALID (register 0x06, PHY\_RSSI) is set accordingly.

In contrast to IEEE 802.15.4-2006, if a frame passes the third level filter rules, an acknowledgement frame is generated and transmitted unless disabled by register bit AACK\_DIS\_ACK (register 0x2E, CSMA\_SEED\_1), or use Basic Operating Mode instead.

**Register 0x2E (CSMA\_SEED\_1):**

The CSMA\_SEED\_1 register is a control register for RX\_AACK and contains a part of the CSMA\_SEED for the CSMA-CA algorithm.

**Figure 8-5.** Register CSMA\_SEED\_1.



• **Bit 7:6 - AACK\_FVN\_MODE**

The register bits AACK\_FVN\_MODE control the ACK behavior dependent on FCF frame version number within RX\_AACK mode.

**Table 8-11.** AACK\_FVN\_MODE.

Register Bits	Value	Description
AACK_FVN_MODE	0	Accept frames with version number 0
	1	Accept frames with version number 0 or 1
	2	Accept frames with version number 0 or 1 or 2
	3	Accept frames independent of frame version number

Note: 1. AACK\_FVN\_MODE value one indicates frames according to IEEE 802.15.4–2006, a value of three indicates frames according to IEEE 802.15.4–2003 standard.

The frame control field of the MAC header (MHR) contains a frame version subfield. The setting of register bits AACK\_FVN\_MODE specifies the frame filtering behavior of the Atmel AT86RF212B. According to the content of these register bits the radio transceiver passes frames with a specific frame version number, number group, or independent of the frame version number.

Thus the register bits AACK\_FVN\_MODE defines the maximum acceptable frame version. Received frames with a higher frame version number than configured do not pass the frame filter and are not acknowledged.

The frame version field of the acknowledgment frame is set to zero according to IEEE 802.15.4-2006, Section 7.2.2.3.1 Acknowledgment frame MHR fields.

• **Bit 3 - AACK\_I\_AM\_COORD**

This register bit has to be set if the node is a PAN coordinator. It is used for frame filtering in RX\_AACK.

**Table 8-12. AACK\_I\_AM\_COORD.**

Register Bits	Value	Description
AACK_I_AM_COORD	0	PAN coordinator addressing is disabled
	1	PAN coordinator addressing is enabled

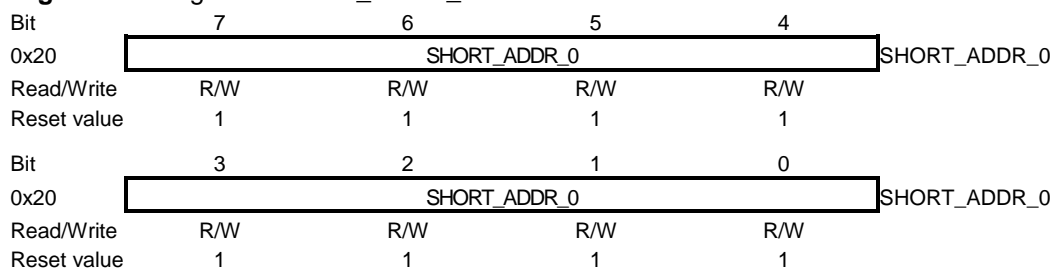
If AACK\_I\_AM\_COORD = 1 and if only source addressing fields are included in a data or MAC command frame, the frame shall be accepted only if the device is the PAN coordinator and the source PAN identifier matches *macPANId*, for details refer to IEEE 802.15.4-2006, Section 7.5.6.2 (third-level filter rule six).

### 8.2.4 Register Description – Address Registers

**Register 0x20 (SHORT\_ADDR\_0):**

This register contains the lower 8-bit of the MAC short address for Frame Filter address recognition, bits[7:0].

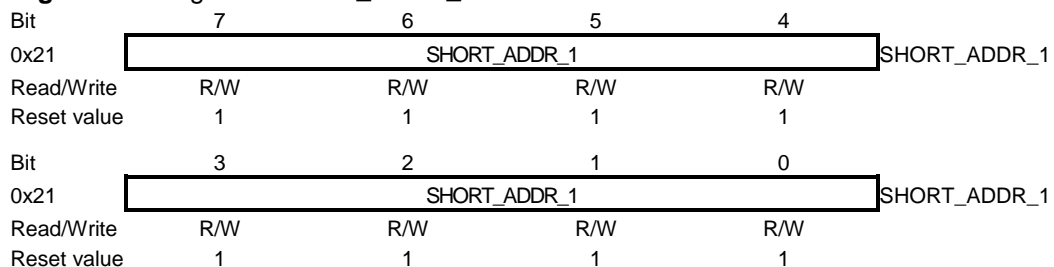
**Figure 8-6. Register SHORT\_ADDR\_0.**



**Register 0x21 (SHORT\_ADDR\_1):**

This register contains the higher 8-bit of the MAC short address for Frame Filter address recognition, bits[15:8].

**Figure 8-7. Register SHORT\_ADDR\_1.**



## Register 0x22 (PAN\_ID\_0):

This register contains the lower 8-bit of the MAC PAN ID for Frame Filter address recognition, bits[7:0].

**Figure 8-8.** Register PAN\_ID\_0.

Bit	7	6	5	4	
0x22	PAN_ID_0				PAN_ID_0
Read/Write	R/W	R/W	R/W	R/W	
Reset value	1	1	1	1	
Bit	3	2	1	0	
0x22	PAN_ID_0				PAN_ID_0
Read/Write	R/W	R/W	R/W	R/W	
Reset value	1	1	1	1	

## Register 0x23 (PAN\_ID\_1):

This register contains the higher 8-bit of the MAC PAN ID for Frame Filter address recognition, bits[15:8].

**Figure 8-9.** Register PAN\_ID\_1.

Bit	7	6	5	4	
0x23	PAN_ID_1				PAN_ID_1
Read/Write	R/W	R/W	R/W	R/W	
Reset value	1	1	1	1	
Bit	3	2	1	0	
0x23	PAN_ID_1				PAN_ID_1
Read/Write	R/W	R/W	R/W	R/W	
Reset value	1	1	1	1	

## Register 0x24 (IEEE\_ADDR\_0):

This register contains the lower 8-bit of the MAC IEEE address for Frame Filter address recognition, bits[7:0].

**Figure 8-10.** Register IEEE\_ADDR\_0.

Bit	7	6	5	4	
0x24	IEEE_ADDR_0				IEEE_ADDR_0
Read/Write	R/W	R/W	R/W	R/W	
Reset value	0	0	0	0	
Bit	3	2	1	0	
0x24	IEEE_ADDR_0				IEEE_ADDR_0
Read/Write	R/W	R/W	R/W	R/W	
Reset value	0	0	0	0	

**Register 0x25 (IEEE\_ADDR\_1):**

This register contains 8-bit of the MAC IEEE address for Frame Filter address recognition, bits[15:8].

**Figure 8-11.** Register IEEE\_ADDR\_1.

Bit	7	6	5	4	
0x25	IEEE_ADDR_1				IEEE_ADDR_1
Read/Write	R/W	R/W	R/W	R/W	
Reset value	0	0	0	0	
Bit	3	2	1	0	
0x25	IEEE_ADDR_1				IEEE_ADDR_1
Read/Write	R/W	R/W	R/W	R/W	
Reset value	0	0	0	0	

**Register 0x26 (IEEE\_ADDR\_2):**

This register contains 8-bit of the MAC IEEE address for Frame Filter address recognition, bits[23:16].

**Figure 8-12.** Register IEEE\_ADDR\_2.

Bit	7	6	5	4	
0x26	IEEE_ADDR_2				IEEE_ADDR_2
Read/Write	R/W	R/W	R/W	R/W	
Reset value	0	0	0	0	
Bit	3	2	1	0	
0x26	IEEE_ADDR_2				IEEE_ADDR_2
Read/Write	R/W	R/W	R/W	R/W	
Reset value	0	0	0	0	

**Register 0x27 (IEEE\_ADDR\_3):**

This register contains 8-bit of the MAC IEEE address for Frame Filter address recognition, bits[31:24].

**Figure 8-13.** Register IEEE\_ADDR\_3.

Bit	7	6	5	4	
0x27	IEEE_ADDR_3				IEEE_ADDR_3
Read/Write	R/W	R/W	R/W	R/W	
Reset value	0	0	0	0	
Bit	3	2	1	0	
0x27	IEEE_ADDR_3				IEEE_ADDR_3
Read/Write	R/W	R/W	R/W	R/W	
Reset value	0	0	0	0	

## Register 0x28 (IEEE\_ADDR\_4):

This register contains 8-bit of the MAC IEEE address for Frame Filter address recognition, bits[39:32].

**Figure 8-14.** Register IEEE\_ADDR\_4.

Bit	7	6	5	4	
0x28	IEEE_ADDR_4				IEEE_ADDR_4
Read/Write	R/W	R/W	R/W	R/W	
Reset value	0	0	0	0	
Bit	3	2	1	0	
0x28	IEEE_ADDR_4				IEEE_ADDR_4
Read/Write	R/W	R/W	R/W	R/W	
Reset value	0	0	0	0	

## Register 0x29 (IEEE\_ADDR\_5):

This register contains 8-bit of the MAC IEEE address for Frame Filter address recognition, bits[47:40].

**Figure 8-15.** Register IEEE\_ADDR\_5.

Bit	7	6	5	4	
0x29	IEEE_ADDR_5				IEEE_ADDR_5
Read/Write	R/W	R/W	R/W	R/W	
Reset value	0	0	0	0	
Bit	3	2	1	0	
0x29	IEEE_ADDR_5				IEEE_ADDR_5
Read/Write	R/W	R/W	R/W	R/W	
Reset value	0	0	0	0	

## Register 0x2A (IEEE\_ADDR\_6):

This register contains 8-bit of the MAC IEEE address for Frame Filter address recognition, bits[55:48].

**Figure 8-16.** Register IEEE\_ADDR\_6.

Bit	7	6	5	4	
0x2A	IEEE_ADDR_6				IEEE_ADDR_6
Read/Write	R/W	R/W	R/W	R/W	
Reset value	0	0	0	0	
Bit	3	2	1	0	
0x2A	IEEE_ADDR_6				IEEE_ADDR_6
Read/Write	R/W	R/W	R/W	R/W	
Reset value	0	0	0	0	

**Register 0x2B (IEEE\_ADDR\_7):**

This register contains the higher 8-bit of the MAC IEEE Frame Filter address for address recognition, bits[63:56].

**Figure 8-17.** Register IEEE\_ADDR\_7.

Bit	7	6	5	4	
0x2B	IEEE_ADDR_7				IEEE_ADDR_7
Read/Write	R/W	R/W	R/W	R/W	
Reset value	0	0	0	0	
Bit	3	2	1	0	
0x2B	IEEE_ADDR_7				IEEE_ADDR_7
Read/Write	R/W	R/W	R/W	R/W	
Reset value	0	0	0	0	

### 8.3 Frame Check Sequence (FCS)

The Frame Check Sequence (FCS) is characterized by:

- Indication of bit errors, based on a cyclic redundancy check (CRC) of length 16 bit
- A use of International Telecommunication Union (ITU) CRC polynomial
- Automatical evaluation during reception
- Automatical generation during transmission

#### 8.3.1 Overview

The FCS is intended for use at the MAC layer to detect corrupted frames at a first level of filtering. It is computed by applying an ITU CRC polynomial to all transferred bytes following the length field (MHR and MSDU fields). The frame check sequence has a length of 16 bit and is located in the last two bytes of a frame (MAC footer, see [Figure 8-2](#)).

The Atmel AT86RF212B applies an FCS check on each received frame. The FCS check result is stored in register bit RX\_CRC\_VALID (register 0x06, PHY\_RSSI).

On transmission the radio transceiver generates and appends the FCS bytes during the frame transmission. This behavior can be disabled by setting register bit TX\_AUTO\_CRC\_ON = 0 (register 0x04, TRX\_CTRL\_1).

#### 8.3.2 CRC Calculation

The CRC polynomial used in IEEE 802.15.4 networks is defined by

$$G_{16}(x) = x^{16} + x^{12} + x^5 + 1.$$

The FCS shall be calculated for transmission using the following algorithm:

Let

$$M(x) = b_0x^{k-1} + b_1x^{k-2} + \dots + b_{k-2}x + b_{k-1}$$

be the polynomial representing the sequence of bits for which the checksum is to be computed. Multiply  $M(x)$  by  $x^{16}$ , giving the polynomial

$$N(x) = M(x) \cdot x^{16}.$$

Divide  $N(x)$  modulo two by the generator polynomial,  $G_{16}(x)$ , to obtain the remainder polynomial,

$$R(x) = r_0x^{15} + r_1x^{14} + \dots + r_{14}x + r_{15}.$$

The FCS field is given by the coefficients of the remainder polynomial,  $R(x)$ .

#### Example:

Considering a five octet ACK frame. The MHR field consists of

0100 0000 0000 0000 0101 0110.

The leftmost bit ( $b_0$ ) is transmitted first in time. The FCS is in this case

0010 0111 1001 1110.

The leftmost bit ( $r_0$ ) is transmitted first in time.

### 8.3.3 Automatic FCS Generation

The automatic FCS generation is enabled with register bit TX\_AUTO\_CRC\_ON = 1. This allows the Atmel AT86RF212B to compute the FCS autonomously. For a frame with a frame length specified as  $N$  ( $3 \leq N \leq 127$ ), the FCS is calculated on the first  $N-2$  octets in the Frame Buffer, and the resulting FCS field is transmitted in place of the last two octets from the Frame Buffer.

In RX\_AACK mode, when a received frame needs to be acknowledged, the FCS of the ACK frame is always automatically generated by the AT86RF212B, independent of the TX\_AUTO\_CRC\_ON setting.

#### Example:

A frame transmission of length five with TX\_AUTO\_CRC\_ON set, is started with a Frame Buffer write access of five bytes (the last two bytes can be omitted). The first three bytes are used for FCS generation; the last two bytes are replaced by the internally calculated FCS.

### 8.3.4 Automatic FCS Check

An automatic FCS check is applied on each received frame with a frame length  $N \geq 2$ . Register bit RX\_CRC\_VALID (register 0x06, PHY\_RSSI) is set if the FCS of a received frame is valid. The register bit is updated when issuing interrupt IRQ\_3 (TRX\_END) and remains valid until the next TRX\_END interrupt caused by a new frame reception. In addition, bit[7] of byte RX\_STATUS is set accordingly, refer to [Section 6.3.2](#).

In Extended Operating Mode, the RX\_AACK procedure does not accept a frame if the corresponding FCS is not valid, that is no IRQ\_3 (TRX\_END) interrupt is issued. When operating in TX\_ARET mode, the FCS of a received ACK is automatically checked. If it is not correct, the ACK is not accepted; refer to [Section 7.2.4](#) for automated retries.

### 8.3.5 Register Description

#### Register 0x04 (TRX\_CTRL\_1):

The TRX\_CTRL\_1 register is a multi-purpose register to control various operating modes and settings of the radio transceiver.

**Figure 8-18.** Register TRX\_CTRL\_1.

Bit	7	6	5	4	
0x04	PA_EXT_EN	IRQ_2_EXT_EN	TX_AUTO_CRC_ON	RX_BL_CTRL	TRX_CTRL_1
Read/Write	R/W	R/W	R/W	R/W	
Reset value	0	0	1	0	
Bit	3	2	1	0	
0x04	SPI_CMD_MODE		IRQ_MASK_MODE	IRQ_POLARITY	TRX_CTRL_1
Read/Write	R/W	R/W	R/W	R/W	
Reset value	0	0	0	0	

• **Bit 5 - TX\_AUTO\_CRC\_ON**

The register bit TX\_AUTO\_CRC\_ON controls the automatic FCS generation for transmit operations.

**Table 8-13.** TX\_AUTO\_CRC\_ON.

Register Bits	Value	Description
TX_AUTO_CRC_ON	0	Automatic FCS generation is disabled
	1	Automatic FCS generation is enabled

Note: 1. The TX\_AUTO\_CRC\_ON function can be used within Basic and Extended Operating Modes.

**Register 0x06 (PHY\_RSSI):**

The PHY\_RSSI register is a multi-purpose register that indicates FCS validity, to provide random numbers, and a RSSI value.

**Figure 8-19.** Register PHY\_RSSI.

Bit	7	6	5	4	
0x06	RX_CRC_VALID	RND_VALUE		RSSI	PHY_RSSI
Read/Write	R	R	R	R	
Reset value	0	0	0	0	
Bit	3	2	1	0	
0x06	RSSI				PHY_RSSI
Read/Write	R	R	R	R	
Reset value	0	0	0	0	

• **Bit 7 - RX\_CRC\_VALID**

The register bit RX\_CRC\_VALID signals the FCS check status for a received frame.

**Table 8-14.** RX\_CRC\_VALID.

Register Bits	Value	Description
RX_CRC_VALID	0	FCS is not valid
	1	FCS is valid

Reading this register bit indicates whether the last received frame has a valid FCS or not. The register bit is updated at the same time the IRQ\_3 (TRX\_END) is issued and remains valid until the next SHR detection.

## 8.4 Received Signal Strength Indicator (RSSI)

The Received Signal Strength Indicator is characterized by:

- Minimum RSSI level is  $RSSI_{BASE\_VAL}$
- Dynamic range is 87dB
- Minimum RSSI value is 0
- Maximum RSSI value is 28

### 8.4.1 Overview

The RSSI is a 5-bit value indicating the receive power in the selected channel, in steps of 3.1dB. No attempt is made to distinguish IEEE 802.15.4 signals from others, only the received signal strength is evaluated. The RSSI provides the basis for an ED measurement, see [Section 8.5](#).

### 8.4.2 Reading RSSI

In Basic Operating Modes, the RSSI value is valid in any receive state and is updated at time intervals according to [Table 8-15](#) (see parameter  $t_{RSSI}$  on [Table 7-2](#)). The current RSSI value can be accessed by reading register bits RSSI (register 0x06, PHY\_RSSI).

**Table 8-15.** RSSI Update Interval.

PHY Mode	Update Interval [ $\mu$ s]
BPSK-20	32
BPSK-40	24
O-QPSK	8

It is not recommended reading the RSSI value when using the Extended Operating Modes. Instead, the automatically generated ED value should be used, see [Section 8.5](#).

### 8.4.3 Data Interpretation

The RSSI value is a 5-bit value in a range of zero to 28, indicating the receiver input power in steps of about 3.1dB.

A RSSI value of zero indicates a receiver RF input power less than or equal to  $P_{RF} \leq RSSI_{BASE\_VAL}$ . For a RSSI value in the range of one to 28, the RF input power can be calculated as follows:

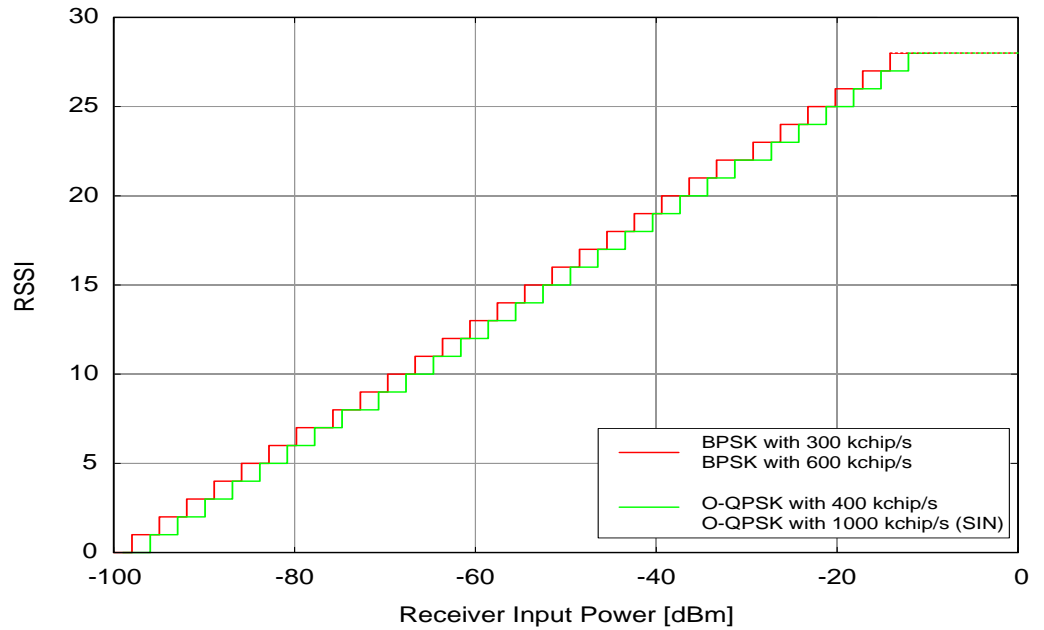
$$P_{RF}[\text{dBm}] = RSSI_{BASE\_VAL}[\text{dBm}] + 3.1[\text{dB}] \times RSSI$$

The value  $RSSI_{BASE\_VAL}$  itself depends on the PHY mode, refer to [Section 9.1](#). For typical conditions, it is shown in [Table 8-16](#).

**Table 8-16.**  $RSSI_{BASE\_VAL}$ .

PHY Mode	$RSSI_{BASE\_VAL}$ [dBm]
BPSK with 300kchip/s	-100
BPSK with 600kchip/s	-99
O-QPSK with 400kchip/s, SIN and RC-0.2 shaping	-98
O-QPSK with 400kchip/s, RC-0.2 shaping	-98
O-QPSK with 1000kchip/s, SIN shaping	-98
O-QPSK with 1000kchip/s, RC-0.8 shaping	-97

Figure 8-20. Mapping between RSSI Value and Receiver Input Power.



8.4.4 Register Description

Register 0x06 (PHY\_RSSI):

The PHY\_RSSI register is a multi-purpose register that indicates FCS validity, to provide random numbers, and a RSSI value.

Figure 8-21. Register PHY\_RSSI.

Bit	7	6	5	4		
0x06	RX_CRC_VALID	RND_VALUE			RSSI	PHY_RSSI
Read/Write	R	R	R	R		
Reset value	0	0	0	0		
Bit	3	2	1	0		
0x06	RSSI					PHY_RSSI
Read/Write	R	R	R	R		
Reset value	0	0	0	0		

• Bit 4:0 - RSSI

Received signal strength as a linear curve on a logarithmic input power scale with a resolution of 3.1dB.

Table 8-17. RSSI.

Register Bits	Value	Description
RSSI	0x00	Minimum RSSI value
	0x1C	Maximum RSSI value

The result of the automated RSSI measurement is stored in register bits RSSI (register 0x06, PHY\_RSSI). The value is updated at time intervals according to Table 8-15 in any receive state. RSSI is a number between zero and 28, representing the received signal strength.

## 8.5 Energy Detection (ED)

The Atmel AT86RF212B Energy Detection (ED) module is characterized by

- 85 unique energy levels defined
- 1dB resolution
- A measurement time of eight symbol periods for IEEE 802.15.4 compliant data rates

### 8.5.1 Overview

The receiver ED measurement (ED scan procedure) can be used as a part of a channel selection algorithm. It is an estimation of the received signal power within the bandwidth of an IEEE 802.15.4 channel. No attempt is made to identify or decode signals on the channel. The ED value is calculated by averaging RSSI values over eight symbol periods, with the exception of the High Data Rate Modes (refer to [Section 9.1.4](#)).

### 8.5.2 Measurement Description

There are two ways to initiate an ED measurement,

- Manually by writing an arbitrary value to register 0x07 (PHY\_ED\_LEVEL), or
- Automatically after detection of a valid SHR of an incoming frame.

Manually:

For manually initiated ED measurements, the radio transceiver needs to be either in the state RX\_ON or BUSY\_RX. The end of the ED measurement time (eight symbol periods plus a processing time) is indicated by the interrupt IRQ\_4 (CCA\_ED\_DONE) and the measurement result is stored in register 0x07 (PHY\_ED\_LEVEL), refer to  $t_{ED}$  in [Table 7-2](#).

In order to avoid interference with an automatically initiated ED measurement, the SHR detection can be disabled by setting register bit RX\_PDT\_DIS (register 0x15, RX\_SYN), refer to [Section 9.2](#).

- Note:
1. It is not recommended to manually initiate an ED measurement when using the Extended Operating Mode.

Automatically:

An automated ED measurement is started upon SHR detection. The end of the automated measurement is not signaled by an interrupt.

When using the Basic Operating Mode and standard compliant data rates, a valid ED value (register 0x07, PHY\_ED\_LEVEL) of the currently received frame is accessible not later than eight symbol periods after IRQ\_2 (RX\_START) plus a processing time of 12 $\mu$ s. For High Data Rate Modes (refer to [Section 9.1.4](#)), the measurement duration is reduced to two symbol periods plus a processing time of 12 $\mu$ s. The ED value remains valid until a new RX\_START interrupt is generated by the next incoming frame or until another ED measurement is initiated.

When using the Extended Operating Mode, it is useful to mask IRQ\_2 (RX\_START), thus the interrupt cannot be used as timing reference. A successful frame reception is signaled by interrupt IRQ\_3 (TRX\_END). In this case, the ED value needs to be read within the time span of a next SHR

detection plus the ED measurement time in order to avoid overwrite of the current ED value.

- Note: 2. The ED result is not updated during the rest of the frame reception, even by requesting an ED measurement manually.

### 8.5.3 Data Interpretation

The PHY\_ED\_LEVEL is an 8-bit register. The ED\_LEVEL value of the Atmel AT86RF212B has a valid range from 0x00 to 0x54 with a resolution of 1.03dB. Values 0x55 to 0xFE do not occur and a value of 0xFF indicates the reset value.

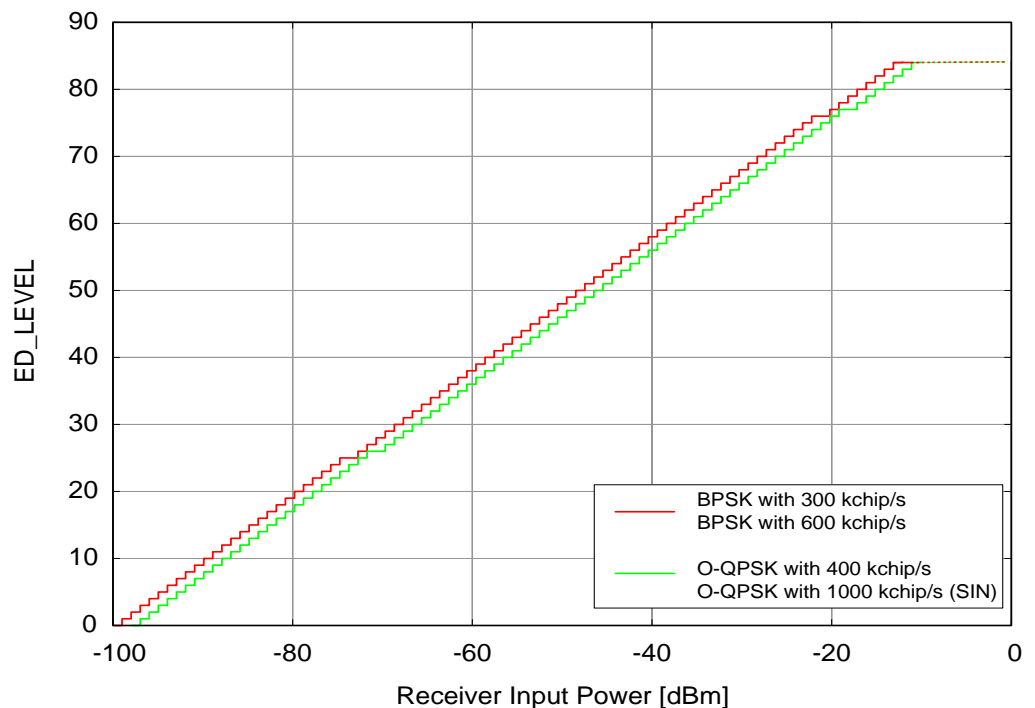
Due to environmental conditions (temperature, voltage, semiconductor parameters, etc.) the calculated ED\_LEVEL value has a maximum tolerance of ±6dB, this is to be considered as constant offset over the measurement range.

An ED\_LEVEL value of zero indicates a receiver RF input power less than or equal to  $RSSI_{BASE\_VAL}$  (refer to Table 8-16); a value of 84 indicates an input power equal to or larger than  $RSSI_{BASE\_VAL} + 87\text{dB}$ .

The receiver input power can be calculated as follows:

$$P_{RF}[\text{dBm}] = RSSI_{BASE\_VAL}[\text{dBm}] + 1.03[\text{dB}] \times ED\_LEVEL$$

**Figure 8-22.** Mapping between ED Value and Receiver Input Power.



### 8.5.4 Interrupt Handling

Interrupt IRQ\_4 (CCA\_ED\_DONE) is issued at the end of a manually initiated ED measurement.

- Note: 1. An ED measurement should only be initiated in RX states but not in RX\_AACK states. Otherwise, the radio transceiver generates an IRQ\_4 (CCA\_ED\_DONE) without actually performing an ED measurement.

## 8.5.5 Register Description

### Register 0x07 (PHY\_ED\_LEVEL):

The PHY\_ED\_LEVEL register contains the result of an ED measurement.

**Figure 8-23.** Register PHY\_ED\_LEVEL.

Bit	7	6	5	4	
0x07	ED_LEVEL				PHY_ED_LEVEL
Read/Write	R	R	R	R	
Reset value	1	1	1	1	
Bit	3	2	1	0	
0x07	ED_LEVEL				PHY_ED_LEVEL
Read/Write	R	R	R	R	
Reset value	1	1	1	1	

- **Bit 7:0 - ED\_LEVEL**

The register bits ED\_LEVEL signals the ED level for the current channel.

**Table 8-18.** ED\_LEVEL.

Register Bits	Value	Description
ED_LEVEL	0x00	Minimum ED level value
	0x54	Maximum ED level value
	0xFF	Reset value

The measured ED value has a valid range from 0x00 to 0x54 (zero to 84). The value 0xFF signals that no measurement has been started yet (reset value).

A manual ED measurement can be initiated by a write access to the register.

## 8.6 Clear Channel Assessment (CCA)

The main features of the Clear Channel Assessment (CCA) module are:

- All four modes are available as defined by IEEE 802.15.4-2006 in Section 6.9.9
- Adjustable threshold for energy detection algorithm

### 8.6.1 Overview

A CCA measurement is used to detect a clear channel. Four CCA modes are specified by IEEE 802.15.4-2006:

**Table 8-19.** CCA Mode Overview.

CCA Mode	Description
1	<i>Energy above threshold.</i> CCA shall report a busy medium upon detecting any energy above the ED threshold.
2	<i>Carrier sense only.</i> CCA shall report a busy medium only upon the detection of a signal with the modulation and spreading characteristics of an IEEE 802.15.4 compliant signal. The signal strength may be above or below the ED threshold.
0, 3	<i>Carrier sense with energy above threshold.</i> CCA shall report a busy medium using a logical combination of <ul style="list-style-type: none"> <li>- Detection of a signal with the modulation and spreading characteristics of this standard and</li> <li>- Energy above the ED threshold.</li> </ul> Where the logical operator may be configured as either OR (mode 0) or AND (mode 3).

### 8.6.2 Configuration and Request

The CCA modes are configurable via register 0x08 (PHY\_CC\_CCA).

When in Basic Operating Mode, a CCA request can be initiated manually by setting CCA\_REQUEST = 1 (register 0x08, PHY\_CC\_CCA), if the Atmel AT86RF212B is in any RX state. The current channel status (CCA\_STATUS) and the CCA completion status (CCA\_DONE) are accessible through register 0x01 (TRX\_STATUS).

The end of a manually initiated CCA (eight symbol periods plus 12µs processing delay) is indicated by the interrupt IRQ\_4 (CCA\_ED\_DONE).

The register bits CCA\_ED\_THRES (register 0x09, CCA\_THRES) defines the receive power threshold of the “energy above threshold” algorithm. The threshold is calculated by:

$$P_{\text{CCA\_ED\_THRES}}[\text{dBm}] = \text{RSSI}_{\text{BASE\_VAL}}[\text{dBm}] + 2.07[\text{dB}] \times \text{CCA\_ED\_THRES}.$$

Any received power above this level is interpreted as a busy channel.

- Note: 1. It is not recommended to manually initiate a CCA measurement when using the Extended Operating Mode.

### 8.6.3 Data Interpretation

The Atmel AT86RF212B current channel status (CCA\_STATUS) and the CCA completion status (CCA\_DONE) are accessible through register 0x01 (TRX\_STATUS).

Note: 1. The register bits CCA\_DONE and CCA\_STATUS are cleared in response to a CCA\_REQUEST.

The completion of a measurement cycle is indicated by CCA\_DONE = 1. If the radio transceiver detects no signal (idle channel) during the CCA evaluation period, the CCA\_STATUS bit is set to one; otherwise, it is set to zero.

When using the “energy above threshold” algorithm, a received power above  $P_{CCA\_ED\_THRES}$  is interpreted as a busy channel.

When using the “carrier sense” algorithm (that is CCA\_MODE = 0, 2, and 3), the AT86RF212B reports a busy channel upon detection of a PHY mode specific IEEE 802.15.4 signal above  $RSSI_{BASE\_VAL}$  (see Table 8-16). The AT86RF212B is also capable of detecting signals below this value, but the detection probability decreases with decreasing signal power. It is almost zero at the radio transceivers sensitivity level (see parameter  $P_{SENS}$  on Section 12.7).

### 8.6.4 Interrupt Handling

Interrupt IRQ\_4 (CCA\_ED\_DONE) is issued at the end of a manually initiated CCA measurement.

Note: 1. A CCA request should only be initiated in Basic Operating Mode receive states. Otherwise the radio transceiver generates an IRQ\_4 (CCA\_ED\_DONE) and sets the register bit CCA\_DONE = 1, even though no CCA measurement was performed.

### 8.6.5 Measurement Time

The response time of a manually initiated CCA measurement depends on the receiver state.

In RX\_ON state, the CCA measurement is done over eight symbol periods and the result is accessible upon the event IRQ\_4 (CCA\_ED\_DONE) or upon CCA\_DONE = 1 (register 0x01, TRX\_STATUS).

In BUSY\_RX state, the CCA measurement duration depends on the CCA mode and the CCA request relative to the detection of the SHR. The end of the CCA measurement is indicated by IRQ\_4 (CCA\_ED\_DONE). The variation of a CCA measurement period in BUSY\_RX state is described in Table 8-20.

It is recommended to perform CCA measurements in RX\_ON state only. To avoid switching accidentally to BUSY\_RX state, the SHR detection can be disabled by setting register bit RX\_PDT\_DIS (register 0x15, RX\_SYN), refer to Section 9.2. The receiver remains in RX\_ON state to perform a CCA measurement until the register bit RX\_PDT\_DIS is set back to continue the frame reception. In this case, the CCA measurement duration is eight symbol periods.

**Table 8-20.** CCA Measurement Period and Access in BUSY\_RX State.

CCA Mode	Request within ED measurement <sup>(1)</sup>	Request after ED measurement
1	<i>Energy above threshold.</i>	
	CCA result is available after finishing automated ED measurement period.	CCA result is immediately available after request.
2	<i>Carrier sense only.</i>	
	CCA result is immediately available after request.	
3	<i>Carrier sense with Energy above threshold (AND).</i>	
	CCA result is available after finishing automated ED measurement period.	CCA result is immediately available after request.
0	<i>Carrier sense with Energy above threshold (OR).</i>	
	CCA result is available after finishing automated ED measurement period.	CCA result is immediately available after request.

Note: 1. After detecting the SHR, an automated ED measurement is started with a length of eight symbol periods (two symbol periods for high rate PHY modes, refer to [Section 9.1.4](#)). This automated ED measurement must be finished to provide a result for the CCA measurement. Only one automated ED measurement per frame is performed.

## 8.6.6 Register Description

### Register 0x01 (TRX\_STATUS):

The read-only register TRX\_STATUS signals the present state of the radio transceiver as well as the status of a CCA operation.

**Figure 8-24.** Register TRX\_STATUS.

Bit	7	6	5	4	
0x01	CCA_DONE	CCA_STATUS	reserved	TRX_STATUS	TRX_STATUS
Read/Write	R	R	R	R	
Reset value	0	0	0	0	
Bit	3	2	1	0	
0x01	TRX_STATUS				TRX_STATUS
Read/Write	R	R	R	R	
Reset value	0	0	0	0	

- **Bit 7 - CCA\_DONE**

**Table 8-21.** CCA\_DONE.

Register Bits	Value	Description
CCA_DONE	0	CCA calculation not finished
	1	CCA calculation finished

The register bit CCA\_DONE indicates if a CCA request is completed. This is also indicated by an interrupt IRQ\_4 (CCA\_ED\_DONE). The register bit CCA\_DONE is cleared in response to a CCA\_REQUEST.

• **Bit 6 - CCA\_STATUS**

**Table 8-22. CCA\_STATUS.**

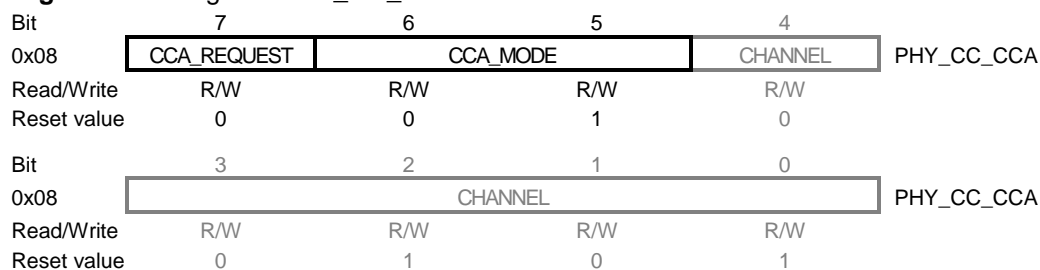
Register Bits	Value	Description
CCA_STATUS	0	Channel indicated as busy
	1	Channel indicated as idle

After a CCA request is completed, the result of the CCA measurement is available in register bit CCA\_STATUS. The register bit CCA\_STATUS is cleared in response to a CCA\_REQUEST.

**Register 0x08 (PHY\_CC\_CCA):**

The PHY\_CC\_CCA register is a multi-purpose register that controls CCA configuration, CCA measurement, and the IEEE 802.15.4 channel setting.

**Figure 8-25. Register PHY\_CC\_CCA.**



• **Bit 7 - CCA\_REQUEST**

The register bit CCA\_REQUEST initiates a manual started CCA measurement.

**Table 8-23. CCA\_REQUEST.**

Register Bits	Value	Description
CCA_REQUEST	0	Reset value
	1	Starts a CCA measurement

- Notes:
1. The read value returns always with zero.
  2. If a CCA request is initiated in states others than RX\_ON or RX\_BUSY the PHY generates an IRQ\_4 (CCA\_ED\_DONE) and sets the register bit CCA\_DONE, however no CCA was carried out.

A manual CCA measurement is initiated with setting CCA\_REQUEST = 1. The end of the CCA measurement is indicated by interrupt IRQ\_4 (CCA\_ED\_DONE). Register bits CCA\_DONE and CCA\_STATUS (register 0x01, TRX\_STATUS) are updated after a CCA\_REQUEST. The register bit is automatically cleared after requesting a CCA measurement with CCA\_REQUEST = 1.

• **Bit 6:5 - CCA\_MODE**

The CCA mode can be selected using register bits CCA\_MODE.

**Table 8-24. CCA\_MODE.**

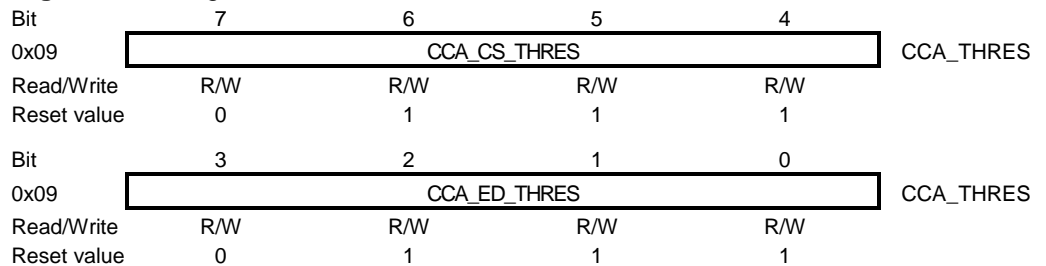
Register Bits	Value	Description
CCA_MODE	0	Mode 3a, Carrier sense OR energy above threshold
	1	Mode 1, Energy above threshold
	2	Mode 2, Carrier sense only
	3	Mode 3b, Carrier sense AND energy above threshold

- Notes:
1. IEEE 802.15.4–2006 CCA mode 3 defines the logical combination of CCA mode 1 and 2 with the logical operators AND or OR.
  2. If register bit CSMA\_LBT\_MODE is set, CCA\_MODE configures the LBT measurement.

**Register 0x09 (CCA\_THRES):**

The CCA\_THRES register sets the CS and ED threshold level for CCA.

**Figure 8-26. Register CCA\_THRES.**



• **Bit 7:4 - CCA\_CS\_THRES**

The register bits CCA\_CS\_THRES are used for CCA carrier sense algorithm.

**Table 8-25. CCA\_CS\_THRES.**

Register Bits	Value	Description
CCA_CS_THRES	0x7	Default value
	0xF	A threshold of 15 always signals an empty channel
		All other values are reserved

- Note:
1. A value of seven (reset value) corresponds to normal CCA\_CS operation. A value of 15 results in always sensing an empty channel if CCA\_MODE = 2 (carrier sense only). This can be useful in combination with TX\_ARET, that is allowing retries with actually performing CSMA-CA.

- **Bit 3:0 - CCA\_ED\_THRES**

An ED value above the threshold signals the channel as busy during a CCA\_ED measurement.

**Table 8-26.** CCA\_ED\_THRES.

Register Bits	Value	Description
CCA_ED_THRES	<u>0x7</u>	For CCA_MODE = 1, a busy channel is indicated if the measured received power is above $P\_THRES [dBm] = RSSI\_BASE\_VAL[dBm] + 2.07[dB] \times CCA\_ED\_THRES$ . CCA modes 0 and 3 are logically related to this result.

Note: 1. If CSMA\_LBT\_MODE is enabled, CCA\_ED\_THRES is used for the LBT measurement.

## 8.7 Listen Before Talk (LBT)

### 8.7.1 Overview

Equipment using the Atmel AT86RF212B shall conform to the established regulations. With respect to the regulations in Europe, CSMA-CA based transmission according to IEEE 802.15.4 is not appropriate. In principle, transmission is subject to low duty cycles (0.1% to 1%). However, according to [6], equipment employing listen before talk (LBT) and adaptive frequency agility (AFA) does not have to comply with duty cycle conditions. Hence, LBT can be attractive in order to reduce network latency.

#### Minimum Listening Time

A device with LBT needs to comply with a minimum listening time, refer to Section 9.1.1.2 of [6]. Prior transmission, the device must listen for a receive signal at or above the LBT threshold level to determine whether the intended channel is available for use, unless transmission is pursuing acknowledgement.

A device using LBT needs to listen for a fixed period of at least 5ms. If the channel is free after this period, transmission may immediately commence (that is no CSMA is required). Otherwise, a new minimum listening period of a randomly selected time span between 5ms and 10ms is required. The time resolution shall be approximately 0.5ms. The last step needs to be repeated until a free channel is available.

#### LBT Threshold

According to [6], the maximum LBT threshold for an IEEE 802.15.4 signal is presumably -82dBm, assuming a channel spacing of 1MHz.

### 8.7.2 LBT Mode

The AT86RF212B supports the previously described LBT specific listening mode when operating in the Extended Operating Mode.

In particular, during TX\_ARET (see [Section 7.2.4](#)), the CSMA-CA algorithm can be replaced by the LBT listening mode when setting register bit CSMA\_LBT\_MODE (register 0x17, XAH\_CTRL\_1). In this case, however, the register bits MAX\_CSMA\_RETRIES (register 0x2C, XAH\_CTRL\_0) as well as register bits MIN\_BE and MAX\_BE (register 0x2F, CSMA\_BE) are ignored, implying that the listening mode will sustain unless a clear channel has been found or the TX\_ARET transaction will be canceled. The latter can be achieved by setting register bits TRX\_CMD (register 0x02, TRX\_STATE) to either FORCE\_PLL\_ON or FORCE\_TRX\_OFF, the value of register bits TRAC\_STATUS is not meaningful in this case. All other aspects of TX\_ARET remain unchanged, refer to [Section 7.2.4](#).

The LBT threshold can be configured in the same way as for CCA, that is via register bits CCA\_MODE (register 0x08, PHY\_CC\_CCA) and register bits CCA\_ED\_THRES (register 0x09, CCA\_THRES), refer to [Section 8.6](#).

### 8.7.3 Register Description

#### Register 0x08 (PHY\_CC\_CCA):

The PHY\_CC\_CCA register is a multi-purpose register that controls CCA configuration, CCA measurement, and the IEEE 802.15.4 channel setting.

**Figure 8-27.** Register PHY\_CC\_CCA.

Bit	7	6	5	4	
0x08	CCA_REQUEST	CCA_MODE		CHANNEL	PHY_CC_CCA
Read/Write	R/W	R/W	R/W	R/W	
Reset value	0	0	1	0	
Bit	3	2	1	0	
0x08	CHANNEL				PHY_CC_CCA
Read/Write	R/W	R/W	R/W	R/W	
Reset value	0	1	0	1	

- **Bit 6:5 - CCA\_MODE**

The CCA mode can be selected using register bits CCA\_MODE.

**Table 8-27.** CCA\_MODE.

Register Bits	Value	Description
CCA_MODE	0	Mode 3a, Carrier sense OR energy above threshold
	1	Mode 1, Energy above threshold
	2	Mode 2, Carrier sense only
	3	Mode 3b, Carrier sense AND energy above threshold

- Notes:
1. IEEE 802.15.4–2006 CCA mode 3 defines the logical combination of CCA mode 1 and 2 with the logical operators AND or OR.
  2. If register bit CSMA\_LBT\_MODE is set, CCA\_MODE configures the LBT measurement.

#### Register 0x09 (CCA\_THRES):

The CCA\_THRES register sets the CS and ED threshold level for CCA.

**Figure 8-28.** Register CCA\_THRES.

Bit	7	6	5	4	
0x09	CCA_CS_THRES				CCA_THRES
Read/Write	R/W	R/W	R/W	R/W	
Reset value	0	1	1	1	
Bit	3	2	1	0	
0x09	CCA_ED_THRES				CCA_THRES
Read/Write	R/W	R/W	R/W	R/W	
Reset value	0	1	1	1	

• **Bit 3:0 - CCA\_ED\_THRES**

An ED value above the threshold signals the channel as busy during a CCA\_ED measurement.

**Table 8-28. CCA\_ED\_THRES.**

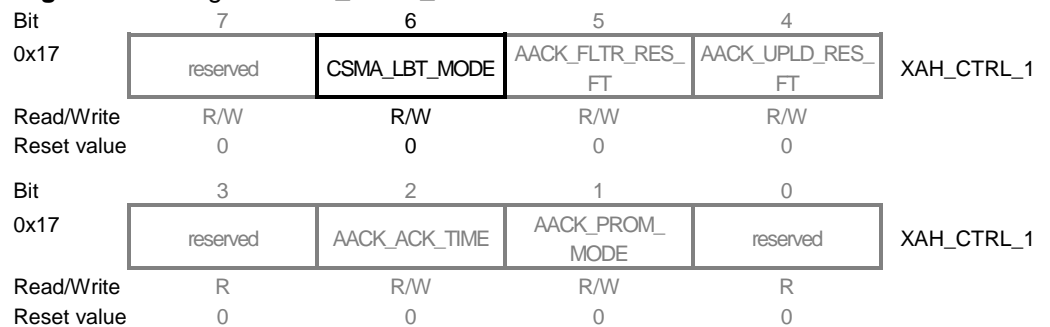
Register Bits	Value	Description
CCA_ED_THRES	<u>0x7</u>	For CCA_MODE = 1, a busy channel is indicated if the measured received power is above P_THRES [dBm] = RSSI_BASE_VAL[dBm] + 2.07[dB] x CCA_ED_THRES. CCA modes 0 and 3 are logically related to this result.

Note: 1. If CSMA\_LBT\_MODE is enabled, CCA\_ED\_THRES is used for the LBT measurement.

**Register 0x17 (XAH\_CTRL\_1):**

The XAH\_CTRL\_1 register is a multi-purpose control register for Extended Operating Mode.

**Figure 8-29. Register XAH\_CTRL\_1.**



• **Bit 6 - CSMA\_LBT\_MODE**

The register bit CSMA\_LBT\_MODE switched between CSMA-CA or Listen Before Talk (LBT) algorithm within TX\_ARET mode.

**Table 8-29. CSMA\_LBT\_MODE.**

Register Bits	Value	Description
CSMA_LBT_MODE	<u>0</u>	CSMA-CA algorithm is used
	1	LBT algorithm is used

If set to zero (default), CSMA-CA algorithm is used during TX\_ARET for clear channel assessment. Otherwise, the LBT specific listening mode is applied.

## 8.8 Link Quality Indication (LQI)

The IEEE 802.15.4 standard defines the LQI as a characterization of the strength and/or quality of a received frame. The use of the LQI result by the network or application layer is not specified in this standard. The LQI value shall be an integer ranging from zero to 255, with at least eight unique values. The minimum and maximum LQI values (0x00 and 0xFF) should be associated with the lowest and highest quality compliant signals, respectively, and LQI values in between should be uniformly distributed between these two limits.

### 8.8.1 Overview

During symbol detection within frame reception, the Atmel AT86RF212B uses correlation results of multiple symbols in order to compute an estimate of the LQI value. This is motivated by the fact that the mean value of the correlation result is inversely related to the probability of a detection error.

LQI computation is automatically performed for each received frame, once the SHR has been detected. LQI values are integers ranging from zero to 255 as required by the IEEE 802.15.4 standard.

### 8.8.2 Obtaining the LQI Value

The LQI value is available, once the corresponding frame has been completely received. This is indicated by the interrupt IRQ\_3 (TRX\_END). The value can be obtained by means of a frame buffer read access, see [Section 6.3.2](#).

### 8.8.3 Data Interpretation

The reason for a low LQI value can be twofold: a low signal strength and/or high signal distortions, for example by interference and/or multipath propagation. High LQI values, however, indicate a sufficient signal strength and low signal distortions.

- Notes:
1. The LQI value is almost always 255 for scenarios with very low signal distortions and a signal strength much greater than the sensitivity level. In this case, the packet error rate tends towards zero and increase of the signal strength, that is by increasing the transmission power, cannot decrease the error rate any further. Received signal strength indication (RSSI) or energy detection (ED) can be used to evaluate the signal strength and the link margin.
  2. The received signal power as indicated by received signal strength indication (RSSI) value or energy detection (ED) value of the Atmel AT86RF212B do not characterize the signal quality and the ability to decode a signal.

ZigBee networks often require identification of the “best” routing between two nodes. LQI and RSSI/ED can be applied, depending on the optimization criteria. If a low frame error rate (corresponding to a high throughput) is the optimization criteria, then the LQI value should be taken into consideration. If, however, the target is a low transmission power, then the RSSI/ED value is also helpful.

Various combinations of LQI and RSSI/ED are possible for routing decisions. As a rule of thumb, information on RSSI/ED is useful in order to differentiate between links with high LQI values. However, transmission links with low LQI values should be discarded for routing decisions, even if the RSSI/ED values are high, since it is merely an information about the received signal strength, whereas the source can be an interferer.

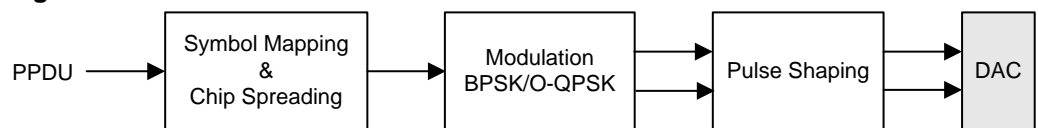
## 9 Module Description

### 9.1 Physical Layer Modes

#### 9.1.1 Spreading, Modulation, and Pulse Shaping

The Atmel AT86RF212B supports various physical layer (PHY) modes independent of the RF channel selection. Symbol mapping along with chip spreading, modulation, and pulse shaping is part of the digital base band processor, see [Figure 9-1](#).

**Figure 9-1.** Base Band Transmitter Architecture.



The combination of spreading, modulation, and pulse shaping are restricted to several combinations as shown in [Table 9-1](#).

The AT86RF212B is fully compliant to the IEEE 802.15.4 low data rate modes of 20kb/s or 40kb/s, employing binary phase-shift keying (BPSK) and spreading with a fixed chip rate of 300kchip/s or 600kchip/s, respectively. The symbol rate is 20ksymbol/s or 40ksymbol/s, respectively. In both cases, pulse shaping is approximating a raised cosine filter with roll-off factor 1.0 (RC-1.0).

For optional data rates according to IEEE 802.15.4-2006, offset quadrature phase-shift keying (O-QPSK) is supported by the AT86RF212B with a fixed chip rate of either 400kchip/s or 1000kchip/s.

At a chip rate of 400kchip/s, there is a choice between two different pulse shaping modes. One pulse shaping uses a combination of both, half-sine shaping (SIN) and raised cosine filtering with roll-off factor 0.2 (RC-0.2) according to IEEE 802.15.4-2006 [2] for the 868.3MHz band. The other, uses raised cosine filtering with roll-off factor 0.2 (RC-0.2).

At a chip rate of 1000kchip/s, pulse shaping is either half-sine filtering (SIN) as specified in IEEE 802.15.4-2006 [2], or, alternatively, raised cosine filtering with roll-off factor 0.8 (RC-0.8) as specified in IEEE 802.15.4c-2009 [3] and IEEE 802.15.4-2011 [4].

For O-QPSK, the AT86RF212B supports spreading according to IEEE 802.15.4-2006 with data rates of either 100kb/s or 250kb/s depending on the chip rate, leading to a symbol rate of either 25ksymbol/s or 62.5ksymbol/s, respectively.

Additionally, the AT86RF212B supports two more spreading codes for O-QPSK with shortened code lengths. This leads to higher but non IEEE 802.15.4 compliant data rates for PSDU transmission at 200, 400, 500, and 1000kb/s. The proprietary High Data Rate Modes are outlined in more detail in [Section 9.1.4](#).

**Table 9-1.** Modulation and Pulse Shaping.

Modulation	Chip Rate [kchip/s]	Supported Data Rate for PPDU Header [kb/s]	Supported Data Rates for PSDU [kb/s]	Pulse Shaping
BPSK	300	20	20	RC-1.0
	600	40	40 <sup>(1)</sup>	RC-1.0
O-QPSK	400	100	100, 200, 400	SIN and RC-0.2
	400	100	100, 200, 400	RC-0.2
	1000	250	250, 500 <sup>(1)</sup> , 1000	SIN
	1000	250	250, 500 <sup>(1)</sup> , 1000	RC-0.8

Note: 1. Support of two different spreading codes.

### 9.1.2 Configuration

The PHY mode can be selected by setting appropriate register bits BPSK\_OQPSK, SUB\_MODE, OQPSK\_DATA\_RATE, and ALT\_SPECTRUM (register 0x0C TRX\_CTRL\_2), refer to [Section 9.1.5](#). During configuration, the transceiver needs to be in TRX\_OFF state.

### 9.1.3 Symbol Period

Within IEEE 802.15.4 and, accordingly, within this document, time references are often specified in units of symbol periods, leading to a PHY mode independent description. [Table 9-2](#) shows the duration of the symbol period.

**Table 9-2.** Duration of the Symbol Period.

Modulation	PSDU Data Rate [kb/s]	Duration of Symbol Period [μs]
BPSK	20	50
	40	25
O-QPSK	100, 200, 400	40
	250, 500, 1000	16

Note: 1. For the proprietary High Data Rate Modes, the symbol period is (by definition) the same as the symbol period of the corresponding base mode.

### 9.1.4 Proprietary High Data Rate Modes

The main features are:

- High data rates up to 1000kb/s
- Support of Basic and Extended Operating Mode
- Reduced ACK timing (optional)

#### 9.1.4.1 Overview

The Atmel AT86RF212B supports alternative data rates of 200, 400, 500, and 1000kb/s for applications not necessarily targeting IEEE 802.15.4 compliant networks.

The High Data Rate Modes utilize the same RF channel bandwidth as the IEEE 802.15.4-2006 sub-1GHz O-QPSK modes. Higher data rates are achieved by using the modified O-QPSK spreading codes having reduced code lengths. The lengths are reduced by the factor of two or by the factor of four.

For O-QPSK with 400kchip/s, this leads to a data rate of 200kb/s (2-fold) and 400kb/s (4-fold), respectively.

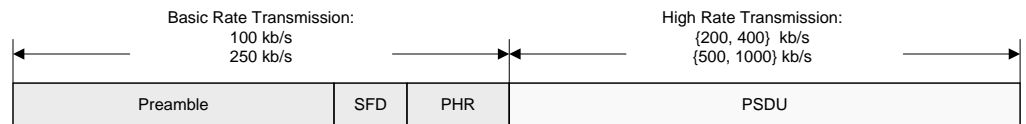
For O-QPSK with 1000kchip/s, the resulting data rate is 500kb/s (2-fold) and 1000kb/s (4-fold), respectively.

Due to the decreased spreading factor, the sensitivity of the receiver is reduced. [Section 12.7](#), parameter  $P_{SENS}$ , shows typical values of the sensitivity for different data rates.

### 9.1.4.2 High Data Rate Frame Structure

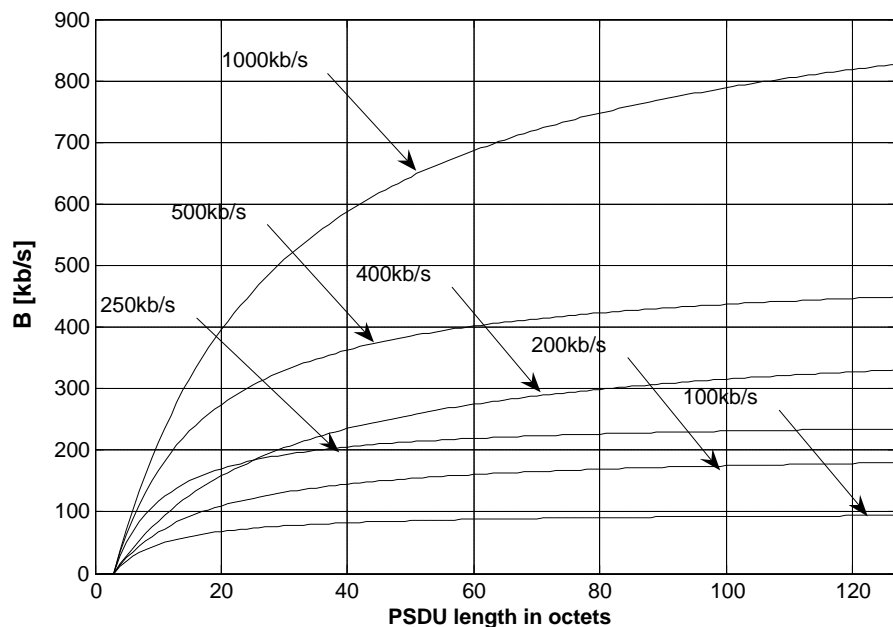
In order to allow robust frame synchronization, the Atmel AT86RF212B high data rate modulation is restricted to the PSDU part only. The PPDU header (the preamble, the SFD, and the PHR field) are transmitted with a rate of either 100kb/s or 250kb/s (basic rates), see [Figure 9-2](#).

**Figure 9-2. High Date Rate Frame Structure.**



Due to the overhead caused by the PPDU header and the FCS, the effective data rate is less than the selected data rate, depending on the length of the PSDU. A graphical representation of the effective data rate is shown in [Figure 9-3](#).

**Figure 9-3. Effective Data Rate “B” for O-QPSK High Data Rate Modes.**



Consequently, high data rate transmission is useful for large PSDU lengths due to the higher effective data rate, or in order to reduce the power consumption of the system.

### 9.1.4.3 High Data Rate Mode Options

#### Reduced Acknowledgment Time

If register bit AACK\_ACK\_TIME (register 0x17, XAH\_CTRL\_1) is set, the acknowledgment time is reduced to the duration of two symbol periods for 200 and 400kb/s data rates, and to three symbol periods for 500 and 1000kb/s data rates, refer to [Table 7-23](#). The reduced acknowledgment time is untouched in IEEE 802.15.4. Otherwise, it defaults to 12 symbol periods according to IEEE 802.15.4.

#### Receiver Sensitivity Control

The different data rates between PPDU header (SHR and PHR) and PHY payload (PSDU) cause a different sensitivity between header and payload. This can be adjusted by defining sensitivity threshold levels of the receiver. With a sensitivity threshold level set, the Atmel AT86RF212B does not synchronize to frames with an RSSI level below that threshold. Refer to [Section 9.2.4](#) for a configuration of the sensitivity threshold with register bits RX\_PDT\_LEVEL (register 0x15, RX\_SYN).

#### Scrambler

For data rates 400kb/s and 1000kb/s, additional chip scrambling is applied per default in order to mitigate data dependent spectral properties. Scrambling can be disabled if register bit OQPSK\_SCRAM\_EN (register 0x0C, TRX\_CTRL\_2) is set to zero.

#### Energy Detection

The ED measurement time span is eight symbol periods according to IEEE 802.15.4. For frames operated at a higher data rate, the automated measurement duration (see [Section 8.5.2](#)) is reduced to two symbol periods taking reduced frame durations into account. This means, the ED measurement time is 80µs for modes 200kb/s and 400kb/s, and 32µs for modes 500kb/s and 1000kb/s. For manually initiated ED measurements in these modes, the measurement time is still eight symbol periods.

#### Carrier Sense

For clear channel assessment, IEEE 802.15.4-2006 specifies several modes which may either apply “energy above threshold” or “carrier sense” (CS) or a combination of both. Since signals of the High Data Rate Modes are not compliant to IEEE 802.15.4-2006, CS is not supported when the AT86RF212B is operating in these modes. However, “energy above threshold” is supported.

#### Link Quality Indicator (LQI)

For the High Data Rate Modes, the link quality value does not contain useful information and should be discarded.

## 9.1.5 Register Description

### Register 0x0C (TRX\_CTRL\_2):

The TRX\_CTRL\_2 register is a multi-purpose control register to control various settings of the radio transceiver.

**Figure 9-4.** Register TRX\_CTRL\_2.

Bit	7	6	5	4	
0x0C	RX_SAFE_MODE	TRX_OFF_AVDD_EN	OQPSK_SCRAM_EN	ALT_SPECTRUM	TRX_CTRL_2
Read/Write	R/W	R/W	R/W	R/W	
Reset value	0	0	1	0	
Bit	3	2	1	0	
0x0C	BPSK_OQPSK	SUB_MODE	OQPSK_DATA_RATE		TRX_CTRL_2
Read/Write	R/W	R/W	R/W	R/W	
Reset value	0	1	0	0	

- **Bit 5 - OQPSK\_SCRAM\_EN**

If register bit OQPSK\_SCRAM\_EN is enabled, an additional chip scrambling for O-QPSK is applied for data rate 400kb/s and 1000kb/s.

**Table 9-3.** OQPSK\_SCRAM\_EN.

Register Bits	Value	Description
OQPSK_SCRAM_EN	0	Scrambler is disabled
	1	Scrambler is enabled

- **Bit 4 - ALT\_SPECTRUM**

The register bit ALT\_SPECTRUM controls an alternative spectrum for different modes.

**Table 9-4.** ALT\_SPECTRUM.

Register Bits	Value	Description
ALT_SPECTRUM	0	The alternative spectrum mode is disabled
	1	The alternative spectrum mode is enabled

**BPSK with 40kb/s:** If set to zero, a chip sequence according to IEEE 802.15.4 is used. If set to one, a modified chip sequence interoperable with IEEE 802.15.4 is used for TX and RX showing different spectrum properties (to ensure FCC 600kHz bandwidth requirement). This might be beneficial when using an external power amplifier and targeting high output power according to FCC 15.247 [5].

**O-QPSK with 400kchip/s:** If set to zero, pulse shaping is a combination of half-sine shaping and RC-0.2 shaping according to IEEE 802.15.4. If set to one, pulse shaping is RC-0.2 shaping. This avoids inter-chip interference which results in a significantly lower EVM, refer to [Section 12.6](#). The peak to average ratio increases by about 1dB.

**O-QPSK with 1000kchip/s:** If set to zero, pulse shaping is half-sine shaping. If set to one, pulse shaping is RC-0.8 shaping. Compared with half-sine shaping, side-lobes are reduced at the expense of an increased peak to average ratio (~1dB); refer to [Figure 9-11](#) and [Figure 9-12](#), respectively. This mode is particularly suitable for the Chinese 780MHz band, refer to IEEE 802.15.4c-2009 [3] or IEEE 802.15.4-2011 [4].

- Notes:
1. The modulation BPSK-40 and modulation BPSK-40-ALT are interoperable together, with some performance degenerations.
  2. During reception, this bit is not evaluated within the Atmel AT86RF212B, so it is not explicitly required to align different transceivers with ALT\_SPECTRUM in order to assure interoperability. It is very likely that this also holds for any IEEE 802.15.4-2006 compliant O-QPSK transceiver in the 915MHz band, since the IEEE 802.15.4-2006 requirements are fulfilled for both types of shaping.

• **Bit 3 - BPSK\_OQPSK**

The register bit BPSK\_OQPSK controls the modulation scheme.

**Table 9-5.** BPSK\_OQPSK.

Register Bits	Value	Description
BPSK_OQPSK	0	BPSK modulation is active
	1	O-QPSK modulation is active

• **Bit 2 - SUB\_MODE**

Mode selection for European/North American/(Chinese) band.

**Table 9-6.** SUB\_MODE.

Register Bits	Value	Description
SUB_MODE	0	BPSK-20, OQPSK-{100,200,400}
	1	BPSK-40, OQPSK-{250,500,1000}

If set to one (reset value), the chip rate is 1000kchip/s for BPSK\_OQPSK = 1 and 600kchip/s for BPSK\_OQPSK = 0. It permits data rates out of {250, 500, 1000}kb/s or 40kb/s, respectively. This mode is particularly suitable for the 915MHz band. For O-QPSK transmission, pulse shaping is either half-sine shaping or RC-0.8 shaping, depending on ALT\_SPECTRUM.

If set to zero, the chip rate is 400kchip/s for BPSK\_OQPSK = 1 and 300kchip/s for BPSK\_OQPSK = 0. It permits data rates out of {100, 200, 400}kb/s or 20kb/s, respectively. This mode is particularly suitable for the 868.3MHz band. For O-QPSK transmission, pulse shaping is always the combination of half-sine shaping and RC-0.2 shaping.

• **Bit 1:0 - OQPSK\_DATA\_RATE**

A write access to these register bits set the O-QPSK PSDU data rate used by the radio transceiver. The reset value OQPSK\_DATA\_RATE = 0 is the PSDU data rate according to IEEE 802.15.4.

**Table 9-7.** OQPSK\_DATA\_RATE.

Register Bits	Value	Description
OQPSK_DATA_RATE	0	SUB_MODE = 0: 100kb/s or SUB_MODE = 1: 250kb/s
	1	SUB_MODE = 0: 200kb/s or SUB_MODE = 1: 500kb/s
	2	SUB_MODE = 0: 400kb/s or SUB_MODE = 1: 1000kb/s
	3	SUB_MODE = 0: Reserved or SUB_MODE = 1: 500kb/s

The Atmel AT86RF212B supports two different modes with an PSDU data rate of 500kb/s. Using OQPSK\_DATA\_RATE = 3 might be beneficial when using an external power amplifier and targeting high output power according to FCC 15.247 [5].

In [Table 9-8](#) all PHY modes supported by the AT86RF212B are summarized with the relevant setting for each bit of register TRX\_CTRL\_2. The “-“ (minus) character means that the bit entry is not relevant for the particular PHY mode.

**Table 9-8.** Register 0x0C (TRX\_CTRL\_2) Bit Alignment.

PHY Mode	Bits of Register 0x0C								Compliance
	7	6	5	4	3	2	1	0	
BPSK-20	-	-	-	0	0	0	0	0	IEEE 802.15.4-2003/2006/2011: channel page 0, channel 0
BPSK-40	-	-	-	0	0	1	0	0	IEEE 802.15.4-2003/2006/2011: channel page 0, channel 1 to 10
BPSK-40-ALT	-	-	-	1	0	1	0	0	Proprietary, alternative spreading code
OQPSK-SIN-RC-100	-	-	-	0	1	0	0	0	IEEE 802.15.4-2006/2011: channel page 2, channel 0
OQPSK-SIN-RC-200	-	-	-	0	1	0	0	1	Proprietary
OQPSK-SIN-RC-400-SCR-ON	-	-	1	0	1	0	1	0	Proprietary, scrambler on
OQPSK-SIN-RC-400-SCR-OFF	-	-	0	0	1	0	1	0	Proprietary, scrambler off
OQPSK-RC-100	-	-	-	1	1	0	0	0	Proprietary
OQPSK-RC-200	-	-	-	1	1	0	0	1	Proprietary
OQPSK-RC-400-SCR-ON	-	-	1	1	1	0	1	0	Proprietary, scrambler on
OQPSK-RC-400-SCR-OFF	-	-	0	1	1	0	1	0	Proprietary, scrambler off
OQPSK-SIN-250	-	-	-	0	1	1	0	0	IEEE 802.15.4-2006/2011: channel page 2, channel 1 to 10
OQPSK-SIN-500	-	-	-	0	1	1	0	1	Proprietary
OQPSK-SIN-500-ALT	-	-	-	0	1	1	1	1	Proprietary, alternative spreading code
OQPSK-SIN-1000-SCR-ON	-	-	1	0	1	1	1	0	Proprietary, scrambler on
OQPSK-SIN-1000-SCR-OFF	-	-	0	0	1	1	1	0	Proprietary, scrambler off
OQPSK-RC-250	-	-	-	1	1	1	0	0	IEEE 802.15.4-2011: channel page 5, channel 0 to 3
OQPSK-RC-500	-	-	-	1	1	1	0	1	Proprietary
OQPSK-RC-500-ALT	-	-	-	1	1	1	1	1	Proprietary, alternative spreading code
OQPSK-RC-1000-SCR-ON	-	-	1	1	1	1	1	0	Proprietary, scrambler on
OQPSK-RC-1000-SCR-OFF	-	-	0	1	1	1	1	0	Proprietary, scrambler off

## 9.2 Receiver (RX)

### 9.2.1 Overview

The Atmel AT86RF212B transceiver is split into an analog radio front-end and a digital domain, see [Figure 4-1](#). Referring to the receiver part of the analog domain, the differential RF signal is amplified by a low noise amplifier (LNA) and split into quadrature signals by a poly-phase filter (PPF). Two mixer circuits convert the quadrature signal down to an intermediate frequency. Channel selectivity is achieved by an integrated band-pass filter (BPF). The subsequent analog-to-digital converter (ADC) samples the receive signal and additionally generates a digital RSSI signal, see [Section 6.4](#). The ADC output is then further processed by the digital baseband receiver (RX BBP), which is part of the digital domain.

The BBP performs further filtering and signal processing. In RX\_ON state, the receiver searches for the synchronization header. Once the synchronization is established and the SFD is found, the received signal is demodulated and provided to the Frame Buffer. Upon synchronization the receiver performs a state change from RX\_ON to BUSY\_RX which is indicated by register bits TRX\_STATUS (register 0x01, TRX\_STATUS). Once the frame is received, the receiver switches back to RX\_ON in the listen mode on the selected channel. A similar scheme applies to the Extended Operating Mode.

The receiver is designed to handle reference oscillator accuracies up to  $\pm 60$ ppm; refer to [Section 12.5](#), parameter  $f_{SRD}$ . This results in the estimation and correction of frequency and symbol rate errors up to  $\pm 120$ ppm.

Several status information are generated during the receive process: LQI, ED, and RX\_STATUS. They are automatically appended during Frame Read Access, refer to [Section 6.3.2](#). Some information is also available through register access, for example ED\_LEVEL (register 0x07, PHY\_ED\_LEVEL) and FCS correctness RX\_CRC\_VALID (register 0x06, PHY\_RSSI).

The Extended Operating Mode of the AT86RF212B supports frame filtering and pending data indication.

### 9.2.2 Frame Receive Procedure

The frame receive procedure, including the radio transceiver setup for reception and reading PSDU data from the Frame Buffer, is described in [Section 10.1](#) Frame Receive Procedure.

### 9.2.3 Configuration

In Basic Operating Mode, the receiver is enabled by writing command RX\_ON to register bits TRX\_CMD (register 0x02, TRX\_STATE) in states TRX\_OFF or PLL\_ON. In Extended Operating Mode, the receiver is enabled for RX\_AACK operation from state PLL\_ON by writing the command RX\_AACK\_ON.

There is no additional configuration required to receive IEEE 802.15.4 compliant frames in Basic Operating Mode. However, the frame reception in the Atmel AT86RF212B Extended Operating Mode requires further register configurations, for details refer to [Section 7.2.2](#).

For specific applications, the receiver can additionally be configured to handle critical environment to simplify the interaction with the microcontroller, or to operate in different data rates.

There are scenarios where CSMA-CA is not used before a transmission or where CSMA-CA is not really reliable, for example in hidden node scenarios. As two transceivers compete for the use of one channel they may interfere with each other which may produce unreliable transmission. Receiver Override can be used to cope with such scenarios. The level of interference (which can be caused by a new incoming frame) is continuously measured while decoding a frame. The synchronization to the potential new frame starts if the interference level does not allow for a reliable detection.

The Atmel AT86RF212B receiver has an outstanding sensitivity performance. At certain environmental conditions or for High Data Rate Modes, refer to [Section 9.1.4](#), it may be useful to manually decrease this sensitivity. This is achieved by adjusting the synchronization header detector threshold using register bits RX\_PDT\_LEVEL (register 0x15, RX\_SYN). Received signals with a RSSI value below the threshold do not activate the demodulation process.

Furthermore, at times it may be useful to protect a received frame against overwriting by a new subsequent data frame, when the receive data buffer has not been read on time. A Dynamic Frame Buffer Protection is enabled with register bit RX\_SAFE\_MODE (register 0x0C, TRX\_CTRL\_2) set, see [Section 11.7](#). The receiver remains in RX\_ON or RX\_AACK\_ON state until the whole frame is uploaded by the microcontroller, indicated by pin 23 (/SEL) = H during the SPI Frame Receive Mode. The Frame Buffer content is only protected if the FCS is valid.

A Static Frame Buffer Protection is enabled with register bit RX\_PDT\_DIS (register 0x15, RX\_SYN) set. The receiver remains in RX\_ON or RX\_AACK\_ON state and no further SHR is detected until the register bit RX\_PDT\_DIS is set back.

## 9.2.4 Register Description

### Register 0x15 (RX\_SYN):

The register RX\_SYN controls parameters related to the synchronization unit of the receiver.

**Figure 9-5.** Register RX\_SYN.

Bit	7	6	5	4	
0x15	RX_PDT_DIS		RX_OVERRIDE		RX_SYN
Read/Write	R/W	R/W	R/W	R/W	
Reset value	0	0	0	0	
Bit	3	2	1	0	
0x15	RX_PDT_LEVEL				RX_SYN
Read/Write	R/W	R/W	R/W	R/W	
Reset value	0	0	0	0	

- **Bit 7 - RX\_PDT\_DIS**

The register bit RX\_PDT\_DIS prevents the reception of a frame during RX phase.

**Table 9-9.** RX\_PDT\_DIS.

Register Bits	Value	Description
RX_PDT_DIS	0	RX path is enabled
	1	RX path is disabled

RX\_PDT\_DIS = 1 prevents the reception of a frame even if the radio transceiver is in receive modes. An ongoing frame reception is not affected. This operation mode is independent of the setting of register bits RX\_PDT\_LEVEL.

• **Bit 6:4 - RX\_OVERRIDE**

The register bits RX\_OVERRIDE control the RXO functions during RX phase. During the receive process the validity of the current frame and the occurrence of a strong interferer is checked continuously. In either of those cases the reception is automatically restarted to increase the overall system availability and throughput with respect to correct received packets.

**Table 9-10. RX\_OVERRIDE.**

Register Bits	Value	Description
RX_OVERRIDE	0 <sup>(1)</sup>	All RX override functions are disabled (default)
	6 <sup>(2)</sup>	IPAN scanning is enabled, 9dB Energy Detection (ED) check is enabled, Link Quality (LQ) check is enabled
		All other values are reserved

- Notes:
1. Frames are decoded up to the length specified in the PHR field, independent of any interference while receiving this frame.
  2. Detection of strong interference while receiving a frame (where the frame is destroyed anyway) and fast re-synchronization to a potential new frame.
  3. There is no TRX\_END interrupt for an ongoing frame reception when re-synchronization is forced by strong interference.

The Receiver Override can be used without performance degradation in combination with any modulation scheme and data rate.

• **Bit 3:0 - RX\_PDT\_LEVEL**

The register bits RX\_PDT\_LEVEL desensitize the receiver in steps of 3.1dB.

**Table 9-11. RX\_PDT\_LEVEL.**

Register Bits	Value	Description
RX_PDT_LEVEL	0x00	Maximum RX sensitivity
	0x0F	RX input level > RSSI_BASE_VAL + 3.1[dB] x 14

These register bits desensitize the receiver such that frames with an RSSI level below the RX\_PDT\_LEVEL threshold level (if RX\_PDT\_LEVEL > 0) are not received. For a RX\_PDT\_LEVEL > 0 value the threshold level can be calculated according to the following formula:

$$P_{RF}[dBm] > RSSI_{BASE\_VAL}[dBm] + 3.1[dB] \times (RX\_PDT\_LEVEL - 1).$$

The  $RSSI_{BASE\_VAL}$  is described in [Section 8.4.3](#).

If register bits RX\_PDT\_LEVEL = 0 (reset value) all frames with a valid SHR and PHR are received, independently of their signal strength.

If register bits RX\_PDT\_LEVEL > 0, the current consumption of the receiver in all RX listening states is reduced by 500µA, refer to parameter  $I_{RX\_ON}$  in [Section 12.8](#).

## 9.3 Transmitter (TX)

### 9.3.1 Overview

The Atmel AT86RF212B transmitter utilizes a direct up-conversion topology. The digital transmitter (TX BBP) generates the in-phase (I) and quadrature (Q) component of the modulation signal. A digital-to-analog converter (DAC) forms the analog modulation signal. A quadrature mixer pair converts the analog modulation signal to the RF domain. The power amplifier (PA) provides signal power delivered to the differential antenna pins (RFP, RFN). Both, the LNA of the receiver input and the PA of the transmitter output are internally connected to the bidirectional differential antenna pins so that no external antenna switch is needed.

Using the default settings, the PA incorporates an equalizer to improve its linearity. The enhanced linearity keeps the spectral side lobes of the transmit spectrum low in order to meet the requirements of the European 868.3MHz band.

If the PA boost mode is turned on, the equalizer is disabled. This allows to deliver a higher transmit power of up to +11dBm at the cost of higher spectral side lobes and higher harmonic power.

In Basic Operating Mode, a transmission is started from PLL\_ON state by either writing TX\_START to register bits TRX\_CMD (register 0x02, TRX\_STATE) or by a rising edge of pin 11 (SLP\_TR).

In Extended Operating Modes, a transmission might be started automatically depending on the transaction phase of either RX\_AACK or TX\_ARET, refer to [Section 7.2](#).

### 9.3.2 Frame Transmit Procedure

The frame transmit procedure, including writing PSDU data into the Frame Buffer and initiating a transmission, is described in [Section 10.2](#).

### 9.3.3 Spectrum Masks

The AT86RF212B can be operated in different frequency bands, using different power levels, modulation schemes, chip rates, and pulse shaping filters. The occupied bandwidth of the transmit signal depends on the chosen mode of operation. Values listed in [Table 9-12](#) are based on a default power setting of +5dBm and usage of the Continuous Transmission Test Mode with Frame Buffer content {0x01, 0x00}, refer to [Appendix A – Continuous Transmission Test Mode](#) on page 203.

Knowledge of modulation bandwidth, power spectrum, and side lobes is essential for proper system setup that produces non-overlapping channel spacing.

**Table 9-12.** Physical Layer Mode and Occupied Bandwidth.

PHY Mode	99% Occupied Bandwidth [kHz]	6dB Bandwidth [kHz]	20dB Bandwidth [kHz]
Reference Detector Span RBW VBW Sweep	ETSI EN 300 220 [6] RMS 2 MHz 100 kHz 1 MHz 500 ms	FCC 15.247 [5] Peak/MaxHold 2 MHz 5 % of bandwidth 3 x RBW AUTO	FCC 15.247 [5] Peak/MaxHold 2 MHz 1% of bandwidth 3 x RBW AUTO
BPSK-20	445	295	430
BPSK-40	775	570	850
BPSK-40-ALT	805	620	815
OQPSK-SIN-RC-100	450	260	340
OQPSK -RC-100	490	355	365
OQPSK-SIN-250	1190	645	1210
OQPSK-RC-250	1245	850	1220

Figure 9-6 to Figure 9-12 show power spectra for different modes listed in Table 9-12. The spectra were captured using default settings of Atmel AT86RF212B. The resolution bandwidth of the spectrum analyzer was set to 30kHz; the video bandwidth was set to 10kHz. For the OQPSK-SIN-250 modulation and OQPSK-RC-250 modulation the resolution bandwidth of the spectrum analyzer was set to 100kHz; the video bandwidth was set to 30kHz.

**Figure 9-6.** Spectrum of BPSK-20.

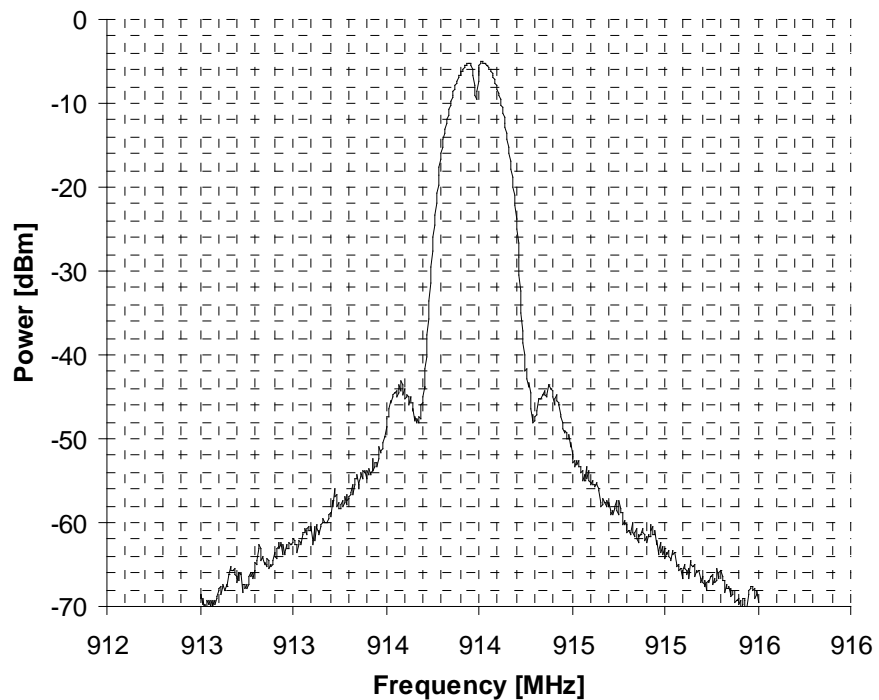


Figure 9-7. Spectrum of BPSK-40.

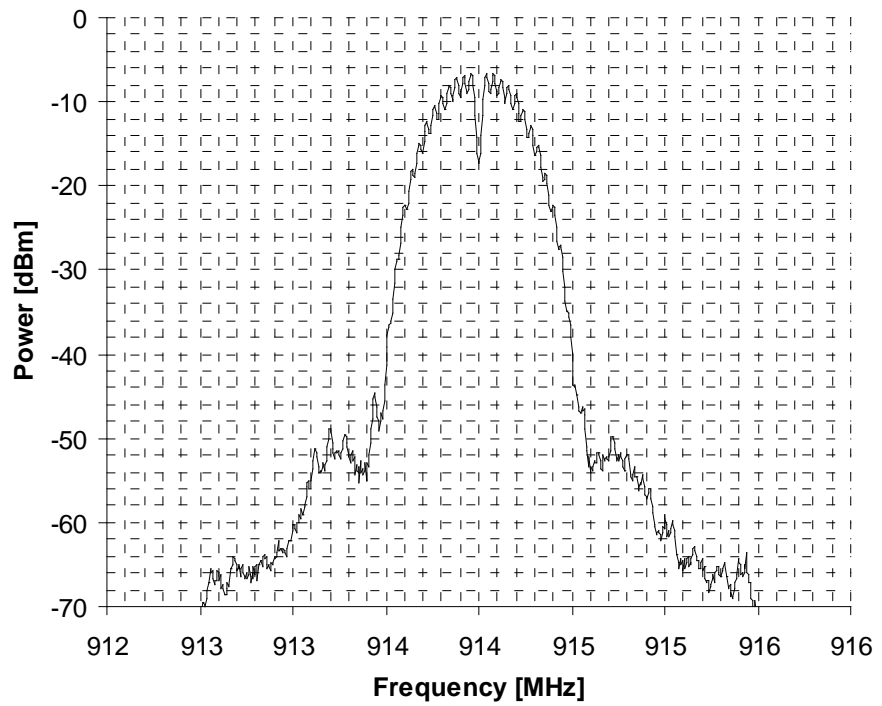


Figure 9-8. Spectrum of BPSK-40-ALT.

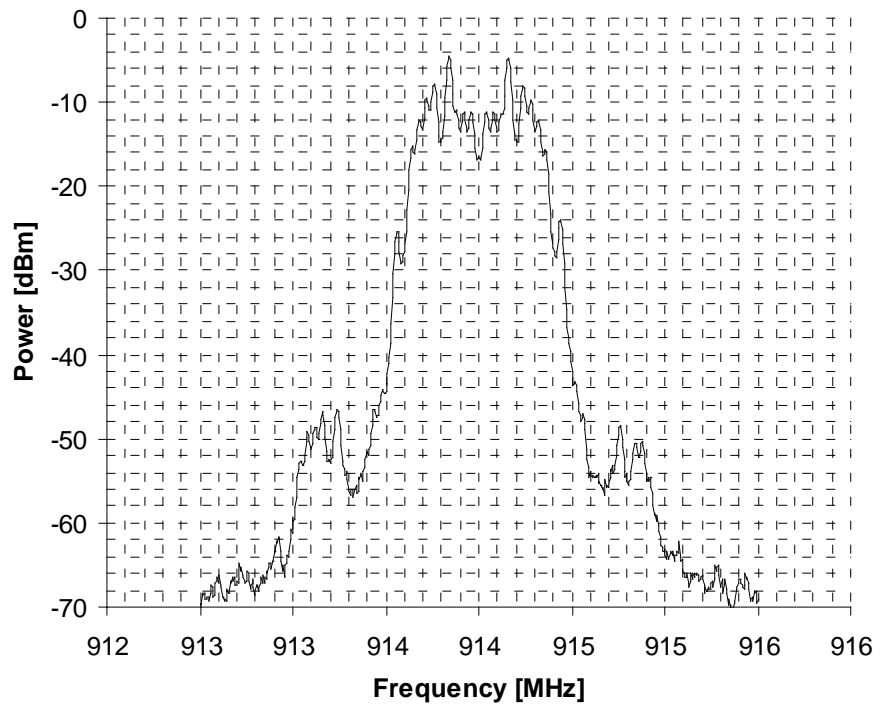


Figure 9-9. Spectrum of OQPSK-SIN-RC-100.

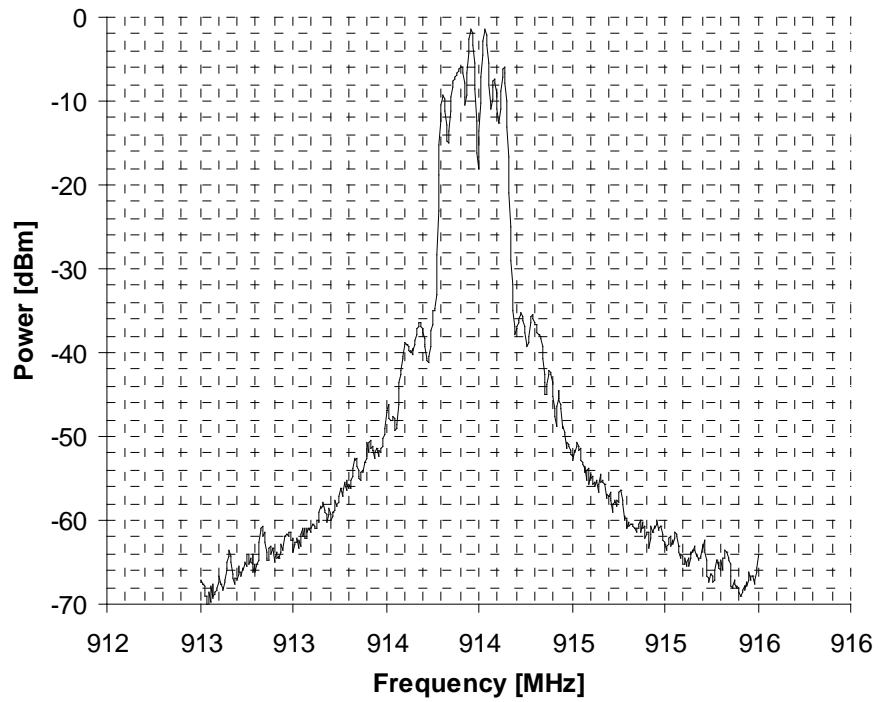


Figure 9-10. Spectrum of OQPSK-RC-100.

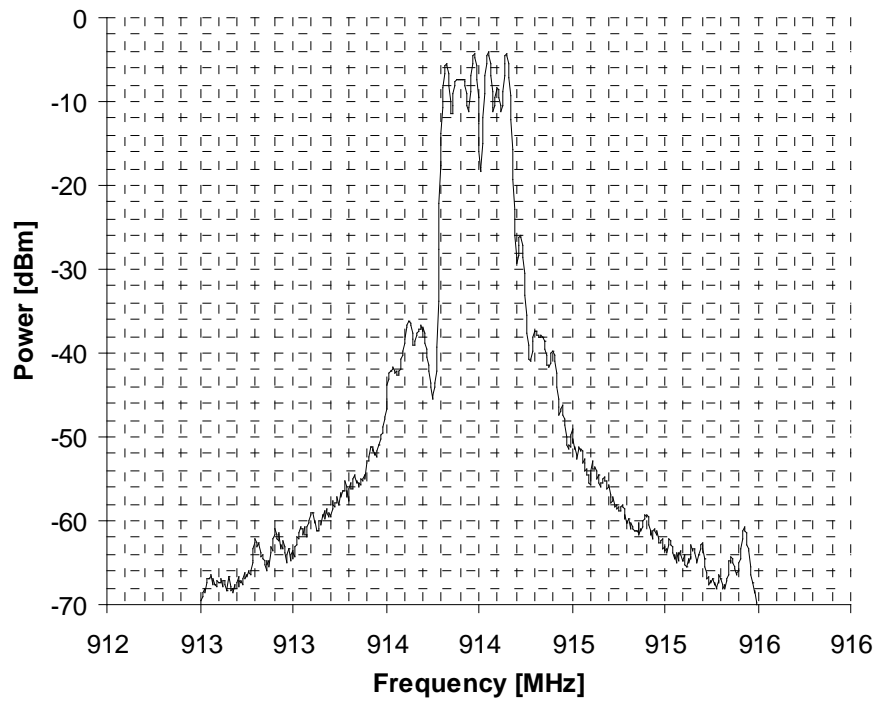


Figure 9-11. Spectrum of OQPSK-SIN-250.

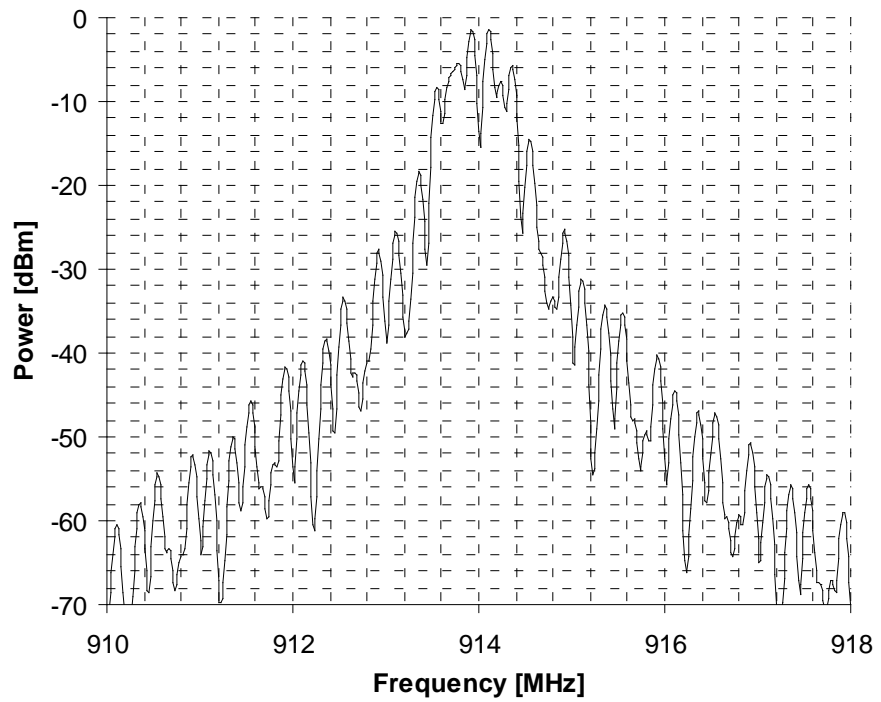


Figure 9-12. Spectrum of OQPSK-RC-250.

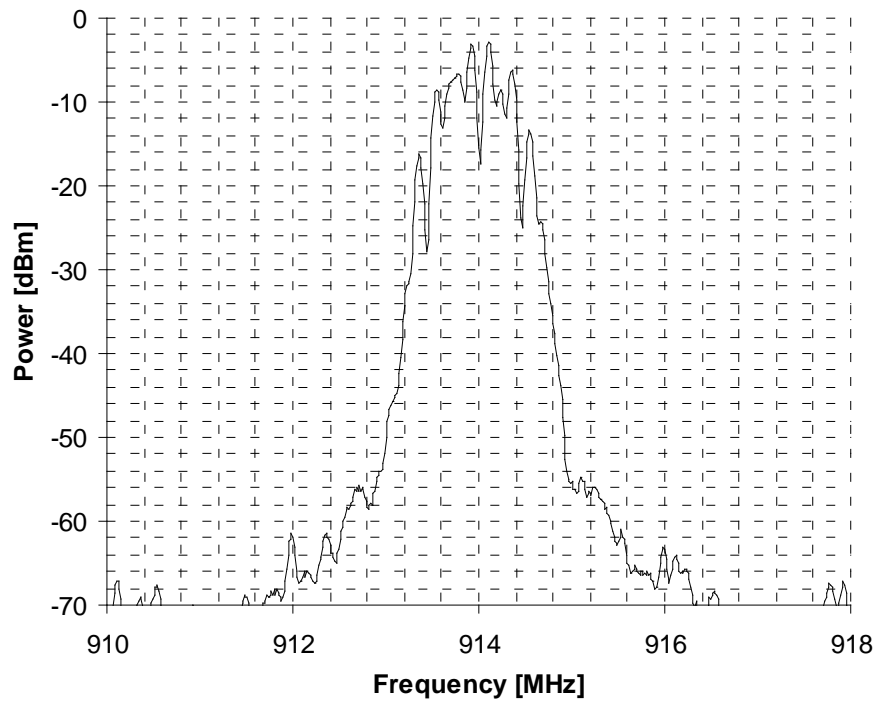


Figure 9-6 to Figure 9-12 illustrate typical spectra of the transmitted signals of the Atmel AT86RF212B and do not claim any limits.

Refer to the local authority bodies (FCC, ETSI, etc.) for further details about definition of power spectral density masks, definition of spurious emission, allowed modulation bandwidth, transmit power, and its limits.

### 9.3.4 TX Output Power

The maximum output power of the transmitter is typically +5dBm in normal mode and +11dBm in boost mode. The TX output power can be set via register bits TX\_PWR (register 0x05, PHY\_TX\_PWR). The output power of the transmitter can be controlled down to -25dBm with 1dB resolution.

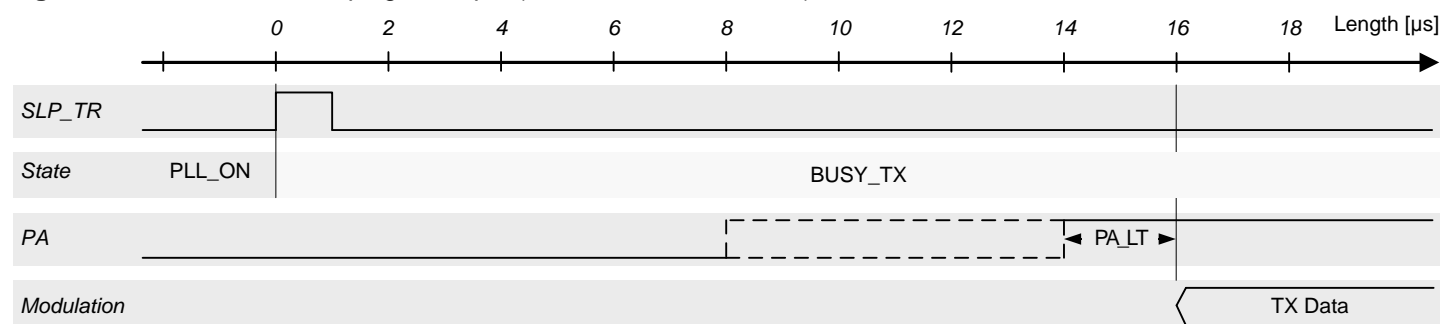
To meet the spectral requirements of the European and Chinese bands, it is necessary to limit the TX power by appropriate setting of register bits TX\_PWR, GC\_PA (register 0x05, PHY\_TX\_PWR), and GC\_TX\_OFFS (register 0x16, RF\_CTRL\_0). See Table 9-15 and Table 9-18. for recommended values.

### 9.3.5 TX Power Ramping

To optimize the output power spectral density (PSD), individual transmitter blocks are enabled sequentially. A transmit action is started by either the rising edge of pin 11 (SLP\_TR) or by writing TX\_START command to register bits TRX\_CMD (register 0x02, TRX\_STATE). One symbol period later the data transmission begins. During this time period, the PLL settles to the frequency used for transmission. The PA is enabled prior to the data transmission start. This PA lead time can be adjusted with the register bits PA\_LT (register 0x16, RF\_CTRL\_0). The PA is always enabled at the lowest gain value corresponding to GC\_PA = 0. Then the PA gain is increased automatically to the value set by GC\_PA (register 0x05, PHY\_TX\_PWR). After transmission is completed, TX power ramping down is performed in an inverse order.

The control signals associated with TX power ramping are shown in Figure 9-13. In this example, the transmission is initiated with the rising edge of pin 11 (SLP\_TR). The radio transceiver state changes from PLL\_ON to BUSY\_TX.

**Figure 9-13.** TX Power Ramping Example (O-QPSK 250kb/s Mode).



Using an external RF front-end (refer to Section 11.4), it may be required to adjust the startup time of the external PA relative to the internal building blocks to optimize the overall PSD. This can be achieved using register bits PA\_LT (register 0x16, RF\_CTRL\_0).

## 9.3.6 Register Description

### Register 0x05 (PHY\_TX\_PWR):

The PHY\_TX\_PWR register controls the output power of the transmitter.

**Figure 9-14.** Register PHY\_TX\_PWR.

Bit	7	6	5	4	
0x05	PA_BOOST	GC_PA		TX_PWR	PHY_TX_PWR
Read/Write	R/W	R/W	R/W	R/W	
Reset value	0	1	1	0	
Bit	3	2	1	0	
0x05	TX_PWR				PHY_TX_PWR
Read/Write	R/W	R/W	R/W	R/W	
Reset value	0	0	0	0	

- **Bit 7 - PA\_BOOST**

The register bit PA\_BOOST increases transmit gain by 5dB.

**Table 9-13.** PA\_BOOST.

Register Bits	Value	Description
PA_BOOST	0	PA boost mode is disabled
	1	PA boost mode is enabled

This register bit enables the PA boost mode where the TX output power is increased by approximately 5dB when PA\_BOOST = 1. In PA boost mode, the PA linearity is decreased compared to the normal mode when PA\_BOOST = 0. This leads to higher spectral side lobes of the TX power spectrum and higher power of the harmonics. Consequently, the higher TX power settings do not fulfill the regulatory requirements of the European 868.3MHz band regarding spurious emissions in adjacent frequency bands (see ETSI EN 300 220-1, ERC/REC 70-03, and ERC/DEC/(01)04).

- **Bit 6:5 - GC\_PA**

The register bits GC\_PA control the PA gain.

**Table 9-14.** GC\_PA.

Register Bits	Value	Description
GC_PA	0	-2.9dB
	1	-1.3dB
	2	-0.9dB
	3	0dB

These register bits control the gain of the PA by changing its bias current. GC\_PA needs to be set in TRX\_OFF mode only. It can be used to reduce the supply current in TX mode when a reduced TX power is selected with the TX\_PWR control word. A reduced PA bias current causes lower RF gain and lowers the 1dB compression point of the PA. Hence, it is advisable to use a reduced bias current of the PA only in combination with lower values of TX\_PWR. A reasonable combination of register bits TX\_PWR and GC\_PA is shown in [Table 9-15](#).

• **Bit 4:0 – TX\_PWR**

The register bits TX\_PWR determine the TX output power of the radio transceiver.

These register bits control the transmitter output power measured at pins RFP/RFN. The value of TX\_PWR describes the power reduction relative to the maximum output power. The resolution is 1dB per step. Since TX\_PWR adjusts the gain in the TX path prior to the PA, the PA bias setting is not optimal for increased values of TX\_PWR regarding PA efficiency.

The PA power efficiency can be improved when PA bias is reduced (decreased GC\_PA value) along with the TX power setting (increased TX\_PWR value). A recommended combination of TX power control (TX\_PWR), PA bias control (GC\_PA), and PA boost mode (PA\_BOOST) is listed in Table 9-15. It is a recommended mapping of intended TX power to the 8-bit word in register 0x05 (PHY\_TX\_PWR).

**Table 9-15.** Recommended Mapping of TX Power, Frequency Band, and PHY\_TX\_PWR (register 0x05).

TX Power [dBm]	PHY_TX_PWR (register 0x05)					
	915MHz North American Band		868.3MHz European Band		780MHz Chinese Band	
	PHY Modes: BPSK-40 (GC_TX_OFFS=3), BPSK-40-ALT (GC_TX_OFFS=3), OQPSK-SIN- {250,500,1000} (GC_TX_OFFS=2)		PHY Modes: BPSK-20 (GC_TX_OFFS=3), OQPSK-SIN-RC- {100,200,400} (GC_TX_OFFS=2) OQPSK-RC- {100,200,400} (GC_TX_OFFS=3)		PHY Modes: OQPSK-RC- {250,500,1000} (GC_TX_OFFS=2)	
11	0xC0		0xA0		0xC1	Note 1
10	0xC1		0x80		0xE3	
9	0x80		0xE4		0xE4	
8	0x82		0xE6		0xC5	
7	0x83		0xE7		0xE7	
6	0x84		0xE8		0xE8	
5	0x40		0xE9		0xE9	
4	0x86		0xEA		0xEA	Note 2
3	0x00		0xCB		0xCB	
2	0x01		0xCC		0xCC	
1	0x02		0xCD		0xCD	
0	0x03		0xAD		0xCE	
-1	0x04		0x47		0xCF	
-2	0x27		0x48		0xAF	
-3	0x05		0x49		0x26	
-4	0x07		0x29		0x27	

PHY_TX_PWR (register 0x05)					
-5	0x08		0x90		0x28
-6	0x91		0x91		0x29
-7	0x09		0x93		0x07
-8	0x0B		0x94		0x08
-9	0x0C		0x2F		0x09
-10	0x0D		0x30		0x0A
-11	0x0E		0x31		0x0B
-12	0x0F		0x0F		0x0C
-13	0x10		0x10		0x0D
-14	0x11		0x11		0x0E
-15	0x12		0x12		0x0F
-16	0x13		0x13		0x10
-17	0x14		0x14		0x11
-18	0x15		0x15		0x13
-19	0x16		0x17		0x14
-20	0x17		0x18		0x15
-21	0x19		0x19		0x16
-22	0x1A		0x1A		0x17
-23	0x1B		0x1B		0x18
-24	0x1C		0x1C		0x19
-25	0x1D		0x1D		0x1A

- Notes:
1. Spectral side lobes remain < -54dBm / 100kHz measured with an RMS detector outside  $F_c \pm 3\text{MHz}$ . Power settings may be used at channel 1 and 2 according to IEEE802.15.4c.
  2. Spectral side lobes remain < -54dBm / 100kHz measured with an RMS detector outside  $F_c \pm 1\text{MHz}$ . Power settings may be used at channel 0 and 3 according to IEEE802.15.4c.

Values of [Table 9-15](#) are based on a mode dependent setting of register bits GC\_TX\_OFFS (register 0x16, RF\_CTRL\_0) which is shown in [Table 9-18](#).

### Register 0x16 (RF\_CTRL\_0):

The register RF\_CTRL\_0 contains control settings to configure the transmit path.

**Figure 9-15.** Register RF\_CTRL\_0.

Bit	7	6	5	4	
0x16	PA_LT		reserved		RF_CTRL_0
Read/Write	R/W	R/W	R/W	R/W	
Reset value	0	0	1	1	
Bit	3	2	1	0	
0x16	reserved		GC_TX_OFFS		RF_CTRL_0
Read/Write	R/W	R/W	R/W	R/W	
Reset value	0	0	0	1	

- **Bit 7:6 - PA\_LT**

The register bits PA\_LT control lead time of the PA (relative to first chip of TX data).

**Table 9-16.** PA\_LT.

Register Bits	Value	Description
PA_LT	0	2 $\mu$ s
	1	4 $\mu$ s
	2	6 $\mu$ s
	3	8 $\mu$ s

These register bits control the lead time of the PA enable signal relative to the TX data start, see [Figure 9-13](#). This allows to enable the PA 2, 4, 6, or 8 $\mu$ s before the transmit signal starts. The PA enable signal can also be output at differential pin pair DIG3/DIG4 to provide a control signal for an external RF front-end; for details, refer to [Section 11.4](#).

- **Bit 1:0 - GC\_TX\_OFFS**

The register bits GC\_TX\_OFFS control the TX power offset.

**Table 9-17.** GC\_TX\_OFFS.

Register Bits	Value	Description
GC_TX_OFFS	1	0dB
	2	+1dB
	3	+2dB
		All other values are reserved

These register bits provide an offset between the TX power control word TX\_PWR (register 0x05, PHY\_TX\_PWR) and the actual TX power. This 2-bit word is added to the TX power control word before it is applied to the circuit block which adjusts the TX power. It can be used to compensate differences of the average TX power depending of the modulation format, see [Table 9-18](#).

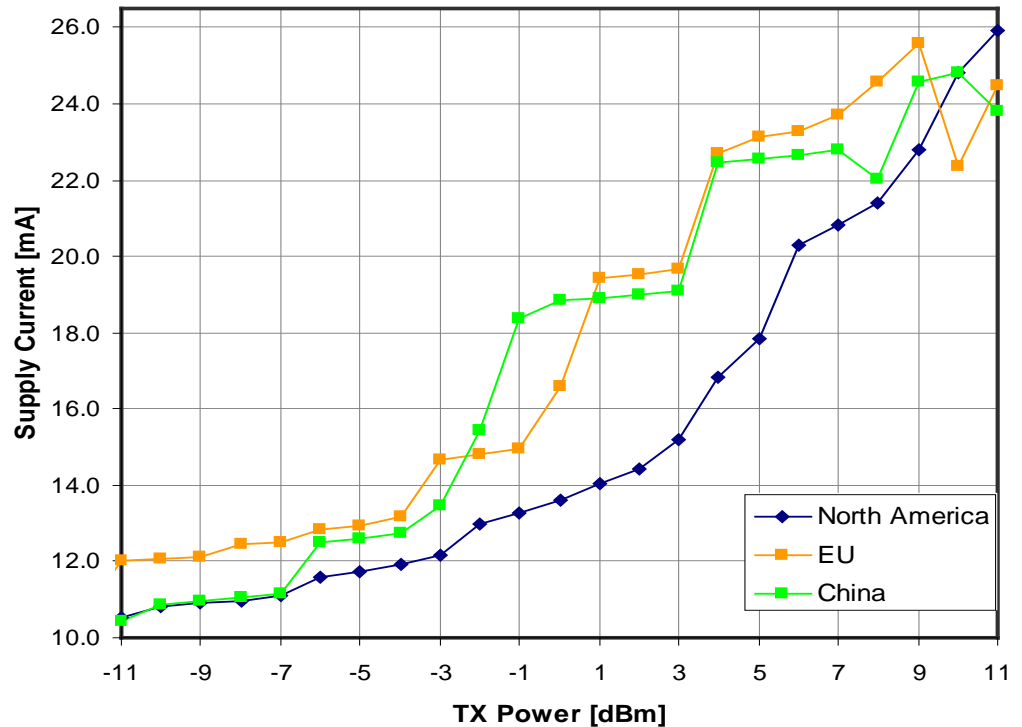
**Table 9-18.** Mode-dependent setting of GC\_TX\_OFFS.

Mode	BPSK	O-QPSK
GC_TX_OFFS	3	2

Exception for OQPSK-RC- $\{100,200,400\}$ , see [Table 9-15](#).

Figure 9-16 shows supply currents for O-QPSK modulation based on Table 9-15.

**Figure 9-16.** Supply Currents for O-QPSK Modulation depending on TX Power Setting (according to Table 9-15).



The North American mapping table is optimized for lowest supply current. The more relaxed spectral side lobe requirements of the IEEE 802.15.4 standard are fulfilled.

The European mapping tables take into account that linearity is needed to keep the out-of-band spurious emissions below the ETSI requirements, refer to [6]. Regulatory requirements with respect to power density (depending on the frequency band used) are not considered, refer to [7].

The European mapping takes more supply current than the North American map and uses the normal (linearized) PA mode to provide medium output power up to 3dBm for OQPSK-SIN-RC-{100/200/400} modes and 6dBm for BPSK-20 mode.

The Chinese mapping uses the boost mode to provide higher TX power levels at the expense of higher supply current. As a result, the maximum TX power is 11dBm for OQPSK-RC-{250/500} modes.

Due to great regional distinctions of regulatory requirements, it is not possible to cover all restrictions in this datasheet. Manufactures must take the responsibility to check measurement results against the latest regulations of nations into which they market.

## 9.4 Frame Buffer

The Atmel AT86RF212B contains a 128 byte dual port SRAM. One port is connected to the SPI interface, the other one to the internal transmitter and receiver modules. For data communication, both ports are independent and simultaneously accessible.

The Frame Buffer utilizes the SRAM address space 0x00 to 0x7F for RX and TX operation of the radio transceiver and can keep a single IEEE 802.15.4 RX or a single TX frame of maximum length at a time.

Frame Buffer access modes are described in [Section 6.3.2](#). Frame Buffer access conflicts are indicated by an underrun interrupt IRQ\_6 (TRX\_UR).

- Note:
1. The IRQ\_6 (TRX\_UR) interrupt also occurs on the attempt to write frames longer than 127 octets to the Frame Buffer (overflow). In that case the content of the Frame Buffer cannot be guaranteed.

Frame Buffer access is only possible if the digital voltage regulator (DVREG) is turned on. This is valid in all device states except in SLEEP state. An access in P\_ON state is possible if pin 17 (CLKM) provides the 1MHz master clock.

### 9.4.1 Data Management

Data in Frame Buffer (received data or data to be transmitted) remains valid as long as:

- No new frame or other data are written into the buffer over SPI
- No new frame is received (in any BUSY\_RX state)
- No state change into SLEEP state is made
- No RESET took place

By default, there is no protection of the Frame Buffer against overwriting. Therefore, if a frame is received during Frame Buffer read access of a previously received frame, interrupt IRQ\_6 (TRX\_UR) is issued and the stored data might be overwritten.

Even so, the old frame data can be read, if the SPI data rate is higher than the effective over air data rate. For a data rate of 250kb/s, a minimum SPI clock rate of 1MHz is recommended. Finally, the microcontroller should check the transferred frame data integrity by an FCS check.

To protect the Frame Buffer content against being overwritten by newly incoming frames, the radio transceiver state should be changed to PLL\_ON state after reception. This can be achieved by writing immediately the command PLL\_ON to register bits TRX\_CMD (register 0x02, TRX\_STATE) after receiving the frame, indicated by IRQ\_3 (TRX\_END). Alternatively, Dynamic Frame Buffer Protection can be used to protect received frames against overwriting; for details, refer to [Section 11.7](#). Both procedures do not protect the Frame Buffer from overwriting by the microcontroller.

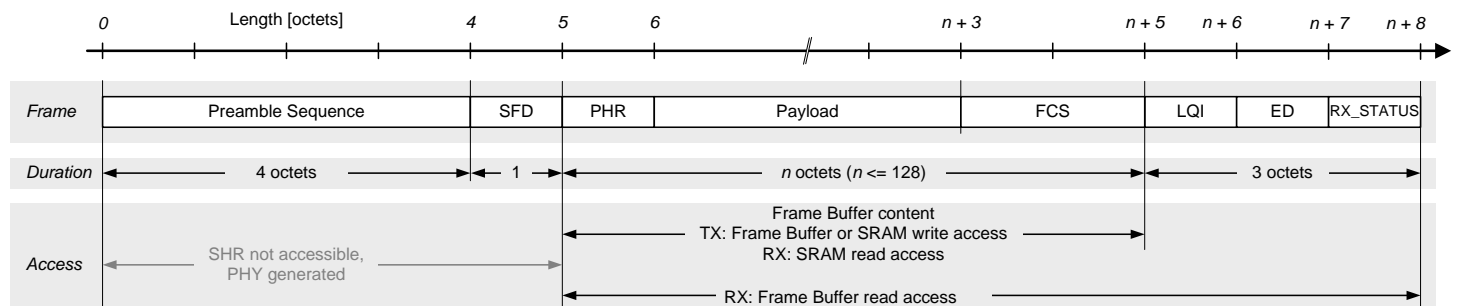
In Extended Operating Mode during TX\_ARET operation (see [Section 7.2.4](#)), the radio transceiver switches to receive state if an acknowledgement of a previously transmitted frame was requested. During this period, received frames are evaluated but not stored in the Frame Buffer. This allows the radio transceiver to wait for an acknowledgement frame and retry the frame transmission without writing the frame again.

A radio transceiver state change, except a transition to SLEEP state or a reset, does not affect the Frame Buffer content. If the radio transceiver is taken into SLEEP, the Frame Buffer is powered off and the stored data get lost.

## 9.4.2 User accessible Frame Content

The Atmel AT86RF212B supports an IEEE 802.15.4 compliant frame format as shown in [Figure 9-17](#).

**Figure 9-17.** AT86RF212B Frame Structure.



A frame comprises two sections, the radio transceiver internally generated SHR field and the user accessible part stored in the Frame Buffer. The SHR contains the preamble and the SFD field. The variable frame section contains the PHR and the PSDU including the FCS, see [Section 8.3](#).

To access the data, follow the procedures described in [Section 6.3.2](#).

The frame length information (PHR field) and the PSDU are stored in the Frame Buffer. During frame reception, the link quality indicator (LQI) value, the energy detection (ED) value, and the status information (RX\_STATUS) of a received frame are additionally stored, see [Section 8.8](#), [Section 8.5](#), and [Section 6.3.2](#), respectively. The radio transceiver appends these values to the frame data during Frame Buffer read access.

If the SRAM read access is used to read an RX frame, the frame length field (PHR) can be accessed at address zero. The SHR (except the SFD value used to generate the SHR) cannot be read by the microcontroller.

For frame transmission, the PHR and the PSDU needs to be stored in the Frame Buffer. The maximum Frame Buffer size supported by the radio transceiver is 128 bytes. If the register bit TX\_AUTO\_CRC\_ON is set in register 0x04 (TRX\_CTRL\_1), the FCS field of the PSDU is replaced by the automatically calculated FCS during frame transmission.

To manipulate individual bytes of the Frame Buffer a SRAM write access can be used instead.

For non IEEE 802.15.4 compliant frames, the minimum frame length supported by the radio transceiver is one byte (Frame Length Field + one byte of data).

## 9.4.3 Interrupt Handling

Access conflicts may occur when reading and writing data simultaneously at the two independent ports of the Frame Buffer, TX/RX BBP and SPI. These ports have their own address counter that points to the Frame Buffer's current address.

Access violations may cause data corruption and are indicated by IRQ\_6 (TRX\_UR) interrupt when using the Frame Buffer access mode. Note that access violations are not indicated when using the SRAM access mode.

While receiving a frame, first the data need to be stored in the Frame Buffer before reading it. This can be ensured by accessing the Frame Buffer at least eight symbols (BPSK) or two symbols (O-QPSK) after interrupt IRQ\_2 (RX\_START). When reading the frame data continuously, the SPI data rate shall be lower than the current TRX bit rate to ensure no underrun interrupt occurs. To avoid access conflicts and to simplify the Frame Buffer read access, Frame Buffer Empty indication may be used; for details, refer to [Section 11.6](#).

When writing data to the Frame Buffer during frame transmission, the SPI data rate shall be higher than the PHY data rate avoiding underrun. The first byte of the PSDU data must be available in the Frame Buffer before SFD transmission is complete, which takes 41 symbol periods for BPSK (one symbol PA ramp up + 40 symbols SHR) and 11 symbol periods for O-QPSK (one symbol PA ramp up + 10 symbols SHR) from the rising edge of pin 11 (SLP\_TR) (see [Figure 7-2](#)).

- Notes:
1. Interrupt IRQ\_6 (TRX\_UR) is valid two octets after IRQ\_2 (RX\_START).
  2. If a Frame Buffer read access is not finished until a new frame is received, an IRQ\_6 (TRX\_UR) interrupt occurs. Nevertheless the old frame data can be read, if the SPI data rate is higher than the effective PHY data rate. A minimum SPI clock rate of 1MHz is recommended in this case. Finally, the microcontroller should check the integrity of the transferred frame data by calculating the FCS.
  3. When writing data to the Frame Buffer during frame transmission, the SPI data rate shall be higher than the PHY data rate to ensure no under run interrupt. The first byte of the PSDU data must be available in the Frame Buffer before SFD transmission is complete.

## 9.5 Voltage Regulators (AVREG, DVREG)

The main features of the Voltage Regulator blocks are:

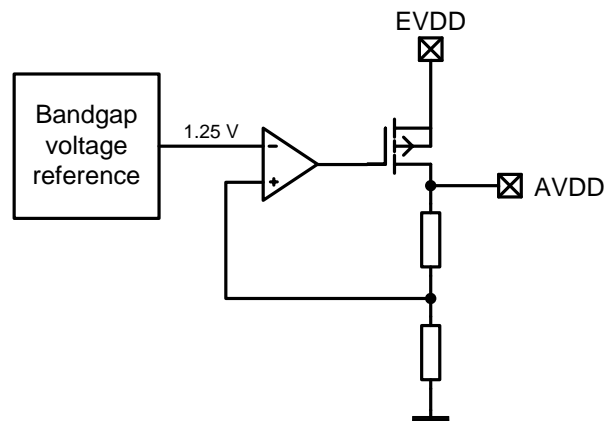
- Bandgap stabilized 1.8V supply for analog and digital domain
- Low dropout (LDO) voltage regulator
- AVREG/DVREG can be disabled when an external regulated voltage is supplied to AVDD/DVDD pin

### 9.5.1 Overview

The internal voltage regulators supply a stabilized voltage to the Atmel AT86RF212B. The AVREG provides the regulated 1.8V supply voltage for the analog domain and the DVREG supplies the 1.8V supply voltage for the digital domain.

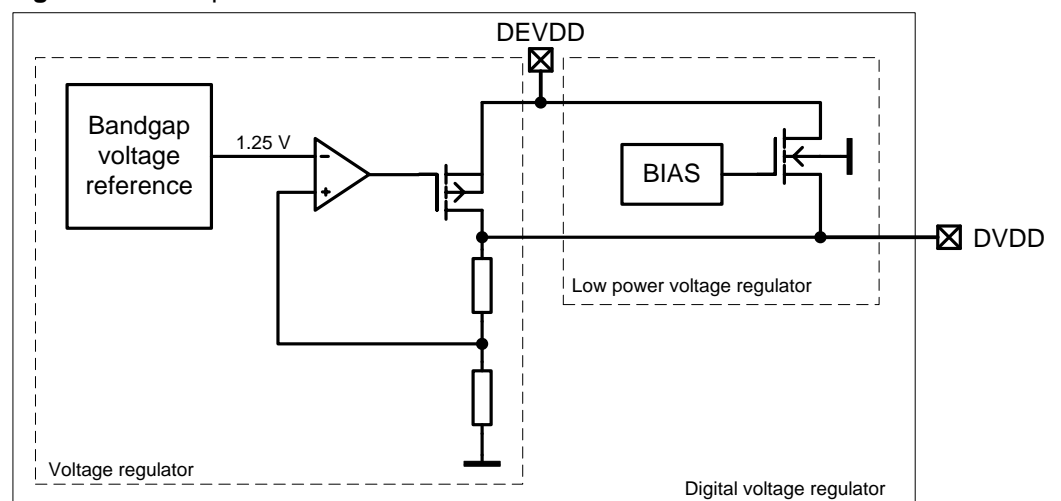
A simplified schematic of the internal analog voltage regulator is shown in [Figure 9-18](#).

**Figure 9-18.** Simplified Schematic of AVREG.



A simplified schematic of the internal digital voltage regulator is shown in [Figure 9-19](#).

**Figure 9-19.** Simplified Schematic of DVREG.



The block “Low power voltage regulator” within the “Digital voltage regulator” maintains the DVDD supply voltage at 1.5V (typical) when the Atmel AT86RF212B voltage regulator is disabled in sleep mode. All configuration register values are stored.

The low power voltage regulator is always enabled. Therefore, its bias current contributes to the leakage current in sleep mode with about 100nA (typical).

The voltage regulators (AVREG, DVREG) require bypass capacitors for stable operation. The value of the bypass capacitors determine the settling time of the voltage regulators. The bypass capacitors shall be placed as close as possible to the pins and shall be connected to ground with the shortest possible traces (see [Table 5-1](#)).

### 9.5.2 Configuration

The voltage regulators can be configured by the register 0x10 (VREG\_CTRL).

It is recommended to use the internal regulators, but it is also possible to supply the low voltage domains by an external voltage supply. For this configuration, the internal regulators need to be switched off by setting the register bits to the values AVREG\_EXT = 1 and DVREG\_EXT = 1. A regulated external supply voltage of 1.8V needs to be connected to the pins 13, 14 (DVDD) and pin 29 (AVDD). Even if DVDD and AVDD are connected to an external supply, it is required to connect VDD to an external supply. When providing the external supply, ensure a sufficiently long stabilization time before interacting with the AT86RF212B.

Disabling the internal regulators increases total SLEEP current for DVDD/DEVDD to 800nA/150nA. Note that the combined nominal current for DEVDD is only 200nA with internal regulators enabled.

### 9.5.3 Data Interpretation

The status bits AVDD\_OK = 1 and DVDD\_OK = 1 in register 0x10 (VREG\_CTRL) indicate an enabled and stable internal supply voltage. Reading value zero indicates a disabled or internal supply voltage not settled to the final value. Setting AVREG\_EXT = 1 and DVREG\_EXT = 1 forces the signals AVDD\_OK and DVDD\_OK to one.

### 9.5.4 Register Description

#### Register 0x10 (VREG\_CTRL):

The VREG\_CTRL register controls the use of the voltage regulators and indicates the status of these.

**Figure 9-20.** Register VREG\_CTRL.

Bit	7	6	5	4	
0x10	AVREG_EXT	AVDD_OK	reserved		VREG_CTRL
Read/Write	R/W	R	R/W	R/W	
Reset value	0	0	0	0	
Bit	3	2	1	0	
0x10	DVREG_EXT	DVDD_OK	reserved		VREG_CTRL
Read/Write	R/W	R	R/W	R/W	
Reset value	0	0	0	0	

- **Bit 7 - AVREG\_EXT**

If set this register bit disables the internal analog voltage regulator to apply an external regulated 1.8V supply for the analog building blocks.

**Table 9-19.** AVREG\_EXT.

Register Bits	Value	Description
AVREG_EXT	0	Internal voltage regulator enabled, analog section
	1	Internal voltage regulator disabled, use external regulated 1.8V supply voltage for the analog section

- **Bit 6 - AVDD\_OK**

This register bit indicates if the internal 1.8V regulated voltage supply AVDD has settled. The bit is set to logic high, if AVREG\_EXT = 1.

**Table 9-20.** AVDD\_OK.

Register Bits	Value	Description
AVDD_OK	0	Analog voltage regulator is disabled or supply voltage not stable
	1	Analog supply voltage is stable

- **Bit 3 - DVREG\_EXT**

If set this register bit disables the internal digital voltage regulator to apply an external regulated 1.8V supply for the digital building blocks.

**Table 9-21.** DVREG\_EXT.

Register Bits	Value	Description
DVREG_EXT	0	Internal voltage regulator enabled, digital section
	1	Internal voltage regulator disabled, use external regulated 1.8V supply voltage for the digital section

- **Bit 2 - DVDD\_OK**

This register bit indicates if the internal 1.8V regulated voltage supply DVDD has settled. The bit is set to logic high, if DVREG\_EXT = 1.

**Table 9-22.** DVDD\_OK.

Register Bits	Value	Description
DVDD_OK	0	Digital voltage regulator is disabled or supply voltage not stable
	1	Digital supply voltage is stable

Note: 1. While the reset value of this bit is zero, any practical access to the register is only possible when DVREG is active. So this bit is normally always read out as one.

### Register 0x0C (TRX\_CTRL\_2):

The TRX\_CTRL\_2 register is a multi-purpose control register to control various settings of the radio transceiver.

**Figure 9-21.** Register TRX\_CTRL\_2.

Bit	7	6	5	4	
0x0C	RX_SAFE_MODE	TRX_OFF_AVDD_EN	OQPSK_SCRAM_EN	ALT_SPECTRUM	TRX_CTRL_2
Read/Write	R/W	R/W	R/W	R/W	
Reset value	0	0	1	0	
Bit	3	2	1	0	
0x0C	BPSK_OQPSK	SUB_MODE	OQPSK_DATA_RATE		TRX_CTRL_2
Read/Write	R/W	R/W	R/W	R/W	
Reset value	0	1	0	0	

- **Bit 6 - TRX\_OFF\_AVDD\_EN**

The register bit TRX\_OFF\_AVDD\_EN enables analog voltage regulator in TRX\_OFF state.

**Table 9-23.** TRX\_OFF\_AVDD\_EN.

Register Bits	Value	Description
TRX_OFF_AVDD_EN	0	During TRX_OFF state analog voltage regulator is disabled
	1	During TRX_OFF state analog voltage regulator is enabled

If this register bit is set, the analog voltage regulator remains enabled in TRX\_OFF state. This provides for a faster RX or TX turn-on time. It is especially useful when a short stopover is made in TRX\_OFF state. The recharge time for capacitances is avoided in this case.

The current consumption increases by 100µA (typical).

## 9.6 Battery Monitor (BATMON)

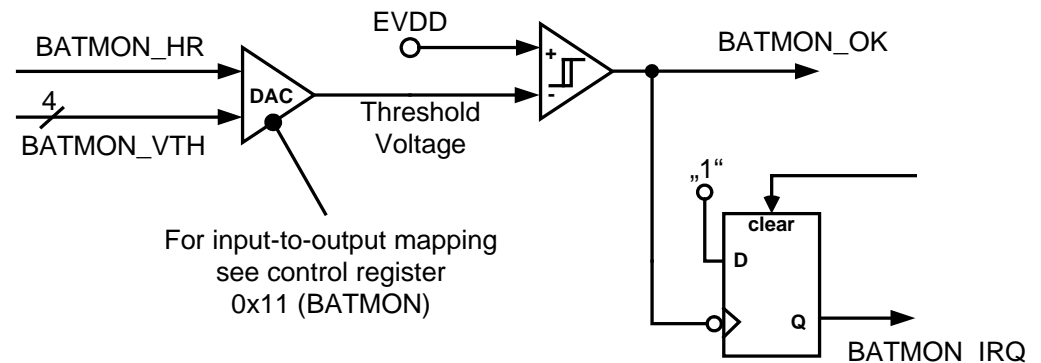
The main features of the battery monitor are:

- Configurable voltage reference threshold from 1.70V to 3.675V
- Interrupt on low - supply voltage condition
- Continuous BATMON status monitor as a register flag

### 9.6.1 Overview

The Atmel AT86RF212B battery monitor (BATMON) detects and flags a low external supply voltage level, provided on pin 28 (EVDD). The external voltage supply pin 28 (EVDD) is continuously compared with the internal threshold voltage to detect a low voltage supply level. In this case BATMON\_IRQ is triggered and BATMON\_OK flag is cleared to indicate undervoltage condition, see [Figure 9-22](#).

**Figure 9-22.** Simplified Schematic of BATMON.



### 9.6.2 Configuration

The BATMON can be configured using the register 0x11 (BATMON). Register bits BATMON\_VTH sets the threshold voltage. It is configurable with a resolution of 75mV in the upper voltage range (BATMON\_HR = 1) and with a resolution of 50mV in the lower voltage range (BATMON\_HR = 0), for details refer to register 0x11 (BATMON).

### 9.6.3 Data Interpretation

The signal register bit BATMON\_OK of register 0x11 (BATMON) monitors the current value of the battery voltage:

- If BATMON\_OK = 0, the battery voltage is lower than the threshold voltage
- If BATMON\_OK = 1, the battery voltage is higher than the threshold voltage

After setting a new threshold, the value BATMON\_OK should be read out to verify the current supply voltage value.

Note: 1. The battery monitor is inactive during P\_ON, and SLEEP states, see register bits TRX\_STATUS (register 0x01, TRX\_STATUS).

### 9.6.4 Interrupt Handling

A supply voltage drop below the configured threshold value is indicated by an interrupt IRQ\_7 (BAT\_LOW), see [Section 6.7](#).

Note: 1. The Atmel AT86RF212B IRQ\_7 (BAT\_LOW) interrupt is issued only if BATMON\_OK changes from one to zero.

IRQ\_7 (BAT\_LOW) interrupt is not generated under following conditions:

- The battery voltage remained below 1.8V threshold value on power-on (BATMON\_OK was never one), or
- A new threshold is set, which is still above the current supply voltage (BATMON\_OK remains zero).

When the battery voltage is close to the programmed threshold voltage, noise or temporary voltage drops may generate unwanted interrupts. To avoid this:

- Disable the IRQ\_7 (BAT\_LOW) in register 0x0E (IRQ\_MASK) and treat the battery as empty, or
- Set a lower threshold value.

### 9.6.5 Register Description

#### Register 0x11 (BATMON):

The BATMON register configures the battery monitor to compare the supply voltage at pin 28 (EVDD) to the threshold. Additionally, the supply voltage status at pin 28 (EVDD) can be read from register bit BATMON\_OK according to the actual BATMON settings.

**Figure 9-23.** Register BATMON.

Bit	7	6	5	4	
0x11	PLL_LOCK_CP	reserved	BATMON_OK	BATMON_HR	BATMON
Read/Write	R	R/W	R	R/W	
Reset value	0	0	0	0	
Bit	3	2	1	0	
0x11	BATMON_VTH				BATMON
Read/Write	R/W	R/W	R/W	R/W	
Reset value	0	0	1	0	

#### • Bit 5 - BATMON\_OK

The register bit BATMON\_OK indicates the level of the external supply voltage with respect to the programmed threshold BATMON\_VTH.

**Table 9-24.** BATMON\_OK.

Register Bits	Value	Description
BATMON_OK	0	The battery voltage is below the threshold
	1	The battery voltage is above the threshold

- **Bit 4 - BATMON\_HR**

The register bit BATMON\_HR sets the range and resolution of the battery monitor.

**Table 9-25.** BATMON\_HR.

Register Bits	Value	Description
BATMON_HR	<u>0</u>	Enables the low range, see BATMON_VTH
	1	Enables the high range, see BATMON_VTH

- **Bit 3:0 – BATMON\_VTH**

The threshold values for the battery monitor are set by register bits BATMON\_VTH.

**Table 9-26.** Battery Monitor Threshold Voltages.

Value BATMON_VTH	Voltage [V] BATMON_HR = 1	Voltage [V] BATMON_HR = <u>0</u>
0x0	2.550	1.70
0x1	2.625	1.75
<u>0x2</u>	2.700	<u>1.80</u>
0x3	2.775	1.85
0x4	2.850	1.90
0x5	2.925	1.95
0x6	3.000	2.00
0x7	3.075	2.05
0x8	3.150	2.10
0x9	3.225	2.15
0xA	3.300	2.20
0xB	3.375	2.25
0xC	3.450	2.30
0xD	3.525	2.35
0xE	3.600	2.40
0xF	3.675	2.45

## 9.7 Crystal Oscillator (XOSC) and Clock Output (CLKM)

The main crystal oscillator features are:

- 16MHz amplitude-controlled crystal oscillator
- Fast settling time after leaving SLEEP state
- Configurable trimming capacitance array
- Configurable clock output (CLKM)

### 9.7.1 Overview

The crystal oscillator generates the reference frequency for the Atmel AT86RF212B. All other internally generated frequencies of the radio transceiver are derived from this frequency. Therefore, the overall system performance is mainly determined by the accuracy of crystal reference frequency. The external components of the crystal oscillator should be selected carefully and the related board layout should be done with caution (see [Chapter 5](#)).

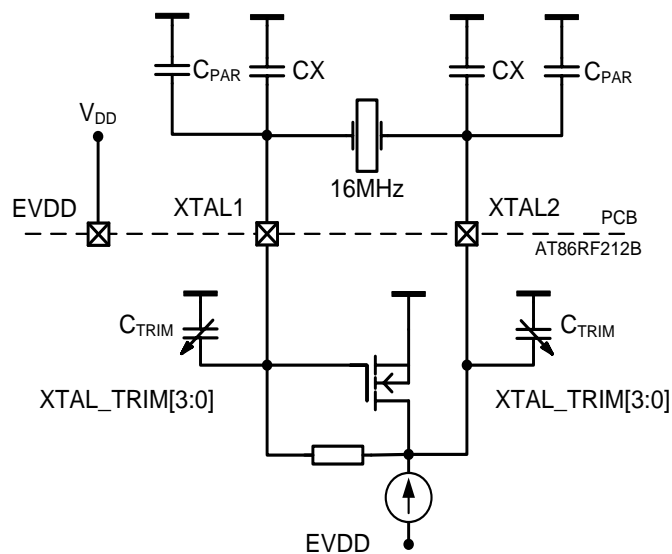
The register 0x12 (XOSC\_CTRL) provides access to the control signals of the oscillator. Two operating modes are supported. It is recommended to use the integrated oscillator setup as described in [Figure 9-24](#). Alternatively, a reference frequency can be fed to the internal circuitry by using an external clock reference as shown in [Figure 9-25](#).

### 9.7.2 Integrated Oscillator Setup

Using the internal oscillator, the oscillation frequency depends on the load capacitance between the crystal pin 26 (XTAL1) and pin 25 (XTAL2). The total load capacitance  $C_L$  must be equal to the specified load capacitance of the crystal itself. It consists of the external capacitors CX and parasitic capacitances connected to the XTAL nodes.

[Figure 9-24](#) shows all parasitic capacitances, such as PCB stray capacitances and the pin input capacitance, summarized to  $C_{PAR}$ .

**Figure 9-24.** Simplified XOSC Schematic with External Components.



Additional internal trimming capacitors  $C_{TRIM}$  are available. Any value in the range from 0pF to 4.5pF with a 0.3pF resolution is selectable using XTAL\_TRIM of register 0x12 (XOSC\_CTRL). To calculate the total load capacitance, the following formula can be used

$$C_L[\text{pF}] = 0.5 \times (C_X[\text{pF}] + C_{TRIM}[\text{pF}] + C_{PAR}[\text{pF}]).$$

The Atmel AT86RF212B trimming capacitors provide the possibility of reducing frequency deviations caused by production process variations or by external components tolerances. Note that the oscillation frequency can only be reduced by increasing the trimming capacitance. The frequency deviation caused by one step of  $C_{TRIM}$  decreases with increasing crystal load capacitor values.

An amplitude control circuit is included to ensure stable operation under different operating conditions and for different crystal types. Enabling the crystal oscillator in P\_ON state and after leaving SLEEP state causes a slightly higher current during the amplitude build-up phase to guarantee a short start-up time. At stable operation, the current is reduced to the amount necessary for a robust operation. This also keeps the drive level of the crystal low.

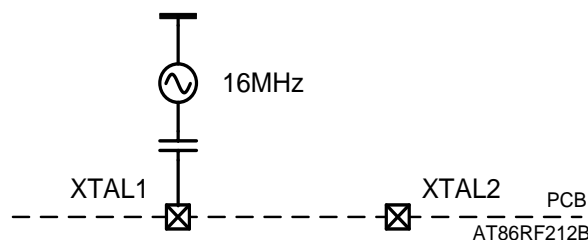
Generally, crystals with a higher load capacitance are less sensitive to parasitic pulling effects caused by external component variations or by variations of board and circuit parasitic. On the other hand, a larger crystal load capacitance results in a longer start-up time and a higher steady state current consumption.

### 9.7.3 External Reference Frequency Setup

When using an external reference frequency, the signal must be connected to pin 26 (XTAL1) as indicated in [Figure 9-25](#) and the register bits XTAL\_MODE (register 0x12, XOSC\_CTRL) need to be set to the external oscillator mode for power saving reasons. The oscillation peak-to-peak amplitude shall be between 100mV and 500mV, the optimum range is between 400mV and 500mV. Pin 25 (XTAL2) should not be wired. It is possible, among other waveforms, to use sine and square wave signals.

- Note:
1. The quality of the external reference (that is phase noise) determines the system performance.

**Figure 9-25.** Setup for Using an External Frequency Reference.



### 9.7.4 Master Clock Signal Output (CLKM)

The generated reference clock signal can be fed into a microcontroller using pin 17 (CLKM). The internal 16MHz raw clock can be divided by an internal prescaler. Thus, clock frequencies of 16MHz, 8MHz, 4MHz, 2MHz, 1MHz, 250kHz, or the current SHR symbol rate frequency can be supplied by pin 17 (CLKM).

The CLKM frequency, update scheme, and pin driver strength is configurable using register 0x03 (TRX\_CTRL\_0). There are two possibilities how an CLKM frequency change gets effective. If CLKM\_SHA\_SEL = 0 and/or CLKM\_CTRL = 0, changing the

register bits CLKM\_CTRL (register 0x03, TRX\_CTRL\_0 immediately affects a glitch free the CLKM clock rate change. Otherwise (CLKM\_SHA\_SEL = 1 and CLKM\_CTRL > 0 before changing the register bits CLKM\_CTRL), the new clock rate is supplied when leaving the SLEEP state the next time.

To reduce power consumption and spurious emissions, it is recommended to turn off the CLKM clock when not in use or to reduce its driver strength to a minimum, refer to [Section 1.3](#).

- Note:
1. During reset procedure, see [Section 7.1.4.5](#), register bits CLKM\_CTRL are shadowed. Although the clock setting of CLKM remains after reset, a read access to register bits CLKM\_CTRL delivers the reset value one. For that reason, it is recommended to write the previous configuration (before reset) to register bits CLKM\_CTRL (after reset) to align the radio transceiver behavior and register configuration. Otherwise, the CLKM clock rate is set back to the reset value (1MHz) after the next SLEEP cycle.

For example, if the CLKM clock rate is configured to 16MHz, the CLKM clock rate remains at 16MHz after a reset, however, the register bits CLKM\_CTRL are set back to one. Since CLKM\_SHA\_SEL reset value is one, the CLKM clock rate changes to 1MHz after the next SLEEP cycle if the CLKM\_CTRL setting is not updated.

### 9.7.5 Clock Jitter

The Atmel AT86RF212B provides receiver sensitivities up to -110dBm. Detection of such small RF signals requires very clean scenarios with respect to noise and interference. Harmonics of digital signals may degrade the performance if they interfere with the wanted RF signal. A small clock jitter of digital signals can spread harmonics over a wider frequency range, thus reducing the power of certain spectral lines. AT86RF212B provides such a clock jitter as an optional feature. The jitter module is working for the receiver part and all I/O signals, for example CLKM if enabled. The transmitter part and RF frequency generation are not influenced.

### 9.7.6 Register Description

#### Register 0x03 (TRX\_CTRL\_0):

The TRX\_CTRL\_0 register controls the driver current of the digital output pads and the CLKM clock rate.

**Figure 9-26.** Register TRX\_CTRL\_0.

Bit	7	6	5	4	
0x03	PAD_IO		PAD_IO_CLKM		TRX_CTRL_0
Read/Write	R/W	R/W	R/W	R/W	
Reset value	0	0	0	1	
Bit	3	2	1	0	
0x03	CLKM_SHA_SEL	CLKM_CTRL			TRX_CTRL_0
Read/Write	R/W	R/W	R/W	R/W	
Reset value	1	0	0	1	

- **Bit 5:4 - PAD\_IO\_CLKM**

These register bits set the output driver current of pin CLKM. It is recommended to reduce the driver strength to 2mA (PAD\_IO\_CLKM = 0) if possible. This reduces power consumption and spurious emissions.

**Table 9-27. PAD\_IO\_CLKM.**

Register Bits	Value	Description
PAD_IO_CLKM	0	2mA
	<u>1</u>	4mA
	2	6mA
	3	8mA

- **Bit 3 - CLKM\_SHA\_SEL**

The register bit CLKM\_SHA\_SEL defines whether a new clock rate (defined by CLKM\_CTRL) is set immediately or gets effective after the next SLEEP cycle.

**Table 9-28. CLKM\_SHA\_SEL.**

Register Bits	Value	Description
CLKM_SHA_SEL	0	CLKM clock rate change appears immediately
	<u>1</u>	CLKM clock rate change appears after SLEEP cycle

- **Bit 2:0 - CLKM\_CTRL**

The register bits CLKM\_CTRL set the clock rate of pin 17 (CLKM).

**Table 9-29. CLKM\_CTRL.**

Register Bits	Value	Description
CLKM_CTRL	0	No clock at pin 17 (CLKM), pin set to logic low
	<u>1</u>	1MHz
	2	2MHz
	3	4MHz
	4	8 MHz
	5	16MHz
	6	250kHz
	7	IEEE 802.15.4 symbol rate frequency

Note: 1. If a clock rate is selected between 1MHz and 16MHz and pin SLP\_TR is set to logic high in state TRX\_OFF, the TRX delivers additional 35 clock cycles before entering state SLEEP.

The CLKM\_CTRL setting seven has special behavior, for details refer to [Table 9-30](#).

**Table 9-30.** IEEE 802.15.4 symbol rate frequencies.

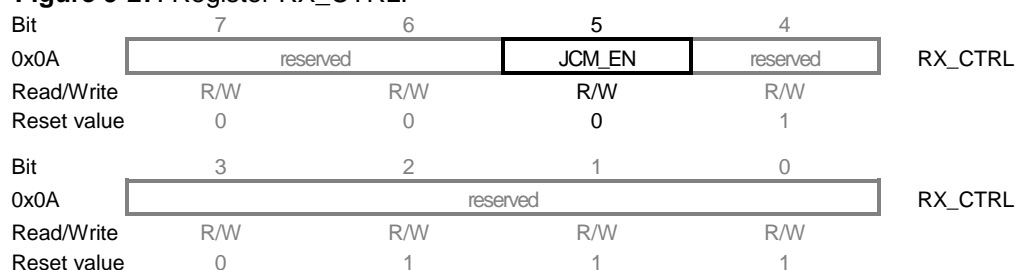
BPSK_QPSK <sup>(1)</sup>	SUB_MODE <sup>(1)</sup>	Frequency
0	0	20kHz
0	1	40kHz
1	0	25kHz
1	1	62.5kHz

Note: 1. Refer to [Section 9.1.5](#).

**Register 0x0A (RX\_CTRL):**

The register RX\_CTRL configures the clock jitter module.

**Figure 9-27.** Register RX\_CTRL.



• **Bit 5 - JCM\_EN**

The register bit JCM\_EN controls digital clock jitter module.

**Table 9-31.** JCM\_EN.

Register Bits	Value	Description
JCM_EN	0	Digital clock jitter module is disabled
	1	Digital clock jitter module is enabled

Note: 1. JCM\_EN will be always disabled within transmitting and filter tuning.

## Register 0x12 (XOSC\_CTRL):

The XOSC\_CTRL register controls the operation of the crystal oscillator.

**Figure 9-28.** Register XOSC\_CTRL.

Bit	7	6	5	4	
0x12	XTAL_MODE				XOSC_CTRL
Read/Write	R/W	R/W	R/W	R/W	
Reset value	1	1	1	1	
Bit	3	2	1	0	
0x12	XTAL_TRIM				XOSC_CTRL
Read/Write	R/W	R/W	R/W	R/W	
Reset value	0	0	0	0	

- **Bit 7:4 - XTAL\_MODE**

The register bits XTAL\_MODE set the operating mode of the crystal oscillator.

**Table 9-32.** XTAL\_MODE.

Register Bits	Value	Description
XTAL_MODE	0x4	Internal crystal oscillator disabled, use external reference frequency
	0xF	Internal crystal oscillator enabled and XOSC voltage regulator enabled
		All other values are reserved

For normal operation the default value is set to XTAL\_MODE = 0xF after reset. Using an external clock source it is recommended to set XTAL\_MODE = 0x4.

- **Bit 3:0 - XTAL\_TRIM**

The register bits XTAL\_TRIM control internal capacitance arrays connected to pin 26 (XTAL1) and pin 25 (XTAL2).

**Table 9-33.** XTAL\_TRIM.

Register Bits	Value	Description
XTAL_TRIM	0x0	A capacitance value in the range from 0pF to 4.5pF is selectable with a resolution of 0.3pF. Valid values are [0xF, 0xE, ..., 0x0].

## 9.8 Frequency Synthesizer (PLL)

The main PLL features are:

- Generate RX/TX frequencies for all supported channels
- Autonomous calibration loops for stable operation within the operating range
- Two PLL interrupts for status indication
- Fast PLL settling to support frequency hopping

### 9.8.1 Overview

The PLL generates the RF frequencies for the Atmel AT86RF212B. During receive and transmit operations, the frequency synthesizer operates as a local oscillator. The frequency synthesizer is implemented as a fractional-N PLL with analog compensation of the fractional phase error. The voltage-controlled oscillator (VCO) is running at double of the RF frequency.

Two calibration loops ensure correct PLL functionality within the specified operating limits.

### 9.8.2 RF Channel Selection

The PLL is designed to support:

- One channel in the European SRD band from 863MHz to 870MHz at 868.3MHz according to IEEE 802.15.4 (channel  $k = 0$ )
- 10 channels in the North American ISM band from 902MHz to 928MHz with a channel spacing of 2MHz according to IEEE 802.15.4. The center frequency of these channels is defined as:  
$$F_c[\text{MHz}] = 906[\text{MHz}] + 2[\text{MHz}] \times (k - 1), \text{ for } k = 1, 2, \dots, 10$$
where  $k$  is the channel number.
- Four channels in the Chinese WPAN band from 779MHz to 787MHz with a channel spacing of 2MHz according to IEEE 802.15.4c-2009 and IEEE 802.15.4-2011. Center frequencies are 780MHz, 782MHz, 784MHz, and 786MHz.

Additionally, the PLL supports all frequencies from 769MHz to 935MHz with 1MHz frequency spacing and four bands with 100kHz spacing from 769.0MHz to 794.5MHz, 857.0MHz to 882.5MHz, and 902.0MHz to 928.5MHz. The frequency is selected by register bits CC\_BAND (register 0x14, CC\_CTRL\_1) and register bits CC\_NUMBER of (register 0x13, CC\_CTRL\_0).

Table 9-34 shows the settings of CC\_BAND and CC\_NUMBER.

**Table 9-34.** Frequency Bands and Numbers.

CC_BAND	CC_NUMBER	Description
0	Not used	European and North American channels according to IEEE 802.15.4; Frequency selected by register bits CHANNEL (register 0x08, PHY_CC_CCA), refer to <a href="#">Section 9.8.6</a>
1	0x00 – 0xFF	769.0MHz – 794.5MHz $F_c \text{ [MHz]} = 769.0\text{[MHz]} + 0.1\text{[MHz]} \times \text{CC\_NUMBER}$
2	0x00 – 0xFF	857.0MHz – 882.5MHz $F_c \text{ [MHz]} = 857.0\text{[MHz]} + 0.1\text{[MHz]} \times \text{CC\_NUMBER}$
3	0x00 – 0xFF	903.0MHz – 928.5MHz $F_c \text{ [MHz]} = 903.0\text{[MHz]} + 0.1\text{[MHz]} \times \text{CC\_NUMBER}$
4	0x00 – 0x5E	769MHz – 863MHz $F_c \text{ [MHz]} = 769\text{[MHz]} + 1\text{[MHz]} \times \text{CC\_NUMBER}$
5	0x00 – 0x66	833MHz – 935MHz $F_c \text{ [MHz]} = 833\text{[MHz]} + 1\text{[MHz]} \times \text{CC\_NUMBER}$
6	0x00 – 0xFF	902.0MHz – 927.5MHz $F_c \text{ [MHz]} = 902.0\text{[MHz]} + 0.1\text{[MHz]} \times \text{CC\_NUMBER}$
7	0x00 – 0xFF	Reserved

### 9.8.3 PLL Settling Time and Frequency Agility

When the PLL is enabled during state transition from TRX\_OFF to PLL\_ON or RX\_ON, the settling time is typically  $t_{TR4} = 170\mu\text{s}$ , including PLL self calibration. For more information, refer to [Table 7-2](#) and [Section 9.8.4](#). A lock of the PLL is indicated with an interrupt IRQ\_0 (PLL\_LOCK).

Switching between channels within a frequency band in PLL\_ON or RX\_ON states is typically done within  $t_{PLL\_SW} = 11\mu\text{s}$ . This makes the radio transceiver highly suitable for frequency hopping applications.

The PLL frequency in PLL\_ON and receive states is 1MHz below the PLL frequency in transmit states. When starting the transmit procedure, the PLL frequency is changed to the transmit frequency within a period of  $t_{RX\_TX} = 16\mu\text{s}$  before really starting the transmission. After the transmission, the PLL settles back to the receive frequency within a period of  $t_{TX\_RX} = 32\mu\text{s}$ . This frequency step does not generate an interrupt IRQ\_0 (PLL\_LOCK) or IRQ\_1 (PLL\_UNLOCK) within these periods.

### 9.8.4 Calibration Loops

Due to variation of temperature, supply voltage and part-to-part variations of the radio transceiver the VCO characteristics may vary.

To ensure a stable operation, two automated control loops are implemented, center frequency (CF) tuning and delay cell (DCU) calibration. Both calibration loops are initiated automatically when the PLL is enabled during state transition from TRX\_OFF to PLL\_ON or RX\_ON state. Additionally, both calibration loops are initiated when the PLL changes to a different frequency setting.

If the PLL operates for a long time on the same channel, for example more than five minutes, or the operating temperature changes significantly, it is recommended to initiate the calibration loops manually.

Both Atmel AT86RF212B calibration loops can be initiated manually by SPI command. To start the calibration, the device should be in state PLL\_ON. The center frequency

calibration can be initiated by setting `PLL_CF_START = 1` (register 0x1A, `PLL_CF`). The calibration loop is completed when the `IRQ_0 (PLL_LOCK)` occurs, if enabled. The duration of the center frequency calibration loop depends on the difference between the current CF value and the final CF value. During the calibration, the CF value is incremented or decremented. Each step takes  $t_{PLL\_CF} = 8\mu s$ . The minimum time is  $8\mu s$ ; the maximum time is  $270\mu s$ . The recommended procedure to start the center frequency calibration is to read the register 0x1A (`PLL_CF`), to set the `PLL_CF_START` register bit to one, and to write the value back to the register.

The delay cell calibration can be initiated by setting the bit `PLL_DCU_START` of register 0x1B (`PLL_DCU`) to one. The delay time of the programmable delay unit is adjusted to the correct value. The calibration works as successive approximation and is independent of the values in the register 0x1B (`PLL_DCU`). The duration of the calibration is  $t_{PLL\_DCU} = 10\mu s$ .

During both calibration processes, no correct receive or transmit operation is possible. The recommended state for the calibration is therefore `PLL_ON`, but calibration is not blocked at receive or transmit states.

Both calibrations can be executed concurrently.

### 9.8.5 Interrupt Handling

Two different interrupts indicate the PLL status (refer to register 0x0F). `IRQ_0 (PLL_LOCK)` indicates that the PLL has locked. `IRQ_1 (PLL_UNLOCK)` interrupt indicates an unexpected unlock condition. A `PLL_LOCK` interrupt clears any preceding `PLL_UNLOCK` interrupt automatically and vice versa.

An `IRQ_0 (PLL_LOCK)` interrupt is supposed to occur in the following situations:

- State change from `TRX_OFF` to `PLL_ON / RX_ON`
- Frequency setting change in states `PLL_ON / RX_ON`
- A manually started center frequency calibration has been completed

All other `PLL_LOCK` interrupt events indicate that the PLL locked again after a prior unlock happened.

An `IRQ_1 (PLL_UNLOCK)` interrupt occurs in the following situations:

- A manually initiated center frequency calibration in states `PLL_ON / (RX_ON)`
- Frequency setting change in states `PLL_ON / RX_ON`

Any other occurrences of `IRQ_1 (PLL_UNLOCK)` indicate erroneous behavior and require checking of the actual device status.

`PLL_LOCK` and `PLL_UNLOCK` affect the behavior of the transceiver:

In states `BUSY_TX` and `BUSY_TX_ARET` the transmission is stopped and the transceiver returns into state `PLL_ON`. During `BUSY_RX` and `BUSY_RX_AACK`, the transceiver returns to state `RX_ON` and `RX_AACK_ON`, respectively, once the PLL has locked.

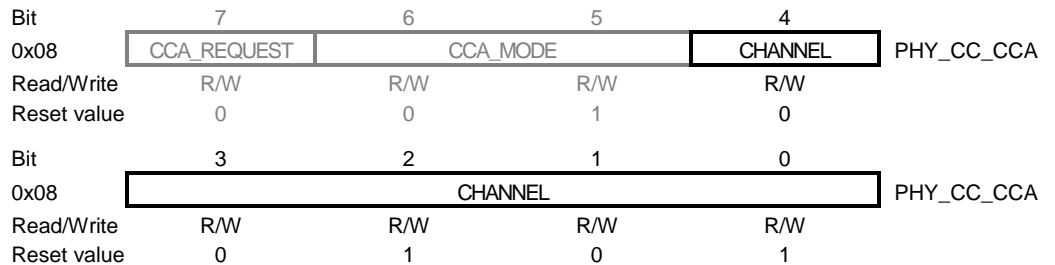
- Notes:
1. An Atmel AT86RF212B interrupt `IRQ_0 (PLL_LOCK)` clears any preceding `IRQ_1 (PLL_UNLOCK)` interrupt automatically and vice versa.
  2. The state transition from `BUSY_TX / BUSY_TX_ARET` to `PLL_ON / TX_ARET_ON` after successful transmission does not generate an `IRQ_0 (PLL_LOCK)` within the settling period.

9.8.6 Register Description

**Register 0x08 (PHY\_CC\_CCA):**

The PHY\_CC\_CCA register is a multi-purpose register that controls CCA configuration, CCA measurement, and the IEEE 802.15.4 channel setting.

**Figure 9-29.** Register PHY\_CC\_CCA.



The register PHY\_CC\_CCA contains register bits to set the channel center frequency according to channel page 0 of IEEE 802.15.4 for the European and North American band. A write access to the register bits CHANNEL sets the channel number; a read access shows the current channel number. It is necessary to set register bits CC\_BAND (register 0x14, CC\_CTRL\_1) to zero in order to enable the above described channel selection, see [Table 9-34](#).

- **Bit 4:0 - CHANNEL**

The register bits CHANNEL define the RX/TX channel. The channel assignment is according to IEEE 802.15.4. Channel center frequency according to channel page 0 of IEEE 802.15.4–2003/2006/2011 for the European and North American band.

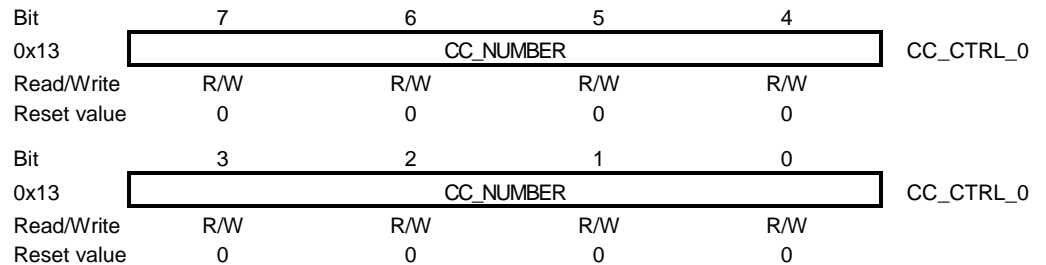
**Table 9-35.** CHANNEL.

Register Bits	Value	Description
CHANNEL	0x00	868.3MHz
	0x01	906MHz
	0x02	908MHz
	0x03	910MHz
	0x04	912 MHz
	0x05	914MHz
	0x06	916MHz
	0x07	918MHz
	0x08	920MHz
	0x09	922MHz
	0x0A	924MHz
	All other values are reserved	

**Register 0x13 (CC\_CTRL\_0):**

The CC\_CTRL\_0 register controls the frequency selection, if the selection by CHANNEL (register 0x08, PHY\_CC\_CCA) is not used.

**Figure 9-30.** Register CC\_CTRL\_0.



**Register 0x13 (CC\_CTRL\_0):**

This register controls the center frequency if the selection by channel number according to IEEE 802.15.4 is not used.

**Table 9-36.** Register 0x13 (CC\_CTRL\_0).

Bit	7	6	5	4	3	2	1	0
Name	CC_NUMBER[7:0]							
Read/Write	R/W							
Reset Value	0	0	0	0	0	0	0	0

• **Bit 7:0 - CC\_NUMBER**

**Table 9-37.** CC\_NUMBER.

Register Bits	Value	Description
CC_NUMBER	<u>0x00</u>	Alternative frequency selection with 100kHz or 1MHz frequency spacing. CC_BAND = 0x0: Not used CC_BAND = 0x1: Valid values are [0xFF, 0xFE, ..., 0x00] CC_BAND = 0x2: Valid values are [0xFF, 0xFE, ..., 0x00] CC_BAND = 0x3: Valid values are [0xFF, 0xFE, ..., 0x00] CC_BAND = 0x4: Valid values are [0x5E, 0x5D, ..., 0x00] CC_BAND = 0x5: Valid values are [0x66, 0x65, ..., 0x00] CC_BAND = 0x6: Valid values are [0xFF, 0xFE, ..., 0x00] All other values are reserved

## Register 0x14 (CC\_CTRL\_1):

The CC\_CTRL\_1 register controls the selection of the frequency bands.

**Figure 9-31.** Register CC\_CTRL\_1.

Bit	7	6	5	4	
0x14	reserved				CC_CTRL_1
Read/Write	R/W	R/W	R/W	R	
Reset value	0	0	0	0	
Bit	3	2	1	0	
0x14	reserved	CC BAND			CC_CTRL_1
Read/Write	R	R/W	R/W	R/W	
Reset value	0	0	0	0	

- **Bit 2:0 - CC\_BAND**

The register bits CC\_BAND control the selection for IEEE 802.15.4 channel band and additional frequencies bands.

**Table 9-38.** CC\_BAND.

Register Bits	Value	Description
CC_BAND	0	The IEEE 802.15.4 channel within register bits CHANNEL is selected
	1	The frequency band one is selected
	2	The frequency band two is selected
	3	The frequency band three is selected
	4	The frequency band four is selected
	5	The frequency band five is selected
	6	The frequency band six is selected
		All other values are reserved

If the register bits CC\_BAND and CC\_NUMBER are used, the frequency mapping is described in [Table 9-34](#).

## Register 0x1A (PLL\_CF):

The PLL\_CF register controls the operation of the center frequency calibration loop.

**Figure 9-32.** Register PLL\_CF.

Bit	7	6	5	4	
0x1A	PLL_CF_START	reserved			PLL_CF
Read/Write	R/W	R/W	R/W	R/W	
Reset value	0	1	0	0	
Bit	3	2	1	0	
0x1A	reserved				PLL_CF
Read/Write	R/W	R/W	R/W	R/W	
Reset value	1	0	0	0	

• **Bit 7 - PLL\_CF\_START**

Manual start of center frequency calibration cycle.

**Table 9-39. PLL\_CF\_START.**

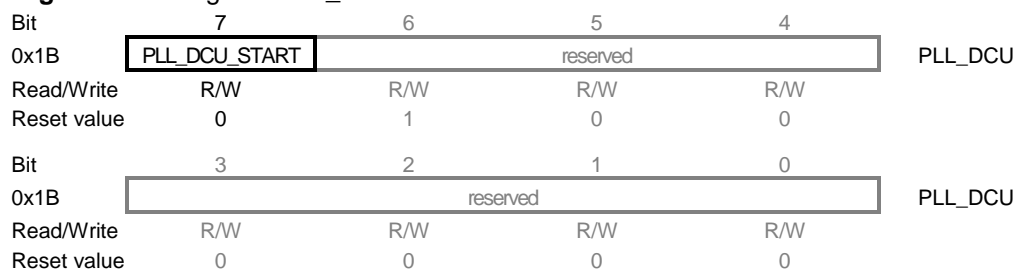
Register Bits	Value	Description
PLL_CF_START	0	Center frequency calibration cycle is finished
	1	Initiates center frequency calibration cycle

PLL\_CF\_START = 1 initiates the center frequency calibration. The calibration cycle has finished after  $t_{PLL\_CF} = 8\mu s$  (typ.). The register bit is cleared immediately after finishing the calibration.

**Register 0x1B (PLL\_DCU):**

The PLL\_DCU register controls the operation of the delay cell calibration loop.

**Figure 9-33. Register PLL\_DCU.**



• **Bit 7 - PLL\_DCU\_START**

Manual start of delay cell calibration cycle.

**Table 9-40. PLL\_DCU\_START.**

Register Bits	Value	Description
PLL_DCU_START	0	Delay cell calibration cycle is finished
	1	Initiates delay cell calibration cycle

PLL\_DCU\_START = 1 initiates the delay cell calibration. The calibration cycle has finished after  $t_{PLL\_DCU} = 10\mu s$ . The register bit is cleared immediately after finishing the calibration.

**Register 0x11 (BATMON):**

The BATMON register configures the battery monitor to compare the supply voltage at pin 28 (EVDD) to the threshold. Additionally, the supply voltage status at pin 28 (EVDD) can be read from register bit BATMON\_OK according to the actual BATMON settings.

**Figure 9-34.** Register BATMON.

Bit	7	6	5	4	
0x11	PLL_LOCK_CP	reserved	BATMON_OK	BATMON_HR	BATMON
Read/Write	R	R/W	R	R/W	
Reset value	0	0	0	0	
Bit	3	2	1	0	
0x11	BATMON_VTH				BATMON
Read/Write	R/W	R/W	R/W	R/W	
Reset value	0	0	1	0	

- **Bit 7 - PLL\_LOCK\_CP**

The register bit PLL\_LOCK\_CP signals the current status of PLL lock comparator output.

**Table 9-41.** PLL\_LOCK\_CP.

Register Bits	Value	Description
PLL_LOCK_CP	0	PLL is currently unlocked
	1	PLL is currently locked

## 9.9 Automatic Filter Tuning (FTN)

### 9.9.1 Overview

The Atmel AT86RF212B FTN is incorporated to compensate device tolerances for temperature, supply voltage variations as well as part-to-part variations of the radio transceiver. The filter-tuning result is used to correct the analog baseband filter transfer function and the PLL loop-filter time constant, refer to [Chapter 4](#).

An FTN calibration cycle is initiated automatically when entering the TRX\_OFF state from the P\_ON, SLEEP, or RESET state.

Although receiver and transmitter are very robust against these variations, it is recommended to initiate the FTN manually if the radio transceiver does not use the SLEEP state. If necessary, a calibration cycle is to be initiated in states TRX\_OFF, PLL\_ON or RX\_ON. This applies in particular for the High Data Rate Modes with a much higher sensitivity against BPF transfer function variations. The recommended calibration interval is five minutes or less, if the AT86RF212B operates always in an active state (PLL\_ON, TX\_ARET\_ON, RX\_ON, and RX\_AACK\_ON).

### 9.9.2 Register Description

#### Register 0x18 (FTN\_CTRL):

The FTN\_CTRL register controls the operation of the filter tuning network calibration loop.

**Figure 9-35.** Register FTN\_CTRL.

Bit	7	6	5	4	
0x18	FTN_START		reserved		FTN_CTRL
Read/Write	R/W	R/W	R/W	R/W	
Reset value	0	1	0	1	
Bit	3	2	1	0	
0x18	reserved				FTN_CTRL
Read/Write	R/W	R/W	R/W	R/W	
Reset value	1	0	0	0	

- **Bit 7 - FTN\_START**

Manual start of a filter calibration cycle.

**Table 9-42.** FTN\_START.

Register Bits	Value	Description
FTN_START	0	Filter calibration is finished
	1	Initiates filter calibration cycle

FTN\_START = 1 initiates the filter tuning network calibration. When the calibration cycle has finished after  $t_{FTN} = 25\mu s$  (typ.). The register bit is cleared immediately after finishing the calibration.

## 10 Radio Transceiver Usage

This section describes basic procedures to receive and transmit frames using the Atmel AT86RF212B. For a detailed programming description refer to reference [11].

### 10.1 Frame Receive Procedure

A frame reception comprises of two actions: The transceiver listens for, receives, and demodulates the frame to the Frame Buffer and signals the reception to the microcontroller. After or during that process, the microcontroller can read the available frame data from the Frame Buffer via the SPI interface.

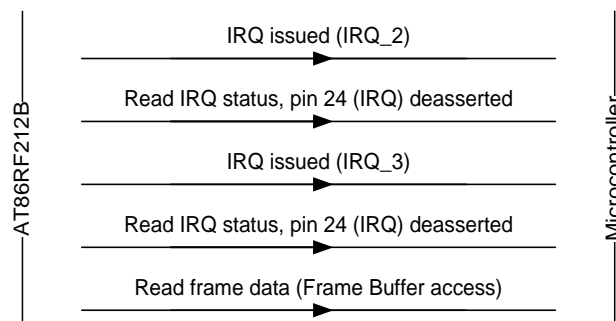
While being in state RX\_ON or RX\_AACK\_ON, the radio transceiver searches for incoming frames with the selected modulation scheme and data rate on the selected channel. Assuming the appropriate interrupts are enabled, the detection of a frame is indicated by interrupt IRQ\_2 (RX\_START). When the frame reception is completed, interrupt IRQ\_3 (TRX\_END) is issued.

Different Frame Buffer read access scenarios are recommended for:

- Non-time critical applications                      read access starts after IRQ\_3 (TRX\_END)
- Time-critical applications                         read access starts after IRQ\_2 (RX\_START)

For non-time-critical operations, it is recommended to wait for interrupt IRQ\_3 (TRX\_END) before starting a Frame Buffer read access. [Figure 10-1](#) illustrates the frame receive procedure using IRQ\_3 (TRX\_END).

**Figure 10-1.** Transactions between AT86RF212B and Microcontroller during Receive.



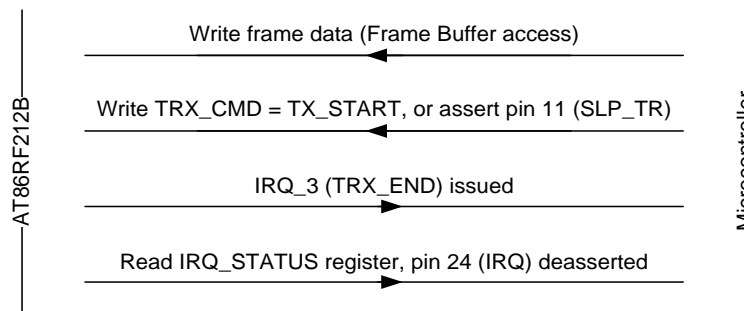
Critical protocol timing could require starting the Frame Buffer read access after interrupt IRQ\_2 (RX\_START). The first byte of the frame data can be read 32µs after the IRQ\_2 (RX\_START) interrupt. The microcontroller must ensure to read slower than the frame is received. Otherwise a Frame Buffer under run occurs, IRQ\_6 (TRX\_UR) is issued, and the frame data may be not valid. To avoid this, the Frame Buffer read access can be controlled by using a Frame Buffer Empty indicator, refer to [Section 11.6](#).

## 10.2 Frame Transmit Procedure

A frame transmission comprises of two actions, a write to Frame Buffer and the transmission of its contents. Both actions can be run in parallel if required by critical protocol timing.

Figure 10-2 illustrates the Atmel AT86RF212B frame transmit procedure, when writing and transmitting the frame consecutively. After a Frame Buffer write access, the frame transmission is initiated by asserting pin 11 (SLP\_TR) or writing command TX\_START to register bits TRX\_CMD (register 0x02, TRX\_STATE). The transceiver must be either in PLL\_ON state for basic operating mode or TX\_ARET\_ON state for extended operating mode. The completion of the transaction is indicated by interrupt IRQ\_3 (TRX\_END).

**Figure 10-2.** Transaction between AT86RF212B and Microcontroller during Transmit.

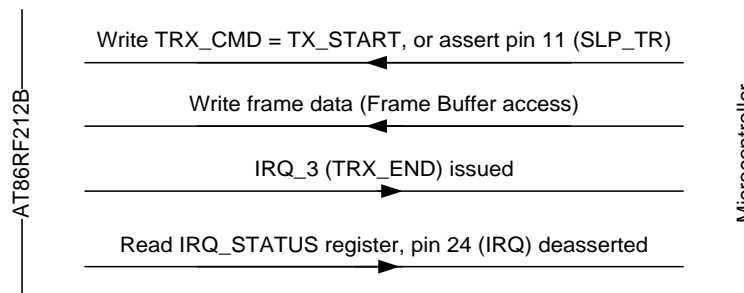


Alternatively for time critical applications when the frame start transmission time needs to be minimized, a frame transmission task can be started first. Then it can be followed by the Frame Buffer write access event (populating PSDU data). This way the data to be transmitted is needs to be written in the transmit frame buffer as the transceiver initializes and begins SHR transmission; refer to Figure 10-3.

By initiating a transmission, either by asserting pin 11 (SLP\_TR) or writing a TX\_START command to register bits TRX\_CMD (register 0x02, TRX\_STATE), the radio transceiver starts transmitting the SHR, which is internally generated.

Front end initialization takes one symbol period to settle PLL and ramp up the PA. SHR transmission takes another 40 symbol periods for BPSK or 10 symbol periods delay for O-QPSK. By this time the PHR must be available in the Frame Buffer. Furthermore, the SPI data rate must be higher than the PHY data rate to avoid a Frame Buffer underrun, which is indicated by IRQ\_6 (TRX\_UR), refer to Section 9.1.

**Figure 10-3.** Time Optimized Frame Transmit Procedure.



## 11 AT86RF212B Extended Feature Set

### 11.1 Security Module (AES)

The security module (AES) features include:

- Hardware accelerated encryption and decryption
- Compatible with AES-128 standard (128-bit key and data block size)
- ECB (encryption/decryption) mode and CBC (encryption) mode support
- Stand-alone operation, independent of other blocks

#### 11.1.1 Overview

The security module is based on an AES-128 core according to FIPS197 standard, refer to [10]. The security module works independently of other building blocks of the Atmel AT86RF212B. Encryption and decryption can be performed in parallel with a frame transmission or reception.

The control of the security block is implemented as an SRAM access to address space 0x82 to 0x94. A Fast SRAM access mode allows for simultaneous new data writes and reads of processed data within the same SPI transfer. This access procedure is used to reduce the turnaround time for ECB and CBC modes, see [Section 11.1.5](#).

In addition, the security module contains another 128-bit register to store the initial key used for security operations. This initial key is not modified by the security module.

#### 11.1.2 Security Module Preparation

The use of the security module requires a configuration of the security engine before starting a security operation. The following steps are required:

**Table 11-1.** AES Engine Configuration Steps.

Step	Description	Description	Section
1	Key Setup	Write encryption or decryption key to SRAM	<a href="#">11.1.3</a>
2	AES mode	Select AES mode: ECB or CBC Select encryption or decryption	<a href="#">11.1.4.1</a> <a href="#">11.1.4.2</a>
3	Write Data	Write plaintext or cipher text to SRAM	<a href="#">11.1.5</a>
4	Start operation	Start AES operation	
5	Read Data	Read cipher text or plaintext from SRAM	<a href="#">11.1.5</a>

Before starting any security operation, a key must be written to the security engine, refer to [Section 11.1.3](#). The key set up requires the configuration of the AES engine KEY mode using register bits AES\_MODE (SRAM address 0x83, AES\_CTRL).

The following step selects the AES mode, either electronic code book (ECB) or cipher block chaining (CBC). These modes are explained in more detail in [Section 11.1.4](#). Further, encryption or decryption must be selected with register bit AES\_DIR (SRAM address 0x83, AES\_CTRL).

After this, the 128-bit plain text or cipher text data has to be provided to the AES hardware engine. The data uses the SRAM address range 0x84 – 0x93.

An encryption or decryption is initiated with register bit `AES_REQUEST = 1` (SRAM address 0x83, that is `AES_CTRL`, or the mirrored version SRAM address 0x94, that is `AES_CTRL_MIRROR`).

The AES module control registers are only accessible using SRAM read and write accesses on address space 0x82 to 0x94. Configuring the AES mode, providing the data, and starting a decryption or encryption operation can be combined in a single SRAM access.

- Notes:
1. No additional register access is required to operate the security block.
  2. Access to the security block is not possible while the radio transceiver is in SLEEP, or RESET state.
  3. All configurations of the security module, the SRAM content, and keys are reset during RESET state.
  4. A read or write access to register 0x83 (`AES_CTRL`) during AES operation terminates the current processing.

### 11.1.3 Security Key Setup

The setup of the key is prepared by setting register bits `AES_MODE = 1` (SRAM address 0x83, `AES_CTRL`). Afterwards the 128-bit key must be written to SRAM addresses 0x84 through 0x93 (registers `AES_KEY`). It is recommended to combine the setting of control register 0x83 (`AES_CTRL`) and the 128-bit key transfer using only one SRAM access starting from address 0x83.

The address space for the 128-bit key and 128-bit data is identical from programming point of view. However, both use different pages which are selected by register bit `AES_MODE` before storing the data.

A read access to registers `AES_KEY` (0x84 – 0x93) returns the last round key of the preceding security operation. After an ECB encryption operation, this is the key that is required for the corresponding ECB decryption operation. However, the initial AES key, written to the security module in advance of an AES run, see step one in [Table 11-1](#), is not modified during the AES operation. This initial key is used for the next AES run even it cannot be read from `AES_KEY`.

- Note:
1. ECB decryption is not required for IEEE 802.15.4 or ZigBee security processing. The Atmel AT86RF212B provides this functionality as an additional feature.

### 11.1.4 Security Operation Modes

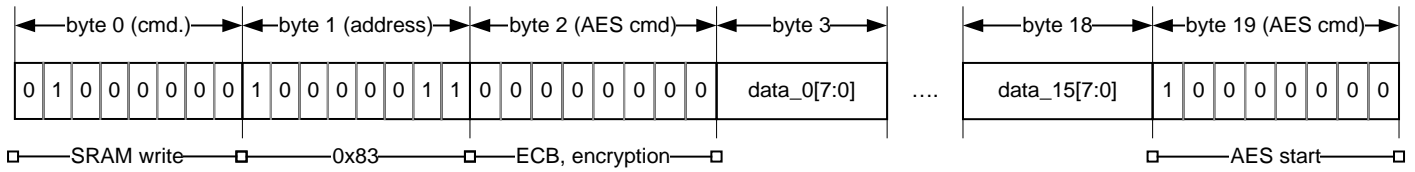
#### 11.1.4.1 Electronic Code Book (ECB)

ECB is the basic operating mode of the security module. After setting up the initial AES key, register bits `AES_MODE = 0` (SRAM address 0x83, `AES_CTRL`) sets up ECB mode. Register bit `AES_DIR` (SRAM address 0x83, `AES_CTRL`) selects the direction, either encryption or decryption. The data to be processed has to be written to SRAM addresses 0x84 through 0x93 (registers `AES_STATE`).

An example for a programming sequence is shown in [Figure 11-1](#). This example assumes a suitable key has been loaded before.

A security operation can be started within one SRAM access by appending the start command `AES_REQUEST = 1` (register 0x94, `AES_CTRL_MIRROR`) to the SPI sequence. Register `AES_CTRL_MIRROR` is a mirrored version of register 0x83 (`AES_CTRL`).

**Figure 11-1.** ECB Programming SPI Sequence – Encryption.



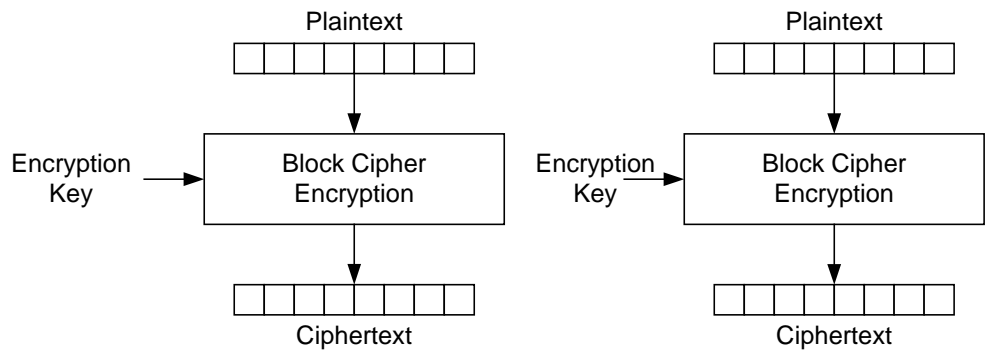
Summarizing, the following steps are required to perform a security operation using only one Atmel AT86RF212B SPI access:

- |                             |   |
|-----------------------------|---|
| 1. Configure SPI access     | a) SRAM write, refer to <a href="#">Section 6.3.3</a> |
|                             | b) Start address 0x83                                 |
| 2. Configure AES operation  | address 0x83: select ECB mode, direction              |
| 3. Write 128-bit data block | addresses 0x84 – 0x93: either plain or ciphertext     |
| 4. Start AES operation      | address 0x94: start AES operation, ECB mode           |

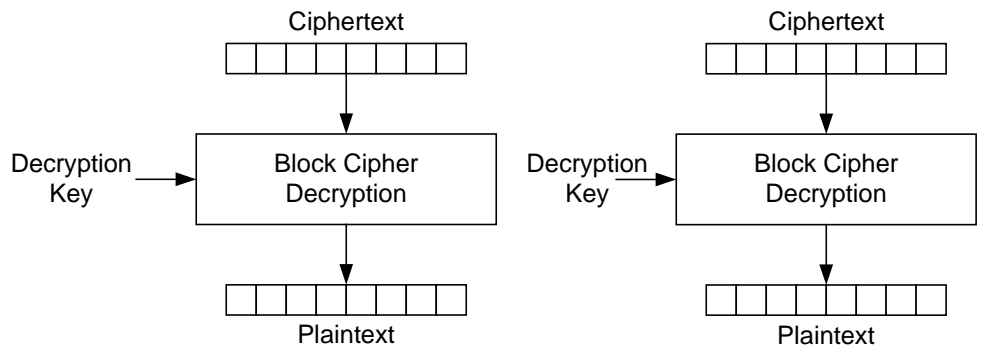
This sequence is recommended because the security operation is configured and started within one SPI transaction.

The ECB encryption operation is illustrated in [Figure 11-2](#). [Figure 11-3](#) shows the ECB decryption mode, which is supported in a similar way.

**Figure 11-2.** ECB Mode – Encryption.



**Figure 11-3.** ECB Mode – Decryption.



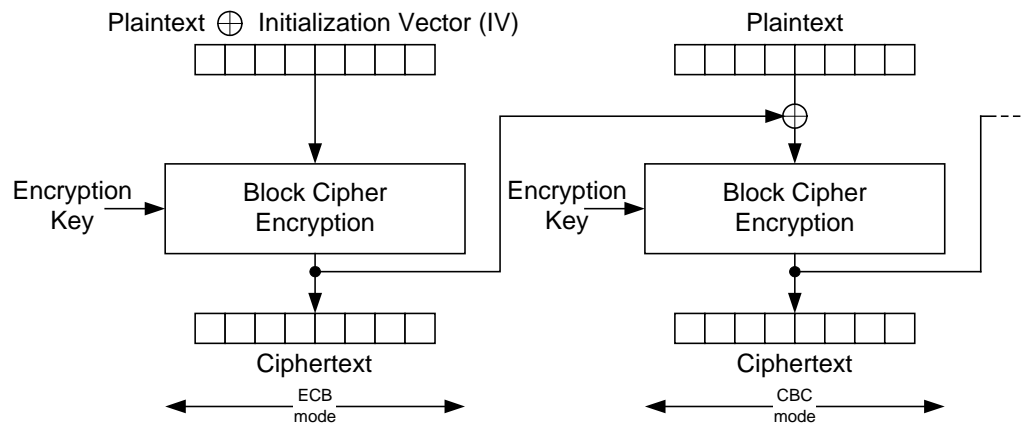
When decrypting, due to the nature of AES algorithm, the initial key to be used is not the same as the one used for encryption, but rather the last round key instead. This last round key is the content of the key address space stored after running one full encryption cycle, and must be saved for decryption. If the decryption key has not been saved, it has to be recomputed by first running a dummy encryption (of an arbitrary plaintext) using the original encryption key, then fetching the resulting round key from the key memory, and writing it back into the key memory as the decryption key.

ECB decryption is not used by either IEEE 802.15.4 or ZigBee frame security. Both of these standards do not directly encrypt the payload, but rather a nonce instead, and protect the payload by applying an XOR operation between the resulting (AES-) cipher text and the original payload. As the nonce is the same for encryption and decryption only ECB encryption is required. Decryption is performed by XORing the received cipher text with its own encryption result respectively, which results in the original plaintext payload upon success.

11.1.4.2 Cipher Block Chaining (CBC)

In CBC mode, the result of a previous AES operation is XORed with the new incoming vector forming the new plaintext to encrypt, see Figure 11-4. This mode is used for the computation of a cryptographic checksum (message integrity code, MIC).

Figure 11-4. CBC Mode – Encryption.



After preparing the AES key and defining the AES operation direction using Atmel AT86RF212B SRAM register bit AES\_DIR, the data has to be provided to the AES engine and the CBC operation can be started.

The first CBC run has to be configured as ECB to process the initial data (plaintext XORed with an initialization vector provided by the microcontroller). All succeeding AES runs are to be configured as CBC by setting register bits AES\_MODE = 2 (register 0x83, AES\_CTRL). Register bit AES\_DIR (register 0x83, AES\_CTRL) must be set to AES\_DIR = 0 to enable AES encryption. The data to be processed has to be transferred to the SRAM starting with address 0x84 to 0x93 (register AES\_STATE). Setting register bit AES\_REQUEST = 1 (register 0x94, AES\_CTRL\_MIRROR) as described in Section 11.1.4 starts the first encryption within one SRAM access. This causes the next 128 bits of plaintext data to be XORed with the previous cipher text data, see Figure 11-4.

According to IEEE 802.15.4 the input for the very first CBC operation has to be prepared by a XORing a plaintext with an initialization vector (IV). The value of the

initialization vector is zero. However, for non-compliant usage any other initialization vector can be used. This operation has to be prepared by the microcontroller.

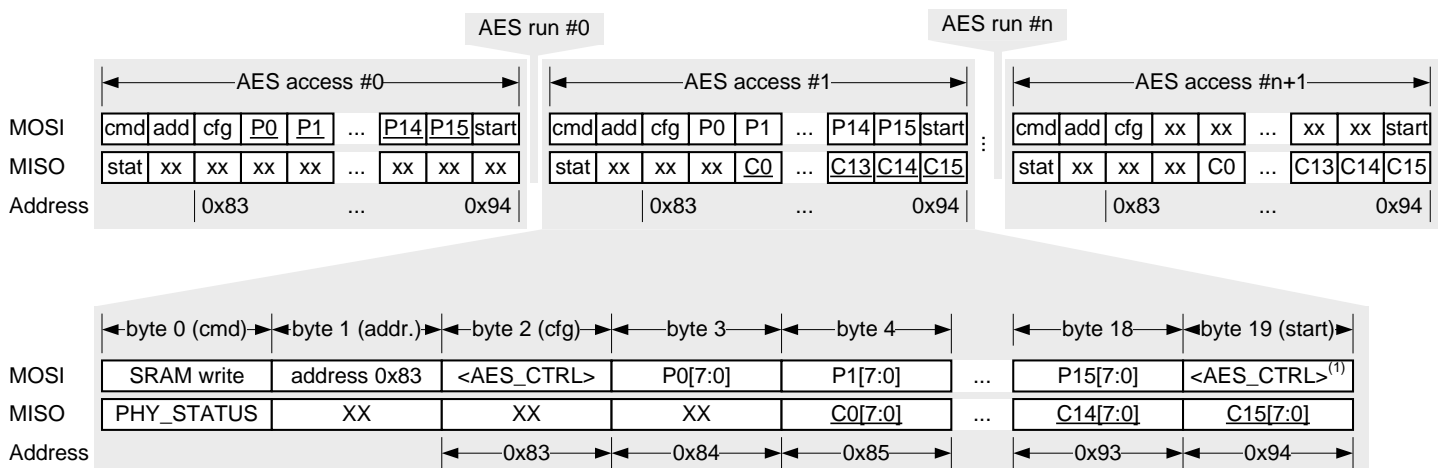
- Note: 1. The IEEE 802.15.4-2006 standard MIC algorithm requires CBC mode encryption only, as it implements a one-way hash function.

## 11.1.5 Data Transfer – Fast SRAM Access

The ECB and CBC modules including the AES core are clocked with 16MHz. One AES operation takes  $t_{AES} = 23.4\mu s$  to execute, refer to [Table 7-2](#). That means that the processing of the data is usually faster than the transfer of the data via the SPI interface.

To reduce the overall processing time, the AT86RF212B provides a Fast SRAM access for the address space 0x82 to 0x94.

**Figure 11-5. Packet Structure – Fast SRAM Access Mode.**



- Note: 1. Byte 19 is the mirrored version of register AES\_CTRL on SRAM address 0x94, see register description AES\_CTRL\_MIRROR for details.

In contrast to a standard SRAM access, refer to [Section 6.3.3](#), the Fast SRAM access allows writing and reading of data simultaneously during one SPI access for consecutive AES operations (AES run).

For each byte P0 transferred to pin 22 (MOSI) for example in “AES access #1”, see [Figure 11-5](#) (lower part), the previous content of the respective AES register C0 is clocked out at pin 20 (MISO) with an offset of one byte.

In the example shown in [Figure 11-5](#) the initial plaintext P0 – P15 is written to the SRAM within “AES access #0”. The last command on address 0x94 (AES\_CTRL\_MIRROR) starts the AES operation (“AES run #0”). In the next “AES access #1” new plaintext data P0 – P15 is written to the SRAM for the second AES run, in parallel the ciphertext C0 – C15 from the first AES run is clocked out at pin MISO. To read the ciphertext from the last “AES run #(n)” one dummy “AES access #(n+1)” is needed.

- Note: 2. The SRAM write access always overwrites the previous processing result.

The Fast SRAM access automatically applies to all write operations to SRAM addresses 0x82 to 0x94.

### 11.1.6 Start of Security Operation and Status

A security operation is started within one Atmel AT86RF212B SRAM access by appending the start command AES\_REQUEST = 1 (register 0x94, AES\_CTRL\_MIRROR) to the SPI sequence. Register AES\_CTRL\_MIRROR is a mirrored version of register 0x83 (AES\_CTRL).

The status of the security processing is indicated by register 0x82 (AES\_STATUS). After  $t_{AES} = 24\mu s$  (max.) AES processing time register bit AES\_DONE changes to one (register 0x82, AES\_STATUS) indicating that the security operation has finished.

### 11.1.7 SRAM Register Summary

The following registers are required to control the security module:

**Table 11-2.** SRAM Security Module Address Space Overview.

SRAM-Addr.	Register Name	Description
0x80 – 0x81		Reserved
0x82	AES_STATUS	AES status
0x83	AES_CTRL	Security module control, AES mode
0x84 – 0x93	AES_KEY AES_STATE	Depends on AES_MODE setting: AES_MODE = 1: - Contains AES_KEY (key) AES_MODE = 0 or 2: - Contains AES_STATE (128 bit data block)
0x94	AES_CTRL_MIRROR	Mirror of register 0x83 (AES_CTRL)
0x95 – 0xFF		Reserved

These registers are only accessible using SRAM write and read; for details, refer to [Section 6.3.3](#).

### 11.1.8 Register Description

#### Register 0x82 (AES\_STATUS):

The read-only register AES\_STATUS signals the status of the security module and operation.

**Figure 11-6.** Register AES\_STATUS.

Bit	7	6	5	4	
0x82	AES_ER	reserved			AES_STATUS
Read/Write	R	R	R	R	
Reset value	0	0	0	0	
Bit	3	2	1	0	
0x82	reserved			AES_DONE	AES_STATUS
Read/Write	R	R	R	R	
Reset value	0	0	0	0	

• **Bit 7 - AES\_ER**

This SRAM register bit indicates an error of the AES module. An error may occur for instance after an access to SRAM register 0x83 (AES\_CTRL) while an AES operation is running or after reading less than 128-bits from SRAM register space 0x84 – 0x93 (AES\_STATE).

**Table 11-3. AES\_ER.**

Register Bits	Value	Description
AES_ER	0	No error of the AES module
	1	AES module error

• **Bit 0 - AES\_DONE**

The bit AES\_DONE signals the status of AES operation.

**Table 11-4. AES\_DONE.**

Register Bits	Value	Description
AES_DONE	0	AES operation has not been completed
	1	AES operation has been completed

**Register 0x83 (AES\_CTRL):**

The AES\_CTRL register controls the operation of the security module.

**Figure 11-7. Register AES\_CTRL.**

Bit	7	6	5	4	
0x83	AES_REQUEST		AES_MODE		AES_CTRL
Read/Write	W	R/W	R/W	R/W	
Reset value	0	0	0	0	
Bit	3	2	1	0	
0x83	AES_DIR		reserved		AES_CTRL
Read/Write	R/W	R	R	R	
Reset value	0	0	0	0	

- Notes:
1. Do not access this register during AES operation to read the AES core status. A read or write access during AES operation stops the actual processing.
  2. To read the AES status use register bit AES\_DONE (register 0x82, AES\_STATUS).

• **Bit 7 - AES\_REQUEST**

A write access with AES\_REQUEST = 1 initiates the AES operation.

**Table 11-5. AES\_REQUEST.**

Register Bits	Value	Description
AES_REQUEST	0	Security module, AES core idle
	1	A write access starts the AES operation

- **Bit 6:4 - AES\_MODE**

This register bit sets the AES operation mode.

**Table 11-6. AES\_MODE.**

Register Bits	Value	Description
AES_MODE	0	ECB mode
	1	KEY mode
	2	CBC mode
		All other values are reserved

- **Bit 3 - AES\_DIR**

The register bit AES\_DIR sets the AES operation direction, either encryption or decryption.

**Table 11-7. AES\_DIR.**

Register Bits	Value	Description
AES_DIR	0	AES encryption (ECB, CBC)
	1	AES decryption (ECB)

**Register 0x94 (AES\_CTRL\_MIRROR):**

Register 0x94 is a mirrored version of register 0x83 (AES\_CTRL), for details refer to register 0x83 (AES\_CTRL).

This register could be used to start a security operation within a single SRAM access by appending it to the data stream and setting register bit AES\_REQUEST = 1.

## 11.2 Random Number Generator

### 11.2.1 Overview

The Atmel AT86RF212B incorporates a two bit truly random number generator by observation of noise. This random number can be used to:

- Generate random seeds for CSMA-CA algorithm see [Section 7.2](#)
- Generate random values for AES key generation see [Section 11.1](#)

Random numbers are stored in register bits RND\_VALUE (register 0x06, PHY\_RSSI). The random number is updated at every read access in Basic Operating Mode receive states (RX\_ON, BUSY\_RX). The Random Number Generator does not work if the preamble detector is disabled (RX\_PDT\_DIS = 1, refer to [Section 9.2.4](#)).

### 11.2.2 Register Description

#### Register 0x06 (PHY\_RSSI):

The PHY\_RSSI register is a multi-purpose register that indicates FCS validity, to provide random numbers, and a RSSI value.

**Figure 11-8.** Register PHY\_RSSI.

Bit	7	6	5	4	
0x06	RX_CRC_VALID	RND_VALUE		RSSI	PHY_RSSI
Read/Write	R	R	R	R	
Reset value	0	0	0	0	
Bit	3	2	1	0	
0x06	RSSI				PHY_RSSI
Read/Write	R	R	R	R	
Reset value	0	0	0	0	

#### • Bit 6:5 - RND\_VALUE

The 2-bit random value can be retrieved by reading register bits RND\_VALUE.

**Table 11-8.** RND\_VALUE.

Register Bits	Value	Description
RND_VALUE	<u>0</u>	Deliver two bit noise value within receive state. Valid values are [3, 2, ..., 0].

Note: 1. The radio transceiver shall be in Basic Operating Mode receive state.

## 11.3 Antenna Diversity

The Antenna Diversity implementation is characterized by:

- Improves signal path robustness between nodes
- Atmel AT86RF212B self-contained TX antenna diversity algorithm
- Direct register based antenna selection

### 11.3.1 Overview

Due to multipath propagation effects between network nodes, the receive signal strength may vary and affect the link quality, even for small variance of the antenna location. These fading effects can result in an increased error floor or loss of the connection between devices.

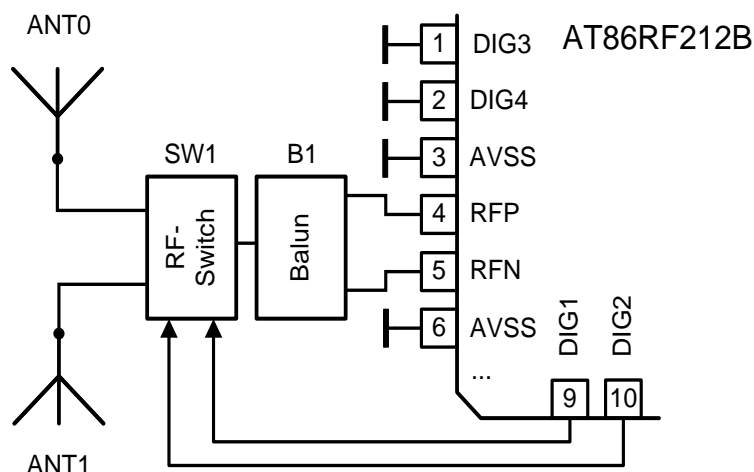
To improve the reliability of an RF connection between network nodes Antenna Diversity can be applied to reduce effects of multipath propagation and fading. Antenna Diversity uses two antennas to select the most reliable RF signal path. To ensure highly independent receive signals on both antennas, the antennas should be carefully separated from each other.

The AT86RF212B supports PHY controlled antenna diversity in TX\_aret mode and software controlled antenna diversity (that is the microcontroller controls which antenna is used for transmission and reception) in Basic and Extended Operating Modes.

### 11.3.2 Antenna Diversity Application Example

A block diagram for an application using an antenna switch is shown in [Figure 11-9](#).

**Figure 11-9.** Antenna Diversity – Block Diagram.



Generally, when the external RF-Switch (SW1) is to be controlled by antenna diversity algorithm, the antenna diversity enable must be activated by register bit ANT\_EXT\_SW\_EN (register 0x0D, ANT\_DIV). Then the digital control pins pin 9 (DIG1) and pin 10 (DIG2) are enabled (refer to [Section 1.3](#)) to drive the antenna switch control signals to the differential inputs of the RF Switch (SW1) to switch between ANT0 and ANT1.

## 11.3.3 Register Description

### Register 0x0D (ANT\_DIV):

The ANT\_DIV register controls Antenna Diversity.

**Figure 11-10.** Register ANT\_DIV.

Bit	7	6	5	4	
0x0D	ANT_SEL		reserved		ANT_DIV
Read/Write	R	R	R	R	
Reset value	0	0	0	0	
Bit	3	2	1	0	
0x0D	ANT_DIV_EN	ANT_EXT_SW_EN	ANT_CTRL		ANT_DIV
Read/Write	R/W	R/W	R/W	R/W	
Reset value	0	0	0	1	

- **Bit 7 - ANT\_SEL**

Signals status of antenna at the time of the last IRQ\_2 (RX\_START) interrupt, IRQ\_3 (TRX\_END) interrupt, or TX\_START event.

**Table 11-9.** ANT\_SEL.

Register Bits	Value	Description
ANT_SEL	0	Antenna 0
	1	Antenna 1

The register bit signals the status of the selected antenna at the time of the last IRQ\_2 (RX\_START) interrupt, IRQ\_3 (TRX\_END) interrupt, or TX\_START event. This information can be used to build up a history of the antenna used for successful transmission (indicated by an acknowledgement frame) in TX\_ARET mode.

- **Bit 3 - ANT\_DIV\_EN**

The register bit ANT\_DIV\_EN controls TX antenna diversity.

**Table 11-10.** ANT\_DIV\_EN.

Register Bits	Value	Description
ANT_DIV_EN	0	TX antenna diversity is disabled
	1	TX antenna diversity is enabled

If set to one, antenna diversity is enabled in TX\_ARET mode with expected ACK reply, refer to [Section 7.2.4](#). The transceiver automatically selects the antenna with the aim to minimize the number of retransmissions.

- **Bit 2 - ANT\_EXT\_SW\_EN**

The register bit ANT\_EXT\_SW\_EN controls the external antenna switch.

**Table 11-11.** ANT\_EXT\_SW\_EN.

Register Bits	Value	Description
ANT_EXT_SW_EN	0	Antenna Diversity RF switch control is disabled
	1	Antenna Diversity RF switch control is enabled

If enabled, pin 9 (DIG1) and pin 10 (DIG2) become output pins and provide a differential control signal for an antenna diversity switch. The selection of an antenna within

TX\_aret mode is done automatically if ANT\_DIV\_EN = 1, or, if ANT\_DIV\_EN = 0, according to register bits ANT\_CTRL.

If RX Frame Time Stamping (refer to [Section 11.5](#)) is used in combination with Antenna Diversity, pin 9 (DIG1) is used for Antenna Diversity and pin 10 (DIG2) is used for RX Frame Time Stamping. Atmel AT86RF212B does not provide a differential control signal in this case, see [Figure 5-2](#).

If the register bit is set, the control pins DIG1/DIG2 are activated in all radio transceiver states as long as register bit ANT\_EXT\_SW\_EN is set. If the AT86RF212B is not in a receive or transmit state, it is recommended to disable register bit ANT\_EXT\_SW\_EN to reduce the power consumption or avoid leakage current of an external RF switch, especially during SLEEP state. If register bit ANT\_EXT\_SW\_EN = 0, output pins DIG1 and DIG2 are internally connected to digital ground.

- **Bit 1:0 - ANT\_CTRL**

These register bits provide a static control of an Antenna Diversity switch.

**Table 11-12. ANT\_CTRL.**

Register Bits	Value	Description
ANT_CTRL	1	Antenna 0 DIG1 = L DIG2 = H
	2	Antenna 1 DIG1 = H DIG2 = L
		All other values are reserved

These register bits provide a static control of an Antenna Diversity switch if ANT\_DIV\_EN = 0 and ANT\_EXT\_SW\_EN = 1. Although it is possible to change register bits ANT\_CTRL in state TRX\_OFF, this change will be effective at pin 9 (DIG1) and pin 10 (DIG2) in states PLL\_ON and RX\_ON.

## 11.4 RX/TX Indicator

The main features are:

- RX/TX indicator to control an external RF front-end
- Microcontroller independent RF front-end control
- Providing TX timing information

### 11.4.1 Overview

While IEEE 802.15.4 is targeting low cost and low power applications, solutions supporting higher transmit output power are occasionally desirable. To simplify the control of an optional external RF front-end, a differential control pin pair can indicate that the Atmel AT86RF212B is currently in transmit mode.

The control of an external RF front-end is done via digital control pins DIG3/DIG4. The function of this pin pair is enabled with register bit PA\_EXT\_EN (register 0x04, TRX\_CTRL\_1). While the transmitter is turned off, pin 1 (DIG3) is set to low level and pin 2 (DIG4) to high level. If the radio transceiver starts to transmit, the two pins change the polarity. This differential pin pair can be used to control PA, LNA, and RF switches.

If the AT86RF212B is not in a receive or transmit state, it is recommended to disable register bit PA\_EXT\_EN (register 0x04, TRX\_CTRL\_1) to reduce the power consumption or avoid leakage current of external RF switches and other building blocks, especially during SLEEP state. If register bits PA\_EXT\_EN = 0, output pins DIG3/DIG4 are pulled-down to analog ground.

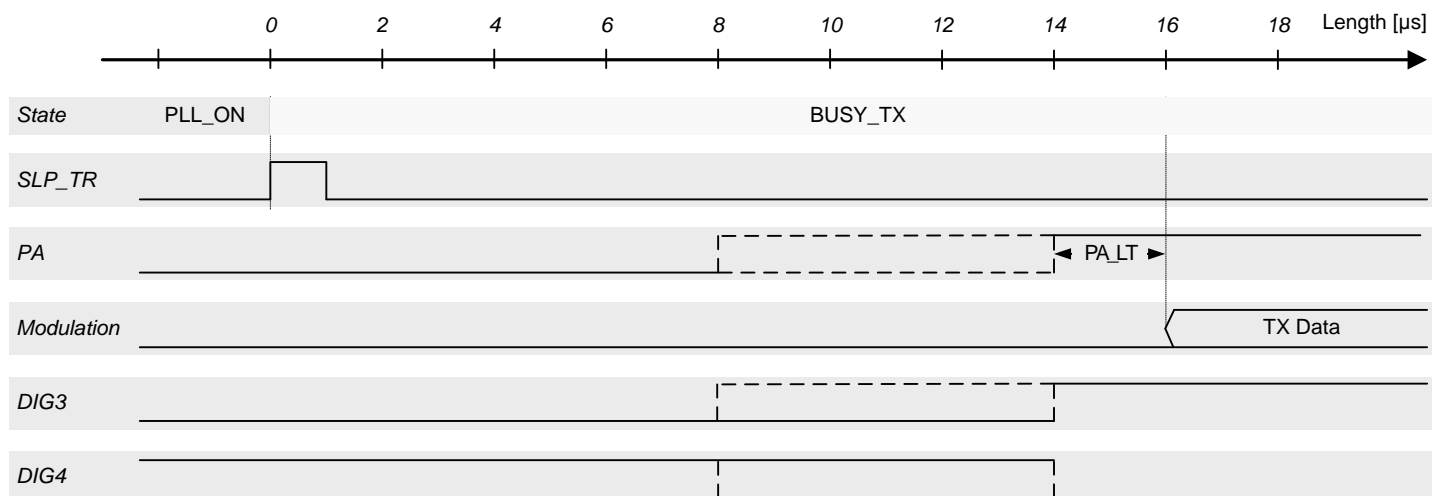
### 11.4.2 External RF-Front End Control

When using an external RF front-end including a power amplifier (PA), it may be required to adjust the setup time of the external PA relative to the internal building blocks to optimize the overall power spectral density (PSD) mask.

The start-up sequence of the individual building blocks of the internal transmitter is shown in [Figure 11-11](#) where transmission is actually initiated by the rising edge of pin 11 (SLP\_TR). The radio transceiver state changes from PLL\_ON to BUSY\_TX and the PLL settles to the transmit frequency within one symbol period. The modulation starts one symbol period after the rising edge of SLP\_TR. During this time, the internal PA is initialized.

The control of the external PA is done via the differential pin pair DIG3/DIG4. DIG3 = H / DIG4 = L indicates that the transmission starts and can be used to enable the external PA. The timing of pins DIG3/DIG4 can be adjusted relative to the start of the frame using register bits PA\_LT (register 0x16, RF\_CTRL\_0). For details, refer to [Section 9.3.5](#).

**Figure 11-11.** TX Power Up Ramping Control of RF Front-End for 250kb/s O-QPSK mode.



### 11.4.3 Register Description

#### Register 0x04 (TRX\_CTRL\_1):

The TRX\_CTRL\_1 register is a multi-purpose register to control various operating modes and settings of the radio transceiver.

**Figure 11-12.** Register TRX\_CTRL\_1.

Bit	7	6	5	4	
0x04	PA_EXT_EN	IRQ_2_EXT_EN	TX_AUTO_CRC_ON	RX_BL_CTRL	TRX_CTRL_1
Read/Write	R/W	R/W	R/W	R/W	
Reset value	0	0	1	0	
Bit	3	2	1	0	
0x04	SPI_CMD_MODE		IRQ_MASK_MODE	IRQ_POLARITY	TRX_CTRL_1
Read/Write	R/W	R/W	R/W	R/W	
Reset value	0	0	0	0	

- **Bit 7 – PA\_EXT\_EN**

This register bit PA\_EXT\_EN enables pin 1 (DIG3) and pin 2 (DIG4) to indicate the transmit state of the radio transceiver.

**Table 11-13.** RF Front-End Control Pins.

PA_EXT_EN	State	Pin	Value	Description
0	n/a	DIG3	L	External RF front-end control disabled
		DIG4	L	
1 <sup>(1)</sup>	TX_BUSY	DIG3	H	External RF front-end control enabled
		DIG4	L	
	Other	DIG3	L	
		DIG4	H	

Note: 1. It is recommended to set PA\_EXT\_EN = 1 only in receive or transmit states to reduce the power consumption or avoid leakage current of external RF switches or other building blocks, especially during SLEEP state.

## 11.5 RX Frame Time Stamping

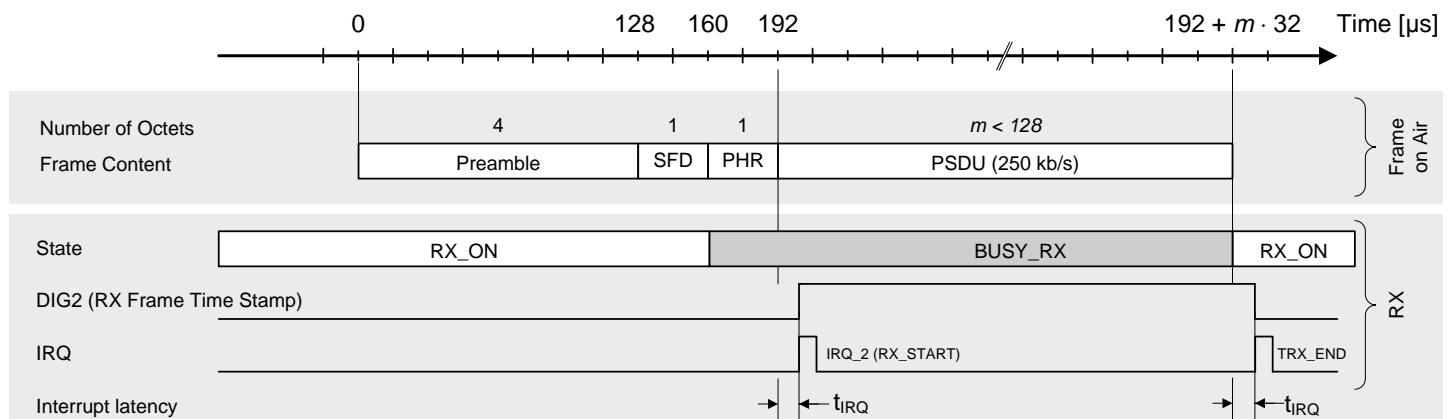
### 11.5.1 Overview

To determine the exact timing of an incoming frame, for example for beaconing networks, the reception of this frame can be signaled to the microcontroller via Atmel AT86RF212B pin 10 (DIG2). The pin turns from L to H after detection of a valid PHR. When enabled, DIG2 is set to DIG2 = H at the same time as IRQ\_2 (RX\_START) occurs, even if IRQ\_2 (RX\_START) is disabled. The pin remains high for the length of the frame receive procedure, see Figure 11-13.

This function is enabled with register bit IRQ\_2\_EXT\_EN (register 0x04, TRX\_CTRL\_1). Pin 10 (DIG2) can be connected to a timer capture unit of the microcontroller.

If this pin is not used for RX Frame Time Stamping, it can be configured for Antenna Diversity, refer to Section 11.3. Otherwise, this pin is internally connected to ground.

**Figure 11-13.** Timing of RX\_START and DIG2 for RX Frame Time Stamping within 250kb/s O-QPSK mode.



Note: 1. Timing figures  $t_{IRQ}$  refer to Section 12.4.

### 11.5.2 Register Description

#### Register 0x04 (TRX\_CTRL\_1):

The TRX\_CTRL\_1 register is a multi-purpose register to control various operating modes and settings of the radio transceiver.

**Figure 11-14.** Register TRX\_CTRL\_1.

Bit	7	6	5	4	
0x04	PA_EXT_EN	IRQ_2_EXT_EN	TX_AUTO_CRC_ON	RX_BL_CTRL	TRX_CTRL_1
Read/Write	R/W	R/W	R/W	R/W	
Reset value	0	0	1	0	
Bit	3	2	1	0	
0x04	SPI_CMD_MODE		IRQ_MASK_MODE	IRQ_POLARITY	TRX_CTRL_1
Read/Write	R/W	R/W	R/W	R/W	
Reset value	0	0	0	0	

- **Bit 6 - IRQ\_2\_EXT\_EN**

The register bit IRQ\_2\_EXT\_EN controls external signaling for time stamping via pin 10 (DIG2).

**Table 11-14.** IRQ\_2\_EXT\_EN.

Register Bits	Value	Description
IRQ_2_EXT_EN	0	Time stamping over pin 10 (DIG2) is disabled
	1 <sup>(1)</sup>	Time stamping over pin 10 (DIG2) is enabled

Note: 1. The pin 10 (DIG2) is also active if the corresponding interrupt event IRQ\_2 (RX\_START) mask bit in register 0x0E (IRQ\_MASK) is set to zero.

If this register bit is set, the RX Frame Time Stamping Mode is enabled. An incoming frame with a valid PHR is signaled via pin 10 (DIG2). The pin remains at high level until the end of the frame receive procedure, see [Figure 11-13](#).

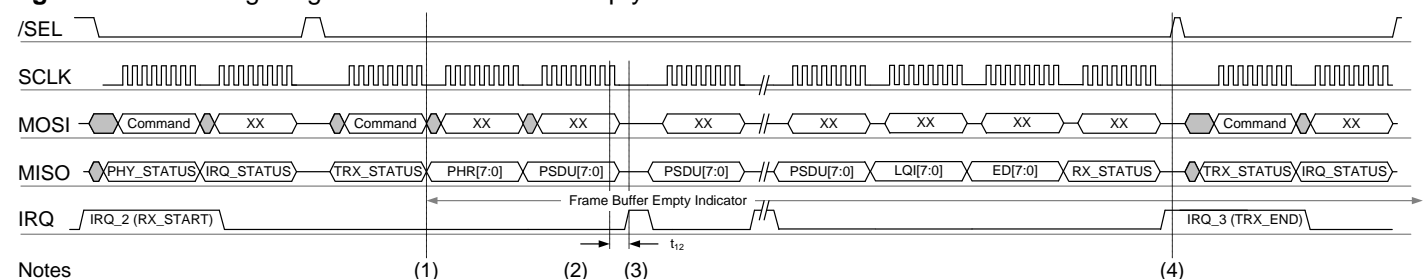
## 11.6 Frame Buffer Empty Indicator

### 11.6.1 Overview

For time critical applications that want to start reading the frame data as early as possible, the Atmel AT86RF212B Frame Buffer status can be indicated to the microcontroller through a dedicated pin. This pin indicates to the microcontroller if an access to the Frame Buffer is not possible since valid PSDU data are missing.

Pin 24 (IRQ) can be configured as a Frame Buffer Empty Indicator during a Frame Buffer read access. This mode is enabled by register bit RX\_BL\_CTRL (register 0x04, TRX\_CTRL\_1). The IRQ pin turns into Frame Buffer Empty Indicator after the Frame Buffer read access command, see note (1) in Figure 11-15, has been transferred on the SPI bus until the Frame Buffer read procedure has finished indicated by /SEL = H, see note (4).

Figure 11-15. Timing Diagram of Frame Buffer Empty Indicator.



- Notes:
1. Timing figure  $t_{12}$  refer to Section 12.4.
  2. A Frame Buffer read access can proceed as long as pin 24 (IRQ) = L.
  3. Pin IRQ = H indicates that the Frame Buffer is currently not ready for another SPI cycle.
  4. The Frame Buffer read procedure has finished indicated by /SEL = H.

The microcontroller has to observe the IRQ pin during the Frame Buffer read procedure. A Frame Buffer read access can proceed as long as pin 24 (IRQ) = L, see note (2). When the IRQ output pin is pulled high (IRQ = H), the Frame Buffer is not ready for another SPI cycle, see note (3) above. The read operation can be resumed as the IRQ output pin is pulled low again (IRQ = L) to indicate new data in the buffer.

On Frame Buffer read access, three more byte are transferred via MISO after PHR and PSDU data, namely LQI, ED, and RX\_STATUS; refer to Section 6.3.2. Because these bytes are appended and physically not stored in the frame buffer, they are ignored for Frame Buffer empty indication.

The Frame Buffer Empty Indicator pin 24 (IRQ) becomes valid after  $t_{12} = 750\text{ns}$  starting from the last SCLK rising edge while reading a Frame Buffer command byte, see figure above.

Upon completing the SPI frame data receive task, SPI read access can be disabled by pulling /SEL = H, note (4). At this time the IRQ output pin 24 (IRQ) can be used as an output to flag pending interrupts to the processor.

If during the Frame Buffer read access a receive error occurs (for example an PLL unlock), the Frame Buffer Empty Indicator locks on 'empty' (pin 24 (IRQ) = H) too. To prevent possible deadlocks, the microcontroller should impose a timeout counter that checks whether the Frame Buffer Empty Indicator remains logic high for more than two

octet periods. A new byte must have been arrived at the frame buffer during that period. If not, the Frame Buffer read access should be aborted.

## 11.6.2 Register Description

### Register 0x04 (TRX\_CTRL\_1):

The TRX\_CTRL\_1 register is a multi-purpose register to control various operating modes and settings of the radio transceiver.

**Figure 11-16.** Register TRX\_CTRL\_1.

Bit	7	6	5	4	
0x04	PA_EXT_EN	IRQ_2_EXT_EN	TX_AUTO_CRC_ON	RX_BL_CTRL	TRX_CTRL_1
Read/Write	R/W	R/W	R/W	R/W	
Reset value	0	0	1	0	
Bit	3	2	1	0	
0x04	SPI_CMD_MODE		IRQ_MASK_MODE	IRQ_POLARITY	TRX_CTRL_1
Read/Write	R/W	R/W	R/W	R/W	
Reset value	0	0	0	0	

- **Bit 4 - RX\_BL\_CTRL**

The register bit RX\_BL\_CTRL controls the Frame Buffer Empty Indicator.

**Table 11-15.** RX\_BL\_CTRL.

Register Bits	Value	Description
RX_BL_CTRL	0	Frame Buffer Empty Indicator disabled
	1	Frame Buffer Empty Indicator enabled

Note: 1. A modification of register bit IRQ\_POLARITY has no influence to RX\_BL\_CTRL behavior.

If this register bit is set, the Frame Buffer Empty Indicator is enabled. After sending a Frame Buffer read command (refer to [Section 6.3](#)), pin 24 (IRQ) indicates that an access to the Frame Buffer is not possible since PSDU data are not available yet.

The pin 24 (IRQ) does not indicate any interrupts during this time.

## 11.7 Dynamic Frame Buffer Protection

### 11.7.1 Overview

The Atmel AT86RF212B continues the reception of incoming frames as long as it is in any receive state. When a frame was successfully received and stored into the Frame Buffer, the following frame will overwrite the Frame Buffer content again.

To relax the timing requirements for a Frame Buffer read access the Dynamic Frame Buffer Protection prevents that a new valid frame passes to the Frame Buffer until a Frame Buffer read access has ended (indicated by /SEL = H, refer to [Section 6.3](#)).

A received frame is automatically protected against overwriting:

- in Basic Operating Mode, if its FCS is valid
- in Extended Operating Mode, if an IRQ\_3 (TRX\_END) is generated.

The Dynamic Frame Buffer Protection is enabled with RX\_SAFE\_MODE (register 0x0C, TRX\_CTRL\_2) set and applicable in transceiver states RX\_ON and RX\_AACK\_ON.

- Note:
1. The Dynamic Frame Buffer Protection only prevents write accesses from the air interface – not from the SPI interface. A Frame Buffer or SRAM write access may still modify the Frame Buffer content.

### 11.7.2 Register Description

#### Register 0x0C (TRX\_CTRL\_2):

The TRX\_CTRL\_2 register is a multi-purpose control register to control various settings of the radio transceiver.

**Figure 11-17.** Register TRX\_CTRL\_2.

Bit	7	6	5	4	
0x0C	RX_SAFE_MODE	TRX_OFF_AVDD_EN	OQPSK_SCRAM_EN	ALT_SPECTRUM	TRX_CTRL_2
Read/Write	R/W	R/W	R/W	R/W	
Reset value	0	0	1	0	
Bit	3	2	1	0	
0x0C	BPSK_OQPSK	SUB_MODE	OQPSK_DATA_RATE		TRX_CTRL_2
Read/Write	R/W	R/W	R/W	R/W	
Reset value	0	1	0	0	

#### • Bit 7 - RX\_SAFE\_MODE

Protect Frame Buffer after frame reception with valid FCF check.

**Table 11-16.** RX\_SAFE\_MODE.

Register Bits	Value	Description
RX_SAFE_MODE	0	Disable Dynamic Frame Buffer protection
	1 <sup>(1)</sup>	Enable Dynamic Frame Buffer protection

- Note:
1. Dynamic Frame Buffer Protection is released on the rising edge of pin 23 (/SEL) during a Frame Buffer read access, or on the radio transceiver's state change from RX\_ON or RX\_AACK\_ON to another state.

This operation mode is independent of the setting of register bits RX\_PDT\_LEVEL, (register 0x15, RX\_SYN), refer to [Section 9.2.4](#).

## 11.8 Alternate Start-Of-Frame Delimiter

### 11.8.1 Overview

The SFD (start of frame delimiter) is a field indicating the end of the SHR and the start of the packet data. The length of the SFD is one octet (eight symbols for BPSK and two symbols for O-QPSK). The octet is used for byte synchronization only and is not included in the Atmel AT86RF212B Frame Buffer.

The value of the SFD can be changed if it is needed to operate in non-IEEE 802.15.4 compliant networks. A node with a non-standard SFD value cannot synchronize with any of the IEEE 802.15.4 network nodes.

Due to the way the SHR is formed, it is not recommended to set the low-order four bits to zero. The LSB of the SFD is transmitted first, that is right after the last bit of the preamble sequence.

### 11.8.2 Register Description

#### Register 0x0B (SFD\_VALUE):

The SFD\_VALUE register contains the one octet start-of-frame delimiter (SFD).

**Figure 11-18.** Register SFD\_VALUE.

Bit	7	6	5	4	
0x0B	SFD_VALUE				SFD_VALUE
Read/Write	R/W	R/W	R/W	R/W	
Reset value	1	0	1	0	
Bit	3	2	1	0	
0x0B	SFD_VALUE				SFD_VALUE
Read/Write	R/W	R/W	R/W	R/W	
Reset value	0	1	1	1	

- **Bit 7:0 - SFD\_VALUE**

The register bits SFD\_VALUE are required for transmit and receive operation.

**Table 11-17.** SFD\_VALUE.

Register Bits	Value	Description
SFD_VALUE	0xA7	For transmission this value is copied into start-of-frame delimiter (SFD) field of frame header. For reception this value is checked for incoming frames. The default value is according to IEEE 802.15.4 specification.

For IEEE 802.15.4 compliant networks, set SFD\_VALUE = 0xA7 as specified in [2]. This is the default value of the register.

To establish non IEEE 802.15.4 compliant networks, the SFD value can be changed to any other value. If enabled, IRQ\_2 (RX\_START) is issued only if the received SFD matches SFD\_VALUE and a valid PHR is received.

## 12 Electrical Characteristics

### 12.1 Absolute Maximum Ratings

Note: Stresses beyond those listed under “Absolute Maximum Ratings” may cause permanent damage to the device. This is a stress rating only and functional operation of the device at these or any other conditions beyond those indicated in the operational sections of this specification are not implied. Exposure to absolute maximum rating conditions for extended periods may affect device reliability.

Symbol	Parameter	Condition	Min.	Typ.	Max.	Unit
T <sub>STOR</sub>	Storage temperature		-50		150	°C
T <sub>LEAD</sub>	Lead temperature	T = 10s (soldering profile compliant with IPC/JEDEC J STD 020B)			260	°C
V <sub>ESD</sub>	ESD robustness	Human Body Model (HBM) [8], Charged Device Model (CDM) [9]		6 1250		kV V
P <sub>RF</sub>	Input RF level				+10	dBm
V <sub>DIG</sub>	Voltage on all pins (except pins 4, 5, 13, 14, 29)		-0.3		V <sub>DD</sub> +0.3	V
V <sub>ANA</sub>	Voltage on pins 4, 5, 13, 14, 29		-0.3		2.0	V



**Caution!** ESD sensitive device.

Precaution should be used when handling the device in order to prevent permanent damage.

### 12.2 Recommended Operating Range

Symbol	Parameter	Condition	Min.	Typ.	Max.	Unit
T <sub>OP</sub>	Operating temperature range		-40	+25	+85	°C
V <sub>DD</sub>	Supply voltage	Voltage on pins 15, 28 <sup>(1)</sup>	1.8	3.0	3.6	V
V <sub>DD1.8</sub>	Supply voltage (on pins 13, 14, 29)	External voltage supply <sup>(2)</sup>	1.7	1.8	1.9	V

- Notes:
1. Even if an implementation uses the external 1.8V voltage supply V<sub>DD1.8</sub> it is required to connect V<sub>DD</sub>.
  2. Register 0x10 (VREG\_CTRL) needs to be programmed to disable internal voltage regulators and supply blocks by an external 1.8V supply, refer to Section 9.5.

## 12.3 Digital Pin Characteristics

Test Conditions:  $T_{OP} = +25^{\circ}\text{C}$  (unless otherwise stated).

Symbol	Parameter	Condition	Min.	Typ.	Max.	Unit
$V_{IH}$	High level input voltage <sup>(1)</sup>		$V_{DD}-0.4$			V
$V_{IL}$	Low level input voltage <sup>(1)</sup>				0.4	V
$V_{OH}$	High level output voltage <sup>(1)</sup>		$V_{DD}-0.4$			V
$V_{OL}$	Low level output voltage <sup>(1)</sup>				0.4	V
$C_{Load}$	Capacitive load <sup>(1)</sup>			50		pF

Note: 1. The capacitive load  $C_{Load}$  should not be larger than 50pF for all I/Os. Generally, large load capacitances increase the overall current consumption.

## 12.4 Digital Interface Timing Characteristics

Test Conditions:  $T_{OP} = +25^{\circ}\text{C}$ ,  $V_{DD} = 3.0\text{V}$ ,  $C_{Load} = 50\text{pF}$  (unless otherwise stated).

Symbol	Parameter	Condition	Min.	Typ.	Max.	Unit
$f_{sync}$	SCLK frequency	Synchronous operation			8	MHz
$f_{async}$	SCLK frequency	Asynchronous operation			7.5	MHz
$t_1$	/SEL falling edge to MISO active				180	ns
$t_2$	SCLK falling edge to MISO out	Data hold time	25			ns
$t_3$	MOSI setup time		10			ns
$t_4$	MOSI hold time		10			ns
$t_5$	LSB last byte to MSB next byte		250 <sup>(1)</sup>			ns
$t_6$	/SEL rising edge to MISO tri state				10	ns
$t_7$	SLP_TR pulse width	TX start trigger	62.5		Note <sup>(2)</sup>	ns
$t_8$	SPI idle time: SEL rising to falling edge	SPI read/write, standard SRAM and frame access modes Idle time between consecutive SPI accesses	250			ns
$t_{8a}$	SPI idle time: SEL rising to falling edge	Fast SRAM read/write access mode Idle time between consecutive SPI accesses	500			ns
$t_9$	SCLK rising edge LSB to /SEL rising edge			250		ns
$t_{10}$	Reset pulse width	$\geq 10$ clock cycles at 16MHz	625			ns
$t_{11}$	SPI access latency after reset	$\geq 10$ clock cycles at 16MHz	625			ns
$t_{12}$	Dynamic frame buffer protection: IRQ latency			750		ns
$t_{IRQ}$	IRQ_2, IRQ_3, IRQ_4 latency	Relative to the event to be indicated		9		$\mu\text{s}$
$f_{CLKM}$	Output clock frequency at pin 17 (CLKM)	Configurable in register 0x03 CLKM_CTRL = 0 CLKM_CTRL = 1 CLKM_CTRL = 2		0 1 2		MHz MHz MHz

Symbol	Parameter	Condition	Min.	Typ.	Max.	Unit
		CLKM_CTRL = 3		4		MHz
		CLKM_CTRL = 4		8		MHz
		CLKM_CTRL = 5		16		MHz
		CLKM_CTRL = 6		250		kHz
		CLKM_CTRL = 7 <sup>(3)</sup>		20.0		kHz
		CLKM_CTRL = 7 <sup>(4)</sup>		40.0		kHz
		CLKM_CTRL = 7 <sup>(5)</sup>		25.0		kHz
		CLKM_CTRL = 7 <sup>(6)</sup>		62.5		kHz

- Notes:
1. For Fast SRAM read/write accesses on address space 0x82 – 0x94 the time  $t_5(\text{Min.})$  and  $t_8(\text{Min.})$  increases to 500ns.
  2. Maximum pulse width less than (TX frame length + 16 $\mu$ s).
  3. 1/50MHz; Only in BPSK mode with  $f_{\text{PSDU}} = 20\text{kb/s}$ .
  4. 1/25MHz; Only in BPSK mode with  $f_{\text{PSDU}} = 40\text{kb/s}$ .
  5. 1/40MHz; Only in O-QPSK mode with  $f_{\text{PSDU}} = 100/200/400\text{kb/s}$ .
  6. 1/16MHz; Only in O-QPSK mode with  $f_{\text{PSDU}} = 250/500/1000\text{kb/s}$ .

## 12.5 General RF Specifications

Test Conditions (unless otherwise stated):

$V_{DD} = 3.0V$ ,  $f_{RF} = 914MHz$ ,  $T_{OP} = +25^{\circ}C$ , Measurement setup see [Figure 5-1](#).

Symbol	Parameter	Condition	Min.	Typ.	Max.	Unit
$f_{RF}$	Frequency range	As specified in [1]	868.3	914	924	MHz
		1MHz spacing	769		935	MHz
		100kHz spacing	769.0		794.5	MHz
		100kHz spacing	857.0		882.5	MHz
		100kHz spacing	902.0		928.5	MHz
$f_{CH}$	Channel spacing	As specified in [1] except CHANNEL = 0		2		MHz
		1MHz spacing		1000		kHz
		100kHz spacing		100		kHz
$f_{CHIP}$	Chip rate	BPSK as specified in [1] <sup>(1)</sup>		300		kchip/s
		BPSK as specified in [1] <sup>(2)</sup>		600		kchip/s
		O-QPSK as specified in [2] <sup>(1)</sup>		400		kchip/s
		O-QPSK as specified in [2], [3] <sup>(2)</sup>		1000		kchip/s
$f_{HDR}$	Header bit rate (SHR, PHR)	BPSK as specified in [1] <sup>(1)</sup>		20		kb/s
		BPSK as specified in [1] <sup>(2)</sup>		40		kb/s
		O-QPSK as specified in [2] <sup>(1)</sup>		100		kb/s
		O-QPSK as specified in [2], [3] <sup>(2)</sup>		250		kb/s
$f_{PSDU}$	PSDU bit rate	BPSK as specified in [1] <sup>(1)</sup>		20		kb/s
		BPSK as specified in [1] <sup>(2)</sup>		40		kb/s
		O-QPSK as specified in [2] <sup>(1)</sup>		100		kb/s
		O-QPSK as specified in [2], [3] <sup>(2)</sup>		250		kb/s
		OQPSK_DATA_RATE = 1 <sup>(1)</sup>		200		kb/s
		OQPSK_DATA_RATE = 2 <sup>(1)</sup>		400		kb/s
		OQPSK_DATA_RATE = 1 <sup>(2)</sup>		500		kb/s
		OQPSK_DATA_RATE = 2 <sup>(2)</sup>		1000		kb/s
$f_{CLK}$	Crystal oscillator frequency	Reference oscillator		16		MHz
$f_{SRD}$	Symbol rate deviation Reference frequency accuracy for correct functionality	PSDU bit rate 20/40/100/250kb/s	-60 <sup>(3)</sup>		+60	ppm
		200/400/500/1000kb/s	-40		+40	ppm

- Notes:
1. For register bit SUB\_MODE = 0 (register 0x0C, TRX\_CTRL\_2).
  2. For register bit SUB\_MODE = 1 (register 0x0C, TRX\_CTRL\_2).
  3. A reference frequency accuracy of  $\pm 40ppm$  is required by [1], [2], [3], [4].

## 12.6 Transmitter Characteristics

Test Conditions (unless otherwise stated):

$V_{DD} = 3.0V$ ,  $f_{RF} = 914MHz$ ,  $T_{OP} = +25^{\circ}C$ , Measurement setup see [Figure 5-1](#).

Symbol	Parameter	Condition	Min.	Typ.	Max.	Unit
P <sub>TX_MAX</sub>	TX Output power	Maximum configurable TX output power value				
		Normal mode		+5		dBm
		Boost mode		+10	+11	dBm
P <sub>RANGE</sub>	Output power range	36 steps, configurable in register 0x05 (PHY_TX_PWR)		35		dB
P <sub>ACC</sub>	Output power tolerance	868.3MHz			±3	dB
P <sub>1dB</sub>	1dB compression point	Normal mode		5		dBm
		Boost mode		10		dBm
EVM	Error vector magnitude <sup>(1)</sup>	BPSK-20		5		%rms
		BPSK-40		8		%rms
		BPSK-40-ALT		8		%rms
		OQPSK-SIN-RC-100 <sup>(2)(3)</sup>		29		%rms
		OQPSK-SIN-250		16		%rms
		OQPSK-RC-100 <sup>(3)</sup>		10		%rms
		OQPSK-RC-250		10		%rms
P <sub>2nd_HARM</sub>	2 <sup>nd</sup> Harmonics <sup>(4)</sup>	TX power: +10dBm				
		914MHz		-27		dBm
		868.3MHz		-26		dBm
		782MHz		-28		dBm
		TX power: -2dBm				
		914MHz		-53		dBm
		868.3MHz		-46		dBm
782MHz		-42		dBm		
P <sub>3rd_HARM</sub>	3 <sup>rd</sup> Harmonics <sup>(4)</sup>	TX power: +10dBm				
		914MHz		-22		dBm
		868.3MHz		-22		dBm
		782MHz		-23		dBm
		TX power: -2dBm				
		914MHz		-38		dBm
		868.3MHz		-38		dBm
782MHz		-37		dBm		
P <sub>SPUR_TX</sub>	Spurious Emissions <sup>(5)</sup>	30 – ≤ 1000MHz			-36	dBm
		>1 – 12.75GHz			-30	dBm

Notes: 1. Power settings according to Table 9-15.

2. The EVM of OQPSK-SIN-RC-100 is significantly higher than the EVM of the other modulation schemes. This phenomenon can be explained by the fact that the combination of SIN and RC shaping as specified in IEEE 802.15.4-2006/2011 inherently show some inter-chip interference.

3. The EVM is valid up to +5dBm.

4. Measured single ended @ RFP/ RFN into 50Ω; termination of the other pin with 50Ω; constant wave signal.
5. Complies with EN 300 220, FCC-CFR-47 part 15, ARIB STD-108, RSS-210.

## 12.7 Receiver Characteristics

Test Conditions (unless otherwise stated):

$V_{DD} = 3.0V$ ,  $f_{RF} = 914MHz$ ,  $T_{OP} = +25^{\circ}C$ , Measurement setup see [Figure 5-1](#).

Symbol	Parameter	Condition	Min.	Typ.	Max.	Unit
$P_{SENS}$	Receiver sensitivity	$f_{RF} = 868.3MHz$ BPSK-20 <sup>(1)(3)</sup>		-110		dBm
		OQPSK-SIN-RC-100 <sup>(1)(4)</sup>		-101		dBm
		OQPSK-SIN-RC-200 <sup>(2)</sup>		-99		dBm
		OQPSK-SIN-RC-400 <sup>(2)</sup>		-91		dBm
		OQPSK-RC-100 <sup>(1)</sup>		-102		dBm
		OQPSK-RC-200 <sup>(2)</sup>		-100		dBm
		OQPSK-RC-400 <sup>(2)</sup>		-97		dBm
		$f_{RF} = 914MHz$ BPSK-40 <sup>(1)(3)</sup>		-108		dBm
		OQPSK-SIN-250 <sup>(1)(4)</sup>		-100		dBm
		OQPSK-SIN-500 <sup>(2)</sup>		-98		dBm
		OQPSK-SIN-1000 <sup>(2)</sup>		-93		dBm
		$f_{RF} = 782MHz$ OQPSK-RC-250 <sup>(1)(5)</sup>		-101		dBm
		OQPSK-RC-500 <sup>(2)</sup>		-99		dBm
		OQPSK-RC-1000 <sup>(2)</sup>		-95		dBm
$RL_{RX}$	RX Return loss	100Ω differential impedance		12		dB
NF	Noise figure			7		dB
$P_{RX\_MAX}$	Maximum RX input level <sup>(1)</sup>			7	10	dBm
$P_{CRSB20}$	Channel rejection/selectivity: BPSK-20 <sup>(3)</sup>	$f_{RF} = 868.3MHz$ $P_{RF} = -89dBm$ <sup>(1)</sup> -2MHz		39		dB
		-1MHz		33		dB
		+1MHz		19		dB
		+2MHz		39		dB
$P_{CRSO100}$	Channel rejection/selectivity: OQPSK-SIN-RC-100 <sup>(4)</sup>	$f_{RF} = 868.3MHz$ $P_{RF} = -82dBm$ <sup>(1)</sup> -2MHz		35		dB
		-1MHz		24		dB
		+1MHz		17		dB
		+2MHz		35		dB
$P_{ACRB40}$	Adjacent channel rejection: BPSK-40 <sup>(3)</sup>	$P_{RF} = -89dBm$ <sup>(1)</sup> -2MHz		38		dB

Symbol	Parameter	Condition	Min.	Typ.	Max.	Unit
		+2MHz		38		dB
P <sub>AACRB40</sub>	Alternate channel rejection: BPSK-40 <sup>(3)</sup>	P <sub>RF</sub> = -89dBm <sup>(1)</sup>				
		-4MHz		56		dB
		+4MHz		56		dB
P <sub>ACROS250</sub>	Adjacent channel rejection: OQPSK-SIN-250 <sup>(4)</sup>	P <sub>RF</sub> = -82dBm <sup>(1)</sup>				
		-2MHz		30 <sup>(6)</sup>		dB
		+2MHz		30 <sup>(6)</sup>		dB
P <sub>AACROS250</sub>	Alternate channel rejection: OQPSK-SIN-250 <sup>(4)</sup>	P <sub>RF</sub> = -82dBm <sup>(1)</sup>				
		-4MHz		47 <sup>(6)</sup>		dB
		+4MHz		47 <sup>(6)</sup>		dB
P <sub>ACROR250</sub>	Adjacent channel rejection: OQPSK-RC-250 <sup>(5)</sup>	P <sub>RF</sub> = -82dBm <sup>(1)</sup>				
		-2MHz		32		dB
		+2MHz		32		dB
P <sub>AACROR250</sub>	Alternate channel rejection: OQPSK-RC-250 <sup>(5)</sup>	P <sub>RF</sub> = -82dBm <sup>(1)</sup>				
		-4MHz		50		dB
		+4MHz		50		dB
RX <sub>BL</sub>	Blocking	f <sub>RF</sub> = 868.3MHz				
		Refer to ETSI EN 300 220-1				
		P <sub>RF</sub> = -90dBm <sup>(1)</sup>				
		BPSK-20, ±2MHz		38		dB
		BPSK-20, ±10MHz		71		dB
P <sub>SPUR_RX</sub>	Spurious emissions	LO leakage		-71		dBm
		30 – ≤ 1000MHz			-57	dBm
		>1 – 12.75GHz			-47	dBm
IIP3	3 <sup>rd</sup> – order intercept point	868.3MHz, at maximum gain Offset freq. interf. 1 = 2MHz Offset freq. interf. 2 = 4MHz		-12		dBm
IIP2	2 <sup>nd</sup> – order intercept point	868.3MHz, at maximum gain Offset freq. interf. 1 = 3MHz Offset freq. interf. 2 = 4MHz		25		dBm
RSSI <sub>TOL</sub>	RSSI tolerance	Tolerance within gain step			±6	dB
RSSI <sub>RANGE</sub>	RSSI dynamic range			87		dB
RSSI <sub>RES</sub>	RSSI resolution			3.1		dB
RSSI <sub>BASE_VAL</sub>	RSSI sensitivity	Defined as RSSI_BASE_VAL				
		BPSK with 300kchips/s		-100		dBm
		BPSK with 600kchips/s		-99		dBm
		O-QPSK with 400kchips/s, SIN and RC-0.2 shaping		-98		dBm
		O-QPSK with 400kchips/s, RC-0.2 shaping		-98		dBm
		O-QPSK with 1000kchips/s, SIN shaping		-98		dBm

Symbol	Parameter	Condition	Min.	Typ.	Max.	Unit
		O-QPSK with 1000kchips/s, RC-0.8 shaping		-97		dBm
RSSI <sub>MIN</sub>	Minimum RSSI value	$P_{RF} \leq \text{RSSI\_BASE\_VAL}$		0		
RSSI <sub>MAX</sub>	Maximum RSSI value	$P_{RF} \geq \text{RSSI\_BASE\_VAL} + 87\text{dB}$		28		

- Notes:
1. AWGN channel, PER  $\leq$  1%, PSDU length 20 octets.
  2. AWGN channel, PER  $\leq$  1%, PSDU length 127 octets.
  3. Compliant to [1].
  4. Compliant to [2].
  5. Compliant to [4].
  6. Channel rejection is limited by modulation side lobes of interfering signal.

## 12.8 Current Consumption Specifications

Test Conditions (unless otherwise stated):

$V_{DD} = 3.0V$ ,  $f_{RF} = 914MHz$ ,  $T_{OP} = +25^{\circ}C$ , Measurement setup see [Figure 5-1](#).

Symbol	Parameter	Condition	Min.	Typ.	Max.	Unit
$I_{BUSY\_TX}$	Supply current transmit state	North American band, O-QPSK modulation				
		$P_{TX} = +10dBm$ (boost mode)		26.5		mA
		$P_{TX} = +5dBm$ (normal mode)		18.0		mA
		$P_{TX} = +0dBm$ (normal mode)		13.5		mA
$I_{RX\_ON}$	Supply current RX_ON state	North American band, O-QPSK modulation				
		high sensitivity $RX\_PDT\_LEVEL = [0x0]$		9.2		mA
		receiver desensitize $RX\_PDT\_LEVEL = [0x1, \dots, 0xE, 0xF]^{(1)}$		8.7		mA
$I_{PLL\_ON}$	Supply current PLL_ON state			5.0		mA
$I_{TRX\_OFF}$	Supply current TRX_OFF state			450		$\mu A$
$I_{SLEEP}$	Supply current SLEEP state			0.2		$\mu A$

- Notes: 1. Refer to Section 9.2.3.  
 2. All power consumption measurements are performed with CLKM disabled.

## 12.9 Crystal Parameter Requirements

Test Conditions:  $T_{OP} = +25^{\circ}C$ ,  $V_{DD} = 3.0V$  (unless otherwise stated).

Symbol	Parameter	Condition	Min.	Typ.	Max.	Unit
$f_0$	Crystal frequency			16		MHz
$C_L$	Load capacitance		8		14	pF
$C_0$	Crystal shunt capacitance				7	pF
ESR	Equivalent series resistance				100	$\Omega$

## 13 Typical Characteristics

### 13.1 Active Supply Current

The following charts showing each a typical behavior of the Atmel AT86RF212B. These figures are not tested during manufacturing. All power consumption measurements are performed with pin 17 (CLKM) disabled, unless otherwise stated. The measurement setup used for the measurements is shown in [Figure 5-1](#).

The power consumption of the microcontroller, which is required to program the radio transceiver, is not included in the measurement results.

The power consumption in SLEEP state is independent from CLKM master clock rate selection.

The current consumption depends on several factors such as: operating voltage, operating frequency, loading of I/O pins, switching rate of I/O pins, and ambient temperature. The dominating factors are operating voltage and ambient temperature.

If possible the measurement results are not affected by current drawn from I/O pins. Register, SRAM or Frame Buffer read or write accesses are not performed during current consumption measurements.

#### 13.1.1 P\_ON and TRX\_OFF states

**Figure 13-1.** Current Consumption in P\_ON State.

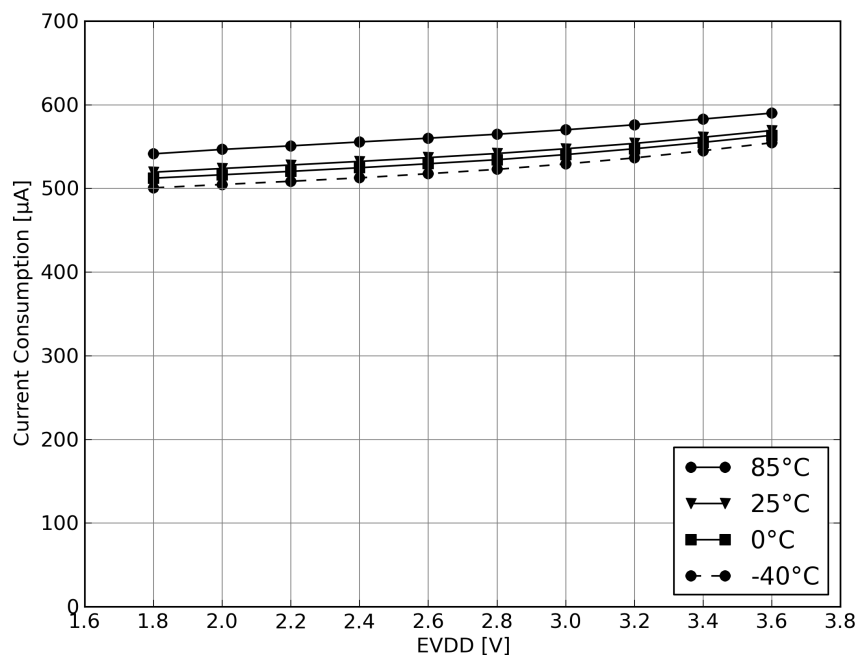
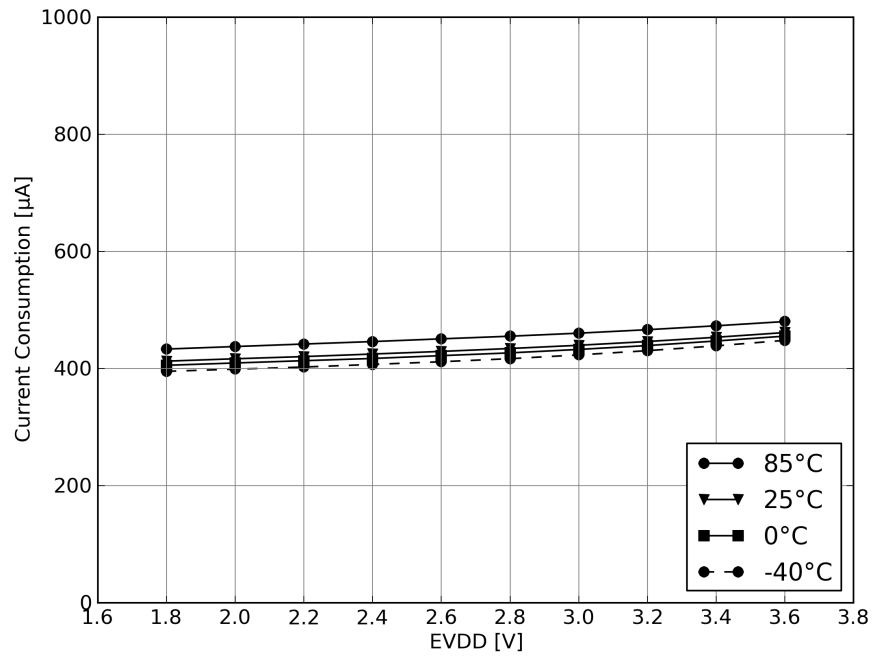
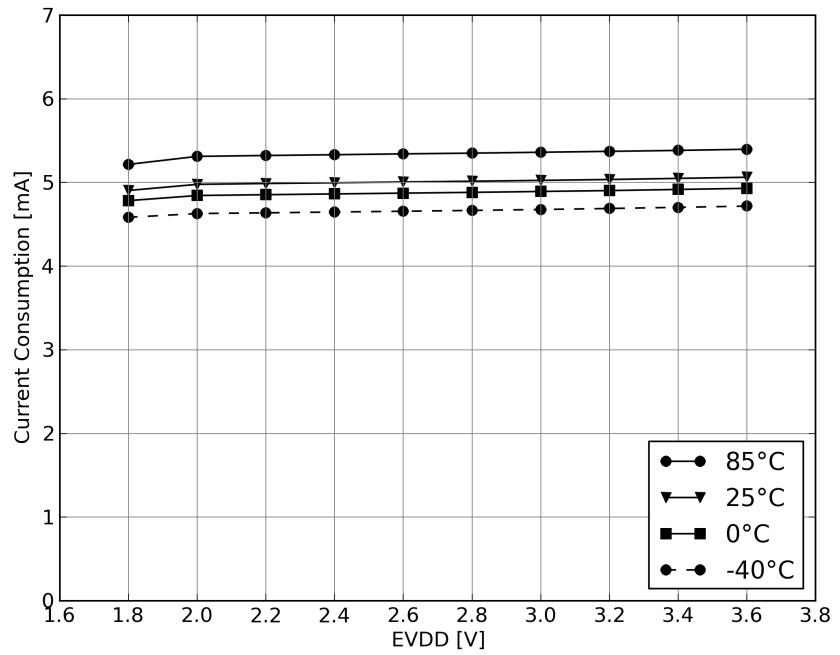


Figure 13-2. Current Consumption in TRX\_OFF State.



13.1.2 PLL\_ON state

Figure 13-3. Current Consumption in PLL\_ON State.



13.1.3 RX\_ON state

Figure 13-4. Current Consumption in RX\_ON State – High Sensitivity.

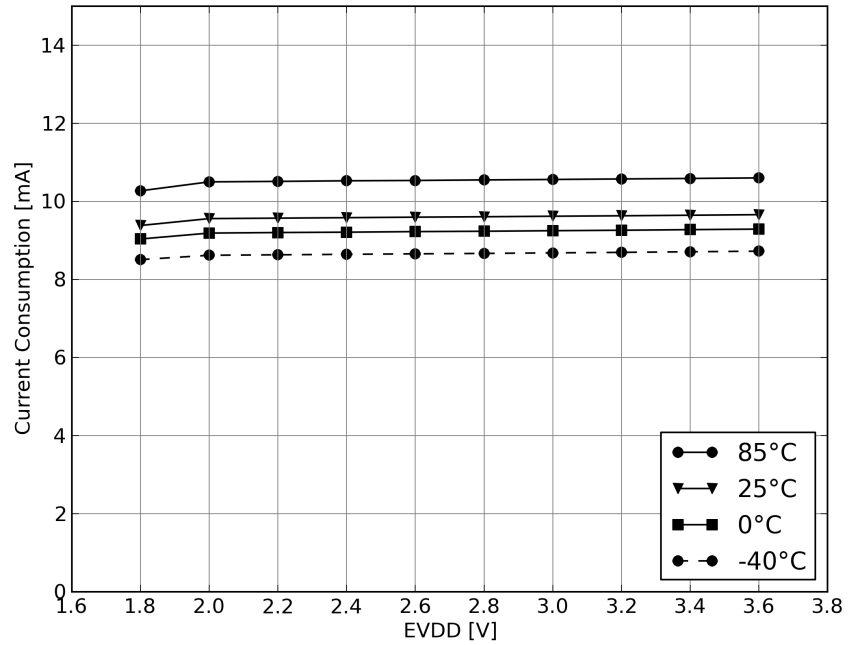


Figure 13-5. Current Consumption in RX\_ON State – High Input Level.

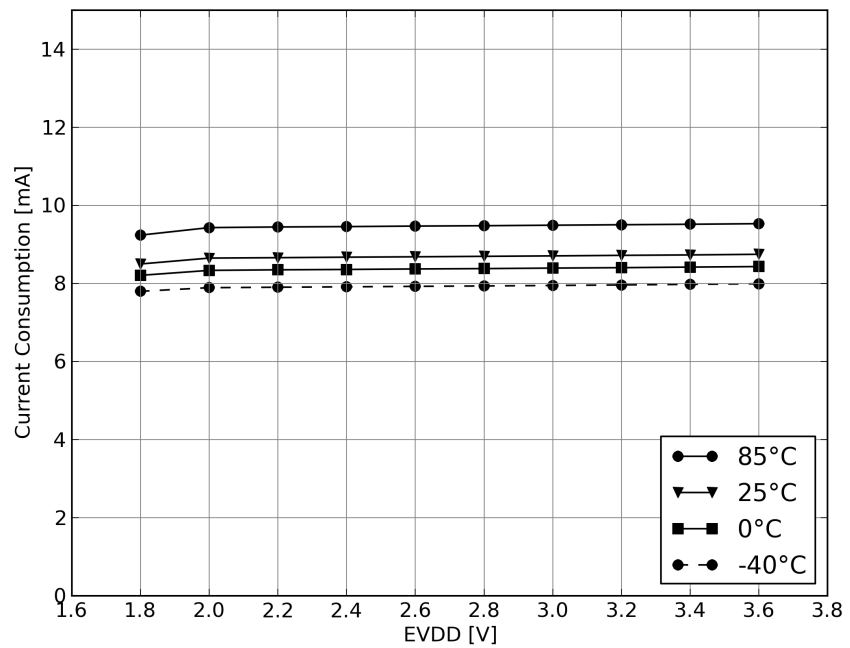
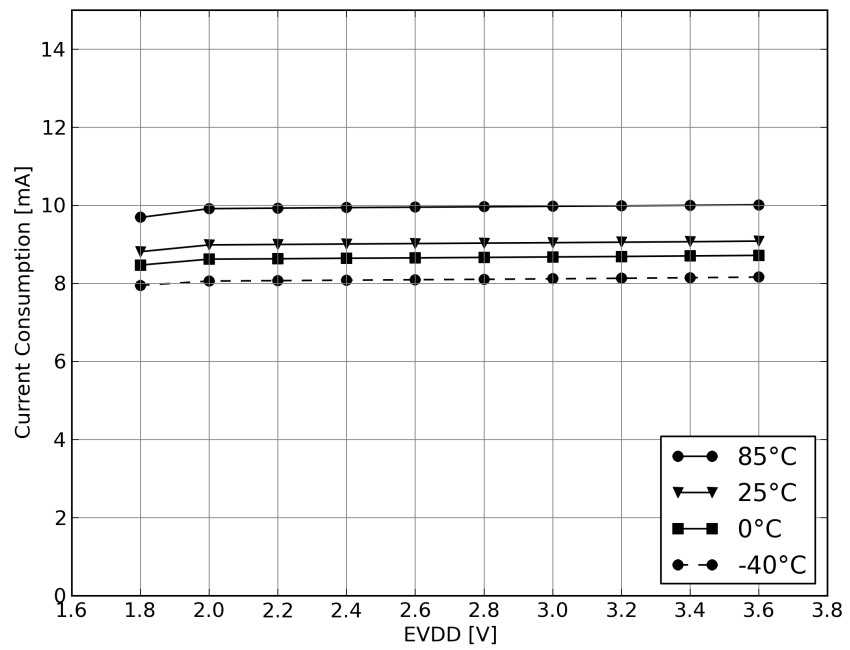


Figure 13-6. Current Consumption in RX\_ON State – Reduced Sensitivity.



13.1.4 TX\_BUSY state

Figure 13-7. Current Consumption in TX\_BUSY State – Minimum Output Power.

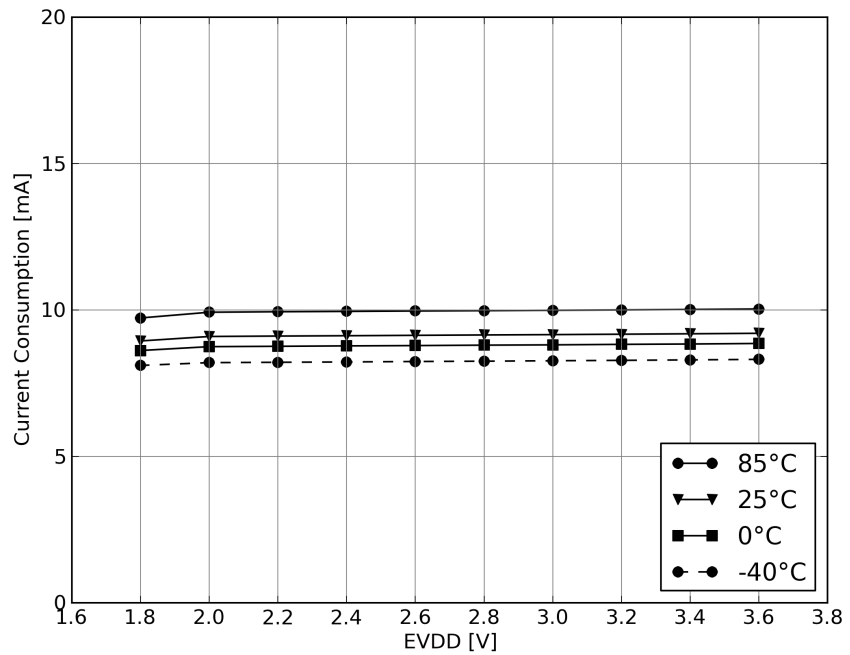


Figure 13-8. Current Consumption in TX\_BUSY State – Output Power 0dBm.

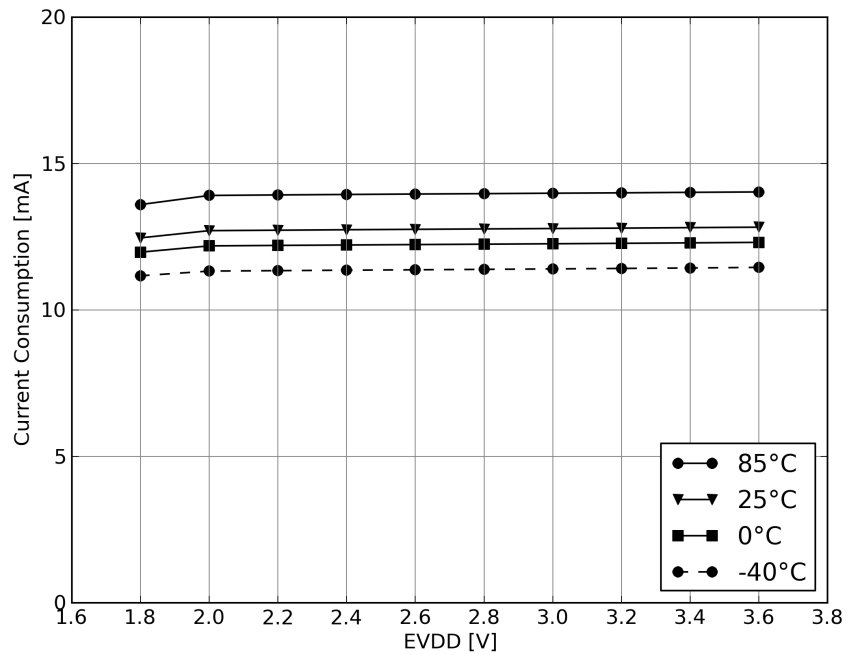


Figure 13-9. Current Consumption in TX\_BUSY State – Output Power 5dBm.

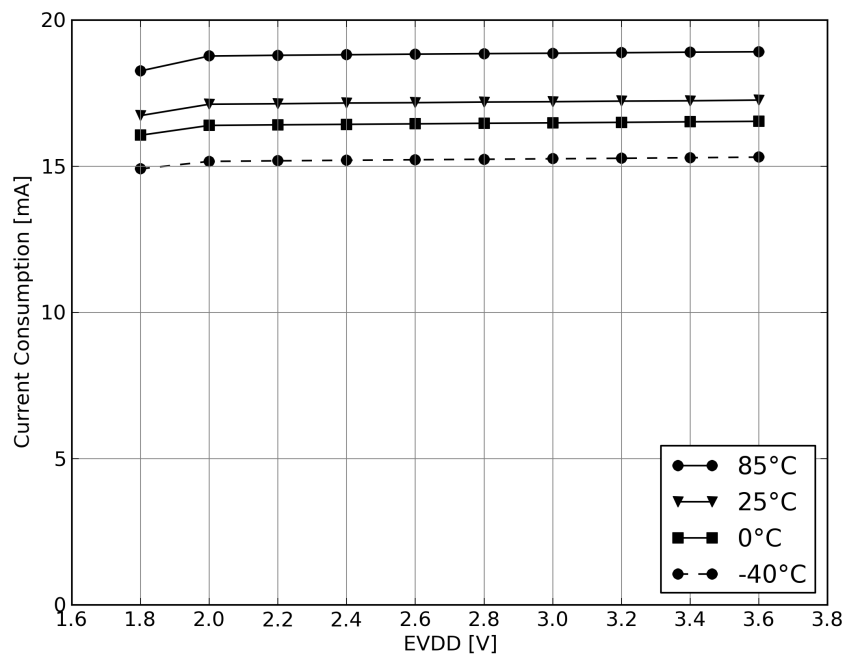
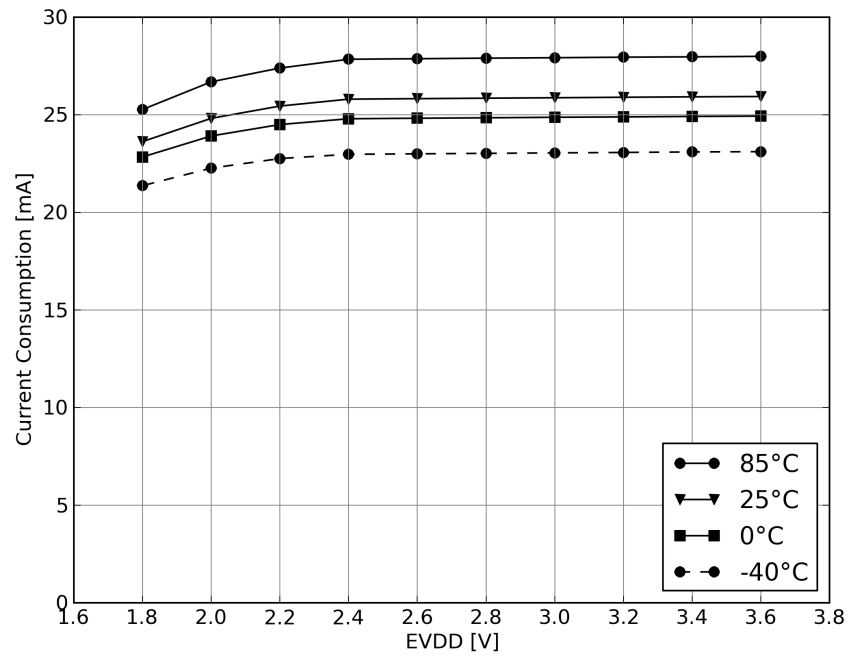
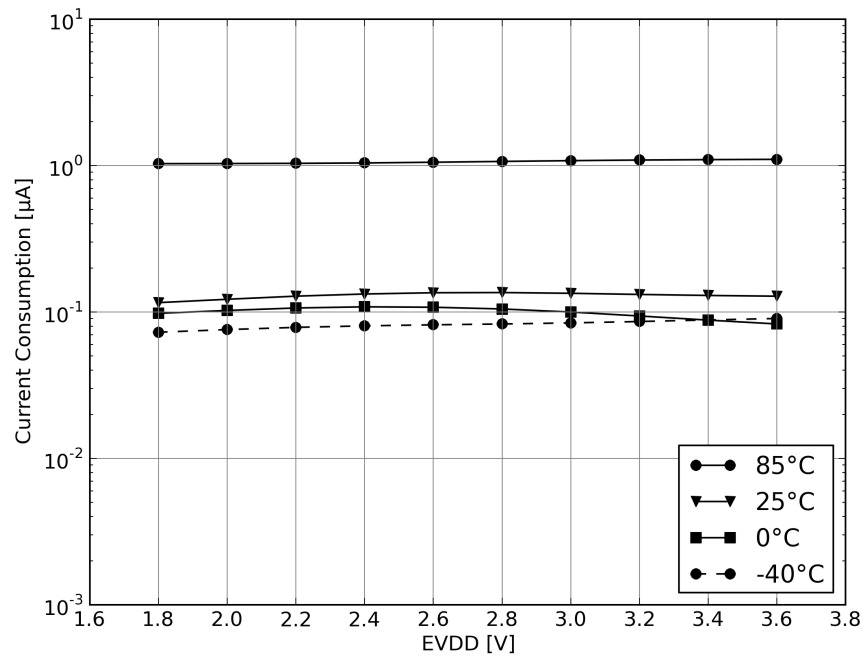


Figure 13-10. Current Consumption in TX\_BUSY State – Maximum Output Power.



13.1.5 SLEEP

Figure 13-11. Current Consumption in SLEEP.



### 13.2 State Transition Timing

Figure 13-12. Transition Time from EVDD to P\_ON (CLKM available).

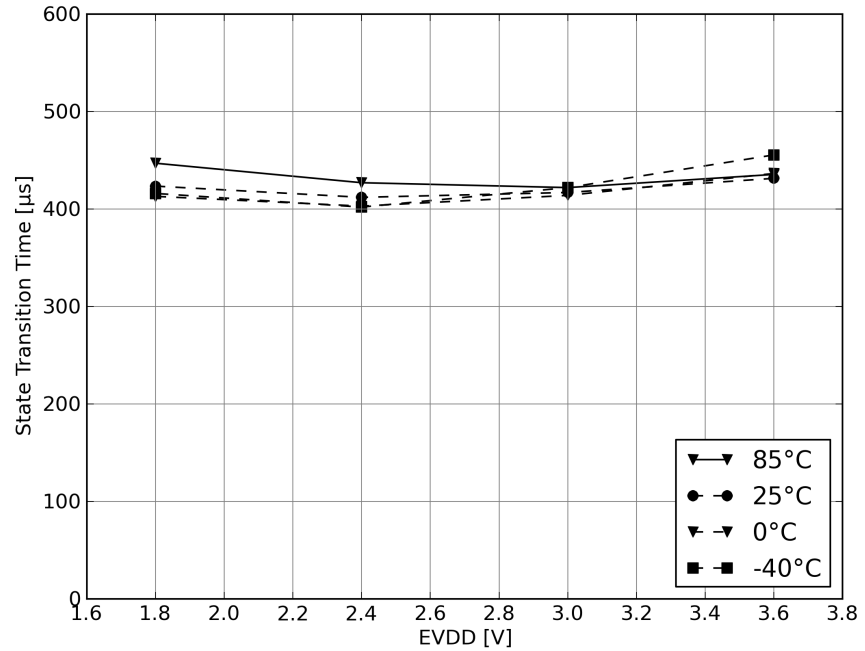


Figure 13-13. Transition Time from SLEEP to TRX\_OFF (IRQ\_4 (AWAKE\_END)).

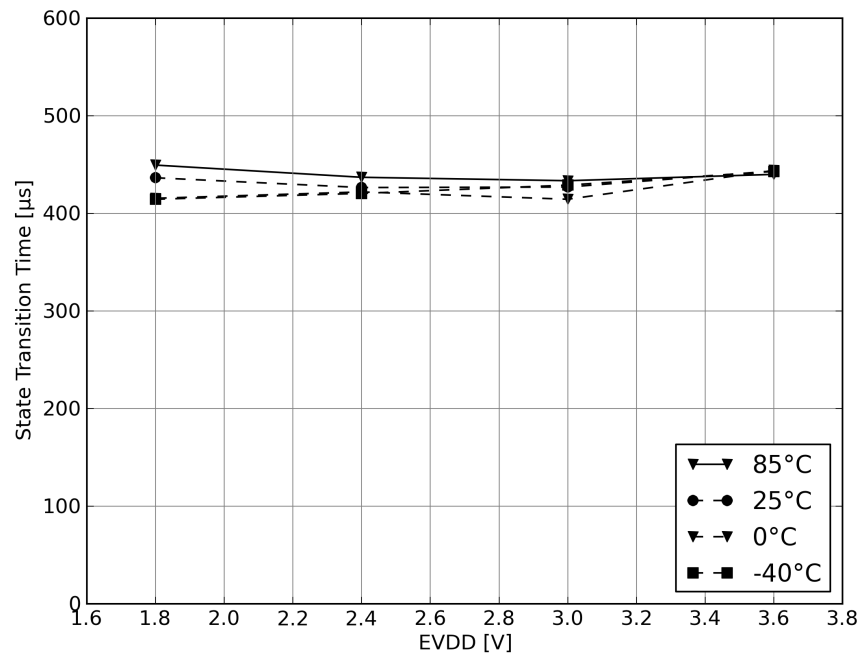
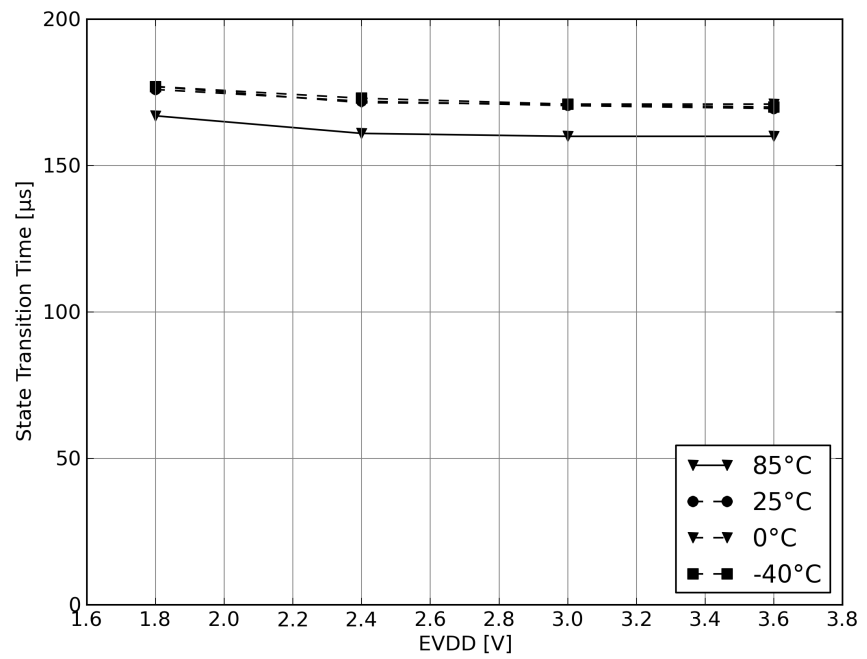


Figure 13-14. Transition Time from TRX\_OFF to PLL\_ON.



## 14 Register Reference

The Atmel AT86RF212B provides a register space of 64 8-bit registers used to configure, control and monitor the radio transceiver.

Note: All registers not mentioned within the following table are reserved for internal use and must not be overwritten. When writing to a register, any reserved bits shall be overwritten only with their reset value.

**Table 14-1. Register Summary.**

Addr	Name	Bit 7	Bit 6	Bit 5	Bit 4	Bit 3	Bit 2	Bit 1	Bit 0	Page		
0x01	TRX_STATUS	CCA_DONE	CCA_STATUS	reserved	TRX_STATUS					44, 65, 103		
0x02	TRX_STATE	TRAC_STATUS			TRX_CMD						45, 66	
0x03	TRX_CTRL_0	PAD_IO		PAD_IO_CLKM		CLKM_SHA_SEL	CLKM_CTRL				7, 144	
0x04	TRX_CTRL_1	PA_EXT_EN	IRQ_2_EXT_EN	TX_AUTO_CRC_ON	RX_BL_CTRL	SPL_CMD_MODE		IRQ_MASK_MODE	IRQ_POLARITY	22, 30, 68, 94, 172, 173, 176		
0x05	PHY_TX_PWR	PA_BOOST	GC_PA		TX_PWR					127		
0x06	PHY_RSSI	RX_CRC_VALID	RND_VALUE		RSSI					95, 97, 167		
0x07	PHY_ED_LEVEL	ED_LEVEL								100		
0x08	PHY_CC_CCA	CCA_REQUEST	CCA_MODE		CHANNEL					104, 108, 151		
0x09	CCA_THRES	CCA_CS_THRES				CCA_ED_THRES					105, 108	
0x0A	RX_CTRL	reserved		JCM_EN	reserved	reserved				146		
0x0B	SFD_VALUE	SFD_VALUE									178	
0x0C	TRX_CTRL_2	RX_SAFE_MODE	TRX_OFF_AVDD_EN	OQPSK_SCRAM_EN	ALT_SPECTRUM	BPSK_OQPSK	SUB_MODE	OQPSK_DATA_RATE			115, 138, 177	
0x0D	ANT_DIV	ANT_SEL	reserved			ANT_DIV_EN	ANT_EXT_SW_EN	ANT_CTRL			169	
0x0E	IRQ_MASK	IRQ_MASK									29	
0x0F	IRQ_STATUS	IRQ_7_BAT_LOW	IRQ_6_TRX_UR	IRQ_5_AMI	IRQ_4_CCA_ED_DONE	IRQ_3_TRX_END	IRQ_2_RX_START	IRQ_1_PLL_UNLOCK	IRQ_0_PLL_LOCK	29		
0x10	VREG_CTRL	AVREG_EXT	AVDD_OK	reserved		DVREG_EXT	DVDD_OK	reserved			136	
0x11	BATMON	PLL_LOCK_CP	reserved	BATMON_OK	BATMON_HR	BATMON_VTH				140, 155		
0x12	XOSC_CTRL	XTAL_MODE				XTAL_TRIM					147	
0x13	CC_CTRL_0	CC_NUMBER									152	
0x14	CC_CTRL_1	reserved			reserved			CC_BAND				153
0x15	RX_SYN	RX_PDT_DIS	RX_OVERRIDE			RX_PDT_LEVEL					119	
0x16	RF_CTRL_0	PA_LT		reserved		IF_SHIFT_MODE		GC_TX_OFFS			130	
0x17	XAH_CTRL_1	reserved	CSMA_LBT_MODE	AACK_FLTR_RES_FT	AACK_UPLD_RES_FT	reserved	AACK_ACK_TIME	AACK_PROM_MODE	reserved	69, 85, 109		
0x18	FTN_CTRL	FTN_START	reserved	reserved							156	
0x1A	PLL_CF	PLL_CF_START	reserved	reserved	reserved					153		
0x1B	PLL_DCU	PLL_DCU_START	reserved								154	
0x1C	PART_NUM	PART_NUM									23	
0x1D	VERSION_NUM	VERSION_NUM									23	
0x1E	MAN_ID_0	MAN_ID_0									24	
0x1F	MAN_ID_1	MAN_ID_1									24	
0x20	SHORT_ADDR_0	SHORT_ADDR_0									88	
0x21	SHORT_ADDR_1	SHORT_ADDR_1									88	
0x22	PAN_ID_0	PAN_ID_0									89	
0x23	PAN_ID_1	PAN_ID_1									89	
0x24	IEEE_ADDR_0	IEEE_ADDR_0									89	
0x25	IEEE_ADDR_1	IEEE_ADDR_1									90	
0x26	IEEE_ADDR_2	IEEE_ADDR_2									90	
0x27	IEEE_ADDR_3	IEEE_ADDR_3									90	
0x28	IEEE_ADDR_4	IEEE_ADDR_4									91	
0x29	IEEE_ADDR_5	IEEE_ADDR_5									91	

Addr	Name	Bit 7	Bit 6	Bit 5	Bit 4	Bit 3	Bit 2	Bit 1	Bit 0	Page
0x2A	IEEE_ADDR_6	IEEE_ADDR_6								91
0x2B	IEEE_ADDR_7	IEEE_ADDR_7								92
0x2C	XAH_CTRL_0	MAX_FRAME_RETRIES				MAX_CSMA_RETRIES			SLOTTED_OPERATION	71
0x2D	CSMA_SEED_0	CSMA_SEED_0								73
0x2E	CSMA_SEED_1	AACK_FVN_MODE	AACK_SET_PD	AACK_DIS_ACK	AACK_LAM_COORD	CSMA_SEED_1				74, 87
0x2F	CSMA_BE	MAX_BE				MIN_BE				76

The reset values of the Atmel AT86RF212B registers in state P\_ON<sup>(1, 2, 3)</sup> are shown in [Table 14-2](#).

Note: All reset values in [Table 14-2](#) are only valid after a power on reset. After a reset procedure (/RST = L) as described in [Section 7.1.4.5](#), the reset values of selected registers (for example registers 0x01, 0x10, 0x11, 0x30) can differ from that in [Table 14-2](#).

**Table 14-2.** Register Summary – Reset Values.

Address	Reset Value	Address	Reset Value	Address	Reset Value	Address	Reset Value
0x00	0x00	0x10	0x00	0x20	0xFF	0x30	0x00
0x01	0x00	0x11	0x02	0x21	0xFF	0x31	0x00
0x02	0x00	0x12	0xF0	0x22	0xFF	0x32	0x00
0x03	0x19	0x13	0x00	0x23	0xFF	0x33	0x00
0x04	0x20	0x14	0x00	0x24	0x00	0x34	0x3F
0x05	0x60	0x15	0x00	0x25	0x00	0x35	0x00
0x06	0x00	0x16	0x31	0x26	0x00	0x36	0x00
0x07	0xFF	0x17	0x00	0x27	0x00	0x37	0x00
0x08	0x25	0x18	0x58	0x28	0x00	0x38	0x00
0x09	0x77	0x19	0x00	0x29	0x00	0x39	0x40
0x0A	0x17	0x1A	0x48	0x2A	0x00	0x3A	0x00
0x0B	0xA7	0x1B	0x40	0x2B	0x00	0x3B	0x00
0x0C	0x24	0x1C	0x07	0x2C	0x38	0x3C	0x00
0x0D	0x01	0x1D	0x03	0x2D	0xEA	0x3D	0x00
0x0E	0x00	0x1E	0x1F	0x2E	0x42	0x3E	0x00
0x0F	0x00	0x1F	0x00	0x2F	0x53	0x3F	0x00

- Notes:
1. While the reset value of register 0x10 is 0x00, any practical access to the register is only possible when DVREG is active. So this register is always read out as 0x04. For details, refer to [Section 9.5](#).
  2. While the reset value of register 0x11 is 0x02, any practical access to the register is only possible when BATMON is activated. So this register is always read out as 0x22 in P\_ON state. For details, refer to [Section 9.6](#).
  3. While the reset value of register 0x30 is 0x00, any practical access to the register is only possible when the radio transceiver is accessible. So the register is usually read out as:
    - a) 0x11 after a reset in P\_ON state
    - b) 0x07 after a reset in any other state

## 15 Abbreviations

AACK	—	Automatic Acknowledgement
ACK	—	Acknowledgement
ADC	—	Analog-to-Digital Converter
AD	—	Antenna Diversity
AES	—	Advanced Encryption Standard
AGC	—	Automatic Gain Control
ARET	—	Automatic Retransmission
AVREG	—	Analog Voltage Regulator
AWGN	—	Additive White Gaussian Noise
BATMON	—	Battery Monitor
BBP	—	Base-Band Processor
BPF	—	Band-Pass Filter
BPSK	—	Binary Phase Shift Keying
CBC	—	Cipher Block Chaining
CCA	—	Clear Channel Assessment
CC	—	Current Channel
CF	—	Center Frequency
CRC	—	Cyclic Redundancy Check
CS	—	Carrier Sense
CSMA-CA	—	Carrier Sense Multiple Access – Collision Avoidance
CW	—	Continuous Wave
DAC	—	Digital-to-Analog Converter
DVREG	—	Digital Voltage Regulator
ECB	—	Electronic Code Book
ED	—	Energy Detect
ESD	—	Electrostatic discharge
EVM	—	Error Vector Magnitude
$F_c$	—	Channel Center Frequency
FCF	—	Frame Control Field
FCS	—	Frame Check Sequence
FIFO	—	First In, First Out
FTN	—	Filter Tuning Network
GPIO	—	General Purpose Input/Output
IC	—	Integrated Circuit
IEEE	—	Institute of Electrical and Electronic Engineers
IF	—	Intermediate Frequency
I/O	—	Input/Output
I/Q	—	In/Quadrature-Phase
IRQ	—	Interrupt Request
ISM	—	Industrial Scientific Medical
LBT	—	Listen Before Talk
LDO	—	Low Dropout
LNA	—	Low-Noise Amplifier
LO	—	Local Oscillator
LPF	—	Low-Pass Filter
LQI	—	Link Quality Indication
LSB	—	Least Significant Bit
MAC	—	Medium Access Control
MFR	—	MAC Footer
MHR	—	MAC Header
MIC	—	Message Integrity Code
MISO	—	Master Input, Slave Output

MOSI	—	Master Output, Slave Input
MSB	—	Most Significant Bit
MSDU	—	MAC Service Data Unit
NOP	—	No Operation
O-QPSK	—	Offset Quadrature Phase Shift Keying
PA	—	Power Amplifier
PAN	—	Personal Area Network
PCB	—	Printed Circuit Board
PER	—	Packet Error Rate
PHR	—	PHY Header
PHY	—	Physical Layer
PLL	—	Phase-Locked Loop
PPDU	—	PHY Protocol Data Unit
PPF	—	Poly-Phase Filter
PRBS	—	Pseudo Random Binary Sequence
PSD	—	Power Spectrum Density
PSDU	—	PHY Service Data Unit
QFN	—	Quad Flat No-Lead Package
RBW	—	Resolution Bandwidth
RC	—	Raised Cosine
RF	—	Radio Frequency
RMS	—	Root Mean Square
RSSI	—	Received Signal Strength Indicator
RX	—	Receiver
SFD	—	Start-Of-Frame Delimiter
SHR	—	Synchronization Header
SPI	—	Serial Peripheral Interface
SRAM	—	Static Random Access Memory
SRD	—	Short Range Device
TRX	—	Transceiver
TX	—	Transmitter
VBW	—	Video Bandwidth
VCO	—	Voltage Controlled Oscillator
WPAN	—	Wireless Personal Area Network
XOSC	—	Crystal Oscillator
XTAL	—	Crystal

## 16 Ordering Information

Ordering Code	Packaging	Package	Voltage Range	Temperature Range
AT86RF212B-ZU	Tray	QN	1.8V – 3.6V	Industrial (-40°C to +85°C) Lead-free/Halogen-free
AT86RF212B-ZUR	Tape & Reel	QN	1.8V – 3.6V	Industrial (-40°C to +85°C) Lead-free/Halogen-free

Package Type	Description
QN	32QN2, 32-lead 5.0x5.0mm Body, 0.50mm Pitch, Quad Flat No-lead Package (QFN) Sawn

Note: T&R quantity 5,000.

Please contact your local Atmel sales office for more detailed ordering information and minimum quantities.

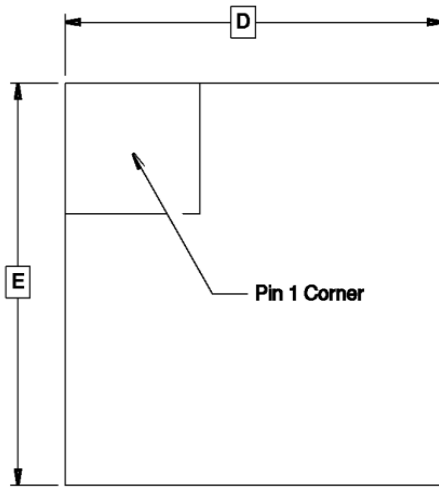
## 17 Soldering Information

Recommended soldering profile is specified in IPC/JEDEC J-STD-.020C.

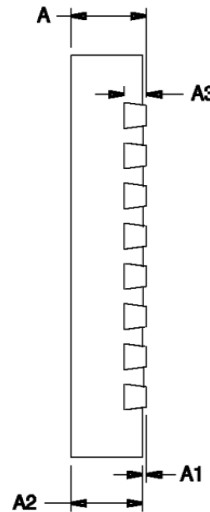
## 18 Package Thermal Properties

Thermal Resistance	
Velocity [m/s]	Theta ja [K/W]
0	40.9
1	35.7
2.5	32.0

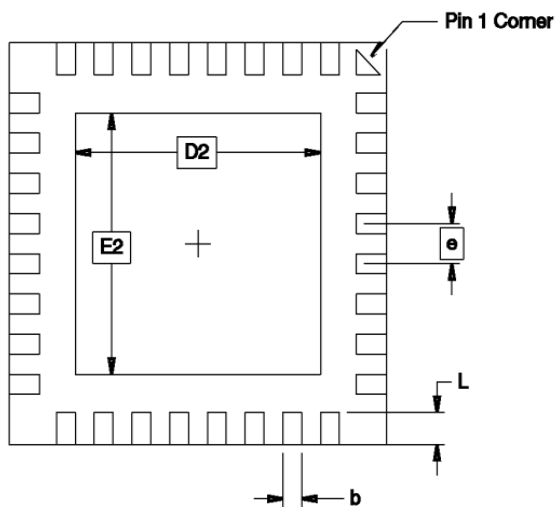
## 19 Package Drawing – 32QN2



Top View



Side View



Bottom View

COMMON DIMENSIONS  
(Unit of Measure = mm)

SYMBOL	MIN.	NOM.	MAX.	NOTE
D	5.00 BSC			
E	5.00 BSC			
D2	3.20	3.30	3.40	
E2	3.20	3.30	3.40	
A	0.80	0.90	1.00	
A1	0.0	0.02	0.05	
A2	0.0	0.65	1.00	
A3	0.20 REF			
L	0.30	0.40	0.50	
e	0.50 BSC			
b	0.18	0.23	0.30	2

- Notes:
1. This drawing is for general information only. Refer to JEDEC Drawing MO-220, Variation VHHD-6, for proper dimensions, tolerances, datums, etc.
  2. Dimension b applies to metallized terminal and is measured between 0.15 mm and 0.30 mm from the terminal tip. If the terminal has the optional radius on the other end of the terminal, the dimension should not be measured in that radius area.

11/26/07



Package Drawing Contact:  
packagedrawings@atmel.com

TITLE  
32QN2, 32-lead 5.0 x 5.0 mm Body, 0.50 mm Pitch,  
Quad Flat No Lead Package (QFN) Sawn

GPC  
ZJZ

DRAWING NO.  
32QN2

REV.  
A

## Appendix A – Continuous Transmission Test Mode

### A.1 – Overview

The Atmel AT86RF212B offers a Continuous Transmission Test Mode to support application and production tests as well as certification tests. Using this test mode, the radio transceiver transmits continuously a previously transferred frame (PRBS mode) or a continuous wave signal (CW mode).

The AT86RF212B uses I/Q modulation for both, PRBS mode and CW mode. In CW mode, this results in a signal which is not placed at the selected channel center frequency  $F_c$  (refer to [Section 9.8.2](#)), but at 0.1 or 0.25MHz apart this frequency. One out of four different signal frequencies per channel can be transmitted:

- $f_1 = F_c + 0.25\text{MHz}$  using O-QPSK 1000kb/s mode
- $f_2 = F_c - 0.25\text{MHz}$  using O-QPSK 1000kb/s mode
- $f_3 = F_c + 0.1\text{MHz}$  using O-QPSK 400kb/s mode
- $f_4 = F_c - 0.1\text{MHz}$  using O-QPSK 400kb/s mode

As a side effect of I/Q modulation, CW mode shows some unwanted signal components based on finite image rejection and non-linearities.

In addition to the above mentioned modes – a CW mode which directly uses the PLL signal without I/Q modulation. This is the recommended mode because the signal is placed at the selected channel center frequency  $F_c$  and unwanted signal components are significantly lower.

PRBS mode requires data in the frame buffer, that is a valid PHR (see [Section 8.1](#)) followed by PSDU data. After transmission of two non-PSDU octets, PSDU data is repeated continuously.

### A.2 – Configuration

Detailed programming sequences are shown in [Table A-1](#) for PRBS and CW mode and in [Table A-2](#) for additional CW mode. The column R/W informs about writing (W) or reading (R) a register or the Frame Buffer.

**Table A-1.** PRBS and CW Mode Programming Sequence.

Step	Action	Register	R/W	Value	Description
1	RESET				Reset AT86RF212B
2	Register access	0x0E	W	0x01	Set IRQ mask register, enable IRQ_0 (PLL_LOCK)
3	Register access	0x02	W	0x03	Set radio transceiver state TRX_OFF
4	Register access		W		Set channel, refer to <a href="#">Section 9.8.2</a>
5	Register access		W		Set TX output power, refer to <a href="#">Section 9.3.4</a> . For CW mode, GC_TX_OFFSETS should be set to three. See note 1.
6	Register access	0x01	R	0x08	Verify TRX_OFF state
7	Register access	0x36	W	0x0F	

Step	Action	Register	R/W	Value	Description
8	Register access	0x0C	W	0x00 0x04 0x08 0x0C 0x1C 0x0A 0x0E	Select PRBS mode with modulation scheme or CW mode with carrier position: PRBS mode, BPSK-20 PRBS mode, BPSK-40 PRBS mode, OQPSK-SIN-RC-100 PRBS mode, OQPSK-SIN-250 PRBS mode, OQPSK-RC-250 CW mode, CW at $F_c - 0.1\text{MHz}$ or CW at $F_c + 0.1\text{MHz}$ , see step 9 CW mode, CW at $F_c - 0.25\text{MHz}$ or CW at $F_c + 0.25\text{MHz}$ , see step 9
9	Frame Buffer write access		W	{PHR, PSDU}  {0x01, 0x00}  {0x01, 0xFF}  {0x01, 0x00}  {0x01, 0xFF}	PRBS mode: Write PHR value (0x01 ... 0x7F) followed by PSDU data. PHR determines how many bytes of the PSDU data are repeated continuously.  CW mode, CW at $F_c - 0.1\text{MHz}$  CW mode, CW at $F_c + 0.1\text{MHz}$  CW mode, CW at $F_c - 0.25\text{MHz}$  CW mode, CW at $F_c + 0.25\text{MHz}$
10	Register access	0x1C	W	0x54	
11	Register access	0x1C	W	0x46	
12	Register access	0x02	W	0x09	Enable PLL_ON state
13	Interrupt event	0x0F	R	0x01	Wait for IRQ_0 (PLL_LOCK)
14	Register access	0x02	W	0x02	Initiate transmission, enter BUSY_TX state
15	Measurement				Perform measurement
16	Register access	0x1C	W	0x00	Disable Continuous Transmission Test Mode
17	Reset				Reset AT86RF212B

**Table A-2.** Additional CW Mode Programming Sequence.

Step	Action	Register	R/W	Value	Description
1	Reset				Reset AT86RF212B rev. C
2	Register access	0x0E	W	0x01	Set IRQ mask register, enable IRQ_0 (PLL_LOCK)
3	Register access	0x02	W	0x03	Set radio transceiver state TRX_OFF
4	Register access		W		Set channel, refer to <a href="#">Section 9.8.2</a> .
5	Register access		W		Set TX output power, refer to <a href="#">Section 9.3.4</a> . For CW mode, GC_TX_OFFS should be set to three. See note 1
6	Register access	0x01	R	0x08	Verify TRX_OFF state
7	Register access	0x36	W	0x0F	
8	Register access	0x1C	W	0x54	
9	Register access	0x1C	W	0x42	
10	Register access	0x34	W	0x00	
11	Register access	0x3F	W	0x08	
12	Register access	0x02	W	0x09	Enable PLL_ON state
13	Interrupt event	0x0F	R	0x01	Wait for IRQ_0 (PLL_LOCK)
14	Register access	0x02	W	0x02	Initiate transmission, enter BUSY_TX state
15	Measurement				Perform measurement
16	Register access	0x1C	W	0x00	Disable Continuous Transmission Test Mode
17	Reset				Reset AT86RF212B rev. C

Note: 1. Changing the output power during continuous transmission is not allowed.

## Appendix B – Errata

### AT86RF212B Rev. C

No known errata.

## References

- [1] IEEE Standard 802.15.4™-2003: Wireless Medium Access Control (MAC) and Physical Layer (PHY) Specifications for Low-Rate Wireless Personal Area Networks (WPANs).
- [2] IEEE Standard 802.15.4™-2006: Wireless Medium Access Control (MAC) and Physical Layer (PHY) Specifications for Low-Rate Wireless Personal Area Networks (WPANs).
- [3] IEEE Standard 802.15.4c™-2009: Wireless Medium Access Control (MAC) and Physical Layer (PHY) Specifications for Low-Rate Wireless Personal Area Networks (WPANs):  
Amendment 2: Alternative Physical Layer Extension to support one or more of the Chinese 314-316MHz, 430-434MHz, and 779-787MHz bands.
- [4] IEEE Standard 802.15.4™-2011: Low-Rate Wireless Personal Area Networks (WPANs).
- [5] FCC Title 47 (Telecommunication) of the Code of Federal Regulations, Part 15 (Radio Frequency Devices), October 2009.
- [6] ETSI EN 300 220-1 V2.3.1 (2009-04): Electromagnetic compatibility and Radio spectrum Matters (ERM); Short Range Devices (SRD); Radio equipment to be used in the 25MHz to 1000MHz frequency range with power levels ranging up to 500mW; Part 1: Technical characteristics and test methods.
- [7] ERC Recommendation 70-03 relating to the use of short range devices (SRD). Version of 18 February 2009.
- [8] ANSI/ESD STM5.1 – 2007, Electrostatic Discharge Sensitivity Testing – Human Body Model (HBM); JESD22-A114E – 2006; CEI/IEC 60749-26 – 2006; AEC-Q100-002-Ref-D.
- [9] ESD-STM5.3.1-1999: ESD Association Standard Test Method for electrostatic discharge sensitivity testing – Charged Device Model (CDM).
- [10] NIST FIPS PUB 197: Advanced Encryption Standard (AES), Federal Information Processing Standards Publication 197, US Department of Commerce/NIST, November 26, 2001.
- [11] AT86RF212B Software Programming Model.

## Data Sheet Revision History

Please note that revisions in this section are referring to the document revisions.

Rev.	Date	Comments
42002E	02/2015	<ol style="list-style-type: none"> <li>Section <a href="#">6.7.2 Interrupt Mask Modes and Pin Polarity</a>: <ul style="list-style-type: none"> <li>IRQ_MASK_MODE reset value correcte from 1 to 0.</li> </ul> </li> </ol>
42002D	02/2015	<ol style="list-style-type: none"> <li>Section <a href="#">9.3 Transmitter (Tx)</a> <ul style="list-style-type: none"> <li>Tx output power updated from +10 to +11dBm</li> </ul> </li> <li>Register <a href="#">RF_CTRL_0</a>: <ul style="list-style-type: none"> <li>Bits 3:2: IF_SHIFT_MODE marked as reserved bits.</li> </ul> </li> <li>Section <a href="#">12.6 Transmitter Characteristics</a>: <ul style="list-style-type: none"> <li>Updated PTX_MAX from +10 to +11dBm</li> <li>Updated references in note 5.</li> </ul> </li> </ol>
42002C	08/2013	<ol style="list-style-type: none"> <li>Remove content PRELIMINARY</li> <li>Editorial update: <ol style="list-style-type: none"> <li>Page 105: update note 1. On register 0x09</li> <li>Page 203: update overview section</li> </ol> </li> </ol>
42002B	04/2013	Editorial updates
42002A	02/2013	Initial release

Table of Contents

**Features** ..... 1

**Low Power,** ..... 1

**700/800/900MHz Transceiver for ZigBee,** ..... 1

**IEEE 802.15.4,** ..... 1

**6LoWPAN, and ISM**..... 1

**Applications** ..... 1

**AT86RF212B**..... 1

**1 Pin-out Diagram** ..... 2

    1.1 Pin Descriptions..... 3

    1.2 Analog and RF Pins ..... 4

    1.3 Digital Pins..... 6

**2 Disclaimer**..... 8

**3 Overview**..... 8

**4 General Circuit Description**..... 9

**5 Application Schematic** ..... 11

    5.1 Basic Application Schematic ..... 11

    5.2 Extended Feature Set Application Schematic..... 13

**6 Microcontroller Interface**..... 15

    6.1 Overview..... 15

    6.2 SPI Timing Description ..... 16

    6.3 SPI Protocol..... 17

    6.4 Radio Transceiver Status Information..... 22

    6.5 Radio Transceiver Identification ..... 23

    6.6 Sleep/Wake-up and Transmit Signal (SLP\_TR)..... 25

    6.7 Interrupt Logic..... 27

**7 Operating Modes**..... 32

    7.1 Basic Operating Mode ..... 32

    7.2 Extended Operating Mode ..... 46

**8 Functional Description** ..... 77

    8.1 Introduction – IEEE 802.15.4-2006 Frame Format ..... 77

    8.2 Frame Filter ..... 83

    8.3 Frame Check Sequence (FCS) ..... 93

    8.4 Received Signal Strength Indicator (RSSI) ..... 96

    8.5 Energy Detection (ED) ..... 98

    8.6 Clear Channel Assessment (CCA)..... 101

8.7 Listen Before Talk (LBT) .....	107
8.8 Link Quality Indication (LQI) .....	110
<b>9 Module Description.....</b>	<b>111</b>
9.1 Physical Layer Modes .....	111
9.2 Receiver (RX) .....	118
9.3 Transmitter (TX) .....	121
9.4 Frame Buffer.....	132
9.5 Voltage Regulators (AVREG, DVREG).....	135
9.6 Battery Monitor (BATMON) .....	139
9.7 Crystal Oscillator (XOSC) and Clock Output (CLKM) .....	142
9.8 Frequency Synthesizer (PLL).....	148
9.9 Automatic Filter Tuning (FTN) .....	156
<b>10 Radio Transceiver Usage .....</b>	<b>157</b>
10.1 Frame Receive Procedure .....	157
10.2 Frame Transmit Procedure .....	158
<b>11 AT86RF212B Extended Feature Set .....</b>	<b>159</b>
11.1 Security Module (AES) .....	159
11.2 Random Number Generator.....	167
11.3 Antenna Diversity .....	168
11.4 RX/TX Indicator .....	171
11.5 RX Frame Time Stamping.....	173
11.6 Frame Buffer Empty Indicator .....	175
11.7 Dynamic Frame Buffer Protection .....	177
11.8 Alternate Start-Of-Frame Delimiter .....	178
<b>12 Electrical Characteristics .....</b>	<b>179</b>
12.1 Absolute Maximum Ratings.....	179
12.2 Recommended Operating Range.....	179
12.3 Digital Pin Characteristics .....	180
12.4 Digital Interface Timing Characteristics.....	180
12.5 General RF Specifications.....	182
12.6 Transmitter Characteristics .....	183
12.7 Receiver Characteristics .....	184
12.8 Current Consumption Specifications.....	187
12.9 Crystal Parameter Requirements .....	187
<b>13 Typical Characteristics.....</b>	<b>188</b>
13.1 Active Supply Current.....	188

13.2 State Transition Timing ..... 194

**14 Register Reference ..... 196**

**15 Abbreviations ..... 199**

**16 Ordering Information ..... 201**

**17 Soldering Information ..... 201**

**18 Package Thermal Properties ..... 201**

**19 Package Drawing – 32QN2 ..... 202**

**Appendix A – Continuous Transmission Test Mode ..... 203**

    A.1 – Overview ..... 203

    A.2 – Configuration ..... 203

**Appendix B – Errata ..... 206**

    AT86RF212B Rev. C ..... 206

**References ..... 207**

**Data Sheet Revision History ..... 208**

**Table of Contents ..... 209**



Atmel Corporation 1600 Technology Drive, San Jose, CA 95110 USA T: (+1)(408) 441.0311 F: (+1)(408) 436.4200 | [www.atmel.com](http://www.atmel.com)

© 2014 Atmel Corporation. / Rev.:42002E–MCU Wireless–02/2015.



Atmel®, Atmel logo and combinations thereof, Enabling Unlimited Possibilities®, AVR® and others are registered trademarks or trademarks of Atmel Corporation in U.S. and other countries. Other terms and product names may be trademarks of others.

DISCLAIMER: The information in this document is provided in connection with Atmel products. No license, express or implied, by estoppel or otherwise, to any intellectual property right is granted by this document or in connection with the sale of Atmel products. EXCEPT AS SET FORTH IN THE ATMEL TERMS AND CONDITIONS OF SALES LOCATED ON THE ATMEL WEBSITE, ATMEL ASSUMES NO LIABILITY WHATSOEVER AND DISCLAIMS ANY EXPRESS, IMPLIED OR STATUTORY WARRANTY RELATING TO ITS PRODUCTS INCLUDING, BUT NOT LIMITED TO, THE IMPLIED WARRANTY OF MERCHANTABILITY, FITNESS FOR A PARTICULAR PURPOSE, OR NON-INFRINGEMENT. IN NO EVENT SHALL ATMEL BE LIABLE FOR ANY DIRECT, INDIRECT, CONSEQUENTIAL, PUNITIVE, SPECIAL OR INCIDENTAL DAMAGES (INCLUDING, WITHOUT LIMITATION, DAMAGES FOR LOSS AND PROFITS, BUSINESS INTERRUPTION, OR LOSS OF INFORMATION) ARISING OUT OF THE USE OR INABILITY TO USE THIS DOCUMENT, EVEN IF ATMEL HAS BEEN ADVISED OF THE POSSIBILITY OF SUCH DAMAGES. Atmel makes no representations or warranties with respect to the accuracy or completeness of the contents of this document and reserves the right to make changes to specifications and products descriptions at any time without notice. Atmel does not make any commitment to update the information contained herein. Unless specifically provided otherwise, Atmel products are not suitable for, and shall not be used in, automotive applications. Atmel products are not intended, authorized, or warranted for use as components in applications intended to support or sustain life.






SAFETY-CRITICAL, MILITARY, AND AUTOMOTIVE APPLICATIONS DISCLAIMER: Atmel products are not designed for and will not be used in connection with any applications where the failure of such products would reasonably be expected to result in significant personal injury or death ("Safety-Critical Applications") without an Atmel officer's specific written consent. Safety-Critical Applications include, without limitation, life support devices and systems, equipment or systems for the operation of nuclear facilities and weapons systems. Atmel products are not designed nor intended for use in military or aerospace applications or environments unless specifically designated by Atmel as military-grade. Atmel products are not designed nor intended for use in automotive applications unless specifically designated by Atmel as automotive-grade.

## Looking for pricing, stock, or lifecycle information?

Click below to explore more details on WIN SOURCE:

-  [View AT86RF212B-ZUR on WIN SOURCE](#)
-  [Microchip Technology Information](#)

## Optimize Your Supply Chain with WIN SOURCE Solutions

-  Global Sourcing Solution
-  Obsolete Management
-  Cost Control Management
-  Shortage Management
-  Alternative Solution
-  Excess Inventory Management