



**THE DATASHEET OF
LT1495IN8#PBF**



1.5 μ A Max, Single, Dual and Quad Over-The-Top Precision Rail-to-Rail Input and Output Op Amps

FEATURES

- Low Supply Current: 1.5 μ A Max
- Rail-to-Rail Input and Output
- Low Offset Voltage: 375 μ V Max
- Operating Temperature Range: -40°C to 125°C
- Over-The-Top™ Inputs Operate Above V^+
- Wide Supply Range: 2.2V to 36V
- Single Supply Input Range: -0.3V to 36V
- Low Input Bias Current: 250pA
- Low Input Offset Current: 20pA
- High A_{VOL} : 100V/mV Minimum Driving 100k Ω Load
- Output Sources and Sinks 500 μ A Load Current
- Reverse Battery Protected to 18V

APPLICATIONS

- Battery- or Solar-Powered Systems
- Portable Instrumentation
- Remote Sensor Amplifier
- Micropower Filter

LT, LTC and LT are registered trademarks of Linear Technology Corporation. Over-The-Top is a trademark of Linear Technology Corporation.

DESCRIPTION

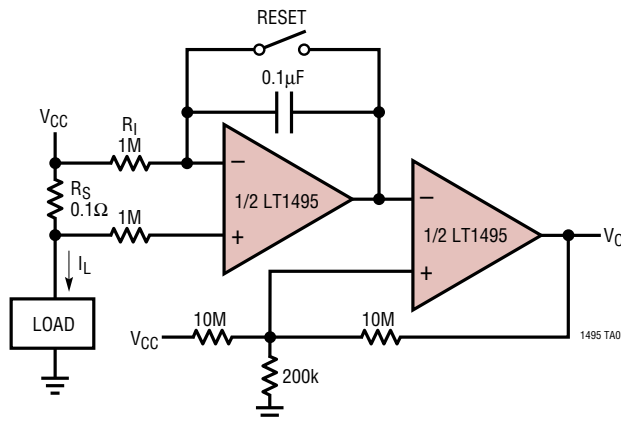
The LT[®]1494/LT1495/LT1496 are the lowest power ($I_S \leq 1.5\mu\text{A}$) op amps with precision specifications. The extremely low supply current is combined with excellent amplifier specifications: input offset voltage is 375 μV maximum with a typical drift of only 0.4 $\mu\text{V}/^{\circ}\text{C}$, input offset current is 100pA maximum. A minimum open-loop gain (A_{VOL}) of 100V/mV ensures that gain errors are small. The device characteristics change little over the supply range of 2.2V to $\pm 15\text{V}$. Supply rejection is 90dB and the common mode rejection ratio is 90dB. Operation is specified for 3V, 5V and $\pm 15\text{V}$ supplies. Reverse battery protection (-18V min) and inputs that operate above the positive supply make the LT1494/LT1495/LT1496 easy to use in harsh environments.

The low bias currents and offset current of the amplifier permit the use of megohm level source resistors without introducing significant errors. Voltage noise at 4 μV_{P-P} is remarkably low considering the low supply current.

The LT1494 is available in the 8-Pin MSOP, PDIP and SO packages. The LT1495 is available in plastic 8-Pin PDIP and SO packages with the standard dual op amp pinout. The LT1496 is available in 14-Pin SO and PDIP packages.

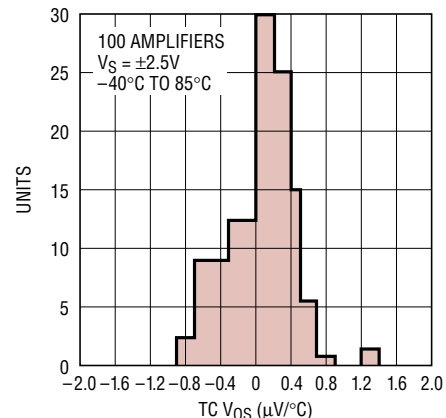
TYPICAL APPLICATION

Micropower Integrating Current Sense



OUTPUT SWITCHES
 WHEN $\int i_L dt = 0.98 V_{CC} \left(\frac{R_I}{R_S} \right) C = (4.9A)(\text{SEC})$ FOR $V_{CC} = 5\text{V}$
 $I_S = 3\mu\text{A}$ DURING INTEGRATION; $I_S = 5\mu\text{A}$ END OF INTEGRATION

TC V_{OS} Distribution



1495 TA02

LT1494/LT1495/LT1496

ABSOLUTE MAXIMUM RATINGS (Note 1)

| | |
|---|--|
| Total Supply Voltage (V^+ to V^-) | 36V |
| Differential Input Voltage | 36V |
| Input Current | $\pm 10\text{mA}$ |
| Output Short-Circuit Duration | Continuous |
| Operating Temperature Range (Note 2) | |
| LT1494C/LT1495C/LT1496C | -40°C to 85°C |
| LT1494I/LT1495I/LT1496I | -40°C to 85°C |
| LT1494H/LT1495H/LT1496H | -40°C to 125°C |

| | |
|--|--|
| Specified Temperature Range (Note 3) | |
| LT1494C/LT1495C/LT1496C | -40°C to 85°C |
| LT1494I/LT1495I/LT1496I | -40°C to 85°C |
| LT1494H/LT1495H/LT1496H | -40°C to 125°C |
| Storage Temperature Range | -65°C to 150°C |
| Junction Temperature | 150°C |
| Lead Temperature (Soldering, 10 sec) | 300°C |

PACKAGE/ORDER INFORMATION

| | | | |
|--|---|---|---|
|  <p>MS8 PACKAGE 8-LEAD PLASTIC MSOP</p> <p>$T_{JMAX} = 150^\circ\text{C}$, $\theta_{JA} = 250^\circ\text{C/W}$</p> | ORDER PART NUMBER |  <p>N8 PACKAGE 8-LEAD PDIP</p> <p>S8 PACKAGE 8-LEAD PLASTIC SO</p> <p>$T_{JMAX} = 150^\circ\text{C}$, $\theta_{JA} = 130^\circ\text{C/W}$ (N8) $T_{JMAX} = 150^\circ\text{C}$, $\theta_{JA} = 190^\circ\text{C/W}$ (S8)</p> | ORDER PART NUMBER |
| | LT1494CMS8 LT1494IMS8 | | LT1494CN8 LT1494CS8 LT1494IN8 LT1494IS8 LT1494HS8 |
| | MS8 PART MARKING | | S8 PART MARKING |
| | LTFF LTFG | | 1494 1494I 1494H |
|  <p>N8 PACKAGE 8-LEAD PDIP</p> <p>S8 PACKAGE 8-LEAD PLASTIC SO</p> <p>$T_{JMAX} = 150^\circ\text{C}$, $\theta_{JA} = 130^\circ\text{C/W}$ (N8) $T_{JMAX} = 150^\circ\text{C}$, $\theta_{JA} = 190^\circ\text{C/W}$ (S8)</p> | ORDER PART NUMBER |  <p>N PACKAGE 14-LEAD PDIP</p> <p>S PACKAGE 14-LEAD PLASTIC SO</p> <p>$T_{JMAX} = 150^\circ\text{C}$, $\theta_{JA} = 130^\circ\text{C/W}$ (N) $T_{JMAX} = 150^\circ\text{C}$, $\theta_{JA} = 160^\circ\text{C/W}$ (S)</p> | ORDER PART NUMBER |
| | LT1495CN8 LT1495CS8 LT1495IN8 LT1495IS8 LT1495HS8 | | LT1496CN LT1496CS LT1496IN LT1496IS LT1496HS |
| | S8 PART MARKING | | |
| | 1495 1495I 1495H | | |

Consult LTC Marketing for parts specified with wider operating temperature ranges.

ELECTRICAL CHARACTERISTICS

$T_A = 25^\circ\text{C}$, $V_S = 5\text{V}$, 0V ; $V_S = 3\text{V}$, 0V ; $V_{CM} = V_O = \text{half supply}$, unless otherwise noted.

| SYMBOL | PARAMETER | CONDITIONS | MIN | TYP | MAX | UNITS |
|-----------|----------------------------------|---|--------------|---------------|------|------------------------------|
| V_{OS} | Input Offset Voltage | $V_S = 5\text{V}$ | | 150 | 375 | μV |
| | | $V_S = 3\text{V}$ | | 200 | 475 | μV |
| | | $V_S = 5\text{V}$, MS8 Package | | 150 | 475 | μV |
| | | $V_S = 3\text{V}$, MS8 Package | | 200 | 575 | μV |
| I_B | Input Bias Current | (Note 5) | | 250 | 1000 | pA |
| | | $V_{CM} = 10\text{V}$ (Note 6) | | 180 | 360 | nA |
| I_{OS} | Input Offset Current | (Note 5) | | 20 | 100 | pA |
| | Input Noise Voltage | 0.1Hz to 10Hz | | 4 | | μV_{p-p} |
| e_n | Input Noise Voltage Density | $f = 100\text{Hz}$ | | 185 | | $\text{nV}/\sqrt{\text{Hz}}$ |
| i_n | Input Noise Current Density | $f = 100\text{Hz}$ | | 10 | | $\text{fA}/\sqrt{\text{Hz}}$ |
| A_{VOL} | Large-Signal Voltage Gain | $V_S = 5\text{V}$, $V_O = 0.25\text{V}$ to 4.5V , $R_L = 100\text{k}$ | 100 | 500 | | V/mV |
| | | $V_S = 3\text{V}$, $V_O = 0.25\text{V}$ to 2.5V , $R_L = 100\text{k}$ | 50 | 250 | | V/mV |
| | Input Voltage Range | | 0 | | 36 | V |
| CMRR | Common Mode Rejection Ratio | $V_{CM} = 0\text{V}$ to 4V , $V_S = 5\text{V}$ | 90 | 106 | | dB |
| | | $V_{CM} = 0\text{V}$ to 10V , $V_S = 5\text{V}$ | 74 | 95 | | dB |
| PSRR | Power Supply Rejection Ratio | $V_S = 2.2\text{V}$ to 12V , $V_{CM} = V_O = 0.5\text{V}$ | 90 | 99 | | dB |
| | Minimum Operating Supply Voltage | | | 2.1 | 2.2 | V |
| V_{OL} | Output Voltage Swing LOW | No Load | | 50 | 100 | mV |
| | | $I_{SINK} = 100\mu\text{A}$ | | 210 | 410 | mV |
| V_{OH} | Output Voltage Swing HIGH | No Load | $V^+ - 0.07$ | $V^+ - 0.035$ | | V |
| | | $I_{SOURCE} = 100\mu\text{A}$ | $V^+ - 0.32$ | $V^+ - 0.160$ | | V |
| I_{SC} | Short-Circuit Current | (Note 5) | 0.7 | 1.3 | | mA |
| I_S | Supply Current per Amplifier | (Note 6) | | 1.0 | 1.5 | μA |
| | Reverse Supply Voltage | $I_S = 10\mu\text{A}$ per Amplifier | -18 | | | V |
| SR | Slew Rate | $A_V = -1$, $V_S = \pm 5\text{V}$ | 0.4 | 1.0 | | V/ms |
| GBW | Gain Bandwidth Product | $f = 100\text{Hz}$ | | 2.7 | | kHz |

ELECTRICAL CHARACTERISTICS

The ● denotes the specifications which apply over the temperature range of $0^{\circ}\text{C} \leq T_A \leq 70^{\circ}\text{C}$, $V_S = 5\text{V}, 0\text{V}$; $V_S = 3\text{V}, 0\text{V}$; $V_{CM} = V_O = \text{half supply}$, unless otherwise noted. (Note 3)

| SYMBOL | PARAMETER | CONDITIONS | | MIN | TYP | MAX | UNITS |
|--------------|----------------------------------|--|---|--------------|--------------|------|--------------------------------|
| V_{OS} | Input Offset Voltage | $V_S = 5\text{V}$ | ● | | 175 | 425 | μV |
| | | $V_S = 3\text{V}$ | ● | | 225 | 525 | μV |
| | | $V_S = 5\text{V}, \text{MS8 Package}$ | ● | | 175 | 525 | μV |
| | | $V_S = 3\text{V}, \text{MS8 Package}$ | ● | | 225 | 625 | μV |
| $V_{OS\ TC}$ | Input Offset Voltage Drift | (Note 4) | ● | | 0.4 | 2 | $\mu\text{V}/^{\circ}\text{C}$ |
| I_B | Input Bias Current | (Note 5) | ● | | 250 | 1200 | pA |
| | | $V_{CM} = 10\text{V}$ (Note 6) | ● | | 240 | 500 | nA |
| I_{OS} | Input Offset Current | (Note 5) | ● | | 20 | 120 | pA |
| A_{VOL} | Large-Signal Voltage Gain | $V_S = 5\text{V}, V_O = 0.25\text{V to } 4.5\text{V}, R_L = 100\text{k}$ | ● | 75 | 280 | | V/mV |
| | | $V_S = 3\text{V}, V_O = 0.25\text{V to } 2.5\text{V}, R_L = 100\text{k}$ | ● | 40 | 150 | | V/mV |
| | Input Voltage Range | | ● | 0.2 | | 36 | V |
| CMRR | Common Mode Rejection Ratio | $V_{CM} = 0.2\text{V to } 4\text{V}, V_S = 5\text{V}$ | ● | 89 | 106 | | dB |
| | | $V_{CM} = 0.2\text{V to } 10\text{V}, V_S = 5\text{V}$ | ● | 64 | 85 | | dB |
| PSRR | Power Supply Rejection Ratio | $V_S = 2.4\text{V to } 12\text{V}, V_{CM} = V_O = 0.5\text{V}$ | ● | 89 | 99 | | dB |
| | Minimum Operating Supply Voltage | | ● | | 2.3 | 2.4 | V |
| V_{OL} | Output Voltage Swing LOW | No Load | ● | | 55 | 110 | mV |
| | | $I_{SINK} = 100\mu\text{A}$ | ● | | 225 | 450 | mV |
| V_{OH} | Output Voltage Swing HIGH | No Load | ● | $V^+ - 0.08$ | $V^+ - 0.04$ | | V |
| | | $I_{SOURCE} = 100\mu\text{A}$ | ● | $V^+ - 0.36$ | $V^+ - 0.18$ | | V |
| I_{SC} | Short-Circuit Current | (Note 5) | ● | 0.6 | 1.1 | | mA |
| I_S | Supply Current per Amplifier | (Note 6) | ● | | 1.2 | 1.8 | μA |

The ● denotes the specifications which apply over the temperature range of $-40^{\circ}\text{C} \leq T_A \leq 85^{\circ}\text{C}$, $V_S = 5\text{V}, 0\text{V}$; $V_S = 3\text{V}, 0\text{V}$; $V_{CM} = V_O = \text{half supply}$, unless otherwise noted. (Note 3)

| SYMBOL | PARAMETER | CONDITIONS | | MIN | TYP | MAX | UNITS |
|--------------|----------------------------------|--|---|--------------|--------------|------|--------------------------------|
| V_{OS} | Input Offset Voltage | $V_S = 5\text{V}$ | ● | | 200 | 475 | μV |
| | | $V_S = 3\text{V}$ | ● | | 250 | 575 | μV |
| | | $V_S = 5\text{V}, \text{MS8 Package}$ | ● | | 200 | 575 | μV |
| | | $V_S = 3\text{V}, \text{MS8 Package}$ | ● | | 250 | 675 | μV |
| $V_{OS\ TC}$ | Input Offset Voltage Drift | (Note 4) | ● | | 0.4 | 2 | $\mu\text{V}/^{\circ}\text{C}$ |
| I_B | Input Bias Current | (Note 5) | ● | | 250 | 1700 | pA |
| | | $V_{CM} = 10\text{V}$ (Note 6) | ● | | 275 | | nA |
| I_{OS} | Input Offset Current | (Note 5) | ● | | 20 | 170 | pA |
| A_{VOL} | Large-Signal Voltage Gain | $V_S = 5\text{V}, V_O = 0.25\text{V to } 4.5\text{V}, R_L = 100\text{k}$ | ● | 55 | 215 | | V/mV |
| | | $V_S = 3\text{V}, V_O = 0.25\text{V to } 2.5\text{V}, R_L = 100\text{k}$ | ● | 30 | 115 | | V/mV |
| | Input Voltage Range | | ● | 0.2 | | 36 | V |
| CMRR | Common Mode Rejection Ratio | $V_{CM} = 0.2\text{V to } 4\text{V}, V_S = 5\text{V}$ | ● | 88 | 106 | | dB |
| | | $V_{CM} = 0.2\text{V to } 10\text{V}, V_S = 5\text{V}$ | ● | | 75 | | dB |
| PSRR | Power Supply Rejection Ratio | $V_S = 2.7\text{V to } 12\text{V}, V_{CM} = V_O = 0.5\text{V}$ | ● | 88 | 99 | | dB |
| | Minimum Operating Supply Voltage | | ● | | 2.6 | 2.7 | V |
| V_{OL} | Output Voltage Swing LOW | No Load | ● | | 60 | 120 | mV |
| | | $I_{SINK} = 100\mu\text{A}$ | ● | | 245 | 490 | mV |
| V_{OH} | Output Voltage Swing HIGH | No Load | ● | $V^+ - 0.10$ | $V^+ - 0.05$ | | mV |
| | | $I_{SOURCE} = 100\mu\text{A}$ | ● | $V^+ - 0.38$ | $V^+ - 0.19$ | | mV |
| I_{SC} | Short-Circuit Current | (Note 5) | ● | 0.4 | 0.9 | | mA |
| I_S | Supply Current per Amplifier | (Note 6) | ● | | 1.5 | 2.3 | μA |

ELECTRICAL CHARACTERISTICS

The ● denotes the specifications which apply over the temperature range of $-40^{\circ}\text{C} \leq T_A \leq 125^{\circ}\text{C}$. $V_S = 5\text{V}, 0\text{V}$; $V_S = 3\text{V}, 0\text{V}$; $V_{\text{CM}} = V_0 =$ half supply, unless otherwise noted. (Note 3)

| SYMBOL | PARAMETER | CONDITIONS | LT1494H/LT1495H/LT1496H | | | UNITS |
|--------------------|------------------------------|--|-------------------------|-------------|-------------|--------------------------------|
| | | | MIN | TYP | MAX | |
| V_{OS} | Input Offset Voltage | $V_S = 5\text{V}$ | ● | 225 | 875 | μV |
| | | $V_S = 3\text{V}$ | ● | 275 | 975 | μV |
| $V_{\text{OS TC}}$ | Input Offset Voltage Drift | (Note 4) | ● | 0.4 | 3 | $\mu\text{V}/^{\circ}\text{C}$ |
| I_B | Input Bias Current | (Note 5) | ● | 3.8 | 10 | nA |
| | | $V_{\text{CM}} = 10\text{V}$ (Note 6) | ● | 0.300 | 2 | μA |
| I_{OS} | Input Offset Current | (Note 5) | ● | 0.3 | 2 | nA |
| A_{VOL} | Large-Signal Voltage Gain | $V_S = 5\text{V}, V_0 = 0.25\text{V to } 4.5\text{V}, R_L = 100\text{k}$ | ● | 4 | 25 | V/mV |
| | | $V_S = 3\text{V}, V_0 = 0.25\text{V to } 2.5\text{V}, R_L = 100\text{k}$ | ● | 2 | 17 | V/mV |
| | Input Voltage Range | | ● | 0.5 | 36 | V |
| CMRR | Common Mode Rejection Ratio | $V_{\text{CM}} = 0.5\text{V to } 4\text{V}, V_S = 5\text{V}$ | ● | 72 | 95 | dB |
| | | $V_{\text{CM}} = 0.5\text{V to } 10\text{V}, V_S = 5\text{V}$ | ● | | 85 | dB |
| PSRR | Power Supply Rejection Ratio | $V_S = 2.7\text{V to } 12\text{V}, V_{\text{CM}} = V_0 = 0.5\text{V}$ | ● | 86 | 105 | dB |
| | | Minimum Operating Supply Voltage | ● | | 2.7 | V |
| V_{OL} | Output Voltage Swing LOW | No Load | ● | 70 | 160 | mV |
| | | $I_{\text{SINK}} = 100\mu\text{A}$ | ● | 275 | 550 | mV |
| V_{OH} | Output Voltage Swing HIGH | No Load | ● | $V^+ - 140$ | $V^+ - 45$ | mV |
| | | $I_{\text{SOURCE}} = 100\mu\text{A}$ | ● | $V^+ - 450$ | $V^+ - 225$ | mV |
| I_S | Supply Current per Amplifier | (Note 6) | ● | 2 | 5 | μA |

$T_A = 25^{\circ}\text{C}$, $V_S = \pm 15\text{V}$, $V_{\text{CM}} = V_0 = 0\text{V}$, unless otherwise noted.

| SYMBOL | PARAMETER | CONDITIONS | MIN | TYP | MAX | UNITS |
|------------------|------------------------------|--|-------|--------|--------|---------------|
| V_{OS} | Input Offset Voltage | | | 200 | 575 | μV |
| | | MS8 Package | | 200 | 675 | μV |
| I_B | Input Bias Current | | | 25 | 1000 | pA |
| I_{OS} | Input Offset Current | | | 20 | 100 | pA |
| A_{VOL} | Large-Signal Voltage Gain | $V_0 = \pm 10\text{V}, R_L = 100\text{k}$ | 100 | 360 | | V/mV |
| | | Input Voltage Range | -15 | | 21 | V |
| CMRR | Common Mode Rejection Ratio | $V_{\text{CM}} = -15\text{V to } 14\text{V}$ | 100 | 120 | | dB |
| PSRR | Power Supply Rejection Ratio | $V_S = \pm 5\text{V to } \pm 15\text{V}$ | 96 | 120 | | dB |
| V_{OL} | Output Voltage Swing LOW | $R_L = 1\text{M}$ | | -14.85 | -14.70 | V |
| | | $R_L = 100\text{k}$ | | -14.75 | -14.50 | V |
| V_{OH} | Output Voltage Swing HIGH | $R_L = 1\text{M}$ | 14.78 | 14.89 | | V |
| | | $R_L = 100\text{k}$ | 14.62 | 14.81 | | V |
| I_{SC} | Short-Circuit Current | | 0.7 | 1.5 | | mA |
| I_S | Supply Current per Amplifier | | | 1.4 | 2.0 | μA |

ELECTRICAL CHARACTERISTICS

The ● denotes the specifications which apply over the temperature range of $0^{\circ}\text{C} \leq T_A \leq 70^{\circ}\text{C}$, $V_S = \pm 15\text{V}$, $V_{CM} = V_O = 0\text{V}$, unless otherwise noted. (Note 3)

| SYMBOL | PARAMETER | CONDITIONS | | MIN | TYP | MAX | UNITS |
|-----------|------------------------------|--|---|-------|--------|--------|---------------|
| V_{OS} | Input Offset Voltage | | ● | | 225 | 625 | μV |
| | | MS8 Package | ● | | 225 | 725 | μV |
| I_B | Input Bias Current | | ● | | 250 | 1200 | pA |
| I_{OS} | Input Offset Current | | ● | | 20 | 120 | pA |
| A_{VOL} | Large-Signal Voltage Gain | $V_O = \pm 10\text{V}$, $R_L = 100\text{k}$ | ● | 60 | 240 | | V/mV |
| | | Input Voltage Range | ● | -14.8 | | 21 | V |
| CMRR | Common Mode Rejection Ratio | $V_{CM} = -14.8\text{V}$ to 14V | ● | 98 | 120 | | dB |
| PSRR | Power Supply Rejection Ratio | $V_S = \pm 5\text{V}$ to $\pm 15\text{V}$ | ● | 94 | 120 | | dB |
| V_{OL} | Output Voltage Swing LOW | $R_L = 1\text{M}$ | ● | | -14.84 | -14.67 | V |
| | | $R_L = 100\text{k}$ | ● | | -14.73 | -14.46 | V |
| V_{OH} | Output Voltage Swing HIGH | $R_L = 1\text{M}$ | ● | 14.76 | 14.88 | | V |
| | | $R_L = 100\text{k}$ | ● | 14.58 | 14.79 | | V |
| I_{SC} | Short-Circuit Current | | ● | 0.6 | 1.3 | | mA |
| I_S | Supply Current per Amplifier | | ● | | 1.6 | 2.4 | μA |

The ● denotes the specifications which apply over the temperature range of $-40^{\circ}\text{C} \leq T_A \leq 85^{\circ}\text{C}$, $V_S = \pm 15\text{V}$, $V_{CM} = V_O = 0\text{V}$, unless otherwise noted. (Note 3)

| SYMBOL | PARAMETER | CONDITIONS | | MIN | TYP | MAX | UNITS |
|-----------|------------------------------|--|---|-------|--------|--------|---------------|
| V_{OS} | Input Offset Voltage | | ● | | 250 | 675 | μV |
| | | MS8 Package | ● | | 250 | 775 | μV |
| I_B | Input Bias Current | | ● | | 250 | 1700 | pA |
| I_{OS} | Input Offset Current | | ● | | 20 | 170 | pA |
| A_{VOL} | Large-Signal Voltage Gain | $V_O = \pm 10\text{V}$, $R_L = 100\text{k}$ | ● | 50 | 200 | | V/mV |
| | | Input Voltage Range | ● | -14.8 | | 21 | V |
| CMRR | Common Mode Rejection Ratio | $V_{CM} = -14.8\text{V}$ to 14V | ● | 96 | 114 | | dB |
| PSRR | Power Supply Rejection Ratio | $V_S = \pm 5\text{V}$ to $\pm 15\text{V}$ | ● | 92 | 120 | | dB |
| V_{OL} | Output Voltage Swing LOW | $R_L = 1\text{M}$ | ● | | -14.83 | -14.66 | V |
| | | $R_L = 100\text{k}$ | ● | | -14.72 | -14.44 | V |
| V_{OH} | Output Voltage Swing HIGH | $R_L = 1\text{M}$ | ● | 14.74 | 14.87 | | V |
| | | $R_L = 100\text{k}$ | ● | 14.54 | 14.77 | | V |
| I_{SC} | Short-Circuit Current | | ● | 0.4 | 1.1 | | mA |
| I_S | Supply Current per Amplifier | | ● | | 2.0 | 3.0 | μA |

ELECTRICAL CHARACTERISTICS

The ● denotes the specifications which apply over the temperature range of $-40^{\circ}\text{C} \leq T_A \leq 125^{\circ}\text{C}$. $V_S = \pm 15\text{V}$, $V_{CM} = V_O = \text{half supply}$, unless otherwise noted. (Note 3)

| SYMBOL | PARAMETER | CONDITIONS | LT1494H/LT1495H/LT1496H | | | UNITS |
|-----------|------------------------------|--|-------------------------|--------|-------|---------------|
| | | | MIN | TYP | MAX | |
| V_{OS} | Input Offset Voltage | | ● | 275 | 1100 | μV |
| I_B | Input Bias Current | | ● | 3.8 | 10 | nA |
| I_{OS} | Input Offset Current | | ● | 0.3 | 2 | nA |
| A_{VOL} | Large-Signal Voltage Gain | $V_O = \pm 10\text{V}$, $R_L = 100\text{k}$ | ● | 21 | 70 | V/mV |
| | Input Voltage Range | | ● | -14.5 | 21 | V |
| CMRR | Common Mode Rejection Ratio | $V_{CM} = -14.5\text{V}$ to 14V | ● | 69 | 90 | dB |
| PSRR | Power Supply Rejection Ratio | $V_S = \pm 5\text{V}$ to $\pm 15\text{V}$ | ● | 89 | 115 | dB |
| V_{OL} | Output Voltage Swing LOW | $R_L = 1\text{M}$ $R_L = 100\text{k}$ | ● | -14.80 | -14.4 | V |
| | | | ● | -14.69 | -14.2 | V |
| V_{OH} | Output Voltage Swing HIGH | $R_L = 1\text{M}$ $R_L = 100\text{k}$ | ● | 14.5 | 14.85 | V |
| | | | ● | 14.3 | 14.73 | V |
| I_S | Supply Current per Amplifier | | ● | 3 | 6 | μA |

Note 1: Absolute Maximum Ratings are those values beyond which the life of the device may be impaired.

Note 2: The LT1494C/LT1495C/LT1496C and LT1494I/LT1495I/LT1496I are guaranteed functional over the operating temperature range of -40°C to 85°C . The LT1494H/LT1495H/LT1496H are guaranteed functional over the operating temperature range of -40°C to 125°C .

Note 3: The LT1494C/LT1495C/LT1496C are guaranteed to meet specified performance from 0°C to 70°C . The LT1494C/LT1495C/LT1496C are designed, characterized and expected to meet specified performance from

-40°C to 85°C but are not tested or QA sampled at these temperatures. The LT1494I/LT1495I/LT1496I are guaranteed to meet specified performance from -40°C to 85°C . The LT1494H/LT1495H/LT1496H are guaranteed to meet specified performance from -40°C to 125°C .

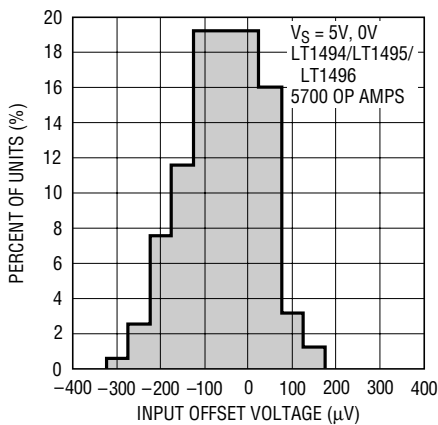
Note 4: This parameter is not 100% tested.

Note 5: $V_S = 5\text{V}$ limits are guaranteed by correlation to $V_S = 3\text{V}$ and $V_S = \pm 15\text{V}$ tests.

Note 6: $V_S = 3\text{V}$ limits are guaranteed by correlation to $V_S = 5\text{V}$ and $V_S = \pm 15\text{V}$ tests.

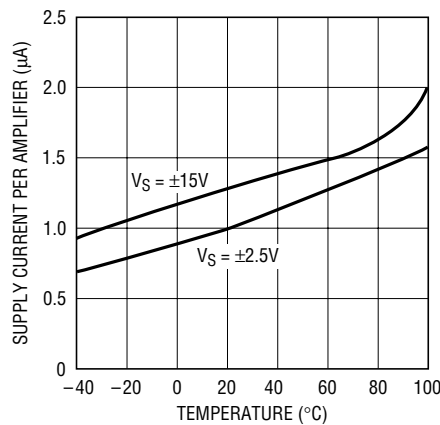
TYPICAL PERFORMANCE CHARACTERISTICS

Distribution of Input Offset Voltage



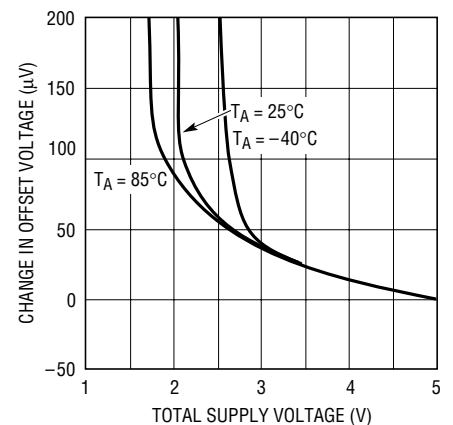
1495 G01

Supply Current vs Temperature



1495 G02

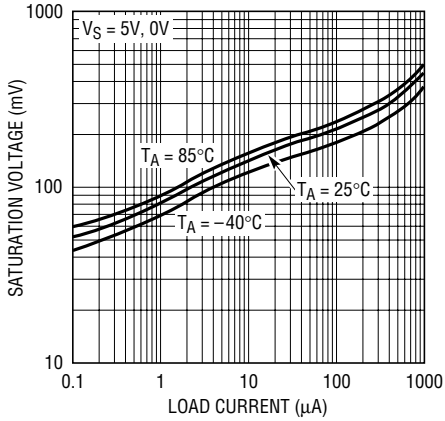
Minimum Supply Voltage



1495 G03

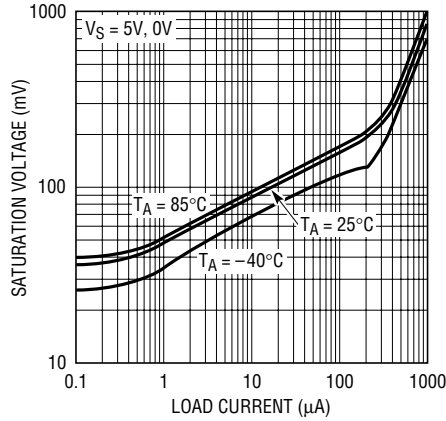
TYPICAL PERFORMANCE CHARACTERISTICS

Output Saturation Voltage vs Load Current (Output Low)



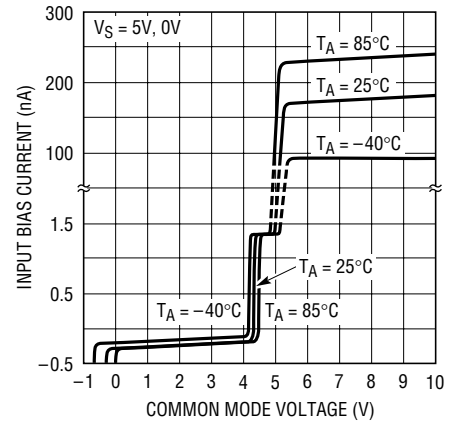
1495 G04

Output Saturation Voltage vs Load Current (Output High)



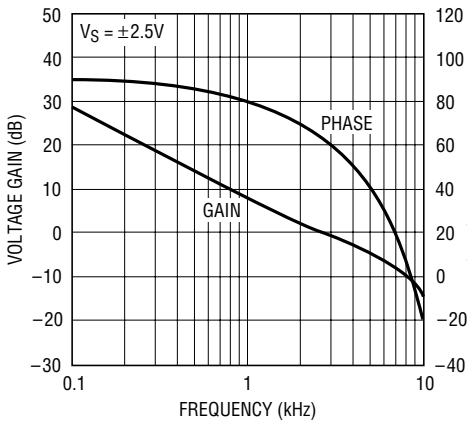
1495 G05

Input Bias Current vs Common Mode Voltage



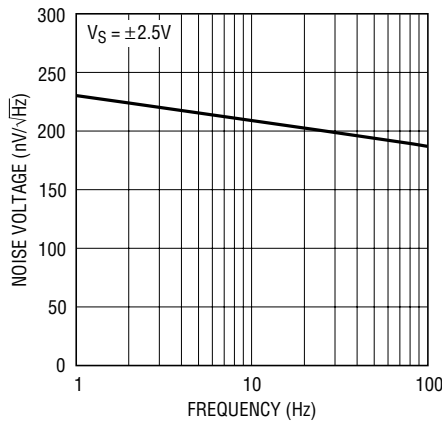
1495 G06

Gain and Phase Shift vs Frequency



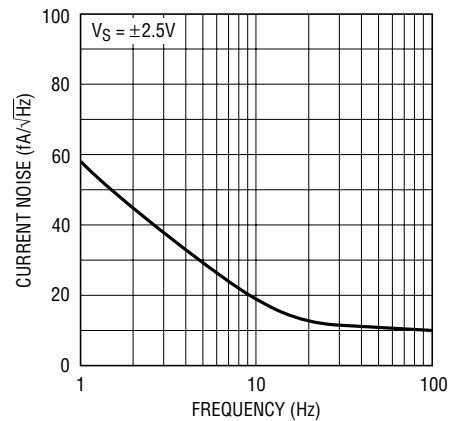
1495 G10

Noise Voltage Spectrum



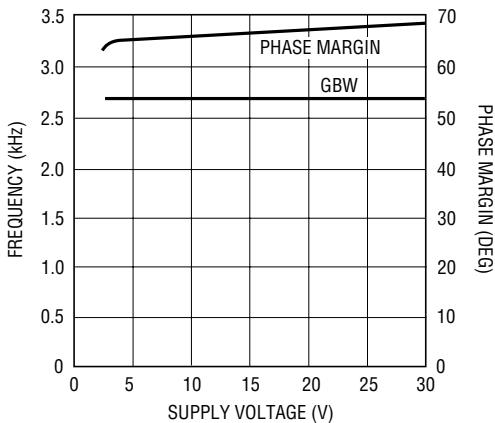
1495 G08

Noise Current Spectrum



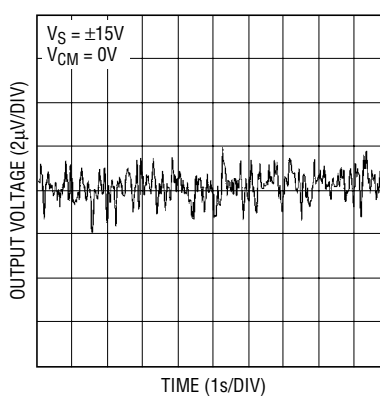
1495 G09

Gain Bandwidth and Phase Margin vs Supply Voltage



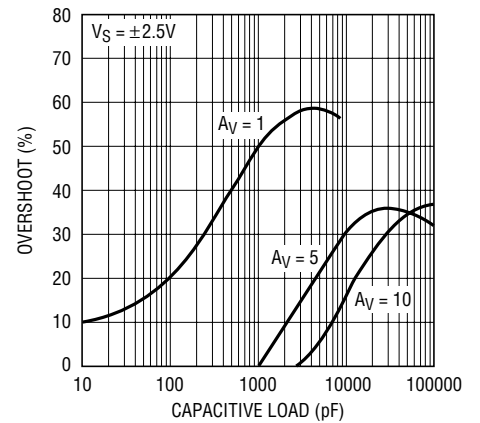
1495 G11

0.1Hz to 10Hz Output Voltage Noise



1495 G07

Capacitive Load Handling



1495 G12

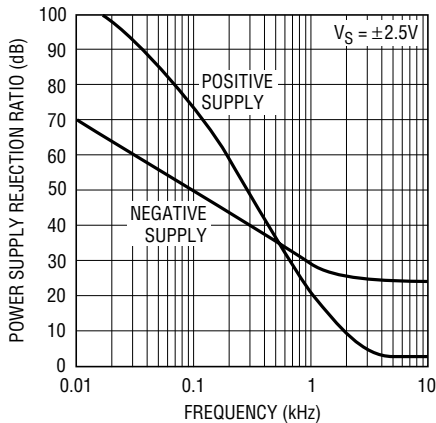
TYPICAL PERFORMANCE CHARACTERISTICS

Common Mode Rejection Ratio vs Frequency



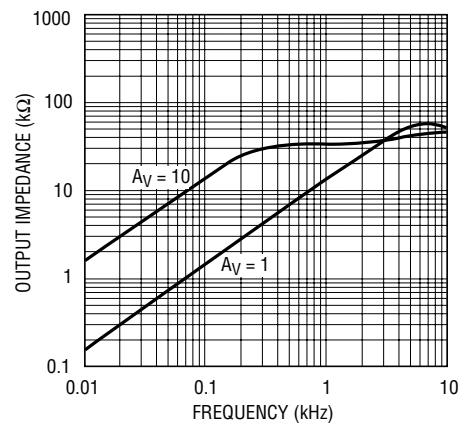
1495 G13

Power Supply Rejection Ratio vs Frequency



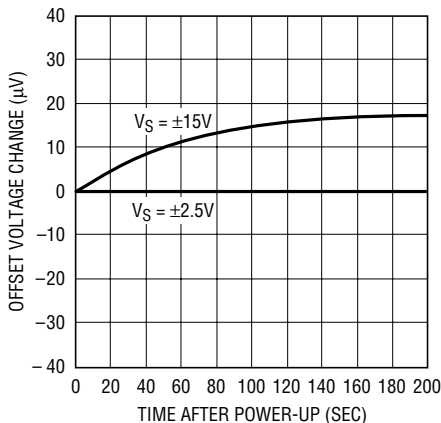
1495 G14

Output Impedance vs Frequency



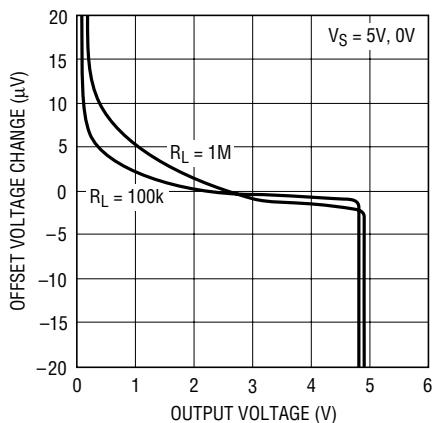
1495 G15

Warm-Up Drift vs Time



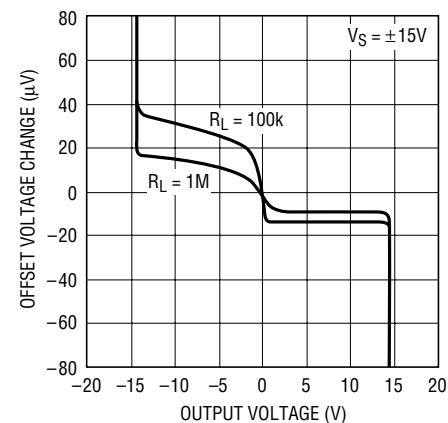
1495 G16

Open-Loop Gain VS = 5V, 0V



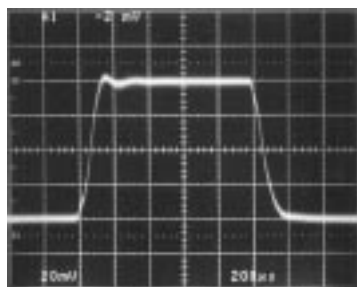
1495 G17

Open-Loop Gain VS = ±15V



1495 G18

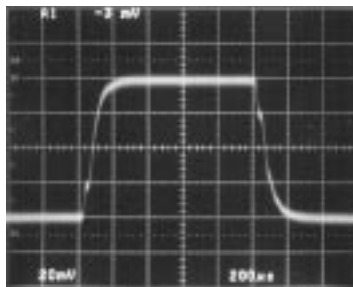
Small-Signal Response VS = ±15V



1495 G19

VS = ±15V
RL = 1M
CL = 100pF

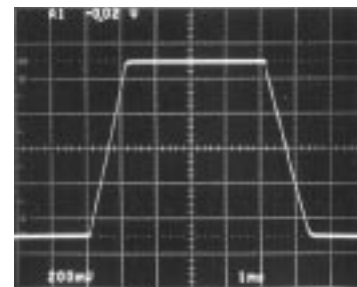
Small-Signal Response VS = 5V, 0V



1495 G20

VS = 5V, 0V
RL = 1M
CL = 100pF

Large-Signal Response VS = 5V, 0V



1495 G21

VS = 5V, 0V
RL = 1M
CL = 100pF

APPLICATIONS INFORMATION

Start-Up Characteristics

Micropower op amps are sometimes not micropower during start-up, wreaking havoc on low current supplies. In the worst case, there may not be enough supply current available to take the system up to nominal voltages. Figure 1 is a graph of LT1495 supply current vs supply voltage for the three limit cases of input offset that could occur during start-up. The circuits are shown in Figure 2. One circuit creates a positive offset, forcing the output to come up saturated high. Another circuit creates a negative offset, forcing the output to come up saturated low, while the last brings up the output at half supply. In all cases, the supply current is well behaved. Supply current is highest with the output forced high, so if one amplifier is unused, it is best to force the output low or at half supply.



Figure 1. Start-Up Characteristics

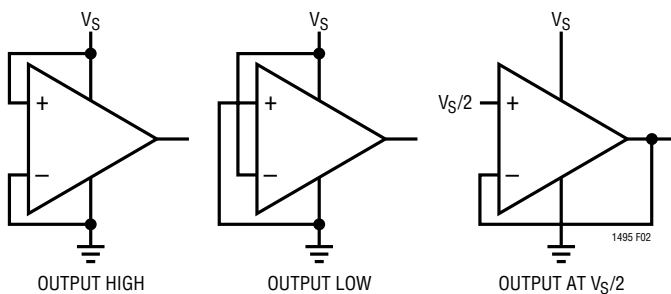


Figure 2. Circuits for Start-Up Characteristics

Reverse Battery

The LT1494/LT1495/LT1496 are protected against reverse battery voltages up to 18V. In the event a reverse battery condition occurs, the supply current is typically less than 100nA (inputs grounded and outputs open). For typical single supply applications with ground referred loads and feedback networks, no other precautions are required. If the reverse battery condition results in a negative voltage at either the input pins or output pin, the current into the pin should be limited by an external resistor to less than 10mA.

Inputs

While the LT1494/LT1495/LT1496 will function normally with its inputs taken above the positive supply, the common mode range does not extend beyond approximately 300mV below the negative supply at room temperature. The device will not be damaged if the inputs are taken lower than 300mV below the negative supply as long as the current out of the pin is limited to less than 10mA. However, the output phase is not guaranteed and the supply current will increase.

Output

The graph, Capacitive Load Handling, shows amplifier stability with the output biased at half supply. If the output is to be operated within about 100mV of the positive rail, the allowable load capacitance is less. With this output voltage, the worst case occurs at A_V = 1 and light loads, where the load capacitance should be less than 500pF with a 5V supply and less than 100pF with a 30V supply.

Rail-to-Rail Operation

The simplified schematic, Figure 3, details the circuit design approach of the LT1494/LT1495/LT1496. The amplifier topology is a three-stage design consisting of a rail-to-rail input stage, that continues to operate with the inputs above the positive rail, a folded cascode second stage that develops most of the voltage gain, and a rail-to-rail common emitter stage that provides the current gain.

APPLICATIONS INFORMATION



Figure 3. Simplified Schematic

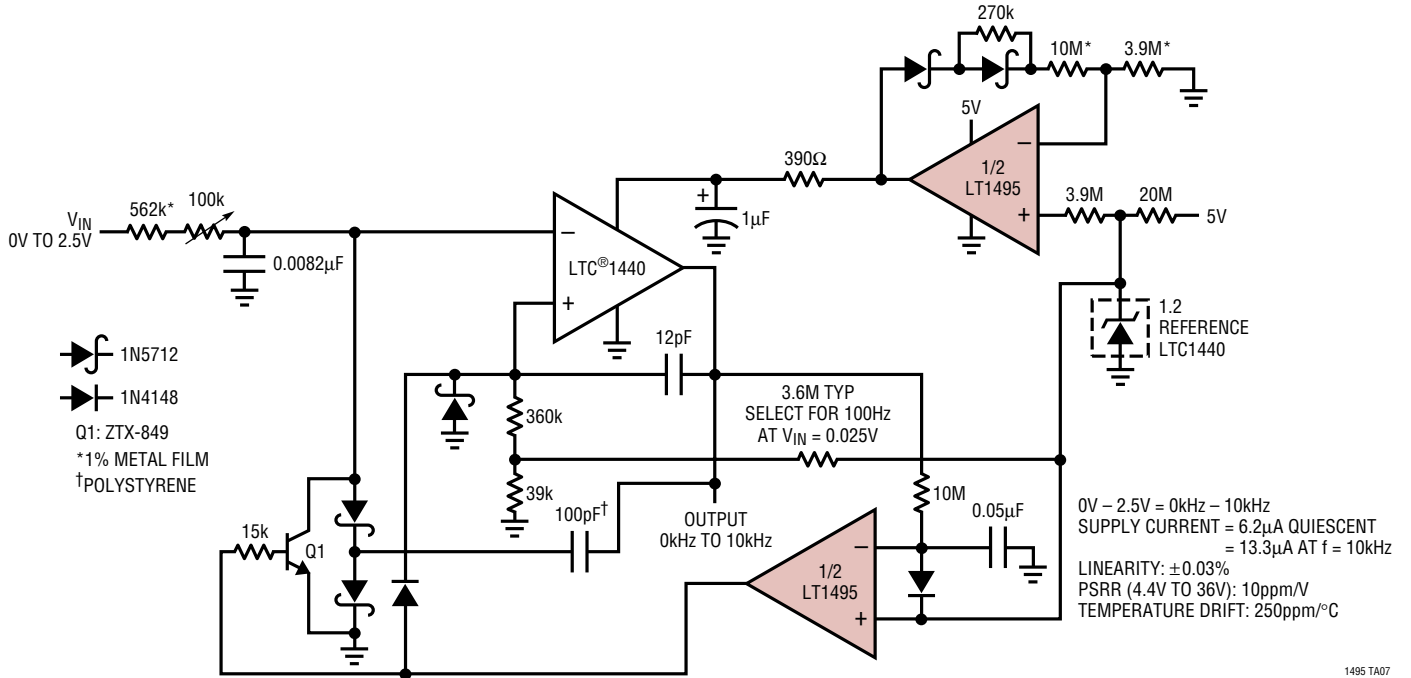
The input stage is formed by two diff amps Q1-Q2 and Q3-Q6. For signals with a common mode voltage between V_{EE} and $(V_{CC} - 0.8V)$, Q1 and Q2 are active. When the input common mode exceeds $(V_{CC} - 0.8V)$, Q7 turns on, diverting the current from diff amp Q1-Q2 to current mirror Q8-Q9. The current from Q8 biases on the other diff amp consisting of PNP's Q5-Q6 and NPN's Q3-Q4. Though Q5-Q6 are driven from the emitters rather than the base, the basic diff amp action is the same. When the common mode voltage is between $(V_{CC} - 0.8V)$ and V_{CC} , devices Q3 and Q4 act as followers, forming a buffer between the amplifier inputs and the emitters of the Q5-Q6. If the common mode voltage is taken above V_{CC} , Schottky diodes D1 and D2 reverse bias and devices Q3 and Q4 then

act as diodes. The diff amp formed by Q5-Q6 operates normally, however, the input bias current increases to the emitter current of Q5-Q6, which is typically 180nA. The graph, Input Bias Current vs Common Mode Voltage found in the Typical Performance Characteristics section, shows these transitions at three temperatures.

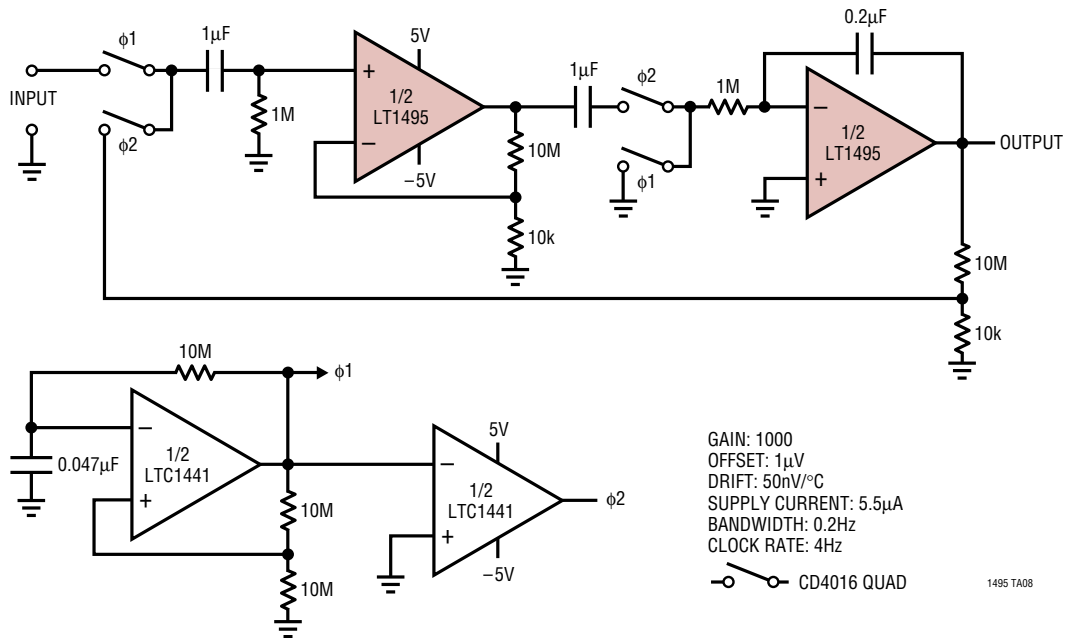
The collector currents of the two-input pairs are combined in the second stage consisting of Q11 to Q16, which furnishes most of the voltage gain. Capacitor C1 sets the amplifier bandwidth. The output stage is configured for maximum swing by the use of common emitter output devices Q21 and Q22. Diodes D4 to D6 and current source Q15 set the output quiescent current.

TYPICAL APPLICATIONS

13µA, 0kHz to 10kHz Voltage to Frequency Converter

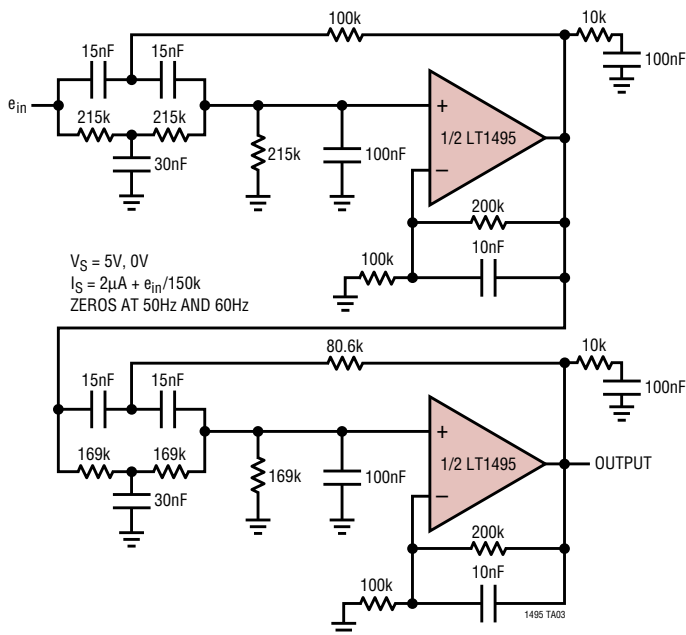


6µA, $A_V = 1000$, Chopper Stabilized Amplifier

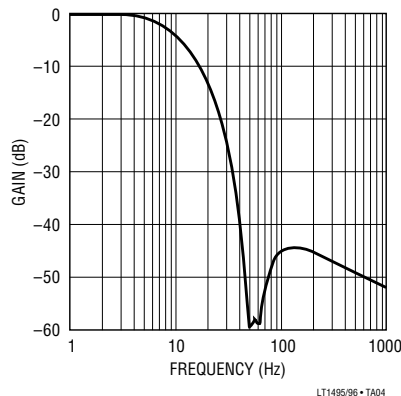


TYPICAL APPLICATIONS

6th Order 10Hz Elliptic Lowpass Filter



Filter Frequency Response

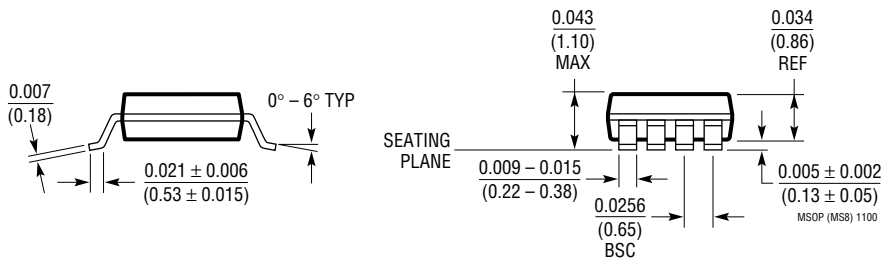
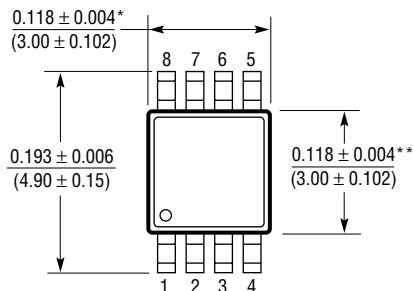


PACKAGE DESCRIPTION

MS8 Package

8-Lead Plastic MSOP

(Reference LTC DWG # 05-08-1660)



* DIMENSION DOES NOT INCLUDE MOLD FLASH, PROTRUSIONS OR GATE BURRS. MOLD FLASH, PROTRUSIONS OR GATE BURRS SHALL NOT EXCEED 0.006* (0.152mm) PER SIDE

** DIMENSION DOES NOT INCLUDE INTERLEAD FLASH OR PROTRUSIONS. INTERLEAD FLASH OR PROTRUSIONS SHALL NOT EXCEED 0.006* (0.152mm) PER SIDE

PACKAGE DESCRIPTION

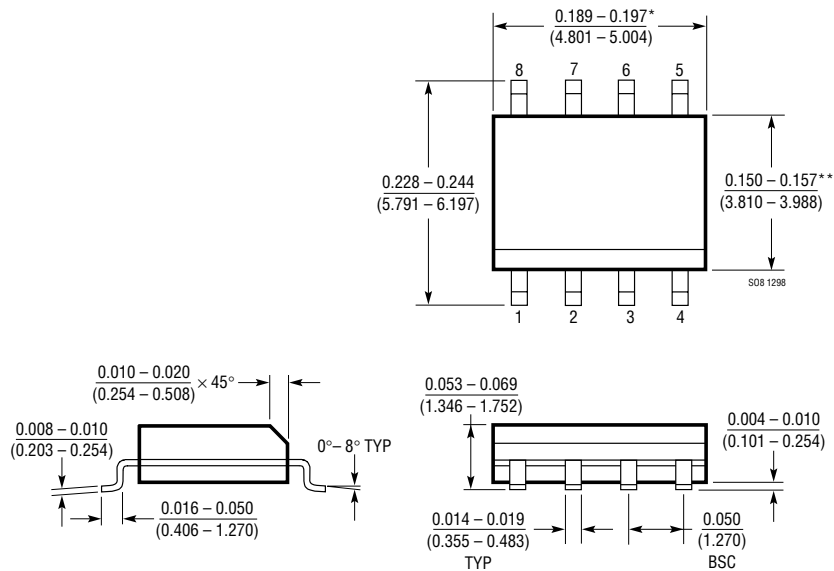
N8 Package
8-Lead PDIP (Narrow .300 Inch)
 (Reference LTC DWG # 05-08-1510)



*THESE DIMENSIONS DO NOT INCLUDE MOLD FLASH OR PROTRUSIONS.
 MOLD FLASH OR PROTRUSIONS SHALL NOT EXCEED 0.010 INCH (0.254mm)

IN8 1098

S8 Package
8-Lead Plastic Small Outline (Narrow .150 Inch)
 (Reference LTC DWG # 05-08-1610)

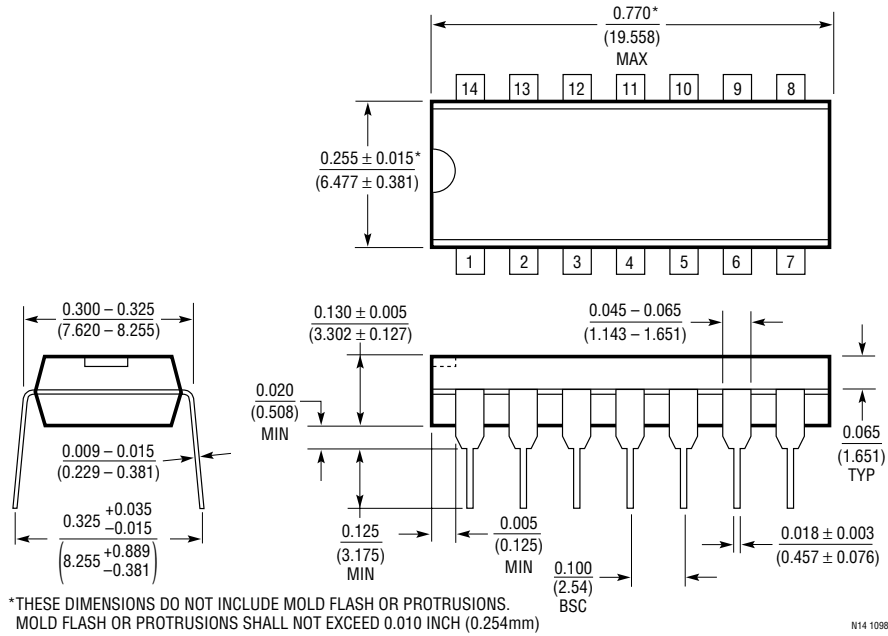


*DIMENSION DOES NOT INCLUDE MOLD FLASH. MOLD FLASH SHALL NOT EXCEED 0.006" (0.152mm) PER SIDE

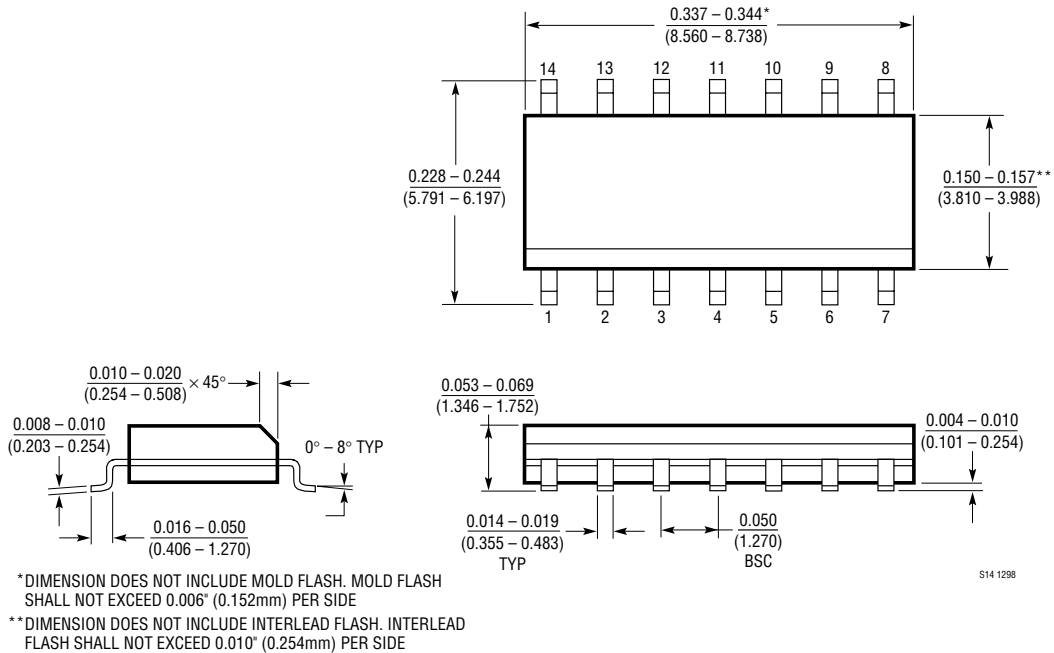
**DIMENSION DOES NOT INCLUDE INTERLEAD FLASH. INTERLEAD FLASH SHALL NOT EXCEED 0.010" (0.254mm) PER SIDE

PACKAGE DESCRIPTION

N Package
14-Lead PDIP (Narrow .300 Inch)
 (Reference LTC DWG # 05-08-1510)



S Package
14-Lead Plastic Small Outline (Narrow .150 Inch)
 (Reference LTC DWG # 05-08-1610)

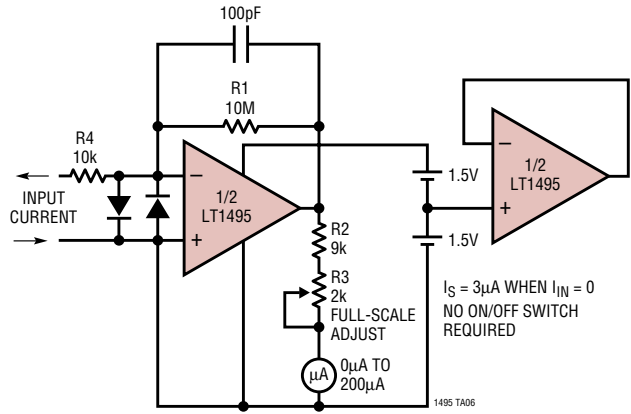


TYPICAL APPLICATIONS

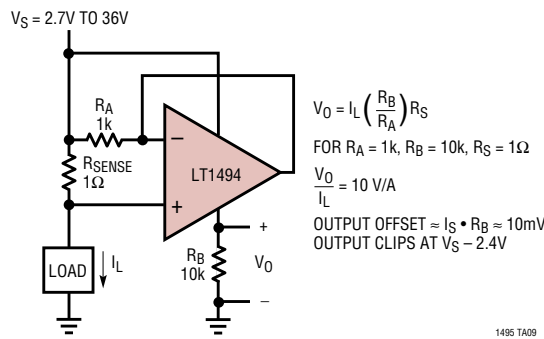
Battery Current Monitor



OnA to 200nA Current Meter



High Side Current Sense



RELATED PARTS

| PART NUMBER | DESCRIPTION | COMMENTS |
|----------------------|---|--|
| LTC®1440/41/42 | Micropower Single/Dual Comparators with 1% Reference | LTC1440: Single, LTC1441/42: Dual |
| LTC1443/44/45 | Micropower Quad Comparators with 1% Reference | LTC1443: 1.182 Reference LTC1444/45: 1.221V Reference and Adjustable Hysteresis |
| LT1466/LT1467 | 75μA Dual/Quad Rail-to-Rail Input and Output Op Amps | 390μV V _{OS(MAX)} , Gain Bandwidth = 120kHz |
| LT1490A/LT1491A | 50μA Dual/Quad Rail-to-Rail Input and Output Op Amps | 950μV V _{OS(MAX)} , Gain Bandwidth = 200kHz |
| LTC1540 | Nanopower Single Comparator with 1% Reference | 350nA Supply Current |
| LT1636 | Single Over-The-Top Micropower, Rail-to-Rail Input and Output Op Amp | 225μV V _{OS(MAX)} , I _S = 55μA (MAX), Gain-Bandwidth = 200kHz Shutdown Pin, MSOP |
| LT1672/LT1673/LT1674 | 2μA MAX, A _V ≥ 5 Single/Dual/Quad Over-The-Top Precision Rail-to-Rail Input and Output Op Amps | Decompensated Version of the LT1494/LT1495/LT1496 A _V ≥ 5, Gain-Bandwidth = 12kHz |
| LT2078/LT2079 | 55μA Dual/Quad Single Supply Op Amps | 120μV V _{OS(MAX)} , Gain Bandwidth = 200kHz |
| LT2178/LT2179 | 17μA Dual/Quad Single Supply Op Amps | 120μV V _{OS(MAX)} , Gain Bandwidth = 60kHz |
| LT1782 | Micropower, Over-The-Top, SOT-23, Rail-to-Rail Input and Output Op Amp | SOT-23, 800μV V _{OS(MAX)} , I _S = 55μA (Max), Gain-Bandwidth = 200kHz, Shutdown Pin |
| LT1783 | 1.2MHz, Over-The-Top, Micropower, Rail-to-Rail Input and Output Op Amp in SOT-23 | SOT-23, 800μV V _{OS(MAX)} , I _S = 300μA (Max), Gain-Bandwidth = 1.2MHz, Shutdown Pin |

Looking for pricing, stock, or lifecycle information?

Click below to explore more details on WIN SOURCE:

 [View LT1495IN8#PBF on WIN SOURCE](#)

 [Linear Technology](#) Information

Optimize Your Supply Chain with WIN SOURCE Solutions

-  Global Sourcing Solution
-  Obsolete Management
-  Cost Control Management
-  Shortage Management
-  Alternative Solution
-  Excess Inventory Management