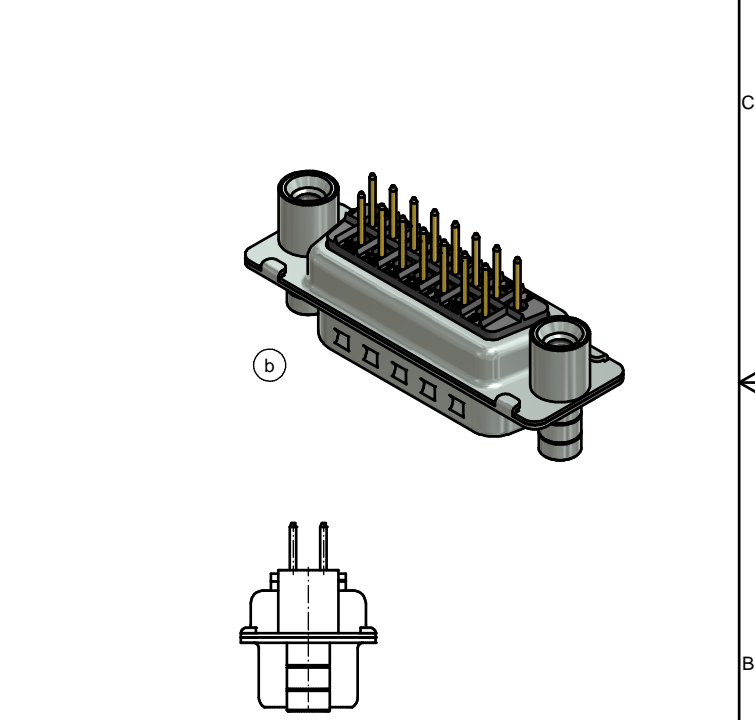
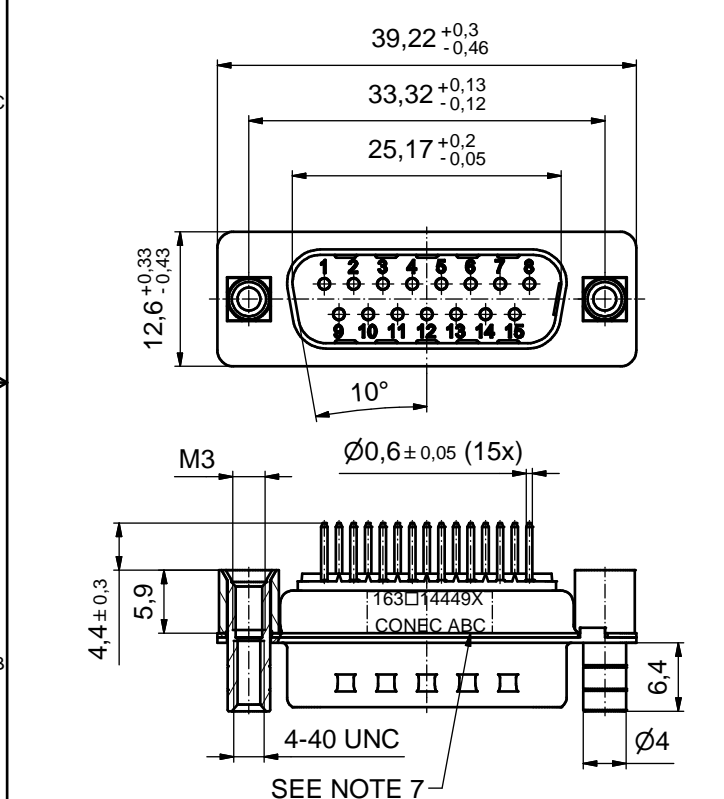
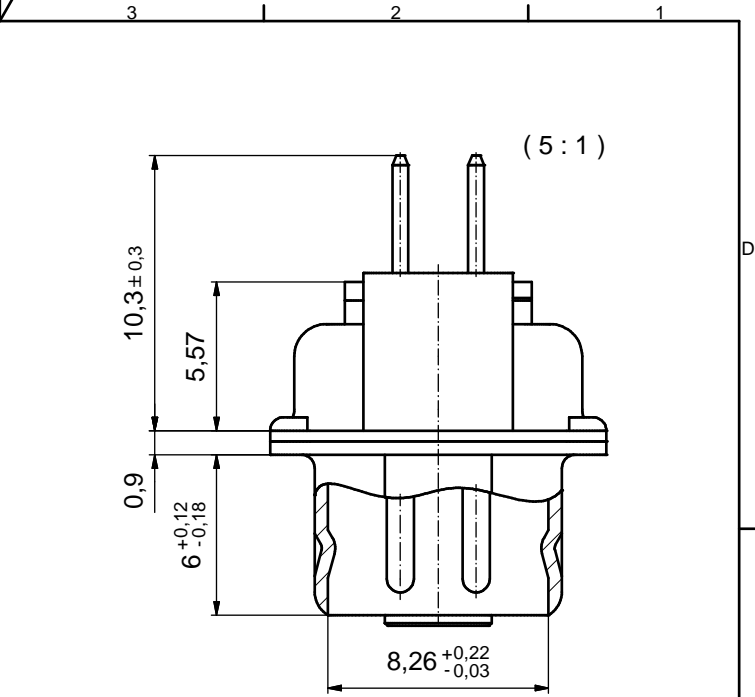
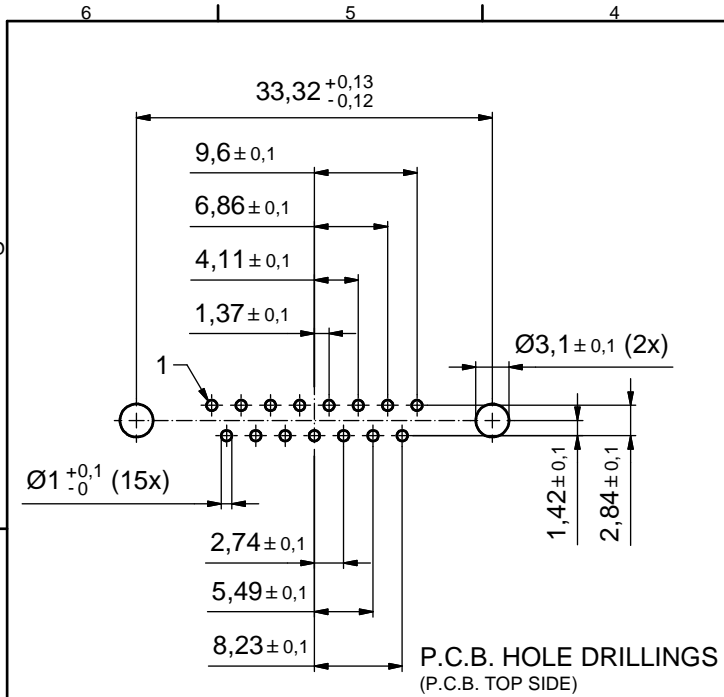




**THE DATASHEET OF
163A14449X**





- NOTES:** (b)
- METALSHELLS: STEEL; min. 315µm TIN over 40-80µm NICKEL
 - INSULATORS: PBT GF UL 94 V-0; BLACK
 - CONTACTS: COPPER ALLOY; PLATING (SEE PART NO.):
 - PLEASE ADD A for GOLD FLASH over NICKEL (PREFERRED TYPE)
 - PLEASE ADD B for 20µm HARD GOLD over min. 50µm NICKEL
 - PLEASE ADD C for 30µm HARD GOLD over min. 50µm NICKEL
 - THREADED REAR SPACERS/FRONT THREADED LOCKS: COPPER ALLOY; min. 200µm TIN over 80µm NICKEL
 - SLEEVES: COPPER ALLOY; min. 200µm TIN over 80µm NICKEL
 - MAXIMUM TORQUE VALUE FOR THREAD: 6 in.LB
 - CONNECTOR IS PART MARKED: 163□14449X CONEC ABC (see note 3)

RoHS compliant



THIS DRAWING MAY NOT BE COPIED OR REPRODUCED IN ANY WAY, AND MAY NOT BE PASSED ON TO A THIRD PARTY WITHOUT WRITTEN PERMISSION. OWNERSHIP AND COPYRIGHT OF CONEC GmbH DO NOT ALTER CAD DRAWING BY HAND	tolerance		dim. in mm		scale: 2:1 (5:1)	
					material: SEE NOTES	
			date		title:	
			name		D-SUB MALE 15pos. SOLDER PIN STRAIGHT with threaded rear spacer/front threaded lock	
			drawn 29.09.2015 M.Heinrich			
			appd. 29.09.2015 Lehmenkühler			
			norm			
		d-old		16K1A1729		
4 x b	Ä5835	29.09.15	Heinrich	dwg no:		
a	Original			16K1A3718 (b)		
rev.	description	date	name	part no: (b) 163□14449X (see note 3)		



DIN-A3
sh: 1

Looking for pricing, stock, or lifecycle information?

Click below to explore more details on WIN SOURCE:

-  [View 163A14449X on WIN SOURCE](#)
-  [Conec Information](#)

Optimize Your Supply Chain with WIN SOURCE Solutions

-  Global Sourcing Solution
-  Obsolete Management
-  Cost Control Management
-  Shortage Management
-  Alternative Solution
-  Excess Inventory Management