

WIN*SOURCE*
ELECTRONICS

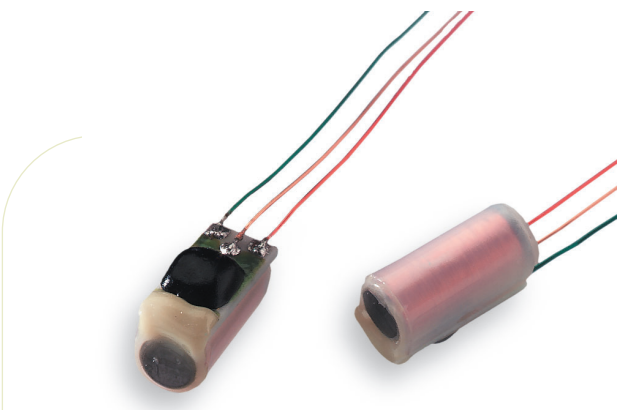
THE DATASHEET OF
5300-253485





model **5300**
ACTIVE TELECOIL

technical datasheet



> **features** <

- RFI Suppression (Radio Frequency Interference)
- Integrated preamplifier
- ESD protection
- Plastic sleeve to protect coil
- Optional sleeveless version
- Insulated leads

> **specifications** <

Mechanical Data

Length	5.33 mm (max.)
Width	2.54 mm (max.)
Height	3.32 mm (max.)

Electrical Data

Parameter	Min.	Typ.	Max.	Units
Current		70	100	µA
Output Voltage	350	580	800	mVDC
Output Impedance@1 kHz		4000		Ω
Magnetic Sensitivity				
200 Hz	-68.0	-65.0	-62.0	dB re 1V
1000 Hz	-54.5	-52.5	-50.5	dB re 1V
5000 Hz	-49.0	-47.0	-45.0	dB re 1V
Peak Output Swing	±38			mV

Test Conditions for electrical data:

Supply Voltage	1.30 VDC
Temperature	25°C
Magnetic Field	1 A/m
Major Axis	Parallel to magnetic field

Environmental Data

Operating Temperature	-10°C to 40°C
Storage Temperature	-20°C to 70°C

Maximum Ratings

Supply Voltage	5 VDC (min. 1.1 VDC)
Power Dissipation	25 mW

Construction

Leads	36 AWG solid insulated
Coil Sheath	Plastic

Specifications subject to change.

+1-630-250-5100

1151 Maplewood Dr.
Itasca, IL 60143 USA

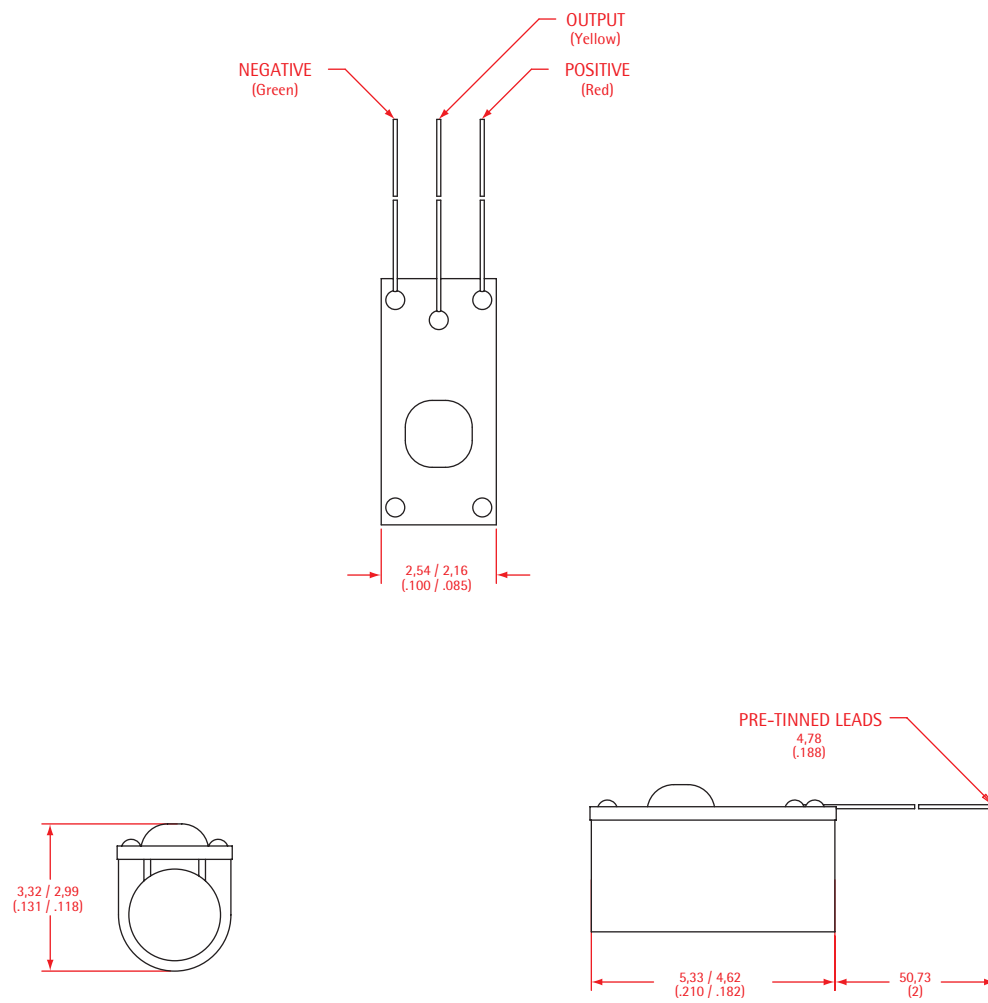




model **5300** ACTIVE TELECOIL

dimensions (sleeved version)

Dimensions shown
in millimeters (inches
in parentheses).

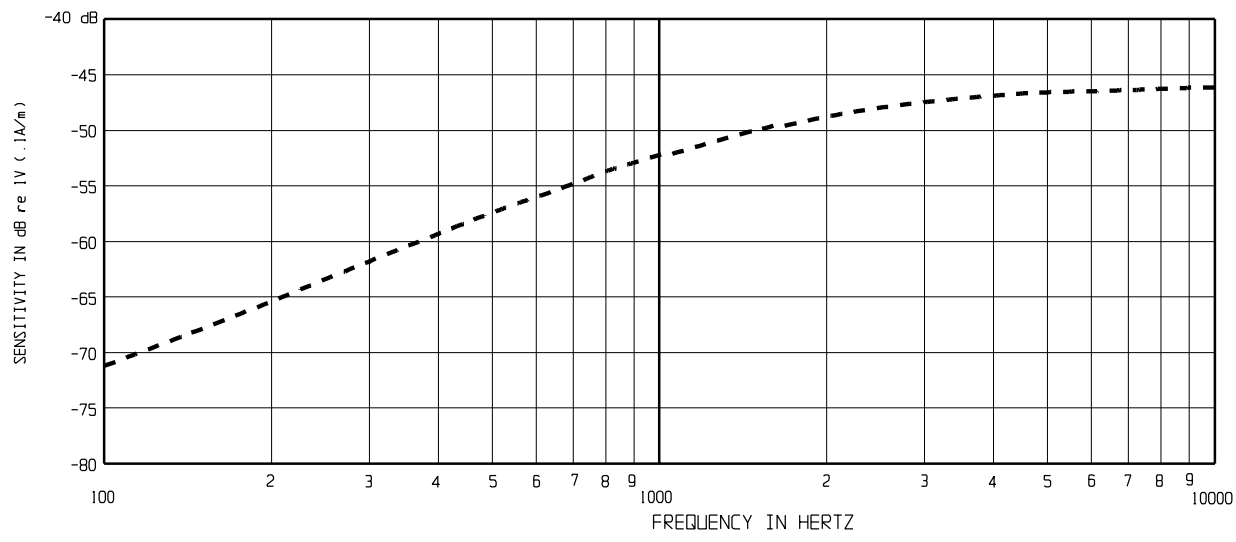


1151 Maplewood Dr.
Itasca, IL 60143 USA +1-630-250-5100

model **5300** ACTIVE TELECOIL



normal responsive curve



+1-630-250-5100

1151 Maplewood Dr.
Itasca, IL 60143 USA





model **5300** ACTIVE TELECOIL

>ordering<

How to order— Specify part number
5300-153069 for sleeved and 5300-
153081 for sleeveless. Customized Model
5300 active telecoil products are available,
subject to minimum order requirements,
contact your Knowles sales representative
for a quote.



1151 Maplewood Dr.
Itasca, IL 60143 USA +1-630-250-5100

Looking for pricing, stock, or lifecycle information?

Click below to explore more details on WIN SOURCE:

[View 5300-253485](#) on WIN SOURCE

[Knowles](#) Information

Optimize Your Supply Chain with WIN SOURCE Solutions

- ✓ Global Sourcing Solution
- ✓ Obsolete Management
- ✓ Cost Control Management
- ✓ Shortage Management
- ✓ Alternative Solution
- ✓ Excess Inventory Management