



THE DATASHEET OF PS2505L-2





APPLICATION BASED
OPTOCOUPLER
DESIGN GUIDE

Solutions as Easy as 1-2-3

Quickly select the right optocoupler for your application. We made it as simple as **1-2-3** regardless if you are a seasoned engineer or novice.

Simply follow the steps below to find your optocoupler solution:

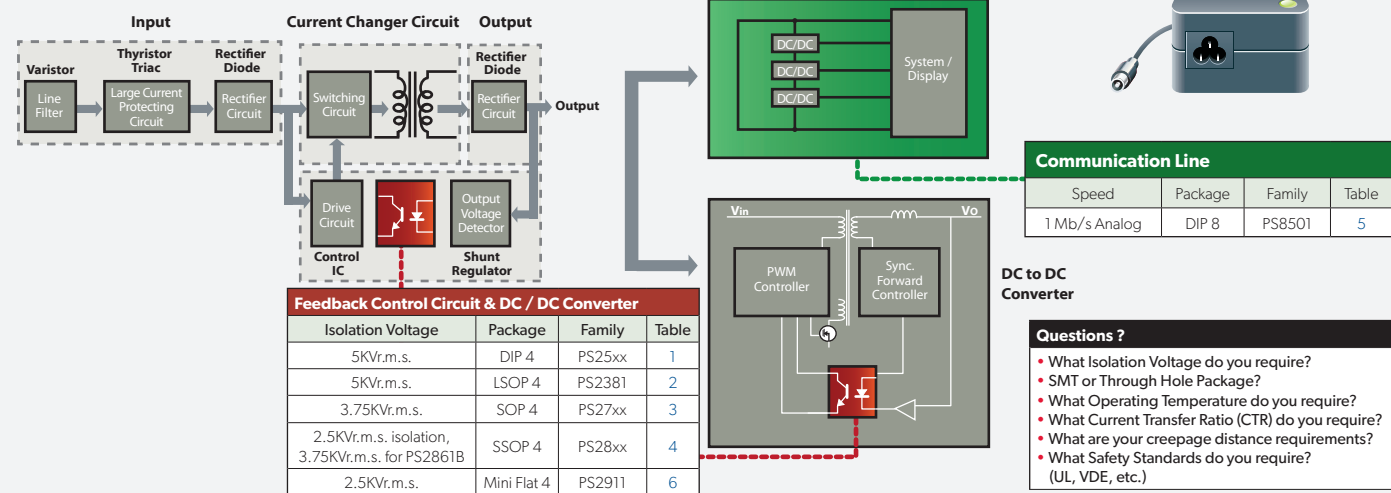
1. Select your application.
2. Look at the block diagram. Follow the corresponding color coded tables. (See reference tables on back page for series specs.)
3. Answer the questions in the block diagram to determine an orderable part. Visit www.cel.com/Optocouplers for a detailed datasheet.

What is your Application?

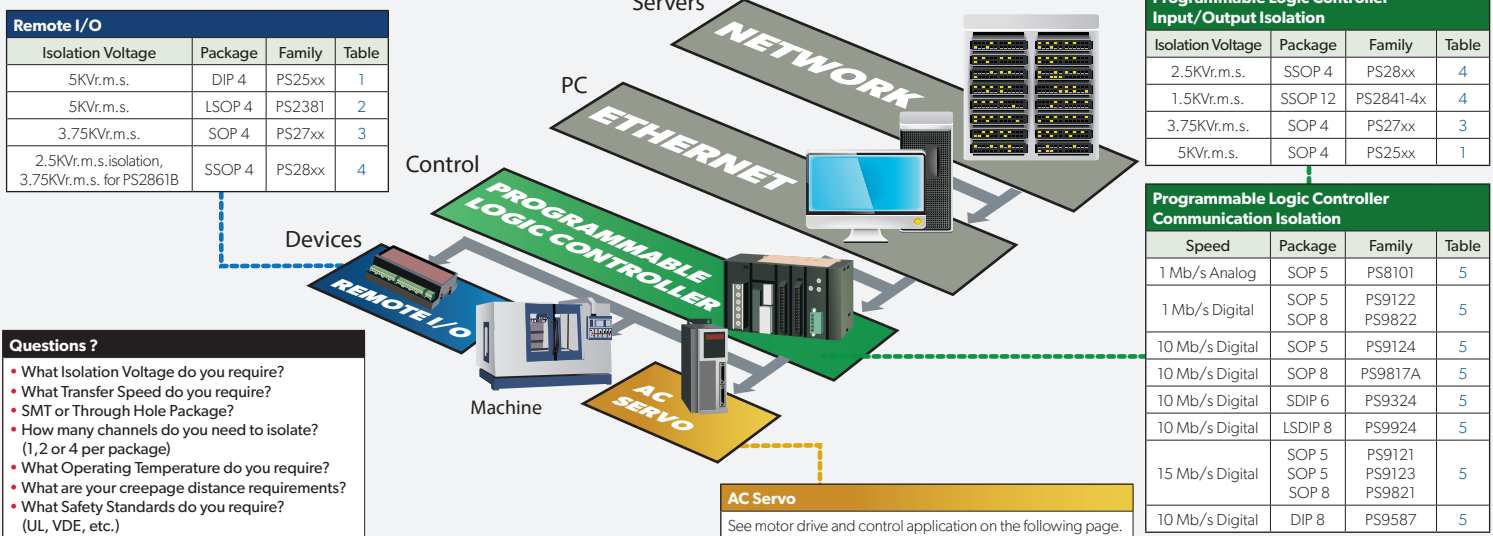
- ▶ [Switch Mode Power Supply](#)
- ▶ [Factory Automation](#)
- ▶ [Motor Drive and Control](#)
- ▶ [Power Over Ethernet \(PoE\)](#)
- ▶ [Power Line Communication \(PLC\)](#)
- ▶ [Smart Meters](#)
- ▶ [Solar Power](#)

Choose your Application:

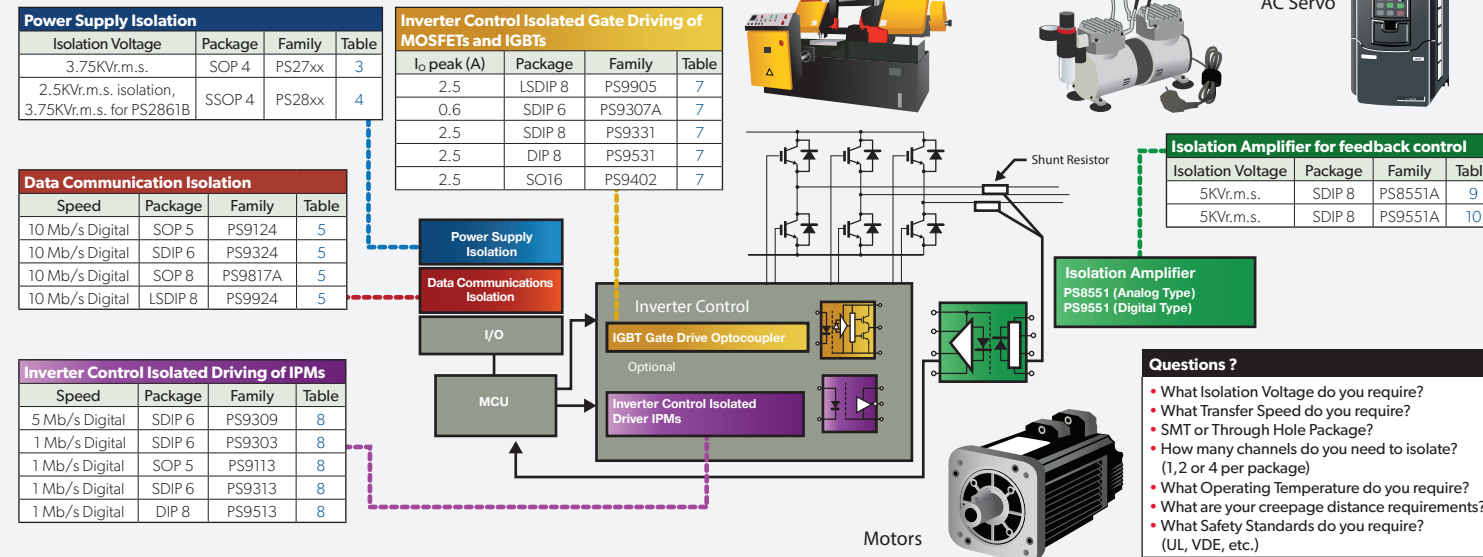
Switch Mode Power Supply AC to DC Converter



Factory Automation

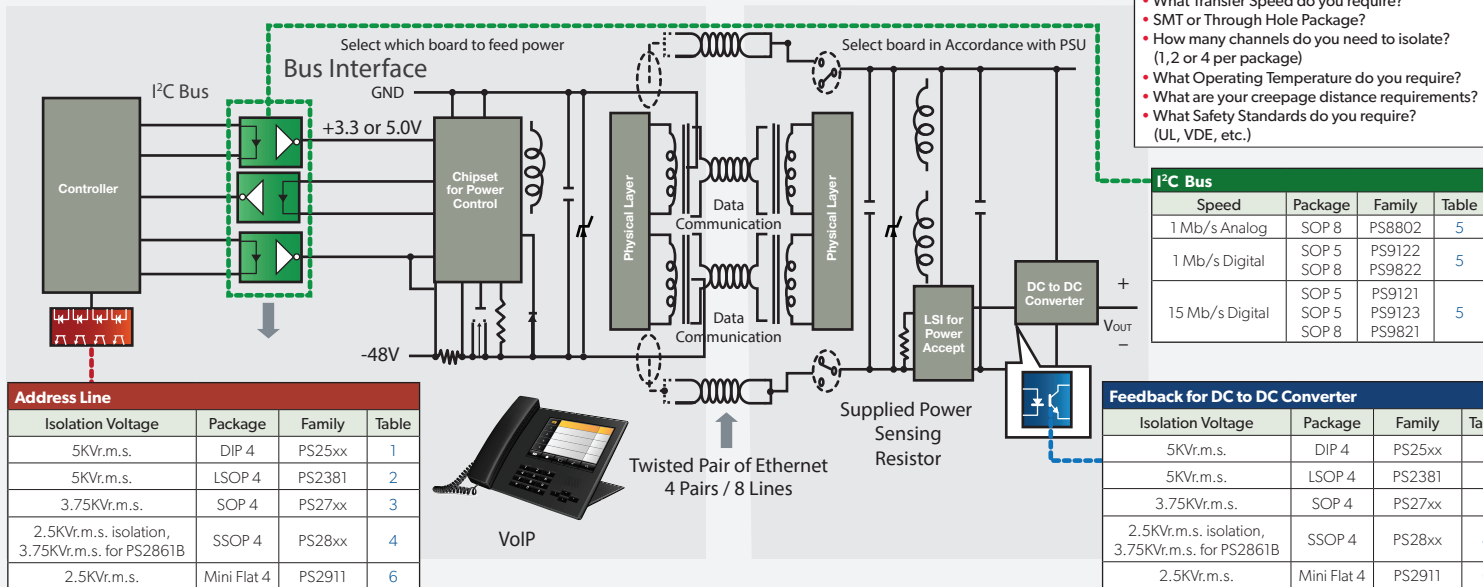


Motor Driven and Control



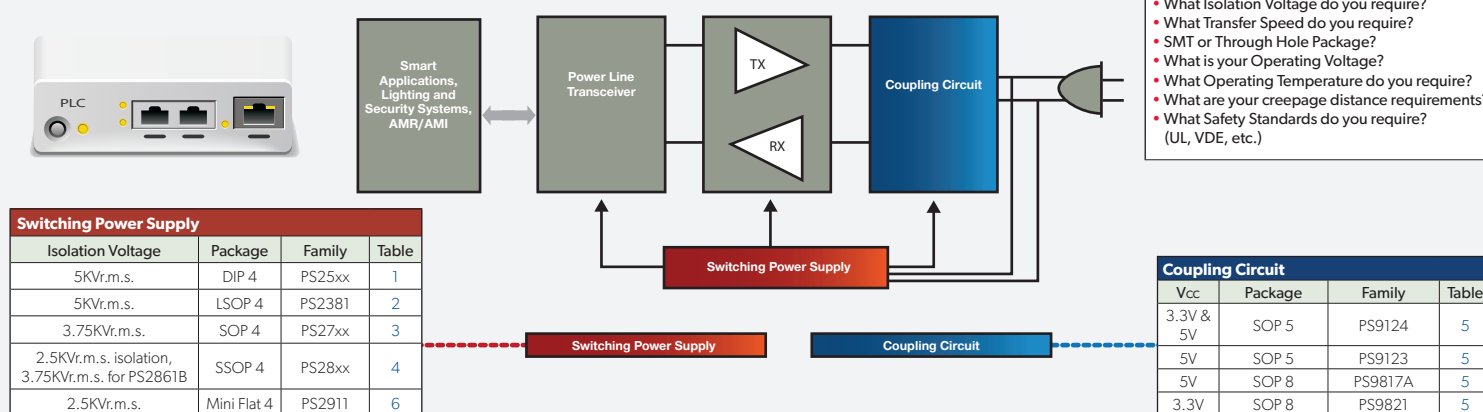
- Questions ?**
- What Isolation Voltage do you require?
 - What Transfer Speed do you require?
 - SMT or Through Hole Package?
 - How many channels do you need to isolate? (1, 2 or 4 per package)
 - What Operating Temperature do you require?
 - What are your creepage distance requirements?
 - What Safety Standards do you require? (UL, VDE, etc.)

PoE (Power Over Ethernet)



- Questions ?**
- What Isolation Voltage do you require?
 - What Transfer Speed do you require?
 - SMT or Through Hole Package?
 - How many channels do you need to isolate? (1, 2 or 4 per package)
 - What Operating Temperature do you require?
 - What are your creepage distance requirements?
 - What Safety Standards do you require? (UL, VDE, etc.)

PLC (Power Line Communication)



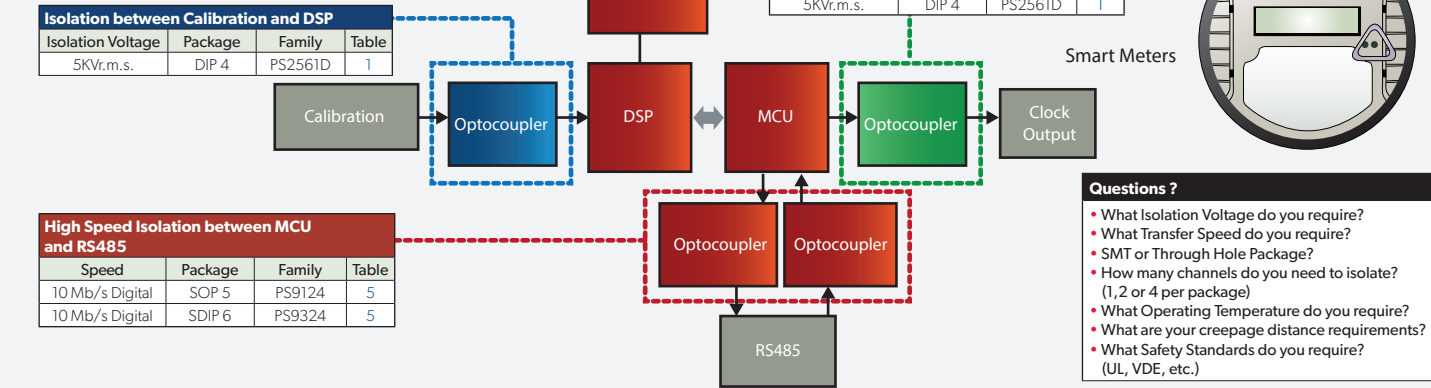
- Questions ?**
- What Isolation Voltage do you require?
 - What Transfer Speed do you require?
 - SMT or Through Hole Package?
 - What is your Operating Voltage?
 - What Operating Temperature do you require?
 - What are your creepage distance requirements?
 - What Safety Standards do you require? (UL, VDE, etc.)

Smart Meters

Isolation Voltage	Package	Family	Table
5KV.m.s.	DIP 4	PS2561D	1

Speed	Package	Family	Table
10 Mb/s Digital	SOP 5	PS9124	5
10 Mb/s Digital	SDIP 6	PS9324	5

Isolation Voltage	Package	Family	Table
5KV.m.s.	DIP 4	PS2561D	1

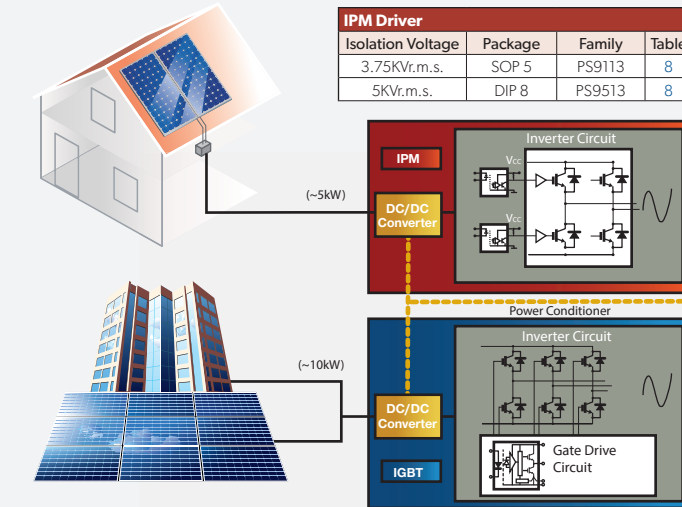


- Questions ?**
- What Isolation Voltage do you require?
 - What Transfer Speed do you require?
 - SMT or Through Hole Package?
 - How many channels do you need to isolate? (1, 2 or 4 per package)
 - What Operating Temperature do you require?
 - What are your creepage distance requirements?
 - What Safety Standards do you require? (UL, VDE, etc.)

Solar Power

Home System
Solar Cell

Plant / Building
System



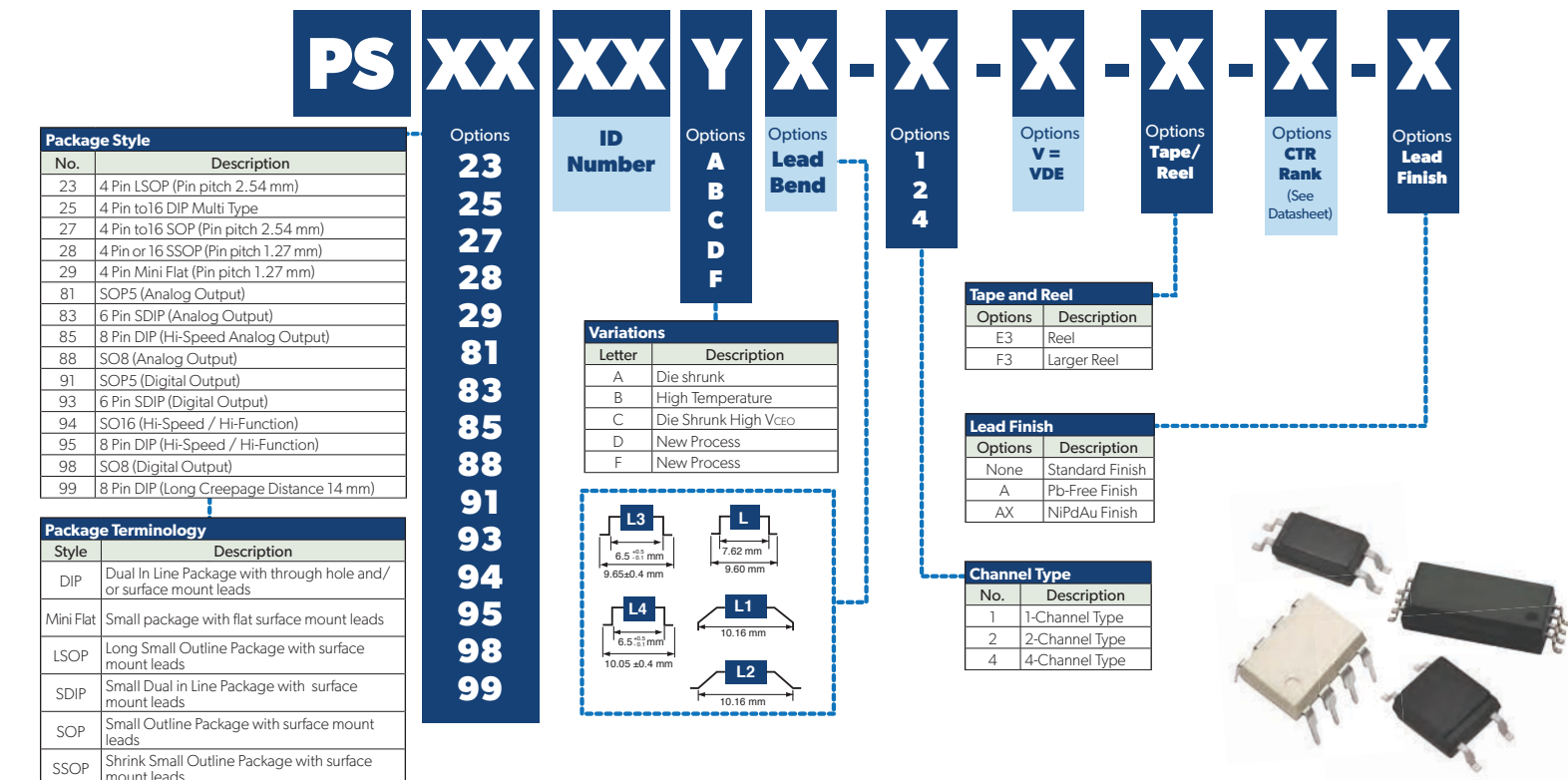
Isolation Voltage	Package	Family	Table
5KV.m.s.	DIP 4	PS2561D	1

I _c peak (A)	Package	Family	Table
2.5	DIP 8	PS9905	7
0.6	SDIP 6	PS9307A	7
2.5	SDIP 8	PS9331	7
2.5	DIP 8	PS9531	7
0.6	DIP 8	PS9506	7

- Questions ?**
- What Isolation Voltage do you require?
 - What Transfer Speed do you require?
 - SMT or Through Hole Package?
 - How many channels do you need to isolate? (1, 2 or 4 per package)
 - What Operating Temperature do you require?
 - What are your creepage distance requirements?
 - What Safety Standards do you require? (UL, VDE, etc.)

Part Numbering System

Note: This diagram is intended to explain existing part numbers and is not to be used to create part numbers since NOT all combinations are available.



Reference Tables

Bold* = Focus Products

Table 1	Root Part	Input	Output	Operating Temperature Range (°C)	V _{ceo} Max (V)	I _f Max (mA)	CTR (%)	CTR Rank Available	Comments
	PS2561D*	DC	Standard	-55 to +110	80	40	50-400	Yes	Low cost version of PS2561B, PS2501 and PS2501A, High temp
	PS2514	DC	Standard	-55 to +100	40	30	50-200	Yes	Standard
	PS2561F	DC	Standard	-55 to +110	80	30	300-600	No	Low cost version of PS2501-I-K, High temp

Table 2	Root Part	Input	Output	Operating Temperature Range (°C)	V _{ceo} Max (V)	I _f Max (mA)	CTR (%)	CTR Rank Available	Comments
	PS2381*	DC	Standard	-40 to +115	80	60	50-450	Yes	Stretched package, high temp operation

Table 3	Root Part	Input	Output	Operating Temperature Range (°C)	V _{ceo} Max (V)	I _f Max (mA)	CTR (%)	CTR Rank Available	Comments
	PS2761B*	DC	Standard	-55 to +110	70	25	50-400	Yes	High temp, low cost version of PS2701 and PS2701A
	PS2711	DC	Standard	-55 to +100	40	50	100-400	Yes	Low Input Current
	PS2701A	DC	Standard	-55 to +100	70	30	50-300	Yes	Low cost version of PS2701
	PS2705A	AC	Standard	-55 to +100	80	±30	50-300	Yes	AC Input

Table 4	Root Part	Input	Output	Operating Temperature Range (°C)	V _{ceo} Max (V)	I _f Max (mA)	CTR (%)	CTR Rank Available	Comments
	PS2801C*	DC	Standard	-55 to +100	80	30	50-400	Yes	Low cost version of PS2801
	PS2861B	DC	Standard	-55 to +110	70	50	50-400	No	High temp version of PS2801 and PS2801C
	PS2811	DC	Standard	-55 to +100	40	50	100-400	Yes	Low Input Current
	PS2805C	AC	Standard	-55 to +100	80	±30	50-400	Yes	AC input
	PS2841-4x	x=A common cathode x=B common anode	Common Collector	-40 to +100	70	20	100-400	No	Ultra SSOP, quad channel with 12 leads

Table 5	Root Part	Type	Speed	Operating Temperature Range (°C)	Package	Isolation Voltage (Vr.m.s.)	CMR (KV/μS)	V _{cc} Max (V)	V _{cc} TYP (V)	Comments
	PS8501*	High Speed / High Function	1 Mbps	-55 to +100	8 pin DIP	5K	-	35	-	8mm creepage, 8 pin DIP
PS9122*	High Speed / High Function	1 Mbps	-40 to +100	5 pin SOP	3.75K	±15	7	3.3 or 5	3.3V & 5V versions, Open Collector	
PS9124*	High Speed / High Function	10 Mbps	-40 to +100	5 pin SOP	3.75K	±15	7	3.3 or 5	3.3V & 5V versions, Low Distortion	
PS9821*	High Speed / High Function	15 Mbps	-40 to +85	SO8	2.5K	±15	7	3.3	3.3V, Low Distortion	
PS9324L/L2*	High Speed / High Function	10 Mbps	-40 to +110	6 pin SDIP	5K	±15	7	3.3 or 5	3.3V & 5V versions, Open Collector, Low Distortion	
PS9123*	High Speed / High Function	15 Mbps	-40 to +100	5 pin SOP	3.75K	±15	7	5	Totem Pole Output, Low Distortion	
	PS8101	High Speed / High Function	1 Mbps	-55 to +100	5 pin SOP	3.75K	±15	35	-	High CMR analog output
	PS9924	High Speed / High Function	10 Mbps	-40 to +100	LS DIP	7.5K	±15	7	3.3 or 5	3.3V & 5V, 14mm creepage
	PS8802	High Speed / High Function	10 Mbps	-55 to +100	SO8	2.5K	±10	35	5	High CMR analog output
	PS9822	High Speed / High Function	1 Mbps	-40 to +100	SO8	2.5K	±20	7	3.3 or 5	3.3V & 5V versions, Open Collector
	PS9121	High Speed / High Function	15 Mbps	-40 to +85	5 pin SOP	3.75K	±15	7	3.3	3.3V, Low Distortion
	PS9817A	High Speed / High Function	10 Mbps	-40 to +85	SO8	2.5K	±15	7	5	5V, Low Distortion
	PS9317	High Speed / High Function	10 Mbps	-40 to +85	6 pin SDIP	5K	±15	7	5	8mm creepage, 6 pin SDIP
	PS9587	High Speed / High Function	10 Mbps	-40 to +85	8 pin DIP	5K	±15	7	5	8mm creepage, 8 pin DIP
	PS9851	High Speed / High Function	15 Mbps	-40 to +100	SO8	2.5K	±10	5.5	5	5V, 100°C max operating temp

Table 6	Root Part	Input	Output	Operating Temperature Range (°C)	V _{ceo} Max (V)	I _f Max (mA)	CTR (%)	CTR Rank Available	Comments
	PS2911*	DC	Standard	-55 to +100	40	50	100 - 400	Yes	Ultra small flat-lead package

Table 7	Root Part	Input	t _{PLH} / t _{PHL} (μS)	Operating Temperature Range (°C)	Isolation Voltage (Vr.m.s.)	I _f Max (mA)	CMR (KV/μS)	V _{cc} Max (V)	Comments
	PS9905*	DC	0.25	-40 to +110	7.5K	25	±25	30	14mm Long creepage, 8 pin LSDIP
PS9307A*	DC	0.150	-40 to +125	5K	25	±50	35	6 pin SDIP	
PS9531*	DC	0.175	-40 to +125	5K	25	±50	35	UVLO (Under Voltage Lock Out) protection with hysteresis	
PS9402*	DC	0.2	-40 to +110	5K	25	±25	33	Fault detection (desaturation detection, UVLO protection and active Miller clamping)	
	PS9506	DC	0.4	-40 to +110	5K	25	±25	30	8mm creepage option available
	PS9331	DC	0.175	-40 to +125	5K	25	±50	33	UVLO (Under Voltage Lock Out) protection with hysteresis

Table 8	Root Part	Input	t _{PLH} / t _{PHL} (nS)	Operating Temperature Range (°C)	Isolation Voltage (Vr.m.s.)	I _f Max (mA)	CMR (KV/μS)	V _{cc} Max (V)	Comments
	PS9309*	DC	250/250	-40 to +110	5K	20	±15	20	5 Mbps Totem Pole output type, 6 pin SDIP, IPM driver
	PS9303	DC	500/550	-40 to +110	5K	20	±15	25	1 Mbps Totem Pole output type, 6 pin SDIP, IPM driver
	PS9113	DC	750/500	-40 to +110	3.75K	25	±15	25	1 Mbps, open collector output, 5 pin SOP (SOS) IPM driver
	PS9313	DC	750/500	-40 to +110	5K	25	±15	25	1 Mbps, open collector output, 8mm creepage 6 pin SDIP IPM driver
	PS9513	DC	750/500	-40 to +100	5K	30	±15	25	1 Mbps, open collector output, 8mm creepage 8 pin DIP IPM driver

Table 9	Root Part	Operating Temperature Range (°C)	Bandwidth TYP (kHz)	Input Supply ⁰⁰¹ Max (mA)	Output Supply ⁰⁰² Max (mA)	Gain v/v TYP	Gain Error (%)	CMR (KV/μS)	Comments
	PS8551A*	-40 to +105	100	16	16	8	±1	±10	High CMR analog output isolation amplifier

Table 10	Root Part	Operating Temperature Range (°C)	V _{cc} Max (V)	V _{cc} Range Recommended (V)	Input Supply ⁰⁰¹ Max (mA)	Output Supply ⁰⁰² Max (mA)	ENOB (Bits Min)	Output Clock Frequency (MHz Typ)	Comments
	PS9551A	-40 to +105	5.5	4.5 to 5.5	18	15	10	10	High CMR digital output isolation amplifier, sigma-delta modulator



CEL Headquarters

4590 Patrick Henry Drive
Santa Clara, CA 95054
Tel: (408) 919-2500
E-mail: oc@cel.com



Learn more
www.cel.com/optocouplers




For a complete list of sales offices, representatives and distributors,
Please visit our website: www.cel.com/contactus

Looking for pricing, stock, or lifecycle information?

Click below to explore more details on WIN SOURCE:

 [View PS2505L-2 on WIN SOURCE](#)

 [CEL Information](#)

Optimize Your Supply Chain with WIN SOURCE Solutions

-  Global Sourcing Solution
-  Obsolete Management
-  Cost Control Management
-  Shortage Management
-  Alternative Solution
-  Excess Inventory Management