

SN74AVC2T45 2-Bit, Dual Supply, Bus Transceiver With Configurable Level-Shifting and Translation

1 Features

- Available in the Texas Instruments NanoFree™ Package
- V_{CC} Isolation Feature: If Either V_{CC} Input Is at GND, Both Ports Are in the High-Impedance State
- Dual Supply Rail Design
- I/Os Are 4.6-V Over Voltage Tolerant
- I_{off} Supports Partial-Power-Down Mode Operation
- Max Data Rates
 - 500 Mbps (1.8 V to 3.3 V)
 - 320 Mbps (<1.8 V to 3.3 V)
 - 320 Mbps (Level-Shifting to 2.5 V or 1.8 V)
 - 280 Mbps (Level-Shifting to 1.5 V)
 - 240 Mbps (Level-Shifting to 1.2 V)
- Latch-Up Performance Exceeds 100 mA Per JESD 78, Class II
- ESD Protection Exceeds JESD 22

2 Applications

- Smartphones
- Servers
- Desktop PCs and Notebooks
- Other Portable Devices

3 Description

This 2-bit non-inverting bus transceiver uses two separate configurable power-supply rails. The A ports are designed to track V_{CCA} and accepts any supply voltage from 1.2 V to 3.6 V. The B ports are designed to track V_{CCB} and accepts any supply voltage from 1.2 V to 3.6 V. This allows for universal low-voltage bidirectional translation and level-shifting between any of the 1.2-V, 1.5-V, 1.8-V, 2.5-V, and 3.3-V voltage nodes.

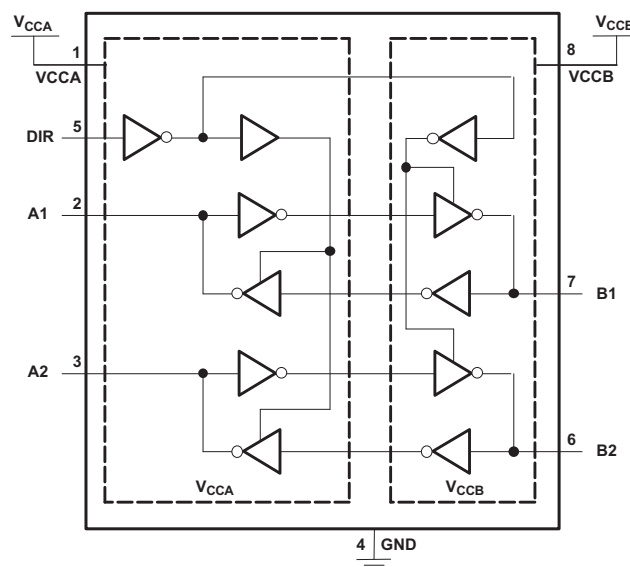
The SN74AVC2T45 is designed for asynchronous communication between two data buses. The logic levels of the direction-control (DIR pin) input activate either the B-port outputs or the A-port outputs. The device transmits data from the A bus to the B bus when the B-port outputs are activated and from the B bus to the A bus when the A-port outputs are activated. The input circuitry on both A and B ports always is active and must have a logic HIGH or LOW level applied to prevent excess leakage current on the internal CMOS structure.

Device Information⁽¹⁾

| PART NUMBER | PACKAGE | BODY SIZE (NOM) |
|----------------|-----------|-------------------|
| SN74AVC2T45DCT | SM8 (8) | 2.95 mm × 2.80 mm |
| SN74AVC2T45DCU | VSSOP (8) | 2.30 mm × 2.00 mm |
| SN74AVC2T45YZP | DSBGA (8) | 1.89 mm × 0.89 mm |

(1) For all available packages, see the orderable addendum at the end of the data sheet.

Logic Diagram (Positive Logic)



(1) Pin numbers are for the DCT and DCU packages only.



Table of Contents

| | | | |
|---|-----------|--|-----------|
| 1 Features | 1 | 8.1 Overview | 13 |
| 2 Applications | 1 | 8.2 Functional Block Diagram | 13 |
| 3 Description | 1 | 8.3 Feature Description | 14 |
| 4 Revision History | 2 | 8.4 Device Functional Modes | 14 |
| 5 Pin Configuration and Functions | 3 | 9 Application and Implementation | 15 |
| 6 Specifications | 4 | 9.1 Application Information | 15 |
| 6.1 Absolute Maximum Ratings | 4 | 9.2 Typical Applications | 15 |
| 6.2 ESD Ratings | 4 | 10 Power Supply Recommendations | 18 |
| 6.3 Recommended Operating Conditions | 5 | 11 Layout | 18 |
| 6.4 Thermal Information | 6 | 11.1 Layout Guidelines | 18 |
| 6.5 Electrical Characteristics | 6 | 11.2 Layout Example | 18 |
| 6.6 Switching Characteristics: $V_{CCA} = 1.2\text{ V}$ | 7 | 12 Device and Documentation Support | 19 |
| 6.7 Switching Characteristics: $V_{CCA} = 1.5\text{ V} \pm 0.1\text{ V}$ | 7 | 12.1 Documentation Support | 19 |
| 6.8 Switching Characteristics: $V_{CCA} = 1.8\text{ V} \pm 0.15\text{ V}$ | 8 | 12.2 Receiving Notification of Documentation Updates | 19 |
| 6.9 Switching Characteristics: $V_{CCA} = 2.5\text{ V} \pm 0.2\text{ V}$ | 8 | 12.3 Community Resources | 19 |
| 6.10 Switching Characteristics: $V_{CCA} = 3.3\text{ V} \pm 0.3\text{ V}$ | 9 | 12.4 Trademarks | 19 |
| 6.11 Operating Characteristics | 9 | 12.5 Electrostatic Discharge Caution | 19 |
| 6.12 Typical Characteristics | 10 | 12.6 Glossary | 19 |
| 7 Parameter Measurement Information | 12 | 13 Mechanical, Packaging, and Orderable Information | 19 |
| 8 Detailed Description | 13 | | |

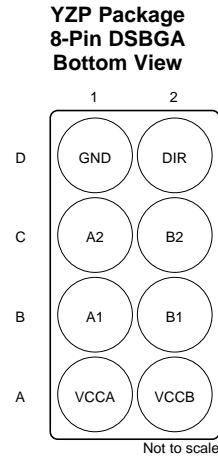
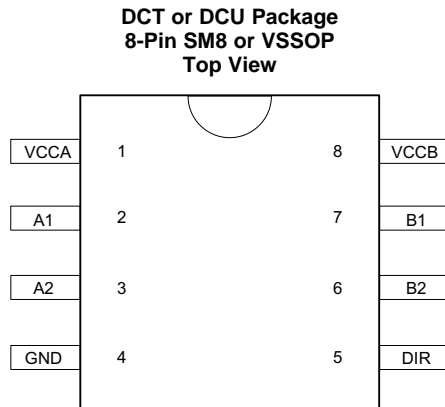
4 Revision History

NOTE: Page numbers for previous revisions may differ from page numbers in the current version.

| Changes from Revision K (April 2015) to Revision L | Page |
|---|-------------|
| • Changed data sheet title | 1 |
| • Changed YZP package pinout diagram to bottom view | 3 |
| • Added Type column to <i>Pin Functions</i> table | 3 |
| • Added Junction temperature, T_J | 4 |
| • Added <i>Receiving Notification of Documentation Updates</i> and <i>Community Resources</i> | 19 |

| Changes from Revision J (June 2007) to Revision K | Page |
|--|-------------|
| • Added <i>Pin Configuration and Functions</i> section, <i>ESD Ratings</i> table, <i>Feature Description</i> section, <i>Device Functional Modes</i> , <i>Application and Implementation</i> section, <i>Power Supply Recommendations</i> section, <i>Layout</i> section, <i>Device and Documentation Support</i> section, and <i>Mechanical, Packaging, and Orderable Information</i> section | 1 |

5 Pin Configuration and Functions



Pin Functions

| PIN | | | TYPE | DESCRIPTION |
|------|------------------------|----------------|------|--|
| NAME | NO. (SM8, VSSOP) | NO. (DSBGA) | | |
| VCCA | 1 | A1 | — | Supply Voltage A |
| VCCB | 8 | A2 | — | Supply Voltage B |
| GND | 4 | D1 | — | Ground |
| A1 | 2 | B1 | I/O | Output or input depending on state of DIR. Output level depends on V_{CCA} . |
| A2 | 3 | C1 | I/O | Output or input depending on state of DIR. Output level depends on V_{CCA} . |
| B1 | 7 | B2 | I/O | Output or input depending on state of DIR. Output level depends on V_{CCB} . |
| B2 | 6 | C2 | I/O | Output or input depending on state of DIR. Output level depends on V_{CCB} . |
| DIR | 5 | D2 | I | Direction Pin, Connect to GND or to VCCA |

6 Specifications

6.1 Absolute Maximum Ratings

 over operating free-air temperature range (unless otherwise noted)⁽¹⁾

| | | | MIN | MAX | UNIT |
|------------------------|---|-------------------|------|-----------------|------|
| V_{CCA} V_{CCB} | Supply voltage | | -0.5 | 4.6 | V |
| V_I | Input voltage ⁽²⁾ | IO ports (A port) | -0.5 | 4.6 | V |
| | | IO ports (B port) | -0.5 | 4.6 | |
| | | Control inputs | -0.5 | 4.6 | |
| V_O | Voltage applied to any output in the high-impedance or power-off state ⁽²⁾ | A port | -0.5 | 4.6 | V |
| | | B port | -0.5 | 4.6 | |
| V_O | Voltage applied to any output in the high or low state ^{(2) (3)} | A port | -0.5 | $V_{CCA} + 0.5$ | V |
| | | B port | -0.5 | $V_{CCB} + 0.5$ | |
| I_{IK} | Input clamp current | $V_I < 0$ | | -50 | mA |
| I_{OK} | Output clamp current | $V_O < 0$ | | -50 | mA |
| I_O | Continuous output current | | | ±50 | mA |
| | Continuous current through V_{CCA} , V_{CCB} , or GND | | | ±100 | mA |
| T_J | Junction temperature | | | 150 | °C |
| T_{stg} | Storage temperature | | -65 | 150 | °C |

- (1) Stresses beyond those listed under *Absolute Maximum Ratings* may cause permanent damage to the device. These are stress ratings only, which do not imply functional operation of the device at these or any other conditions beyond those indicated under *Recommended Operating Conditions*. Exposure to absolute-maximum-rated conditions for extended periods may affect device reliability.
- (2) The input negative-voltage and output voltage ratings may be exceeded if the input and output current ratings are observed.
- (3) The output positive-voltage rating may be exceeded up to 4.6 V maximum if the output current ratings are observed.

6.2 ESD Ratings

| | | VALUE | UNIT |
|-------------|-------------------------|--|-------|
| $V_{(ESD)}$ | Electrostatic discharge | Human body model (HBM), per ANSI/ESDA/JEDEC JS-001 ⁽¹⁾ | ±8000 |
| | | Charged-device model (CDM), per JEDEC specification JESD22-C101 ⁽²⁾ | ±1000 |
| | | Machine Model (MM), Per JEDEC specification JESD22-A115-A | ±200 |

- (1) JEDEC document JEP155 states that 500-V HBM allows safe manufacturing with a standard ESD control process.
- (2) JEDEC document JEP157 states that 250-V CDM allows safe manufacturing with a standard ESD control process.

6.3 Recommended Operating Conditions

 See ⁽¹⁾⁽²⁾⁽³⁾

| | | $V_{CCI}^{(4)}$ | $V_{CCO}^{(5)}$ | MIN | MAX | UNIT |
|---------------------|------------------------------------|---|------------------|-----|-----------------------------|------|
| V_{CCA} | Supply voltage | | | 1.2 | 3.6 | V |
| V_{CCB} | Supply voltage | | | 1.2 | 3.6 | V |
| V_{IH} | High-level input voltage | Data inputs ⁽²⁾ | 1.2 V to 1.95 V | | $V_{CCI}^{(4)} \times 0.65$ | V |
| | | | 1.95 V to 2.7 V | | 1.6 | |
| | | | 2.7 V to 3.6 V | | 2 | |
| V_{IL} | Low-level input voltage | Data inputs ⁽²⁾ | 1.2 V to 1.95 V | | $V_{CCI}^{(4)} \times 0.35$ | V |
| | | | 1.95 V to 2.7 V | | 0.7 | |
| | | | 2.7 V to 3.6 V | | 0.8 | |
| V_{IH} | High-level input voltage | DIR (referenced to V_{CCA}) ⁽³⁾ | 1.2 V to 1.95 V | | $V_{CCA} \times 0.65$ | V |
| | | | 1.95 V to 2.7 V | | 1.6 | |
| | | | 2.7 V to 3.6 V | | 2 | |
| V_{IL} | Low-level input voltage | DIR (referenced to V_{CCA}) ⁽³⁾ | 1.2 V to 1.95 V | | $V_{CCA} \times 0.35$ | V |
| | | | 1.95 V to 2.7 V | | 0.7 | |
| | | | 2.7 V to 3.6 V | | 0.8 | |
| V_I | Input voltage | | | 0 | 3.6 | V |
| V_O | Output voltage | Active state | | 0 | $V_{CCO}^{(5)}$ | V |
| | | 3-state | | 0 | 3.6 | |
| I_{OH} | High-level output current | | 1.2 V | | -3 | mA |
| | | | 1.4 V to 1.6 V | | -6 | |
| | | | 1.65 V to 1.95 V | | -8 | |
| | | | 2.3 V to 2.7 V | | -9 | |
| | | | 3 V to 3.6 V | | -12 | |
| I_{OL} | Low-level output current | | 1.2 V | | 3 | mA |
| | | | 1.4 V to 1.6 V | | 6 | |
| | | | 1.65 V to 1.95 V | | 8 | |
| | | | 2.3 V to 2.7 V | | 9 | |
| | | | 3 V to 3.6 V | | 12 | |
| $\Delta t/\Delta v$ | Input transition rise or fall rate | | | | 5 | ns/V |
| T_A | Operating free-air temperature | | | -40 | 85 | °C |

(1) All unused data inputs of the device must be held at V_{CCI} or GND to ensure proper device operation. See [Implications of Slow or Floating CMOS Inputs](#), SCBA004.

(2) For V_{CCI} values not specified in the data sheet, V_{IH} min = $V_{CCI} \times 0.7$ V, V_{IL} max = $V_{CCI} \times 0.3$ V.

(3) For V_{CCA} values not specified in the data sheet, V_{IH} min = $V_{CCA} \times 0.7$ V, V_{IL} max = $V_{CCA} \times 0.3$ V.

(4) V_{CCI} is the voltage associated with the input port supply V_{CCA} or V_{CCB} .

(5) V_{CCO} is the voltage associated with the output port supply V_{CCA} or V_{CCB} .

6.4 Thermal Information

| THERMAL METRIC ⁽¹⁾ | | SN74AVC2T45 | | | UNIT |
|-------------------------------|--|-------------|-------------|-------------|------|
| | | DCT (SSOP) | DCU (VSSOP) | YZP (DSBGA) | |
| | | 8 PINS | 8 PINS | 8 PINS | |
| $R_{\theta JA}$ | Junction-to-ambient thermal resistance | 194.4 | 199.3 | 105.8 | °C/W |
| $R_{\theta JC(top)}$ | Junction-to-case (top) thermal resistance | 124.7 | 76.2 | 1.6 | °C/W |
| $R_{\theta JB}$ | Junction-to-board thermal resistance | 106.8 | 80.6 | 10.8 | °C/W |
| ψ_{JT} | Junction-to-top characterization parameter | 49.8 | 7.1 | 3.1 | °C/W |
| ψ_{JB} | Junction-to-board characterization parameter | 105.8 | 80.1 | 10.8 | °C/W |

(1) For more information about traditional and new thermal metrics, see the [Semiconductor and IC Package Thermal Metrics](#) application report.

6.5 Electrical Characteristics

over recommended operating free-air temperature range (unless otherwise noted)^{(1) (2)}

| PARAMETER | TEST CONDITIONS | V_{CCA} | V_{CCB} | $T_A = 25^\circ\text{C}$ | | | $-40^\circ\text{C to } +85^\circ\text{C}$ | | UNIT |
|--------------------------------------|--|---|----------------|--------------------------|------------|-----------|---|---------------|---------------|
| | | | | MIN | TYP | MAX | MIN | MAX | |
| $V_{OH}^{(3)}$ | $I_{OH} = -100 \mu\text{A}$ $I_{OH} = -3 \text{ mA}$ $I_{OH} = -6 \text{ mA}$ $I_{OH} = -8 \text{ mA}$ $I_{OH} = -9 \text{ mA}$ $I_{OH} = -12 \text{ mA}$ $V_I = V_{IH}$ | 1.2 V to 3.6 V | 1.2 V to 3.6 V | | | | $V_{CCO} - 0.2 \text{ V}$ | | V |
| | | 1.2 V | 1.2 V | 0.95 | | | | | |
| | | 1.4 V | 1.4 V | | | | 1.05 | | |
| | | 1.65 V | 1.65 V | | | | 1.2 | | |
| | | 2.3 V | 2.3 V | | | | 1.75 | | |
| | | 3 V | 3 V | | | | 2.3 | | |
| $V_{OL}^{(3)}$ | $I_{OL} = 100 \mu\text{A}$ $I_{OL} = 3 \text{ mA}$ $I_{OL} = 6 \text{ mA}$ $I_{OL} = 8 \text{ mA}$ $I_{OL} = 9 \text{ mA}$ $I_{OL} = 12 \text{ mA}$ $V_I = V_{IL}$ | 1.2 V to 3.6 V | 1.2 V to 3.6 V | | | | 0.2 | | V |
| | | 1.2 V | 1.2 V | 0.25 | | | | | |
| | | 1.4 V | 1.4 V | | | | 0.35 | | |
| | | 1.65 V | 1.65 V | | | | 0.45 | | |
| | | 2.3 V | 2.3 V | | | | 0.55 | | |
| | | 3 V | 3 V | | | | 0.7 | | |
| I_I | DIR $V_I = V_{CCA}$ or GND | 1.2 V to 3.6 V | 1.2 V to 3.6 V | ± 0.025 | ± 0.25 | | ± 1 | μA | |
| I_{off} | A port | V_I or $V_O = 0$ to 3.6 V | 0 V | 0 to 3.6 V | ± 0.1 | ± 1 | | ± 5 | μA |
| | B port | | 0 to 3.6 V | 0 V | ± 0.1 | ± 1 | | | |
| $I_{OZ}^{(3)}$ | B port | $V_O = V_{CCO}$ or GND, $V_I = V_{CCI}$ or GND | 0 V | 3.6 V | ± 0.5 | ± 2.5 | | ± 5 | μA |
| | A port | | 3.6 V | 0 V | ± 0.5 | ± 2.5 | | | |
| $I_{CCA}^{(3)}$ | $V_I = V_{CCI}$ or GND, $I_O = 0$ | 1.2 V to 3.6 V | 1.2 V to 3.6 V | | | | 10 | μA | |
| | | 0 V | 3.6 V | | | | -2 | | |
| | | 3.6 V | 0 V | | | | 10 | | |
| $I_{CCB}^{(3)}$ | $V_I = V_{CCI}$ or GND, $I_O = 0$ | 1.2 V to 3.6 V | 1.2 V to 3.6 V | | | | 10 | μA | |
| | | 0 V | 3.6 V | | | | 10 | | |
| | | 3.6 V | 0 V | | | | -2 | | |
| $I_{CCA} + I_{CCB}$ (see Table 1) | $V_I = V_{CCI}$ or GND, $I_O = 0$ | 1.2 V to 3.6 V | 1.2 V to 3.6 V | | | | 20 | μA | |
| C_I | Control inputs $V_I = 3.3 \text{ V}$ or GND | 3.3 V | 3.3 V | 2.5 | | | | pF | |
| C_{io} | A or B port $V_O = 3.3 \text{ V}$ or GND | 3.3 V | 3.3 V | 6 | | | | pF | |

(1) V_{CCO} is the voltage associated with the output port supply V_{CCA} or V_{CCB} .

(2) V_{CCI} is the voltage associated with the input port supply V_{CCA} or V_{CCB} .

(3) V_{OH} : Output High Voltage; V_{OL} : Output Low Voltage; I_{OZ} : Hi-Z Output Current; I_{CCA} : Supply A Current; I_{CCB} : Supply B Current

6.6 Switching Characteristics: $V_{CCA} = 1.2\text{ V}$

over recommended operating free-air temperature range, $V_{CCA} = 1.2\text{ V}$ (see [Figure 11](#))

| PARAMETER | FROM (INPUT) | TO (OUTPUT) | $V_{CCB} = 1.2\text{ V}$ | $V_{CCB} = 1.5\text{ V}$ | $V_{CCB} = 1.8\text{ V}$ | $V_{CCB} = 2.5\text{ V}$ | $V_{CCB} = 3.3\text{ V}$ | UNIT |
|--------------------|--------------|-------------|--------------------------|--------------------------|--------------------------|--------------------------|--------------------------|------|
| | | | TYP | TYP | TYP | TYP | TYP | |
| $t_{PLH}^{(1)}$ | A | B | 3.1 | 2.6 | 2.4 | 2.2 | 2.2 | ns |
| $t_{PHL}^{(1)}$ | | | 3.1 | 2.6 | 2.4 | 2.2 | 2.2 | |
| $t_{PLH}^{(1)}$ | B | A | 3.4 | 3.1 | 3 | 2.9 | 2.9 | ns |
| $t_{PHL}^{(1)}$ | | | 3.4 | 3.1 | 3 | 2.9 | 2.9 | |
| $t_{PHZ}^{(1)}$ | DIR | A | 5.2 | 5.2 | 5.1 | 5 | 4.8 | ns |
| $t_{PLZ}^{(1)}$ | | | 5.2 | 5.2 | 5.1 | 5 | 4.8 | |
| $t_{PHZ}^{(1)}$ | DIR | B | 5 | 4 | 3.8 | 2.8 | 3.2 | ns |
| $t_{PLZ}^{(1)}$ | | | 5 | 4 | 3.8 | 2.8 | 3.2 | |
| $t_{PZH}^{(1)(2)}$ | DIR | A | 8.4 | 7.1 | 6.8 | 5.7 | 6.1 | ns |
| $t_{PZL}^{(1)(2)}$ | | | 8.4 | 7.1 | 6.8 | 5.7 | 6.1 | |
| $t_{PZH}^{(1)(2)}$ | DIR | B | 8.3 | 7.8 | 7.5 | 7.2 | 7 | ns |
| $t_{PZL}^{(1)(2)}$ | | | 8.3 | 7.8 | 7.5 | 7.2 | 7 | |

- (1) t_{PLH} : Low-to-high Propagation Delay; t_{PHL} : High-to-Low Propagation Delay; t_{PHZ} : High-to-Hi-Z Propagation Delay; t_{PLZ} : Low-to-Hi-Z Propagation Delay; t_{PZH} : Hi-Z-to-High Propagation Delay; t_{PZL} : Hi-Z-to-Low Propagation Delay
(2) The enable time is a calculated value, derived using the formula shown in the [Enable Times](#) section.

6.7 Switching Characteristics: $V_{CCA} = 1.5\text{ V} \pm 0.1\text{ V}$

over recommended operating free-air temperature range, $V_{CCA} = 1.5\text{ V} \pm 0.1\text{ V}$ (see [Figure 11](#))

| PARAMETER | FROM (INPUT) | TO (OUTPUT) | $V_{CCB} = 1.2\text{ V}$ | $V_{CCB} = 1.5\text{ V} \pm 0.1\text{ V}$ | | $V_{CCB} = 1.8\text{ V} \pm 0.15\text{ V}$ | | $V_{CCB} = 2.5\text{ V} \pm 0.2\text{ V}$ | | $V_{CCB} = 3.3\text{ V} \pm 0.3\text{ V}$ | | UNIT |
|--------------------|--------------|-------------|--------------------------|---|------|--|------|---|------|---|------|------|
| | | | TYP | MIN | MAX | MIN | MAX | MIN | MAX | MIN | MAX | |
| $t_{PLH}^{(1)}$ | A | B | 2.8 | 0.7 | 5.4 | 0.5 | 4.6 | 0.4 | 3.7 | 0.3 | 3.5 | ns |
| $t_{PHL}^{(1)}$ | | | 2.8 | 0.7 | 5.4 | 0.5 | 4.6 | 0.4 | 3.7 | 0.3 | 3.5 | |
| $t_{PLH}^{(1)}$ | B | A | 2.7 | 0.8 | 5.4 | 0.7 | 5.2 | 0.6 | 4.9 | 0.5 | 4.7 | ns |
| $t_{PHL}^{(1)}$ | | | 2.7 | 0.8 | 5.4 | 0.7 | 5.2 | 0.6 | 4.9 | 0.5 | 4.7 | |
| $t_{PHZ}^{(1)}$ | DIR | A | 3.9 | 1.3 | 8.5 | 1.3 | 7.8 | 1.1 | 7.7 | 1.4 | 7.6 | ns |
| $t_{PLZ}^{(1)}$ | | | 3.9 | 1.3 | 8.5 | 1.3 | 7.8 | 1.1 | 7.7 | 1.4 | 7.6 | |
| $t_{PHZ}^{(1)}$ | DIR | B | 4.7 | 1.1 | 7 | 1.4 | 6.9 | 1.2 | 6.9 | 1.7 | 7.1 | ns |
| $t_{PLZ}^{(1)}$ | | | 4.7 | 1.1 | 7 | 1.4 | 6.9 | 1.2 | 6.9 | 1.7 | 7.1 | |
| $t_{PZH}^{(1)(2)}$ | DIR | A | 7.4 | | 12.4 | | 12.1 | | 11.8 | | 11.8 | ns |
| $t_{PZL}^{(1)(2)}$ | | | 7.4 | | 12.4 | | 12.1 | | 11.8 | | 11.8 | |
| $t_{PZH}^{(1)(2)}$ | DIR | B | 6.7 | | 13.9 | | 12.4 | | 11.4 | | 11.1 | ns |
| $t_{PZL}^{(1)(2)}$ | | | 6.7 | | 13.9 | | 12.4 | | 11.4 | | 11.1 | |

- (1) t_{PLH} : Low-to-high Propagation Delay; t_{PHL} : High-to-Low Propagation Delay; t_{PHZ} : High-to-Hi-Z Propagation Delay; t_{PLZ} : Low-to-Hi-Z Propagation Delay; t_{PZH} : Hi-Z-to-High Propagation Delay; t_{PZL} : Hi-Z-to-Low Propagation Delay
(2) The enable time is a calculated value, derived using the formula shown in the [Enable Times](#) section.

6.8 Switching Characteristics: $V_{CCA} = 1.8\text{ V} \pm 0.15\text{ V}$

 over recommended operating free-air temperature range, $V_{CCA} = 1.8\text{ V} \pm 0.15\text{ V}$ (see [Figure 11](#))

| PARAMETER | FROM (INPUT) | TO (OUTPUT) | $V_{CCB} = 1.2\text{ V}$ | $V_{CCB} = 1.5\text{ V} \pm 0.1\text{ V}$ | | $V_{CCB} = 1.8\text{ V} \pm 0.15\text{ V}$ | | $V_{CCB} = 2.5\text{ V} \pm 0.2\text{ V}$ | | $V_{CCB} = 3.3\text{ V} \pm 0.3\text{ V}$ | | UNIT |
|--------------------|--------------|-------------|--------------------------|---|------|--|------|---|-----|---|-----|------|
| | | | TYP | MIN | MAX | MIN | MAX | MIN | MAX | MIN | MAX | |
| $t_{PLH}^{(1)}$ | A | B | 2.7 | 0.5 | 5.2 | 0.4 | 4.3 | 0.2 | 3.4 | 0.2 | 3.1 | ns |
| $t_{PHL}^{(1)}$ | | | 2.7 | 0.5 | 5.2 | 0.4 | 4.3 | 0.2 | 3.4 | 0.2 | 3.1 | |
| $t_{PLH}^{(1)}$ | B | A | 2.4 | 0.7 | 4.7 | 0.5 | 4.4 | 0.5 | 4 | 0.4 | 3.8 | ns |
| $t_{PHL}^{(1)}$ | | | 2.4 | 0.7 | 4.7 | 0.5 | 4.4 | 0.5 | 4 | 0.4 | 3.8 | |
| $t_{PHZ}^{(1)}$ | DIR | A | 3.7 | 1.3 | 8.1 | 0.7 | 6.9 | 1.4 | 5.3 | 1.1 | 5.2 | ns |
| $t_{PLZ}^{(1)}$ | | | 3.7 | 1.3 | 8.1 | 0.7 | 6.9 | 1.4 | 5.3 | 1.1 | 5.2 | |
| $t_{PHZ}^{(1)}$ | DIR | B | 4.4 | 1.3 | 5.8 | 1.3 | 5.9 | 0.8 | 5.7 | 1.5 | 5.9 | ns |
| $t_{PLZ}^{(1)}$ | | | 4.4 | 1.3 | 5.8 | 1.3 | 5.9 | 0.8 | 5.7 | 1.5 | 5.9 | |
| $t_{PZH}^{(1)(2)}$ | DIR | A | 6.8 | | 10.5 | | 10.3 | | 9.7 | | 9.7 | ns |
| $t_{PZL}^{(1)(2)}$ | | | 6.8 | | 10.5 | | 10.3 | | 9.7 | | 9.7 | |
| $t_{PZH}^{(1)(2)}$ | DIR | B | 6.4 | | 13.3 | | 11.2 | | 8.7 | | 8.3 | ns |
| $t_{PZL}^{(1)(2)}$ | | | 6.4 | | 13.3 | | 11.2 | | 8.7 | | 8.3 | |

- (1) t_{PLH} : Low-to-high Propagation Delay; t_{PHL} : High-to-Low Propagation Delay; t_{PHZ} : High-to-Hi-Z Propagation Delay; t_{PLZ} : Low-to-Hi-Z Propagation Delay; t_{PZH} : Hi-Z-to-High Propagation Delay; t_{PZL} : Hi-Z-to-Low Propagation Delay
 (2) The enable time is a calculated value, derived using the formula shown in the [Enable Times](#) section.

6.9 Switching Characteristics: $V_{CCA} = 2.5\text{ V} \pm 0.2\text{ V}$

 over recommended operating free-air temperature range, $V_{CCA} = 2.5\text{ V} \pm 0.2\text{ V}$ (see [Figure 11](#))

| PARAMETER | FROM (INPUT) | TO (OUTPUT) | $V_{CCB} = 1.2\text{ V}$ | $V_{CCB} = 1.5\text{ V} \pm 0.1\text{ V}$ | | $V_{CCB} = 1.8\text{ V} \pm 0.15\text{ V}$ | | $V_{CCB} = 2.5\text{ V} \pm 0.2\text{ V}$ | | $V_{CCB} = 3.3\text{ V} \pm 0.3\text{ V}$ | | UNIT |
|--------------------|--------------|-------------|--------------------------|---|------|--|------|---|-----|---|-----|------|
| | | | TYP | MIN | MAX | MIN | MAX | MIN | MAX | MIN | MAX | |
| $t_{PLH}^{(1)}$ | A | B | 2.6 | 0.4 | 4.9 | 0.2 | 4 | 0.2 | 3 | 0.2 | 2.6 | ns |
| $t_{PHL}^{(1)}$ | | | 2.6 | 0.4 | 4.9 | 0.2 | 4 | 0.2 | 3 | 0.2 | 2.6 | |
| $t_{PLH}^{(1)}$ | B | A | 2.1 | 0.6 | 3.8 | 0.5 | 3.4 | 0.4 | 3 | 0.3 | 2.8 | ns |
| $t_{PHL}^{(1)}$ | | | 2.1 | 0.6 | 3.8 | 0.5 | 3.4 | 0.4 | 3 | 0.3 | 2.8 | |
| $t_{PHZ}^{(1)}$ | DIR | A | 2.4 | 0.7 | 7.9 | 0.8 | 6.4 | 0.8 | 5 | 0.5 | 4.3 | ns |
| $t_{PLZ}^{(1)}$ | | | 2.4 | 0.7 | 7.9 | 0.8 | 6.4 | 0.8 | 5 | 0.5 | 4.3 | |
| $t_{PHZ}^{(1)}$ | DIR | B | 3.8 | 1 | 4.3 | 0.6 | 4.3 | 0.5 | 4.2 | 1.1 | 4.1 | ns |
| $t_{PLZ}^{(1)}$ | | | 3.8 | 1 | 4.3 | 0.6 | 4.3 | 0.5 | 4.2 | 1.1 | 4.1 | |
| $t_{PZH}^{(1)(2)}$ | DIR | A | 5.9 | | 8.5 | | 7.7 | | 7.2 | | 6.9 | ns |
| $t_{PZL}^{(1)(2)}$ | | | 5.9 | | 8.5 | | 7.7 | | 7.2 | | 6.9 | |
| $t_{PZH}^{(1)(2)}$ | DIR | B | 5 | | 12.8 | | 10.4 | | 8 | | 6.9 | ns |
| $t_{PZL}^{(1)(2)}$ | | | 5 | | 12.8 | | 10.4 | | 8 | | 6.9 | |

- (1) t_{PLH} : Low-to-high Propagation Delay; t_{PHL} : High-to-Low Propagation Delay; t_{PHZ} : High-to-Hi-Z Propagation Delay; t_{PLZ} : Low-to-Hi-Z Propagation Delay; t_{PZH} : Hi-Z-to-High Propagation Delay; t_{PZL} : Hi-Z-to-Low Propagation Delay
 (2) The enable time is a calculated value, derived using the formula shown in the [Enable Times](#) section.

6.10 Switching Characteristics: $V_{CCA} = 3.3\text{ V} \pm 0.3\text{ V}$

 over recommended operating free-air temperature range, $V_{CCA} = 3.3\text{ V} \pm 0.3\text{ V}$ (see [Figure 11](#))

| PARAMETER | FROM (INPUT) | TO (OUTPUT) | $V_{CCB} = 1.2\text{ V}$ | $V_{CCB} = 1.5\text{ V} \pm 0.1\text{ V}$ | | $V_{CCB} = 1.8\text{ V} \pm 0.15\text{ V}$ | | $V_{CCB} = 2.5\text{ V} \pm 0.2\text{ V}$ | | $V_{CCB} = 3.3\text{ V} \pm 0.3\text{ V}$ | | UNIT |
|--------------------|--------------|-------------|--------------------------|---|-----|--|-----|---|-----|---|-----|------|
| | | | TYP | MIN | MAX | MIN | MAX | MIN | MAX | MIN | MAX | |
| $t_{PLH}^{(1)}$ | A | B | 2.5 | 0.3 | 4.7 | 0.2 | 3.8 | 0.2 | 2.8 | 0.2 | 2.4 | ns |
| $t_{PHL}^{(1)}$ | | | 2.5 | 0.3 | 4.7 | 0.2 | 3.8 | 0.2 | 2.8 | 0.2 | 2.4 | |
| $t_{PLH}^{(1)}$ | B | A | 2.1 | 0.6 | 3.6 | 0.4 | 3.1 | 0.3 | 2.6 | 0.3 | 2.4 | ns |
| $t_{PHL}^{(1)}$ | | | 2.1 | 0.6 | 3.6 | 0.4 | 3.1 | 0.3 | 2.6 | 0.3 | 2.4 | |
| $t_{PHZ}^{(1)}$ | DIR | A | 2.9 | 1.1 | 8 | 1 | 6.5 | 1.3 | 4.7 | 1.2 | 4 | ns |
| $t_{PLZ}^{(1)}$ | | | 2.9 | 1.1 | 8 | 1 | 6.5 | 1.3 | 4.7 | 1.2 | 4 | |
| $t_{PHZ}^{(1)}$ | DIR | B | 3.4 | 0.5 | 6.6 | 0.3 | 5.6 | 0.3 | 4.6 | 1.1 | 4.2 | ns |
| $t_{PLZ}^{(1)}$ | | | 3.4 | 0.5 | 6.6 | 0.3 | 5.6 | 0.3 | 4.6 | 1.1 | 4.2 | |
| $t_{PZH}^{(1)(2)}$ | DIR | A | 5.5 | 10.2 | | 8.7 | | 7.2 | | 6.6 | | ns |
| $t_{PZL}^{(1)(2)}$ | | | 5.5 | 10.2 | | 8.7 | | 7.2 | | 6.6 | | |
| $t_{PZH}^{(1)(2)}$ | DIR | B | 5.4 | 12.7 | | 10.3 | | 7.5 | | 6.4 | | ns |
| $t_{PZL}^{(1)(2)}$ | | | 5.4 | 12.7 | | 10.3 | | 7.5 | | 6.4 | | |

- (1) t_{PLH} : Low-to-high Propagation Delay; t_{PHL} : High-to-Low Propagation Delay; t_{PHZ} : High-to-Hi-Z Propagation Delay; t_{PLZ} : Low-to-Hi-Z Propagation Delay; t_{PZH} : Hi-Z-to-High Propagation Delay; t_{PZL} : Hi-Z-to-Low Propagation Delay
 (2) The enable time is a calculated value, derived using the formula shown in the section.

6.11 Operating Characteristics

 $T_A = 25^\circ\text{C}$

| PARAMETER | | TEST CONDITIONS | $V_{CCA} = V_{CCB} = 1.2\text{ V}$ | $V_{CCA} = V_{CCB} = 1.5\text{ V}$ | $V_{CCA} = V_{CCB} = 1.8\text{ V}$ | $V_{CCA} = V_{CCB} = 2.5\text{ V}$ | $V_{CCA} = V_{CCB} = 3.3\text{ V}$ | UNIT |
|-----------------|-----------------------------|---|------------------------------------|------------------------------------|------------------------------------|------------------------------------|------------------------------------|------|
| | | | TYP | TYP | TYP | TYP | TYP | |
| $C_{pdA}^{(1)}$ | A-port input, B-port output | $C_L = 0,$ $f = 10\text{ MHz},$ $t_r^{(2)} = t_f^{(2)} = 1\text{ ns}$ | 3 | 3 | 3 | 3 | 4 | pF |
| | B-port input, A-port output | | 12 | 13 | 13 | 14 | 15 | |
| $C_{pdB}^{(1)}$ | A-port input, B-port output | $C_L = 0,$ $f = 10\text{ MHz},$ $t_r^{(2)} = t_f^{(2)} = 1\text{ ns}$ | 12 | 13 | 13 | 14 | 15 | pF |
| | B-port input, A-port output | | 3 | 3 | 3 | 3 | 4 | |

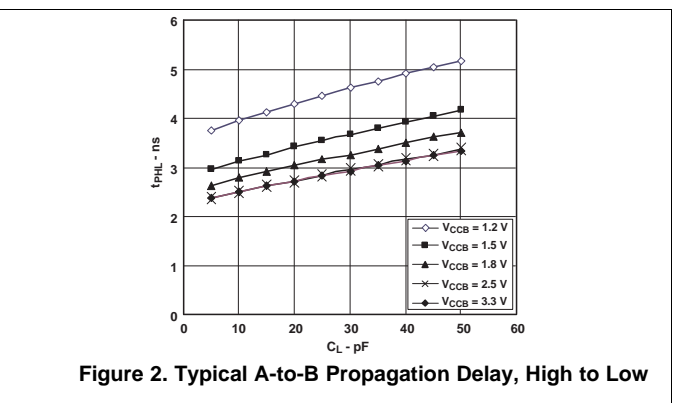
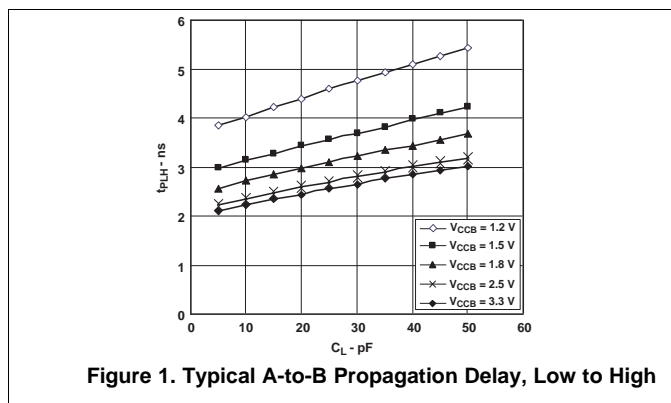
- (1) Power-dissipation capacitance per transceiver
 (2) t_r : Rise time; t_f : Fall time

6.12 Typical Characteristics

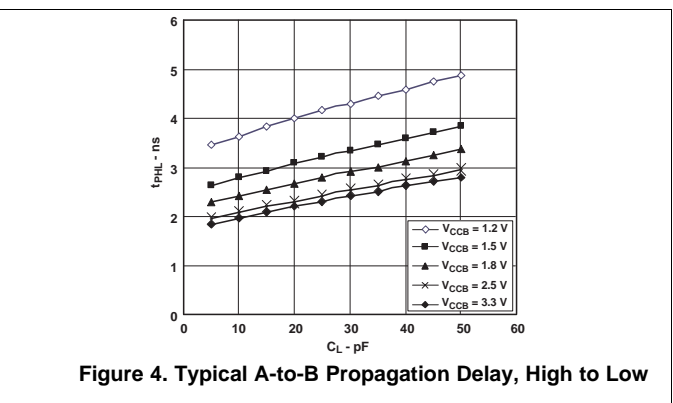
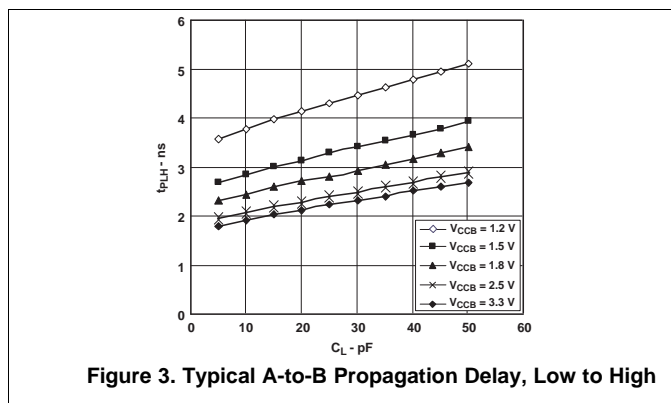
Table 1. Typical Total Static Power Consumption ($I_{CC A} + I_{CC B}$)

| $V_{CC B}$ | $V_{CC A}$ | | | | | | UNIT |
|------------|------------|-------|-------|-------|-------|-------|------|
| | 0 V | 1.2 V | 1.5 V | 1.8 V | 2.5 V | 3.3 V | |
| 0 V | 0 | <0.5 | <0.5 | <0.5 | <0.5 | <0.5 | μA |
| 1.2 V | <0.5 | <1 | <1 | <1 | <1 | 1 | |
| 1.5 V | <0.5 | <1 | <1 | <1 | <1 | 1 | |
| 1.8 V | <0.5 | <1 | <1 | <1 | <1 | <1 | |
| 2.5 V | <0.5 | 1 | <1 | <1 | <1 | <1 | |
| 3.3 V | <0.5 | 1 | <1 | <1 | <1 | <1 | |

6.12.1 Typical Propagation Delay (A to B) vs Load Capacitance, $T_A = 25^\circ\text{C}$, $V_{CC A} = 1.2\text{ V}$



6.12.2 Typical Propagation Delay (A to B) vs Load Capacitance, $T_A = 25^\circ\text{C}$, $V_{CC A} = 1.5\text{ V}$



6.12.3 Typical Propagation Delay (A-to-B) vs Load Capacitance, $T_A = 25^\circ\text{C}$, $V_{CCA} = 1.8\text{ V}$

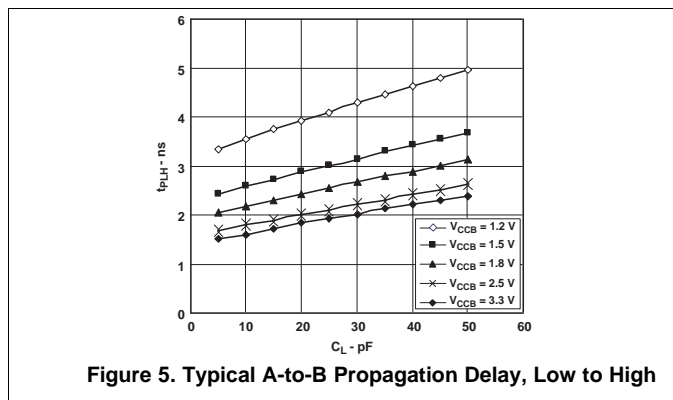


Figure 5. Typical A-to-B Propagation Delay, Low to High

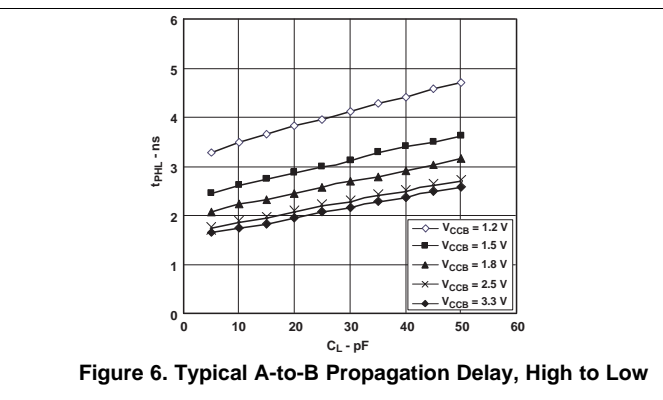


Figure 6. Typical A-to-B Propagation Delay, High to Low

6.12.4 Typical Propagation Delay (A to B) vs Load Capacitance, $T_A = 25^\circ\text{C}$, $V_{CCA} = 2.5\text{ V}$

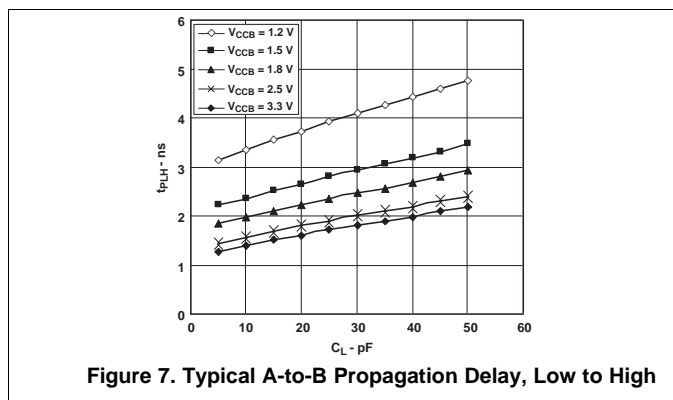


Figure 7. Typical A-to-B Propagation Delay, Low to High

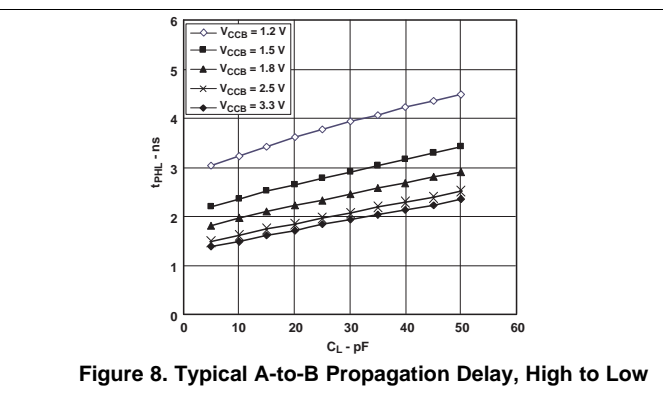


Figure 8. Typical A-to-B Propagation Delay, High to Low

6.12.5 Typical Propagation Delay (A to B) vs Load Capacitance, $T_A = 25^\circ\text{C}$, $V_{CCA} = 3.3\text{ V}$

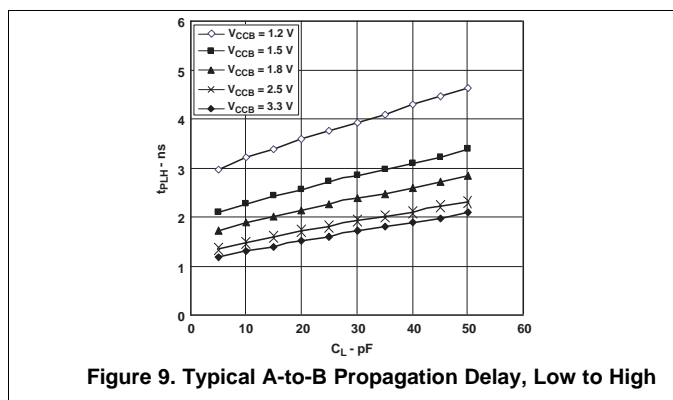


Figure 9. Typical A-to-B Propagation Delay, Low to High

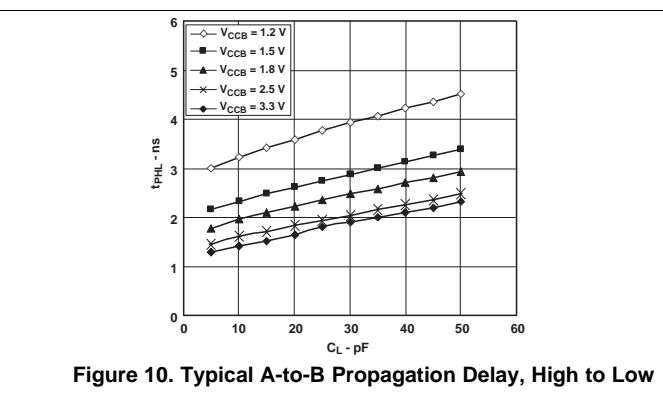
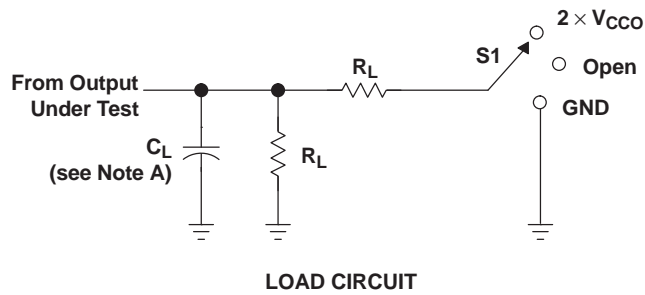


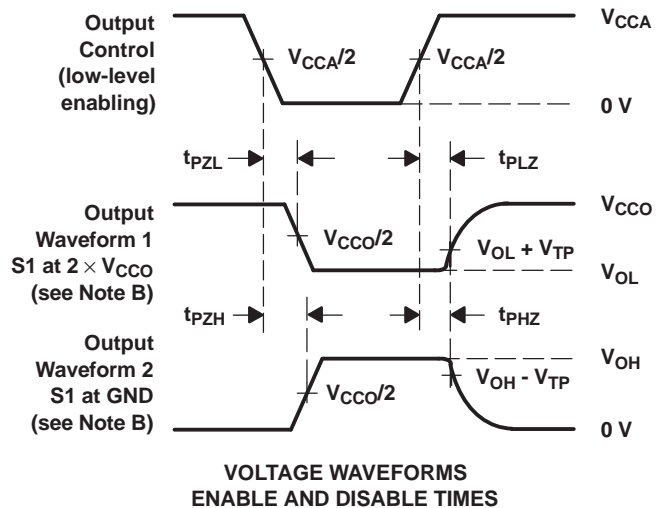
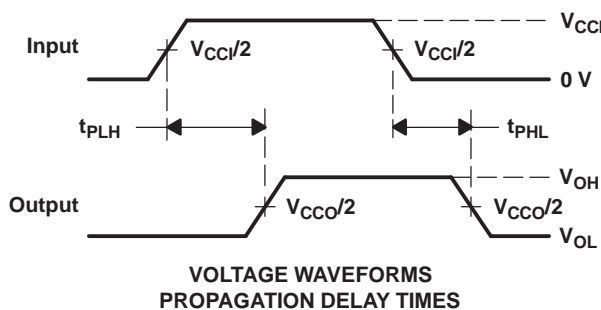
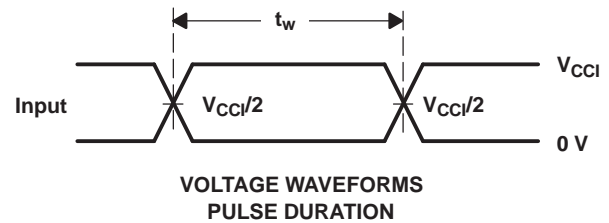
Figure 10. Typical A-to-B Propagation Delay, High to Low

7 Parameter Measurement Information



| TEST | S1 |
|-------------------|--------------------|
| t_{pd} | Open |
| t_{PLZ}/t_{PZL} | $2 \times V_{CCO}$ |
| t_{PHZ}/t_{PZH} | GND |

| V_{CCO} | C_L | R_L | V_{TP} |
|--------------------|-------|--------------|----------|
| 1.2 V | 15 pF | 2 k Ω | 0.1 V |
| 1.5 V \pm 0.1 V | 15 pF | 2 k Ω | 0.1 V |
| 1.8 V \pm 0.15 V | 15 pF | 2 k Ω | 0.15 V |
| 2.5 V \pm 0.2 V | 15 pF | 2 k Ω | 0.15 V |
| 3.3 V \pm 0.3 V | 15 pF | 2 k Ω | 0.3 V |



- NOTES:
- C_L includes probe and jig capacitance.
 - Waveform 1 is for an output with internal conditions such that the output is low, except when disabled by the output control. Waveform 2 is for an output with internal conditions such that the output is high, except when disabled by the output control.
 - All input pulses are supplied by generators having the following characteristics: $PRR \leq 10$ MHz, $Z_O = 50 \Omega$, $dv/dt \geq 1$ V/ns.
 - The outputs are measured one at a time, with one transition per measurement.
 - t_{PLZ} and t_{PHZ} are the same as t_{dis} .
 - t_{PZL} and t_{PZH} are the same as t_{en} .
 - t_{PLH} and t_{PHL} are the same as t_{pd} .
 - V_{CCI} is the V_{CC} associated with the input port.
 - V_{CCO} is the V_{CC} associated with the output port.

Figure 11. Load Circuit and Voltage Waveforms

8 Detailed Description

8.1 Overview

This dual-bit noninverting bus transceiver uses two separate configurable power-supply rails. The A port is designed to track V_{CCA} and accepts any supply voltage from 1.2 V to 3.6 V. The B port is designed to track V_{CCB} and accepts any supply voltage from 1.2 V to 3.6 V. This allows for universal low-voltage bidirectional translation and level-shifting between any of the 1.2 V, 1.5 V, 1.8 V, 2.5 V, and 3.3 V voltage nodes.

The SN74AVC2T45 is designed for asynchronous communication between two data buses. The logic levels of the direction-control (DIR) input activate either the B-port outputs or the A-port outputs. The device transmits data from the A bus to the B bus when the B-port outputs are activated and from the B bus to the A bus when the A-port outputs are activated. The input circuitry on both A and B ports always is active and must have a logic HIGH or LOW level applied to prevent excess internal leakage of the CMOS.

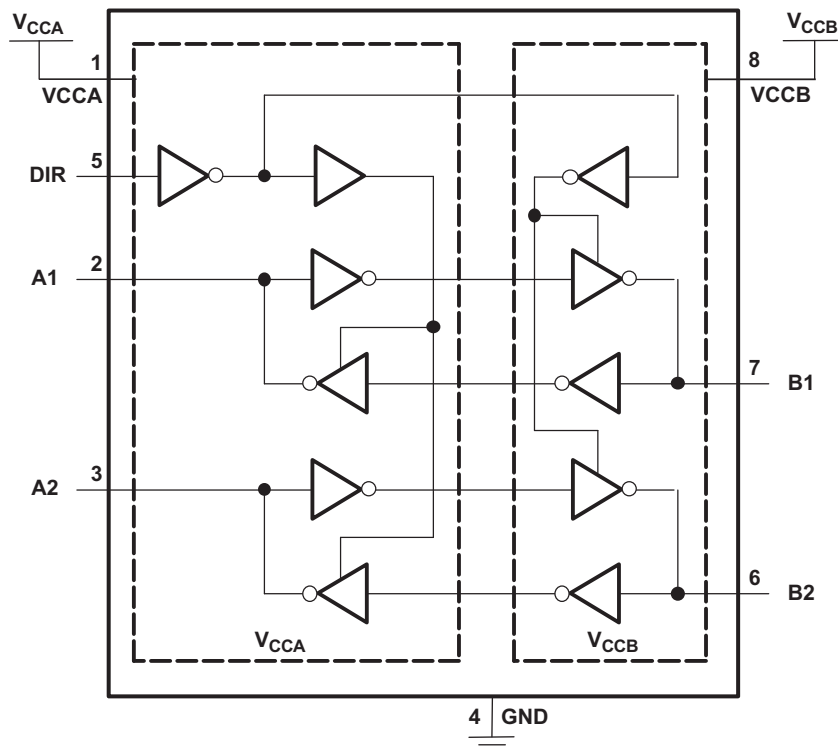
The SN74AVC2T45 is designed so that the DIR input is powered by supply voltage from V_{CCA} .

This device is fully specified for partial-power-down applications using off output current (I_{off}). The I_{off} circuitry disables the outputs, preventing damaging current backflow through the device when it is powered down.

The V_{CC} isolation feature ensures that if either V_{CC} input is at GND, both ports are put in a high-impedance state. This will prevent a false high or low logic being presented at the output.

NanoFree package technology is a major breakthrough in IC packaging concepts, using the die as the package.

8.2 Functional Block Diagram



Pin numbers are for the DCT and DCU packages only.

Figure 12. Logic Diagram (Positive Logic)

8.3 Feature Description

8.3.1 VCC Isolation

The V_{CC} isolation feature ensures that if either V_{CCA} or V_{CCB} are at GND, both ports will be in a high-impedance state (I_{OZ} shown in [Electrical Characteristics](#)). This prevents false logic levels from being presented to either bus.

8.3.2 2-Rail Design

Fully configurable 2-rail design allows each port to operate over the full 1.2 V to 3.6 V power-supply range.

8.3.3 IO Ports are 4.6-V Tolerant

The IO ports are up to 4.6 V tolerant.

8.3.4 Partial-Power-Down Mode

This device is fully specified for partial-power-down applications using off output current (I_{off}). The I_{off} circuitry disables the outputs, preventing damaging current backflow through the device when it is powered down.

8.4 Device Functional Modes

[Table 2](#) shows the functional modes of the SN74AVC2T45.

**Table 2. Function Table⁽¹⁾
(Each Transceiver)**

| INPUT DIR | OPERATION |
|-----------|-----------------|
| L | B data to A bus |
| H | A data to B bus |

(1) Input circuits of the data IOs always are active.

9 Application and Implementation

NOTE

Information in the following applications sections is not part of the TI component specification, and TI does not warrant its accuracy or completeness. TI's customers are responsible for determining suitability of components for their purposes. Customers should validate and test their design implementation to confirm system functionality.

9.1 Application Information

The SN74AVC2T45 is used to shift IO voltage levels from one voltage domain to another. Bus A and bus B have independent power supplies, and a direction pin is used to control the direction of data flow. Unused data ports must not be floating; tie the unused port input and output to ground directly.

9.2 Typical Applications

9.2.1 Unidirectional Logic Level-Shifting Application

Figure 13 is an example circuit of the SN74AVC2T45 used in a unidirectional logic level-shifting application.

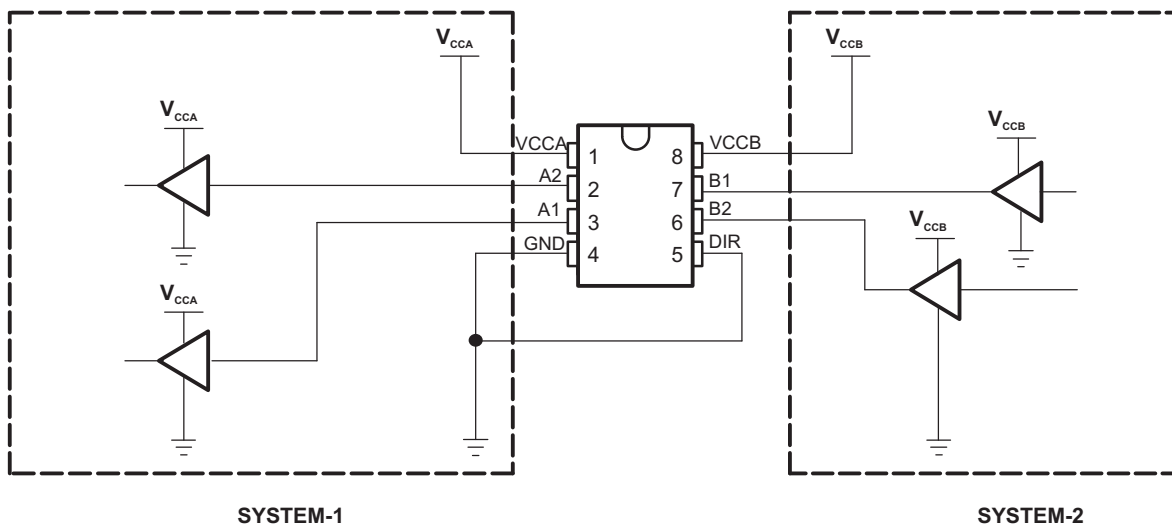


Figure 13. Unidirectional Logic Level-Shifting Application

9.2.1.1 Design Requirements

Table 3 lists the pins and pin descriptions of the SN74AVC2T45 connections with SYSTEM-1 and SYSTEM-2.

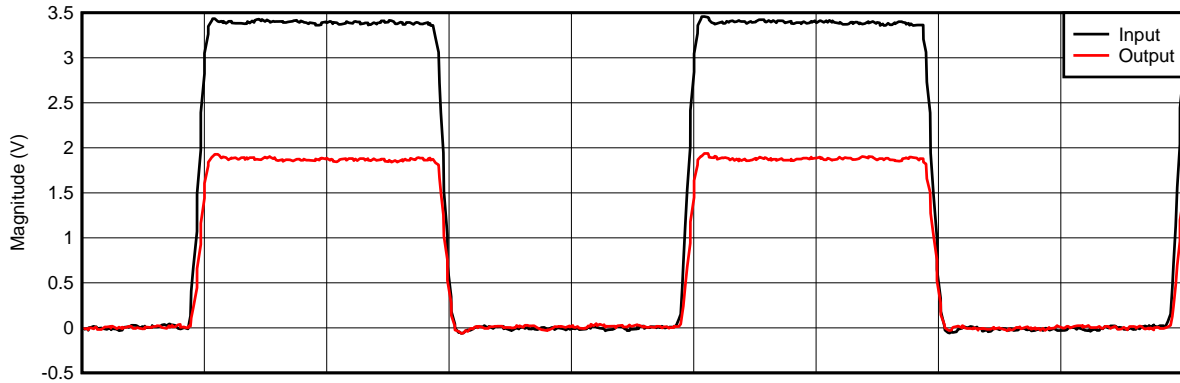
Table 3. SN74AVC2T45 Pin Connections With SYSTEM-1 and SYSTEM-2

| PIN | NAME | DESCRIPTION |
|-----|------|--|
| 1 | VCCA | SYSTEM-1 supply voltage (1.2 V to 3.6 V) |
| 2 | A1 | Output level depends on VCCA. |
| 3 | A2 | Output level depends on VCCA. |
| 4 | GND | Device GND |
| 5 | DIR | The GND (low-level) determines B-port to A-port direction. |
| 6 | B2 | Input threshold value depends on VCCB. |
| 7 | B1 | Input threshold value depends on VCCB. |
| 8 | VCCB | SYSTEM-2 supply voltage (1.2 V to 3.6 V) |

9.2.1.2 Detailed Design Procedure

This device uses drivers which are enabled depending on the state of the DIR pin. The designer must know the intended flow of data and take care not to violate any of the high or low logic levels. Unused data inputs must not be floating, as this can cause excessive internal leakage on the input CMOS structure. Make sure to tie any unused input and output ports directly to ground.

9.2.1.3 Application Curve



D001

Figure 14. 3.3 V to 1.8 V Level-Shifting With 1-MHz Square Wave

9.2.2 Bidirectional Logic Level-Shifting Application

Figure 15 shows the SN74AVC2T45 used in a bidirectional logic level-shifting application.

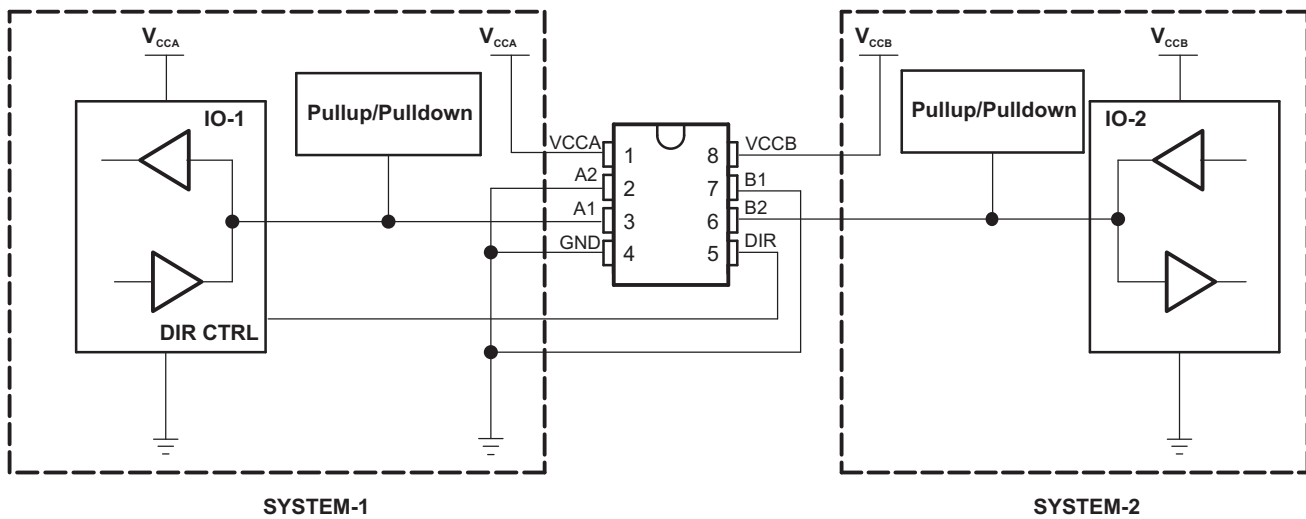


Figure 15. Bidirectional Logic Level-Shifting Application

9.2.2.1 Design Requirements

The SN74AVC2T45 does not have an output-enable (OE) pin, the system designer should take precautions to avoid bus contention between SYSTEM-1 and SYSTEM-2 when changing directions.

9.2.2.2 Detailed Design Procedure

Table 4 shows a sequence that illustrates data transmission from SYSTEM-1 to SYSTEM-2 and then from SYSTEM-2 to SYSTEM-1.

Table 4. Data Transmission Sequence

| STATE | DIR CTRL | IO-1 | IO-2 | DESCRIPTION |
|-------|----------|--------|--------|---|
| 1 | H | Output | Input | SYSTEM-1 data to SYSTEM-2 |
| 2 | H | Hi-Z | Hi-Z | SYSTEM-2 is getting ready to send data to SYSTEM-1. IO-1 and IO-2 are disabled. The bus-line state depends on pullup or pulldown. ⁽¹⁾ |
| 3 | L | Hi-Z | Hi-Z | DIR bit is flipped. IO-1 and IO-2 still are disabled. The bus-line state depends on pullup or pulldown. ⁽¹⁾ |
| 4 | L | Input | Output | SYSTEM-2 data to SYSTEM-1 |

(1) SYSTEM-1 and SYSTEM-2 must use the same conditions, that is, both pullup or both pulldown.

9.2.2.2.1 Enable Times

Calculate the enable times for the SN74AVC2T45 using the following formulas:

- $t_{PZH} \text{ (DIR to A)} = t_{PLZ} \text{ (DIR to B)} + t_{PLH} \text{ (B to A)}$
- $t_{PZL} \text{ (DIR to A)} = t_{PHZ} \text{ (DIR to B)} + t_{PHL} \text{ (B to A)}$
- $t_{PZH} \text{ (DIR to B)} = t_{PLZ} \text{ (DIR to A)} + t_{PLH} \text{ (A to B)}$
- $t_{PZL} \text{ (DIR to B)} = t_{PHZ} \text{ (DIR to A)} + t_{PHL} \text{ (A to B)}$

In a bidirectional application, these enable times provide the maximum delay from the time the DIR bit is switched until an output is expected. For example, if the SN74AVC2T45 initially is transmitting from A to B, then the DIR bit is switched; the B port of the device must be disabled before presenting it with an input. After the B port has been disabled, an input signal applied to it appears on the corresponding A port after the specified propagation delay.

10 Power Supply Recommendations

A proper power-up sequence always should be followed to avoid excessive current on the supply pin, bus contention, oscillations, or other anomalies. To guard against such power-up problems, take the following precautions:

1. Connect ground before any supply voltage is applied.
2. Power up V_{CCA} .
3. V_{CCB} can be ramped up along with or after V_{CCA} .

11 Layout

11.1 Layout Guidelines

To ensure reliability of the device, following common printed-circuit board layout guidelines is recommended.

- Bypass capacitors should be used on power supplies. Place the capacitors as close as possible to the V_{CCA} , V_{CCB} pin and GND pin.
- Short trace lengths should be used to avoid excessive loading.

11.2 Layout Example

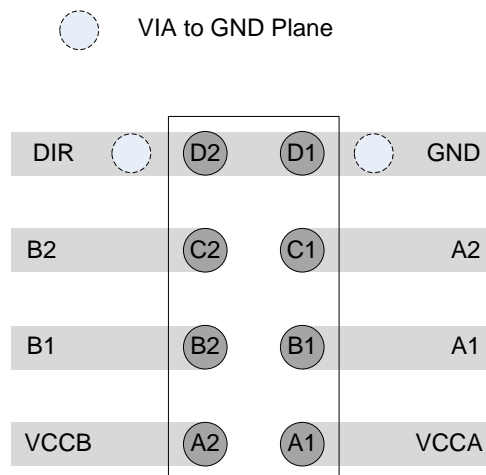


Figure 16. Layout Example for YZP Package

12 Device and Documentation Support

12.1 Documentation Support

12.1.1 Related Documentation

For related documentation see the following:

[Implications of Slow or Floating CMOS Inputs](#), SCBA004

12.2 Receiving Notification of Documentation Updates

To receive notification of documentation updates, navigate to the device product folder on ti.com. In the upper right corner, click on *Alert me* to register and receive a weekly digest of any product information that has changed. For change details, review the revision history included in any revised document.

12.3 Community Resources

The following links connect to TI community resources. Linked contents are provided "AS IS" by the respective contributors. They do not constitute TI specifications and do not necessarily reflect TI's views; see TI's [Terms of Use](#).

TI E2E™ Online Community *TI's Engineer-to-Engineer (E2E) Community*. Created to foster collaboration among engineers. At e2e.ti.com, you can ask questions, share knowledge, explore ideas and help solve problems with fellow engineers.

Design Support *TI's Design Support* Quickly find helpful E2E forums along with design support tools and contact information for technical support.

12.4 Trademarks

NanoFree, E2E are trademarks of Texas Instruments.
All other trademarks are the property of their respective owners.

12.5 Electrostatic Discharge Caution



These devices have limited built-in ESD protection. The leads should be shorted together or the device placed in conductive foam during storage or handling to prevent electrostatic damage to the MOS gates.

12.6 Glossary

[SLYZ022](#) — *TI Glossary*.

This glossary lists and explains terms, acronyms, and definitions.

13 Mechanical, Packaging, and Orderable Information

The following pages include mechanical, packaging, and orderable information. This information is the most current data available for the designated devices. This data is subject to change without notice and revision of this document. For browser-based versions of this data sheet, refer to the left-hand navigation.

PACKAGING INFORMATION

| Orderable Device | Status (1) | Package Type | Package Drawing | Pins | Package Qty | Eco Plan (2) | Lead/Ball Finish (6) | MSL Peak Temp (3) | Op Temp (°C) | Device Marking (4/5) | Samples |
|-------------------|---------------|--------------|-----------------|------|-------------|-------------------------|-------------------------|----------------------|--------------|-------------------------|-------------------------|
| SN74AVC2T45DCTR | ACTIVE | SM8 | DCT | 8 | 3000 | Green (RoHS & no Sb/Br) | CU NIPDAU | Level-1-260C-UNLIM | -40 to 85 | DT2 Z | Samples |
| SN74AVC2T45DCTRE4 | ACTIVE | SM8 | DCT | 8 | 3000 | Green (RoHS & no Sb/Br) | CU NIPDAU | Level-1-260C-UNLIM | -40 to 85 | DT2 Z | Samples |
| SN74AVC2T45DCTT | ACTIVE | SM8 | DCT | 8 | 250 | Green (RoHS & no Sb/Br) | CU NIPDAU | Level-1-260C-UNLIM | -40 to 85 | DT2 Z | Samples |
| SN74AVC2T45DCUR | ACTIVE | VSSOP | DCU | 8 | 3000 | Green (RoHS & no Sb/Br) | CU NIPDAU CU SN | Level-1-260C-UNLIM | -40 to 85 | (DT2R, T2) DZ | Samples |
| SN74AVC2T45DCURG4 | ACTIVE | VSSOP | DCU | 8 | 3000 | Green (RoHS & no Sb/Br) | CU NIPDAU | Level-1-260C-UNLIM | -40 to 85 | DT2R | Samples |
| SN74AVC2T45DCUT | ACTIVE | VSSOP | DCU | 8 | 250 | Green (RoHS & no Sb/Br) | CU NIPDAU | Level-1-260C-UNLIM | -40 to 85 | DT2R | Samples |
| SN74AVC2T45DCUTG4 | ACTIVE | VSSOP | DCU | 8 | 250 | Green (RoHS & no Sb/Br) | CU NIPDAU | Level-1-260C-UNLIM | -40 to 85 | DT2R | Samples |
| SN74AVC2T45YZPR | ACTIVE | DSBGA | YZP | 8 | 3000 | Green (RoHS & no Sb/Br) | SNAGCU | Level-1-260C-UNLIM | -40 to 85 | (TD7, TDN) | Samples |

(1) The marketing status values are defined as follows:

ACTIVE: Product device recommended for new designs.

LIFEBUY: TI has announced that the device will be discontinued, and a lifetime-buy period is in effect.

NRND: Not recommended for new designs. Device is in production to support existing customers, but TI does not recommend using this part in a new design.

PREVIEW: Device has been announced but is not in production. Samples may or may not be available.

OBSELETE: TI has discontinued the production of the device.

(2) **RoHS:** TI defines "RoHS" to mean semiconductor products that are compliant with the current EU RoHS requirements for all 10 RoHS substances, including the requirement that RoHS substance do not exceed 0.1% by weight in homogeneous materials. Where designed to be soldered at high temperatures, "RoHS" products are suitable for use in specified lead-free processes. TI may reference these types of products as "Pb-Free".

RoHS Exempt: TI defines "RoHS Exempt" to mean products that contain lead but are compliant with EU RoHS pursuant to a specific EU RoHS exemption.

Green: TI defines "Green" to mean the content of Chlorine (Cl) and Bromine (Br) based flame retardants meet JS709B low halogen requirements of <=1000ppm threshold. Antimony trioxide based flame retardants must also meet the <=1000ppm threshold requirement.

(3) MSL, Peak Temp. - The Moisture Sensitivity Level rating according to the JEDEC industry standard classifications, and peak solder temperature.

(4) There may be additional marking, which relates to the logo, the lot trace code information, or the environmental category on the device.

(5) Multiple Device Markings will be inside parentheses. Only one Device Marking contained in parentheses and separated by a "-" will appear on a device. If a line is indented then it is a continuation of the previous line and the two combined represent the entire Device Marking for that device.

(6) Lead/Ball Finish - Orderable Devices may have multiple material finish options. Finish options are separated by a vertical ruled line. Lead/Ball Finish values may wrap to two lines if the finish value exceeds the maximum column width.

Important Information and Disclaimer:The information provided on this page represents TI's knowledge and belief as of the date that it is provided. TI bases its knowledge and belief on information provided by third parties, and makes no representation or warranty as to the accuracy of such information. Efforts are underway to better integrate information from third parties. TI has taken and continues to take reasonable steps to provide representative and accurate information but may not have conducted destructive testing or chemical analysis on incoming materials and chemicals. TI and TI suppliers consider certain information to be proprietary, and thus CAS numbers and other limited information may not be available for release.

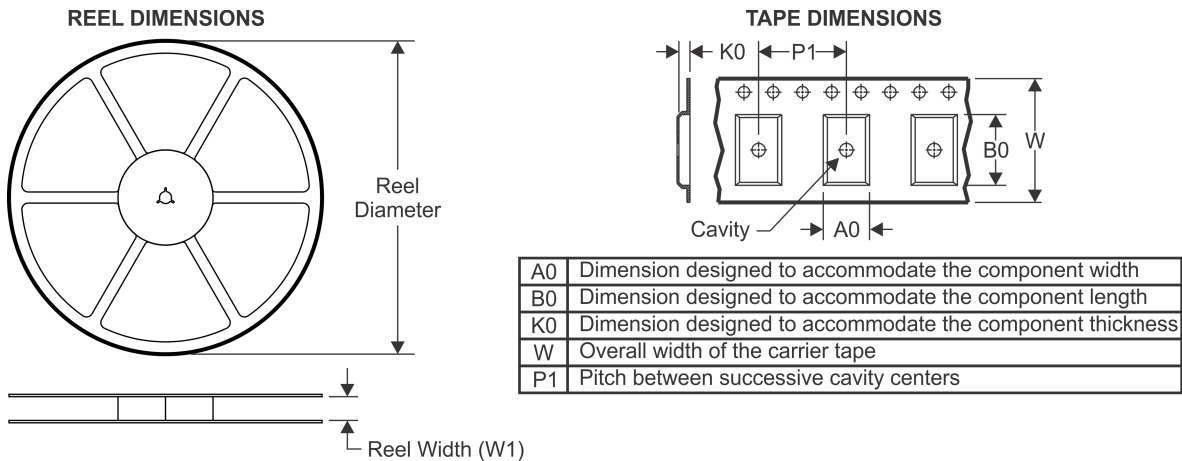
In no event shall TI's liability arising out of such information exceed the total purchase price of the TI part(s) at issue in this document sold by TI to Customer on an annual basis.

OTHER QUALIFIED VERSIONS OF SN74AVC2T45 :

- Automotive: [SN74AVC2T45-Q1](#)

NOTE: Qualified Version Definitions:

- Automotive - Q100 devices qualified for high-reliability automotive applications targeting zero defects

TAPE AND REEL INFORMATION

QUADRANT ASSIGNMENTS FOR PIN 1 ORIENTATION IN TAPE


*All dimensions are nominal

| Device | Package Type | Package Drawing | Pins | SPQ | Reel Diameter (mm) | Reel Width W1 (mm) | A0 (mm) | B0 (mm) | K0 (mm) | P1 (mm) | W (mm) | Pin1 Quadrant |
|-------------------|--------------|-----------------|------|------|--------------------|--------------------|---------|---------|---------|---------|--------|---------------|
| SN74AVC2T45DCTR | SM8 | DCT | 8 | 3000 | 180.0 | 13.0 | 3.35 | 4.5 | 1.55 | 4.0 | 12.0 | Q3 |
| SN74AVC2T45DCTT | SM8 | DCT | 8 | 250 | 180.0 | 13.0 | 3.35 | 4.5 | 1.55 | 4.0 | 12.0 | Q3 |
| SN74AVC2T45DCUR | VSSOP | DCU | 8 | 3000 | 180.0 | 8.4 | 2.25 | 3.35 | 1.05 | 4.0 | 8.0 | Q3 |
| SN74AVC2T45DCUR | VSSOP | DCU | 8 | 3000 | 180.0 | 9.0 | 2.05 | 3.3 | 1.0 | 4.0 | 8.0 | Q3 |
| SN74AVC2T45DCURG4 | VSSOP | DCU | 8 | 3000 | 180.0 | 8.4 | 2.25 | 3.35 | 1.05 | 4.0 | 8.0 | Q3 |
| SN74AVC2T45DCUTG4 | VSSOP | DCU | 8 | 250 | 180.0 | 8.4 | 2.25 | 3.35 | 1.05 | 4.0 | 8.0 | Q3 |
| SN74AVC2T45YZPR | DSBGA | YZP | 8 | 3000 | 178.0 | 9.2 | 1.02 | 2.02 | 0.63 | 4.0 | 8.0 | Q1 |

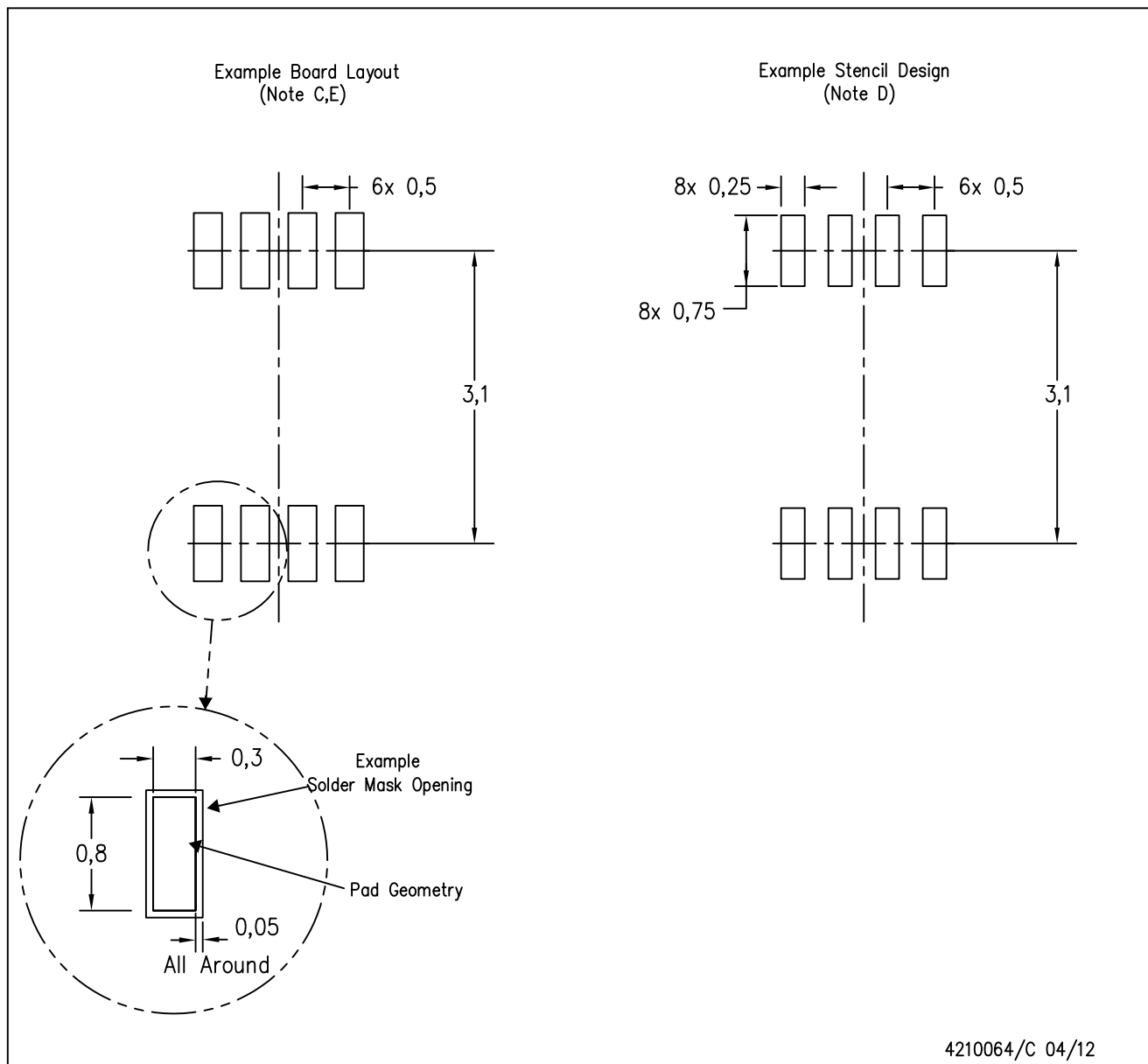
TAPE AND REEL BOX DIMENSIONS


*All dimensions are nominal

| Device | Package Type | Package Drawing | Pins | SPQ | Length (mm) | Width (mm) | Height (mm) |
|-------------------|--------------|-----------------|------|------|-------------|------------|-------------|
| SN74AVC2T45DCTR | SM8 | DCT | 8 | 3000 | 182.0 | 182.0 | 20.0 |
| SN74AVC2T45DCTT | SM8 | DCT | 8 | 250 | 182.0 | 182.0 | 20.0 |
| SN74AVC2T45DCUR | VSSOP | DCU | 8 | 3000 | 202.0 | 201.0 | 28.0 |
| SN74AVC2T45DCUR | VSSOP | DCU | 8 | 3000 | 182.0 | 182.0 | 20.0 |
| SN74AVC2T45DCURG4 | VSSOP | DCU | 8 | 3000 | 202.0 | 201.0 | 28.0 |
| SN74AVC2T45DCUTG4 | VSSOP | DCU | 8 | 250 | 202.0 | 201.0 | 28.0 |
| SN74AVC2T45YZPR | DSBGA | YZP | 8 | 3000 | 220.0 | 220.0 | 35.0 |

DCU (S-PDSO-G8)

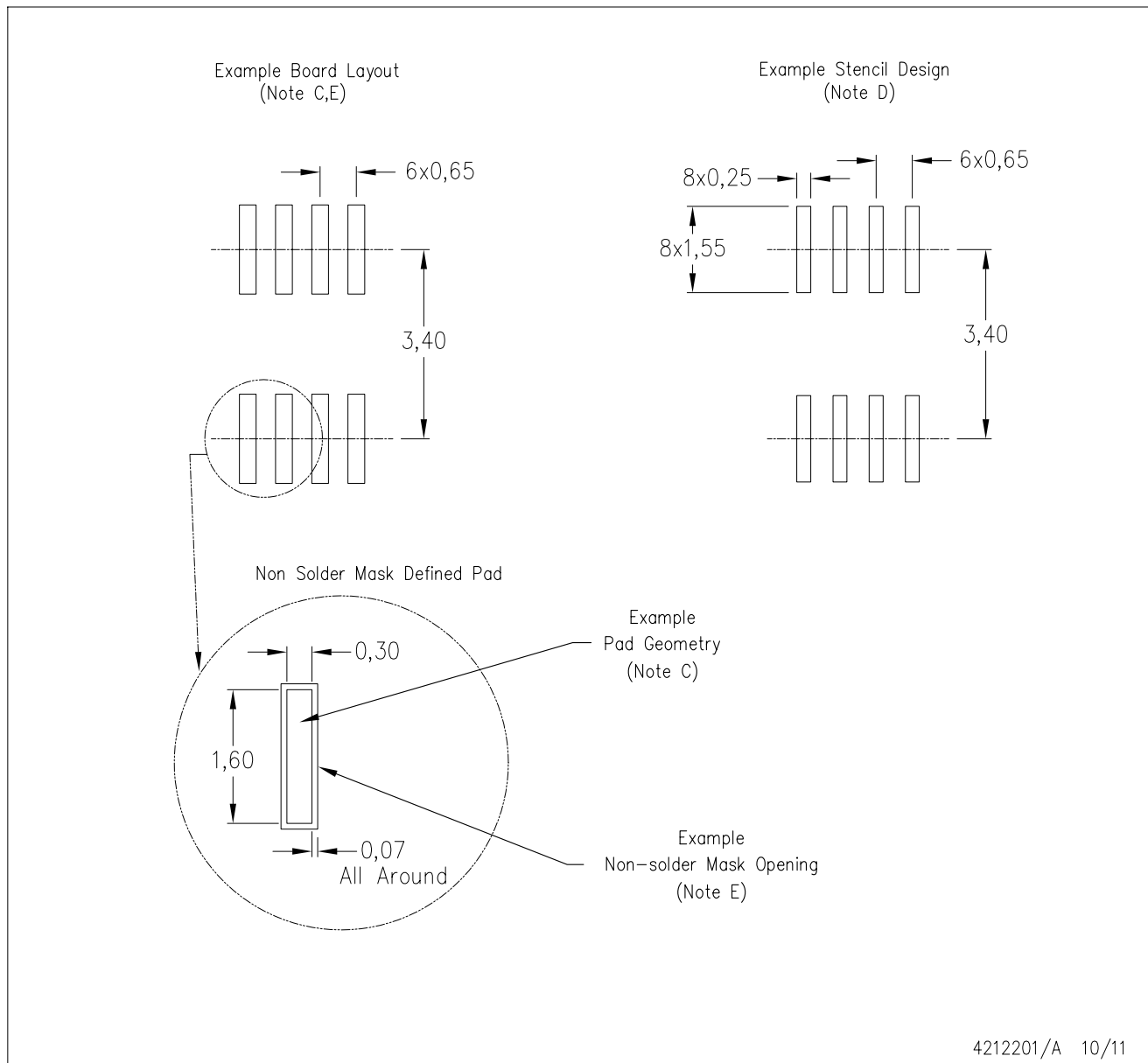
PLASTIC SMALL OUTLINE PACKAGE (DIE DOWN)



- NOTES:
- A. All linear dimensions are in millimeters.
 - B. This drawing is subject to change without notice.
 - C. Publication IPC-7351 is recommended for alternate designs.
 - D. Laser cutting apertures with trapezoidal walls and also rounding corners will offer better paste release. Customers should contact their board assembly site for stencil design recommendations. Refer to IPC-7525 for other stencil recommendations.
 - E. Customers should contact their board fabrication site for solder mask tolerances between and around signal pads.

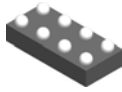
DCT (R-PDSO-G8)

PLASTIC SMALL OUTLINE



- NOTES: A. All linear dimensions are in millimeters.
 B. This drawing is subject to change without notice.
 C. Publication IPC-7351 is recommended for alternate designs.
 D. Laser cutting apertures with trapezoidal walls and also rounding corners will offer better paste release. Customers should contact their board assembly site for stencil design recommendations. Refer to IPC-7525.
 E. Customers should contact their board fabrication site for solder mask tolerances between and around signal pads.

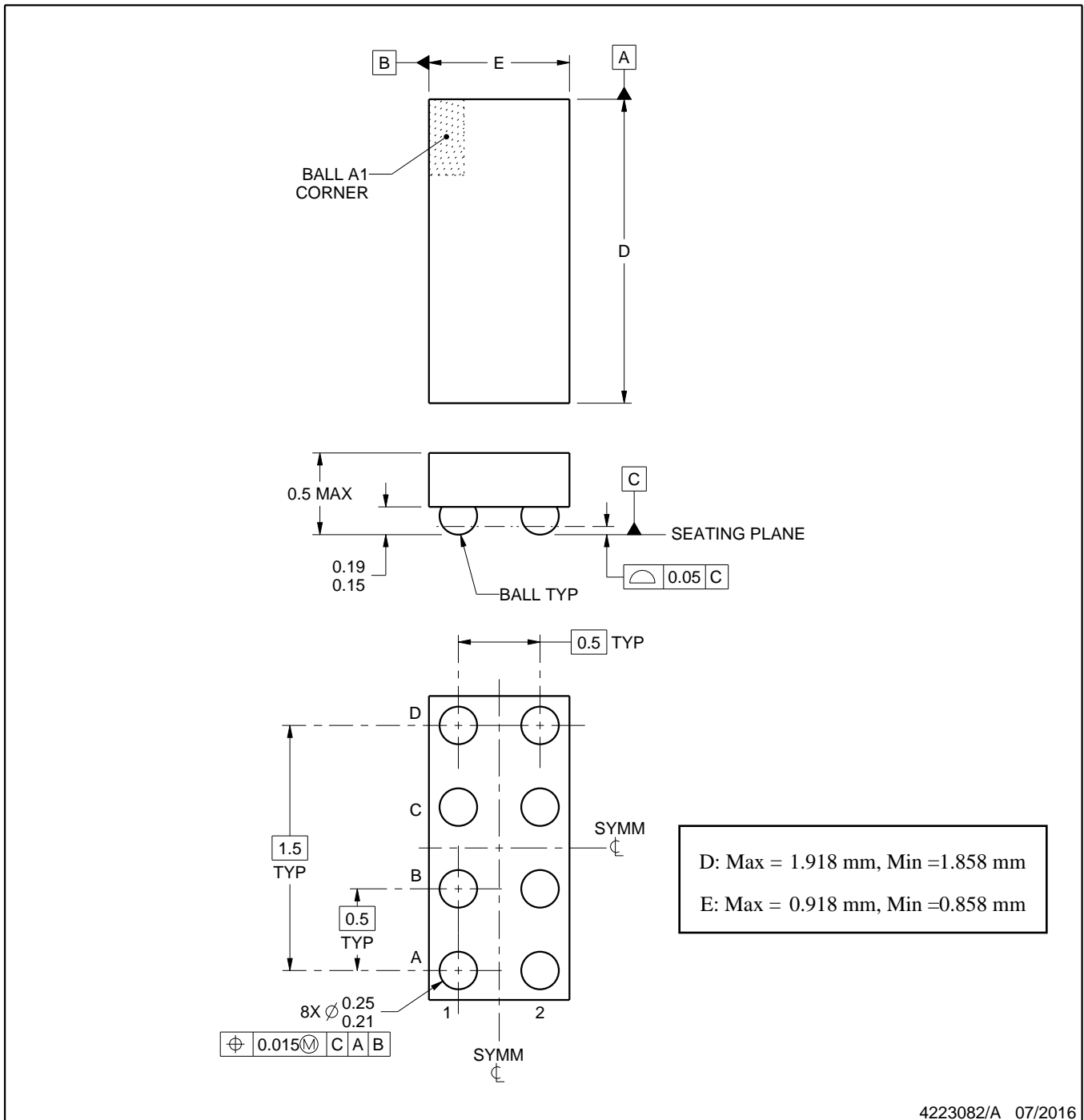
YZP0008



PACKAGE OUTLINE

DSBGA - 0.5 mm max height

DIE SIZE BALL GRID ARRAY



D: Max = 1.918 mm, Min = 1.858 mm
E: Max = 0.918 mm, Min = 0.858 mm

4223082/A 07/2016

NOTES:

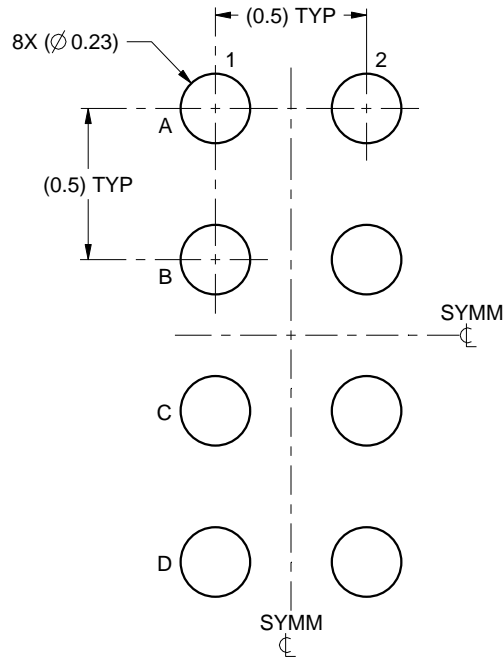
1. All linear dimensions are in millimeters. Any dimensions in parenthesis are for reference only. Dimensioning and tolerancing per ASME Y14.5M.
2. This drawing is subject to change without notice.

EXAMPLE BOARD LAYOUT

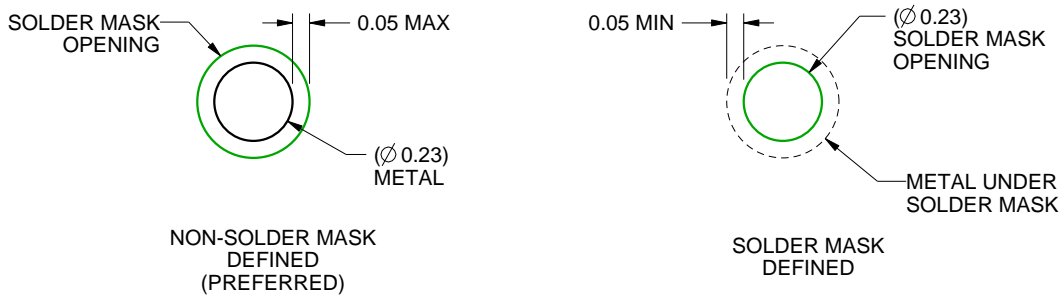
YZP0008

DSBGA - 0.5 mm max height

DIE SIZE BALL GRID ARRAY



LAND PATTERN EXAMPLE
SCALE:40X



SOLDER MASK DETAILS
NOT TO SCALE

4223082/A 07/2016

NOTES: (continued)

3. Final dimensions may vary due to manufacturing tolerance considerations and also routing constraints. For more information, see Texas Instruments literature number SNVA009 (www.ti.com/lit/snva009).

EXAMPLE STENCIL DESIGN

YZP0008

DSBGA - 0.5 mm max height

DIE SIZE BALL GRID ARRAY



SOLDER PASTE EXAMPLE
BASED ON 0.1 mm THICK STENCIL
SCALE:40X

4223082/A 07/2016

NOTES: (continued)

4. Laser cutting apertures with trapezoidal walls and rounded corners may offer better paste release.

IMPORTANT NOTICE AND DISCLAIMER

TI PROVIDES TECHNICAL AND RELIABILITY DATA (INCLUDING DATASHEETS), DESIGN RESOURCES (INCLUDING REFERENCE DESIGNS), APPLICATION OR OTHER DESIGN ADVICE, WEB TOOLS, SAFETY INFORMATION, AND OTHER RESOURCES "AS IS" AND WITH ALL FAULTS, AND DISCLAIMS ALL WARRANTIES, EXPRESS AND IMPLIED, INCLUDING WITHOUT LIMITATION ANY IMPLIED WARRANTIES OF MERCHANTABILITY, FITNESS FOR A PARTICULAR PURPOSE OR NON-INFRINGEMENT OF THIRD PARTY INTELLECTUAL PROPERTY RIGHTS.

These resources are intended for skilled developers designing with TI products. You are solely responsible for (1) selecting the appropriate TI products for your application, (2) designing, validating and testing your application, and (3) ensuring your application meets applicable standards, and any other safety, security, or other requirements. These resources are subject to change without notice. TI grants you permission to use these resources only for development of an application that uses the TI products described in the resource. Other reproduction and display of these resources is prohibited. No license is granted to any other TI intellectual property right or to any third party intellectual property right. TI disclaims responsibility for, and you will fully indemnify TI and its representatives against, any claims, damages, costs, losses, and liabilities arising out of your use of these resources.

TI's products are provided subject to TI's Terms of Sale (www.ti.com/legal/termsofsale.html) or other applicable terms available either on ti.com or provided in conjunction with such TI products. TI's provision of these resources does not expand or otherwise alter TI's applicable warranties or warranty disclaimers for TI products.

Mailing Address: Texas Instruments, Post Office Box 655303, Dallas, Texas 75265
Copyright © 2019, Texas Instruments Incorporated

Looking for pricing, stock, or lifecycle information?

Click below to explore more details on WIN SOURCE:

 [View SN74AVC2T45DCURG4 on WIN SOURCE](#)

 [Texas Instruments](#) Information

Optimize Your Supply Chain with WIN SOURCE Solutions

-  Global Sourcing Solution
-  Obsolete Management
-  Cost Control Management
-  Shortage Management
-  Alternative Solution
-  Excess Inventory Management