

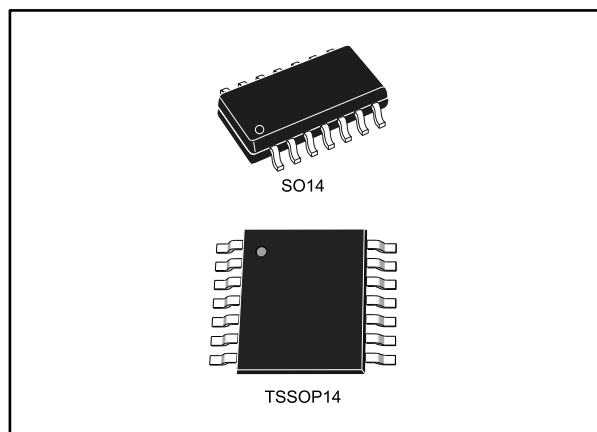


THE DATASHEET OF LM2902WYPT



Low-power quad operational amplifier

Datasheet - production data



Description

This circuit consists of four independent, high-gain operational amplifiers which have frequency compensation implemented internally and are designed especially for automotive and industrial control systems.

The device operates from a single power supply over a wide range of voltages. Operation from split power supplies is also possible and the low power supply current drain is independent of the magnitude of the power supply voltage.

All the pins are protected against electrostatic discharges up to 800 V.

Features

- Wide gain bandwidth: 1.3 MHz
- Input common-mode voltage range includes negative rail
- Large voltage gain: 100 dB
- Very low supply current per amplifier: 375 μ A
- Low input bias current: 20 nA
- Low input offset current: 2 nA
- ESD internal protection: 800 V
- Wide power supply range
- Single supply: 3 V to 30 V
- Dual supplies: ± 1.5 V to ± 15 V

Contents

1 Schematic diagram..... 3

2 Package pin connections..... 4

3 Absolute maximum ratings and operating conditions 5

4 Electrical characteristics 6

5 Electrical characteristic curves 8

6 Typical single-supply applications 11

7 Macromodel 13

8 Package information 14

 8.1 SO14 package information..... 15

 8.2 TSSOP14 package information..... 16

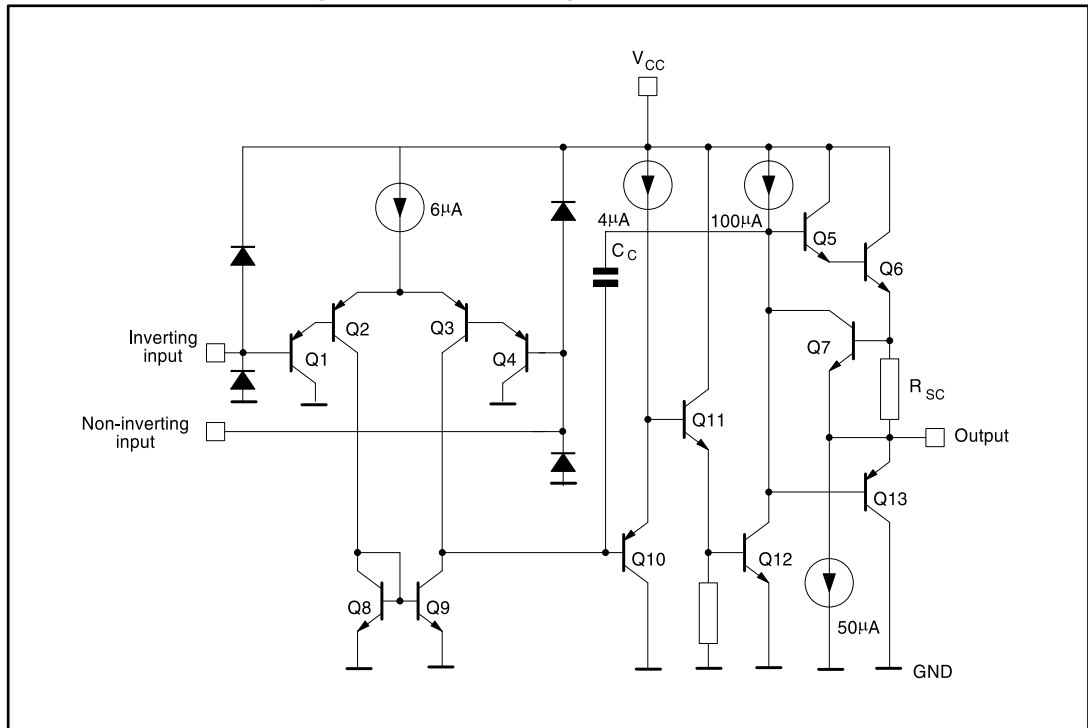
9 Ordering information..... 17

10 Revision history 18



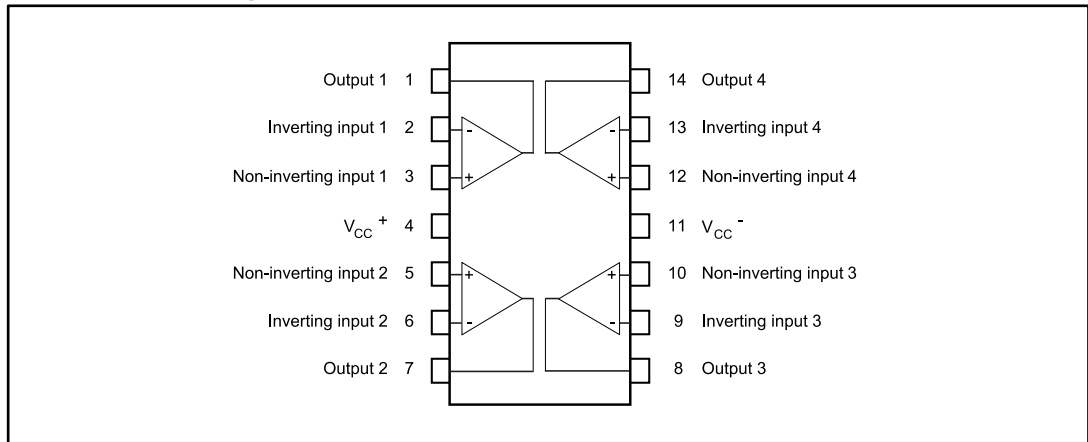
1 Schematic diagram

Figure 1: Schematic diagram (1/4 LM2902W)



2 Package pin connections

Figure 2: SO14 and TSSOP14 pin connections (top view)



3 Absolute maximum ratings and operating conditions

Table 1: Absolute maximum ratings

Symbol	Parameter	Value	Unit	
V_{CC}	Supply voltage	± 16 to 32	V	
V_{id}	Differential input voltage	32		
V_i	Input voltage	-0.3 to $(V_{CC}^+) + 0.3$		
	Output short-circuit to ground ⁽¹⁾	Infinite		
I_{in}	Input current ⁽²⁾	50	mA	
T_{stg}	Storage temperature range	-65 to 150	°C	
R_{thja}	Thermal resistance junction to ambient ⁽³⁾	SO14	105	°C/W
		TSSOP14	100	
R_{thjc}	Thermal resistance junction to case ⁽³⁾	SO14	31	
		TSSOP14	32	
ESD	HBM: human body model ⁽⁴⁾	800	V	
	MM: machine model ⁽⁵⁾	100		
	CDM: charged device model ⁽⁶⁾	1500		

Notes:

⁽¹⁾ Short-circuits from the output to V_{CC}^+ can cause excessive heating and potential destruction. The maximum output current is approximately 20 mA, independent of the magnitude of V_{CC}^+

⁽²⁾ This input current only exists when the voltage at any of the input leads is driven negative. It is due to the collector-base junction of the input PNP transistor becoming forward biased and thereby acting as an input diode clamp. In addition to this diode action, there is also NPN parasitic action on the IC chip. This transistor action can cause the output voltages of the op amps to go to the V_{CC} voltage level (or to ground for a large overdrive) for the time during which an input is driven negative. This is not destructive and normal output is restored for input voltages higher than -0.3 V.

⁽³⁾ $R_{thja/c}$ are typical values.

⁽⁴⁾ Human body model: a 100 pF capacitor is charged to the specified voltage, then discharged through a 1.5 k Ω resistor between two pins of the device. This is done for all couples of connected pin combinations while the other pins are floating.

⁽⁵⁾ Machine model: a 200 pF capacitor is charged to the specified voltage, then discharged directly between two pins of the device with no external series resistor (internal resistor < 5 Ω). This is done for all couples of connected pin combinations while the other pins are floating.

⁽⁶⁾ Charged device model: all pins and the package are charged together to the specified voltage and then discharged directly to the ground through only one pin. This is done for all pins.

Table 2: Operating conditions

Symbol	Parameter	Value	Unit
V_{CC}	Supply voltage	3 to 30	V
V_{icm}	Common mode input voltage range	(V_{CC}^-) to $(V_{CC}^+) - 1.5$	
		(V_{CC}^-) to $(V_{CC}^+) - 2$	
T_{oper}	Operating free-air temperature range	-40 to 125	°C

4 Electrical characteristics

Table 3: $V_{CC+} = 5\text{ V}$, $V_{CC-} = \text{ground}$, $V_O = 1.4\text{ V}$, $T_{\text{amb}} = 25\text{ °C}$ (unless otherwise stated)

Symbol	Parameter	Test conditions	Min.	Typ.	Max.	Unit
V_{i_o}	Input offset voltage (1)	LM2902W		2	7	mV
		LM2902AW			2	
		$T_{\text{min}} \leq T_{\text{amb}} \leq T_{\text{max}}$, LM2902W			9	
		$T_{\text{min}} \leq T_{\text{amb}} \leq T_{\text{max}}$, LM2902AW			4	
$\Delta V_{i_o}/\Delta T$	Input offset voltage drift			7	30	$\mu\text{V}/\text{°C}$
I_{i_o}	Input offset current	$T_{\text{amb}} = 25\text{ °C}$		2	30	nA
		$T_{\text{min}} \leq T_{\text{amb}} \leq T_{\text{max}}$			40	
$D I_{i_o}$	Input offset current drift			10	200	$\text{pA}/\text{°C}$
I_{i_b}	Input bias current (2)	$T_{\text{amb}} = 25\text{ °C}$		20	150	nA
		$T_{\text{min}} \leq T_{\text{amb}} \leq T_{\text{max}}$			300	
A_{v_d}	Large signal voltage gain	$V_{CC+} = 15\text{ V}$, $R_L = 2\text{ k}\Omega$, $V_o = 1.4\text{ V to } 11.4\text{ V}$, $T_{\text{amb}} = 25\text{ °C}$	50	100		V/mV
		$V_{CC+} = 15\text{ V}$, $R_L = 2\text{ k}\Omega$, $V_o = 1.4\text{ V to } 11.4\text{ V}$, $T_{\text{min}} \leq T_{\text{amb}} \leq T_{\text{max}}$	25			
SVR	Supply voltage rejection ratio	$R_S \leq 10\text{ k}\Omega$, $T_{\text{amb}} = 25\text{ °C}$	65	110		dB
		$R_S \leq 10\text{ k}\Omega$, $T_{\text{min}} \leq T_{\text{amb}} \leq T_{\text{max}}$	65			
I_{CC}	Supply current (all op amps, no load)	$T_{\text{amb}} = 25\text{ °C}$, $V_{CC+} = 5\text{ V}$		0.7	1.2	mA
		$T_{\text{amb}} = 25\text{ °C}$, $V_{CC+} = 30\text{ V}$		1.5	3	
		$T_{\text{min}} \leq T_{\text{amb}} \leq T_{\text{max}}$, $V_{CC+} = 5\text{ V}$		0.9	1.2	
		$T_{\text{min}} \leq T_{\text{amb}} \leq T_{\text{max}}$, $V_{CC+} = 30\text{ V}$		1.5	3	
CMR	Common-mode rejection ratio	$R_S \leq 10\text{ k}\Omega$, $T_{\text{amb}} = 25\text{ °C}$	70	80		dB
		$R_S \leq 10\text{ k}\Omega$, $T_{\text{min}} \leq T_{\text{amb}} \leq T_{\text{max}}$	60			
I_o	Output short-circuit current	$V_{i_d} = 1\text{ V}$, $V_{CC+} = 15\text{ V}$, $V_o = 2\text{ V}$	20	40	70	mA
I_{sink}	Output sink current	$V_{i_d} = -1\text{ V}$, $V_{CC+} = 15\text{ V}$, $V_o = 2\text{ V}$	10	20		
V_{OH}	High-level output voltage	$V_{CC+} = 30\text{ V}$, $R_L = 2\text{ k}\Omega$, $T_{\text{amb}} = 25\text{ °C}$	26	27		V
		$V_{CC+} = 30\text{ V}$, $R_L = 2\text{ k}\Omega$, $T_{\text{min}} = T_{\text{amb}} = T_{\text{max}}$	26			
		$V_{CC+} = 30\text{ V}$, $R_L = 10\text{ k}\Omega$, $T_{\text{amb}} = 25\text{ °C}$	27	28		
		$V_{CC+} = 30\text{ V}$, $R_L = 10\text{ k}\Omega$, $T_{\text{min}} = T_{\text{amb}} = T_{\text{max}}$	27			
		$V_{CC+} = 5\text{ V}$, $R_L = 2\text{ k}\Omega$, $T_{\text{amb}} = 25\text{ °C}$	3.5			
		$V_{CC+} = 5\text{ V}$, $R_L = 2\text{ k}\Omega$, $T_{\text{min}} = T_{\text{amb}} = T_{\text{max}}$	3			
V_{OL}	Low level output voltage	$R_L = 10\text{ k}\Omega$, $T_{\text{amb}} = 25\text{ °C}$		5	20	mV
		$R_L = 10\text{ k}\Omega$, $T_{\text{min}} = T_{\text{amb}} = T_{\text{max}}$			20	
SR	Slew rate	$V_{CC+} = 15\text{ V}$, $V_{i_n} = 0.5\text{ to } 3\text{ V}$, $R_L = 2\text{ k}\Omega$, $C_L = 100\text{ pF}$, unity gain	0.24	0.4		$\text{V}/\mu\text{s}$

Symbol	Parameter	Test conditions	Min.	Typ.	Max.	Unit
SR	Slew rate	$V_{CC}^+ = 15\text{ V}$, $V_{in} = 0.5\text{ to }3\text{ V}$, $R_L = 2\text{ k}\Omega$, $C_L = 100\text{ pF}$, unity gain, $T_{min} \leq T_{amb} \leq T_{max}$	0.14			V/ μ s
GBP	Gain bandwidth product	$V_{CC}^+ = 30\text{ V}$, $V_{in} = 10\text{ mV}$, $R_L = 2\text{ k}\Omega$, $C_L = 100\text{ pF}$		1.3		MHz
THD	Total harmonic distortion	$f = 1\text{ kHz}$, $A_V = 20\text{ dB}$, $R_L = 2\text{ k}\Omega$, $V_o = 2\text{ V}_{pp}$, $C_L = 100\text{ pF}$, $V_{CC}^+ = 30\text{ V}$		0.015		%
e_n	Equivalent input noise voltage	$f = 1\text{ kHz}$, $R_S = 100\ \Omega$, $V_{CC}^+ = 30\text{ V}$		40		nV/ $\sqrt{\text{Hz}}$
V_{O1}/V_{O2}	Channel separation ⁽³⁾	$1\text{ kHz} \leq f \leq 20\text{ kHz}$		120		dB

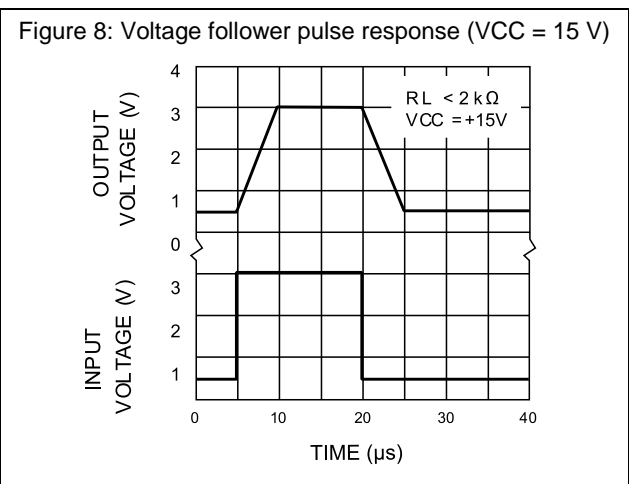
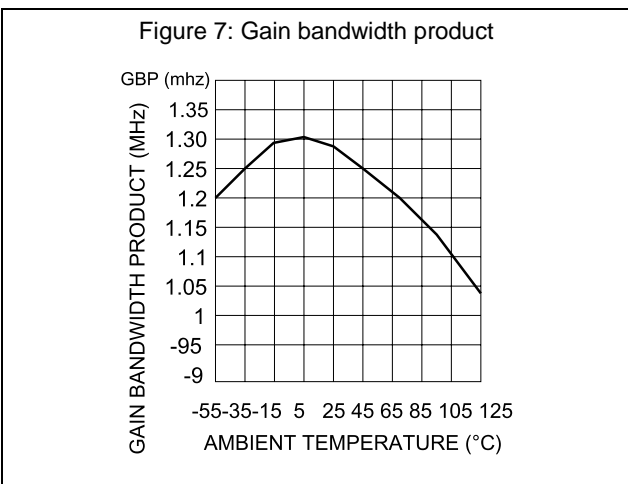
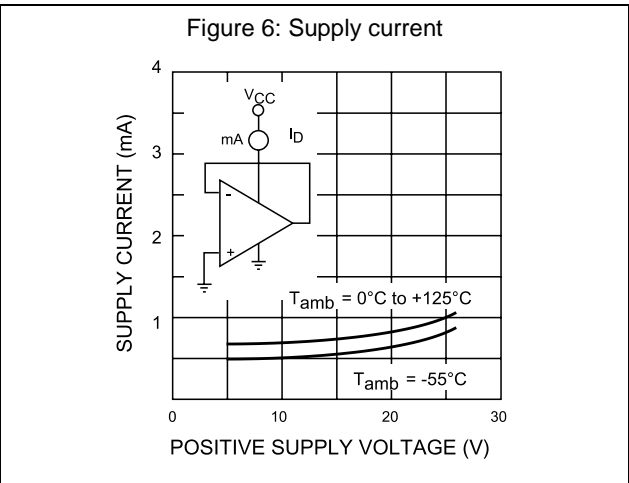
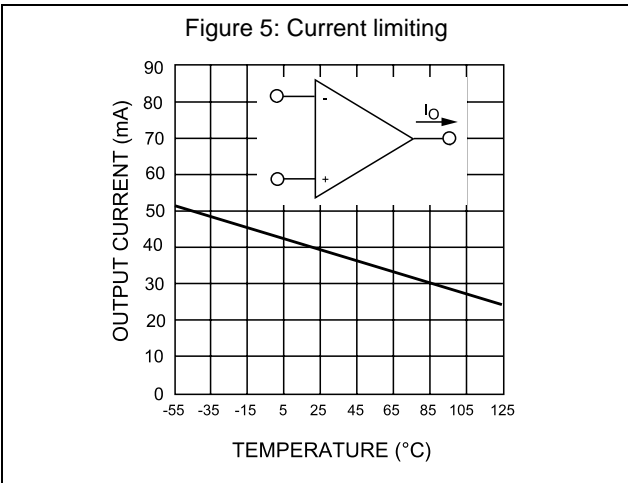
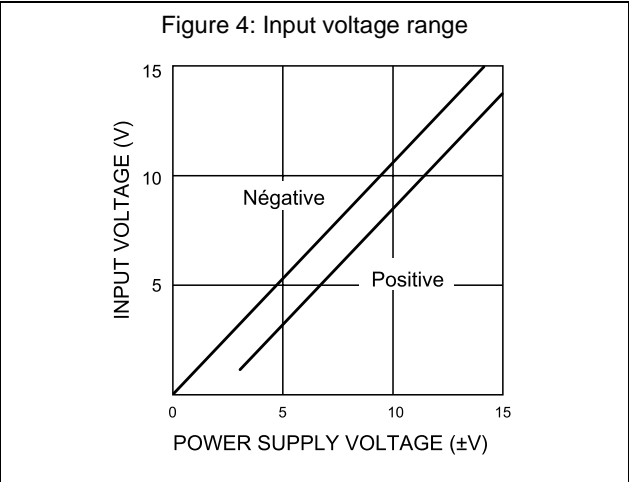
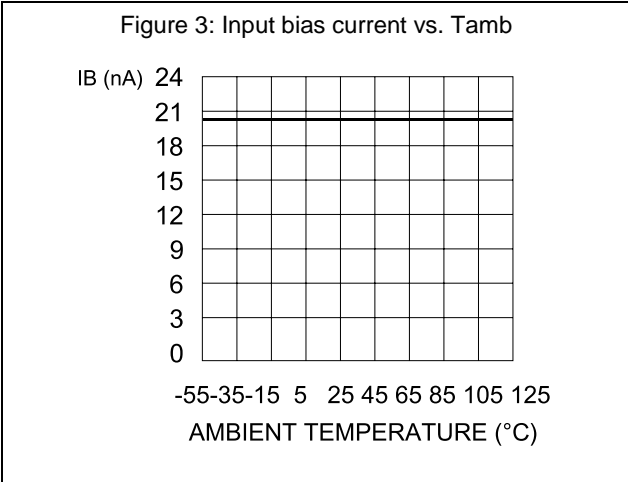
Notes:

⁽¹⁾ $V_O = 1.4\text{ V}$, $R_S = 0\ \Omega$, $5\text{ V} < V_{CC}^+ < 30\text{ V}$, $0\text{ V} < V_{ic} < (V_{CC}^+) - 1.5\text{ V}$.

⁽²⁾The direction of the input current is out of the IC. This current is essentially constant, independent of the state of the output, so there is no change in the load on the input lines.

⁽³⁾Due to the proximity of external components, ensure that stray capacitance does not cause coupling between these external parts. Typically, this can be detected as this type of capacitance increases at higher frequencies.

5 Electrical characteristic curves



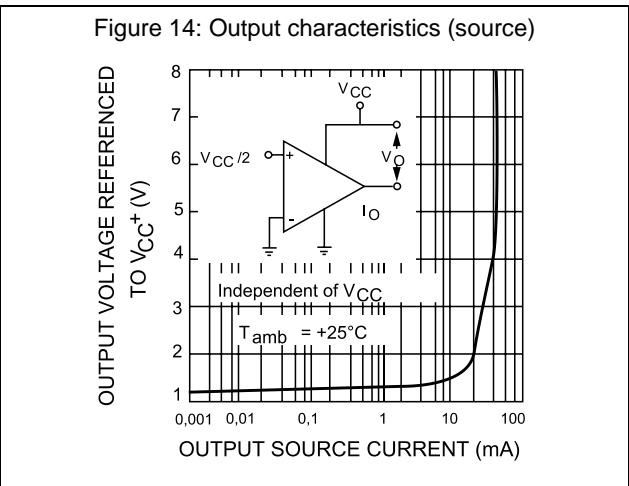
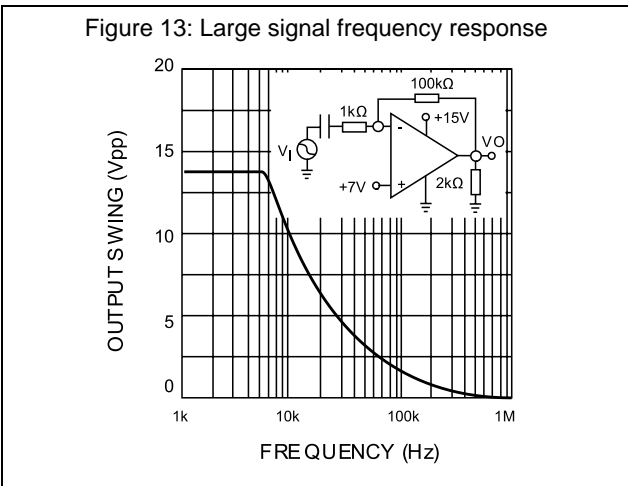
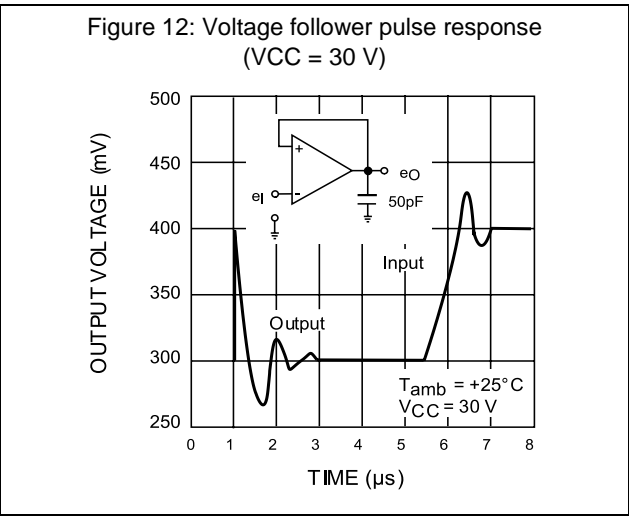
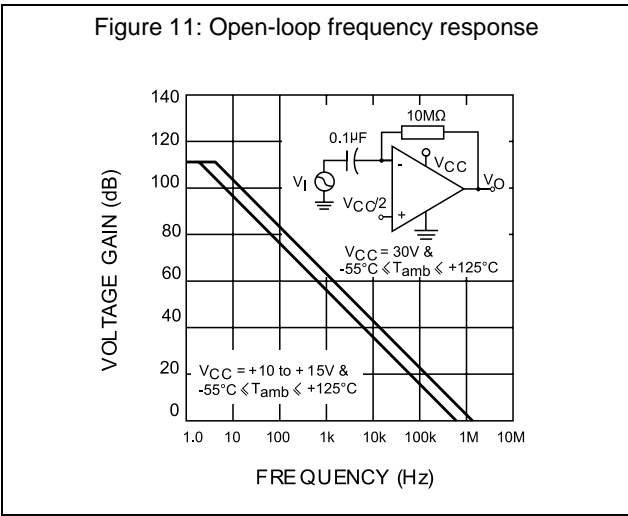
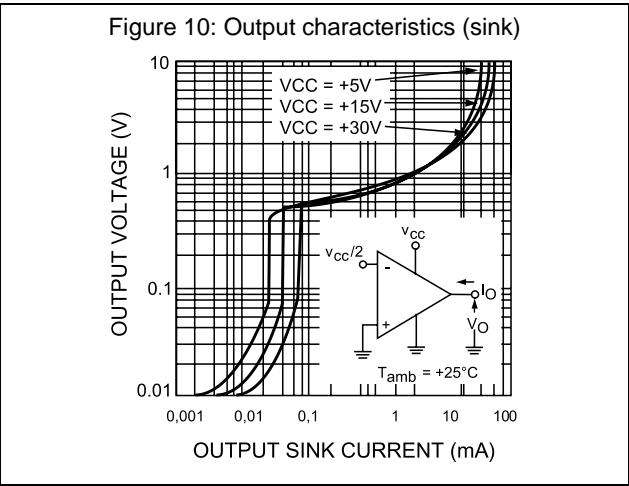
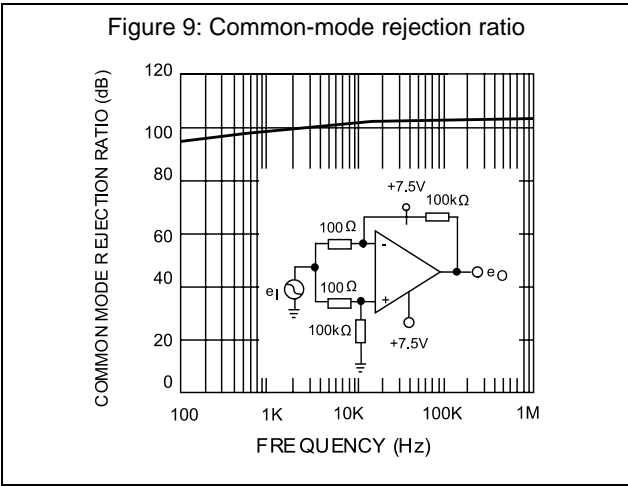


Figure 15: Input current

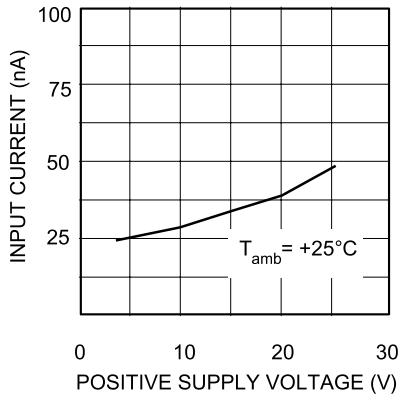


Figure 16: Voltage gain

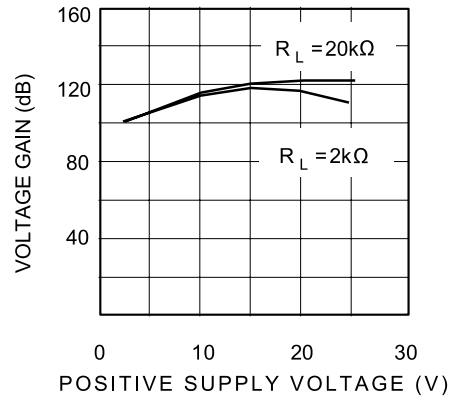


Figure 17: Power supply and common-mode rejection ratio

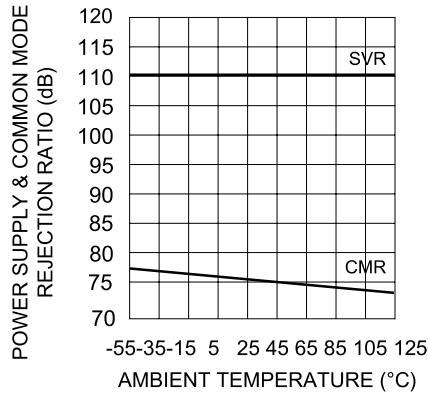
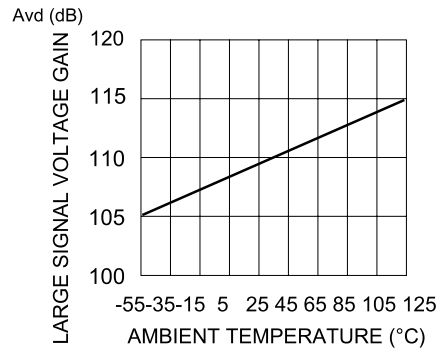


Figure 18: Large signal voltage gain



6 Typical single-supply applications

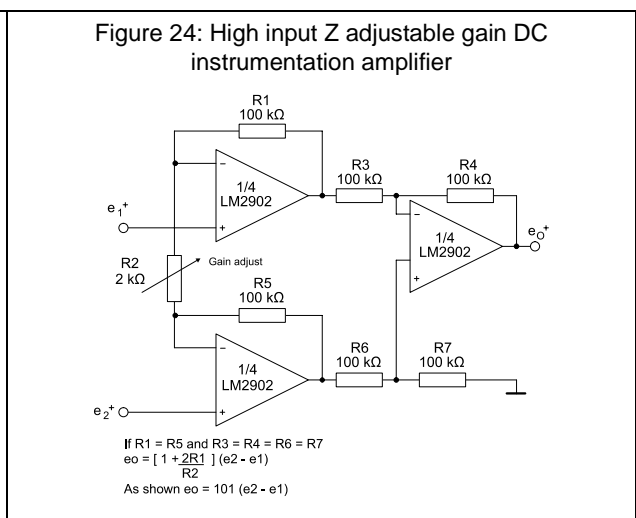
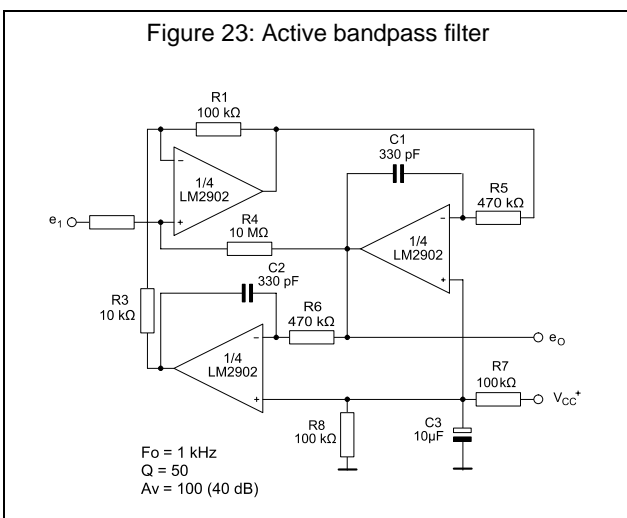
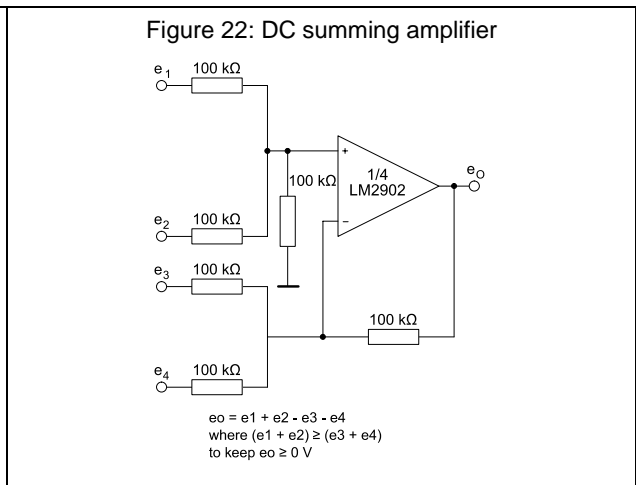
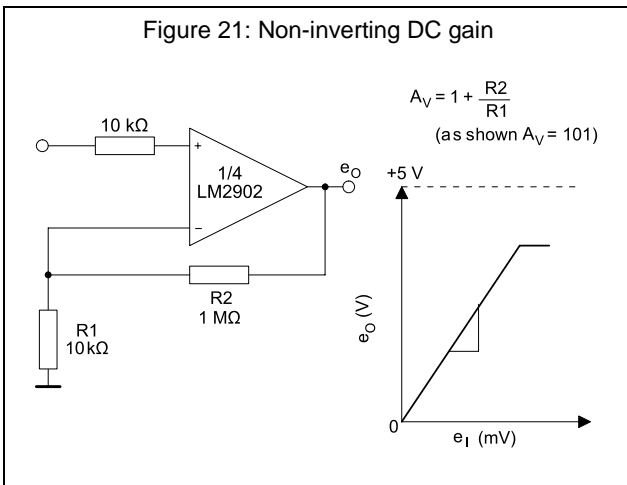
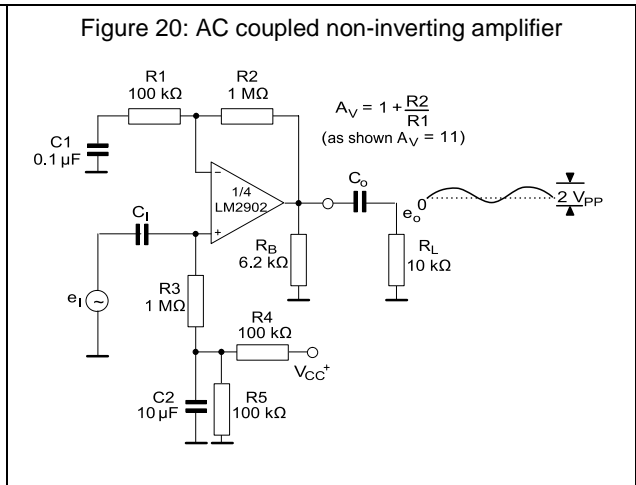
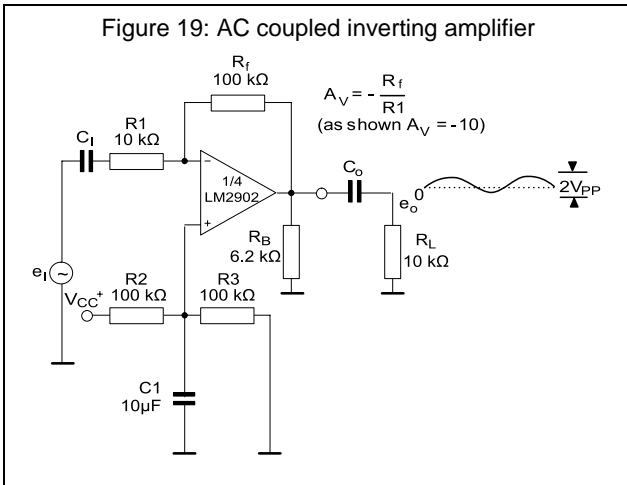
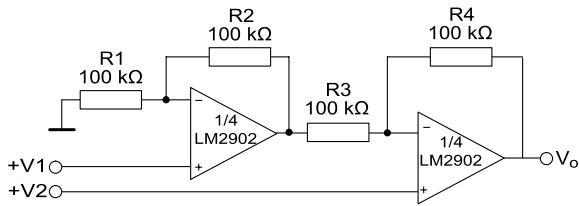


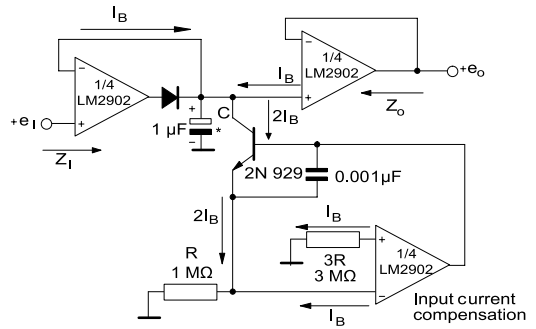
Figure 25: High input Z, DC differential amplifier



$$e_o = \left[1 + \frac{R_4}{R_3} \right] (e_2 - e_1)$$

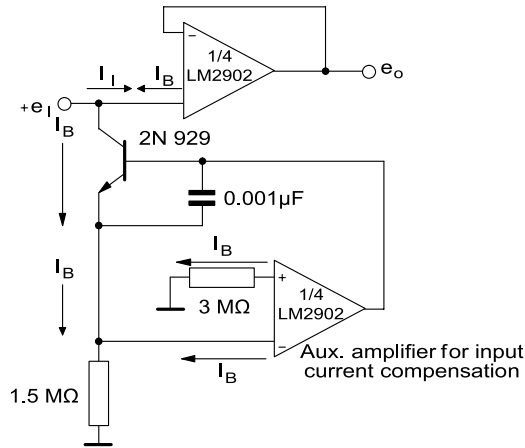
As shown $e_o = (e_2 - e_1)$

Figure 26: Low drift peak detector



* Polycarbonate or polyethylene

Figure 27: Using symmetrical amplifiers to reduce input current (general concept)



7 Macromodel

An accurate macromodel of the LM2902W is available on STMicroelectronics' web site at www.st.com. This model is a trade-off between accuracy and complexity (that is, time simulation) of the LM2902W operational amplifiers. It emulates the nominal performances of a typical device within the specified operating conditions mentioned in the datasheet. It also helps to validate a design approach and to select the right operational amplifier, *but it does not* replace on-board measurements.

8 Package information

In order to meet environmental requirements, ST offers these devices in different grades of ECOPACK[®] packages, depending on their level of environmental compliance. ECOPACK[®] specifications, grade definitions and product status are available at: www.st.com. ECOPACK[®] is an ST trademark.

8.1 SO14 package information

Figure 28: SO14 package outline

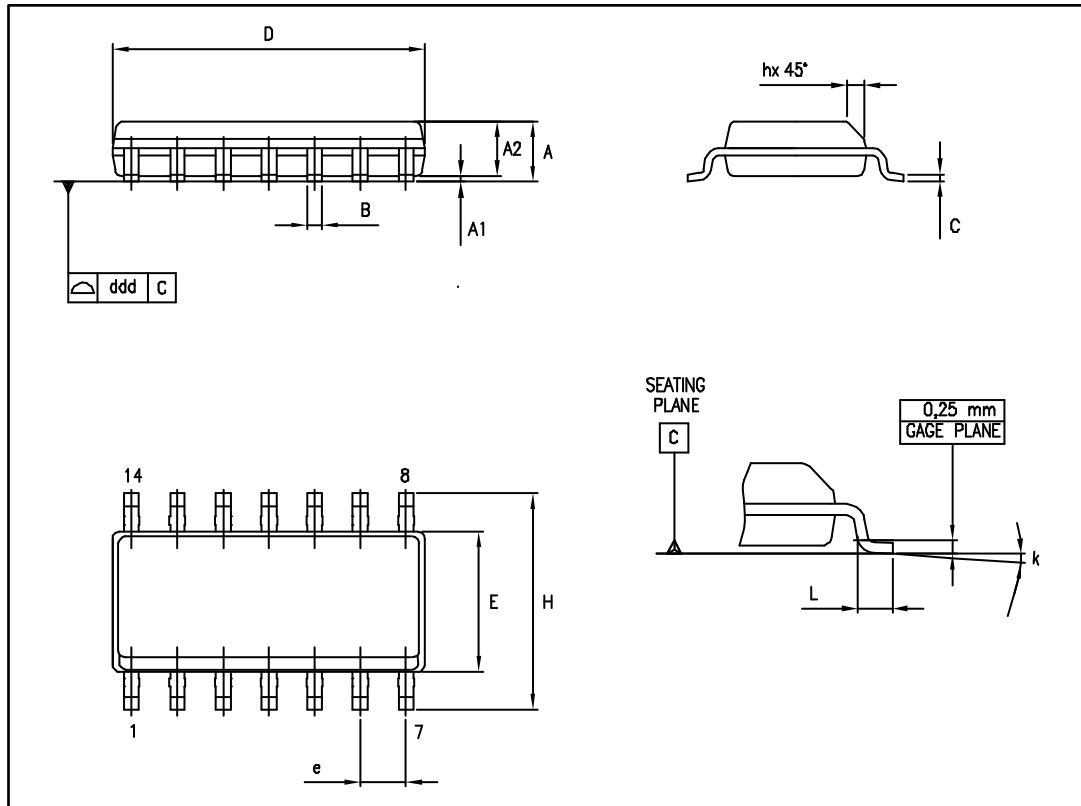


Table 4: SO14 mechanical data

Ref.	Dimensions					
	Millimeters			Inches		
	Min.	Typ.	Max.	Min.	Typ.	Max.
A	1.35		1.75	0.05		0.068
A1	0.10		0.25	0.004		0.009
A2	1.10		1.65	0.04		0.06
B	0.33		0.51	0.01		0.02
C	0.19		0.25	0.007		0.009
D	8.55		8.75	0.33		0.34
E	3.80		4.0	0.15		0.15
e		1.27			0.05	
H	5.80		6.20	0.22		0.24
h	0.25		0.50	0.009		0.02
L	0.40		1.27	0.015		0.05
k	8° (max)					
ddd			0.10			0.004

8.2 TSSOP14 package information

Figure 29: TSSOP14 package outline

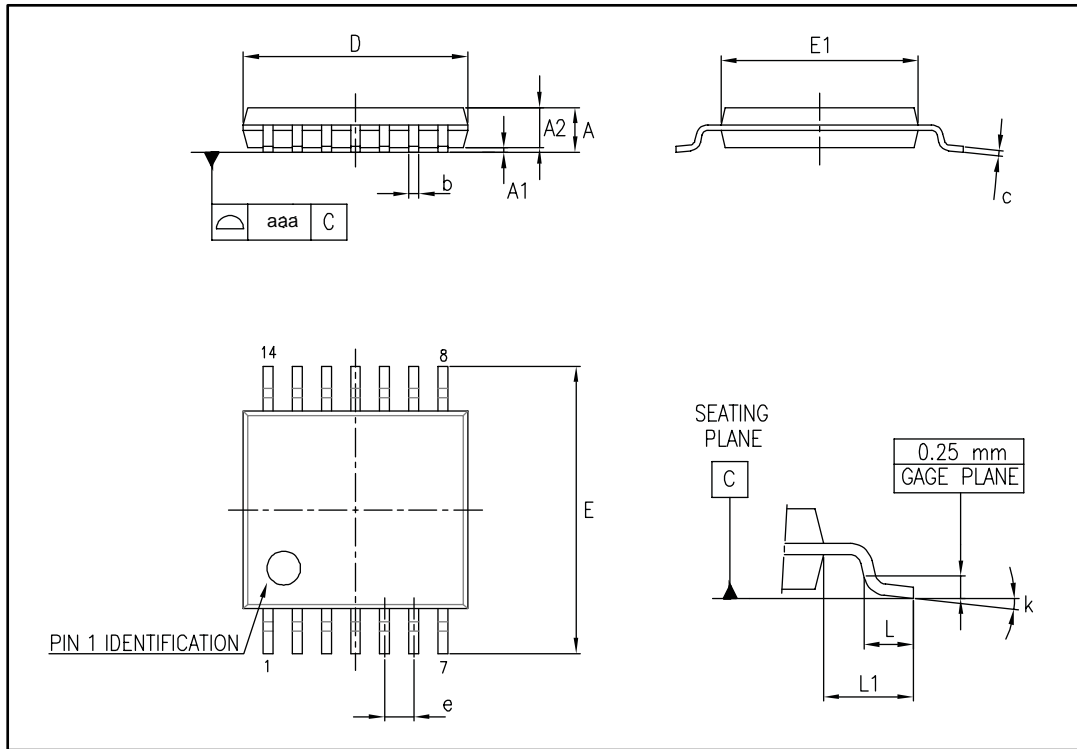


Table 5: TSSOP14 mechanical data

Ref.	Dimensions					
	Millimeters			Inches		
	Min.	Typ.	Max.	Min.	Typ.	Max.
A			1.20			0.047
A1	0.05		0.15	0.002	0.004	0.006
A2	0.80	1.00	1.05	0.031	0.039	0.041
b	0.19		0.30	0.007		0.012
c	0.09		0.20	0.004		0.0089
D	4.90	5.00	5.10	0.193	0.197	0.201
E	6.20	6.40	6.60	0.244	0.252	0.260
E1	4.30	4.40	4.50	0.169	0.173	0.176
e		0.65			0.0256	
L	0.45	0.60	0.75	0.018	0.024	0.030
L1		1.00			0.039	
k	0°		8°	0°		8°
aaa			0.10			0.004

9 Ordering information

Table 6: Order codes

Order code	Temperature range	Package	Packing	Marking
LM2902WDT	-40 °C to 125 °C	SO14	Tape and reel	2902W
LM2902WYDT ⁽¹⁾		SO14		2902WY
LM2902AWYDT ⁽¹⁾		(automotive grade level)		2902AWY
LM2902WPT		TSSOP14		2902W
LM2902WYPT ⁽¹⁾		TSSOP14		2902WY
LM2902AWYPT ⁽¹⁾		(automotive grade level)		2902AWY

Notes:

⁽¹⁾Qualification and characterization according to AEC Q100 and Q003 or equivalent, advanced screening according to AEC Q001 & Q 002 or equivalent.

10 Revision history

Table 7: Document revision history

Date	Revision	Changes
01-Sep-2003	1	Initial release.
01-Nov-2005	2	Table data reformatted for easier use in Electrical characteristics on page 4. Minor grammatical and formatting changes throughout.
01-Jan-2006	3	LM2902WYPT PPAP reference inserted in order codes table, see Section 7 on page 16.
01-May-2006	4	Minimum value of slew rate at 25°C and on full temperature range added in Table 3 on page 5.
20-Jul-2007	5	Corrected document title to "quad operational amplifier". Corrected ESD value for HBM to 800V. Corrected thermal resistance junction to ambient values in Table 1: Absolute maximum ratings. Updated electrical characteristics curves. Added Section 5: Macromodel. Added automotive grade order codes in Section 7 on page 16.
15-Jan-2008	6	Corrected footnotes for automotive grade order codes.
17-Oct-2008	7	Added enhanced Vio version: LM2902AW. Corrected V _{OH} min parameter at V _{cc} =5V in Table 3 on page 5.
16-Feb-2012	8	Modified Chapter 5: Macromodel. Deleted LM2902WYD and LM2902AWYD order codes from Table 7 and modified status of LM2902WYPT and LM2902AWYPT order codes.
22-Jul-2013	9	Table 3: DV _{io} replaced with $\Delta V_{io}/\Delta T$ Table 7: Removed the order codes LM2902WN and LM2902WD; replaced the order codes LM2902WDT and LM2902AWDT with LM2902WYDT and LM2902AWYDT respectively.
19-Feb-2016	10	Updated layout Removed DIP14 package and all information pertaining to it Removed "D, plastic micropackage" and "P, thin shrink small outline package" respectively from the SO14 and TSSOP14 silhouettes. Section 8.1: "SO14 package information" : replaced SO14 package outline and mechanical data Section 8.2: "TSSOP14 package information" : updated E1 max mm value, L1 value, and added "aaa" information. Table 6: "Order codes" : added order code LM2902WDT

IMPORTANT NOTICE – PLEASE READ CAREFULLY

STMicroelectronics NV and its subsidiaries ("ST") reserve the right to make changes, corrections, enhancements, modifications, and improvements to ST products and/or to this document at any time without notice. Purchasers should obtain the latest relevant information on ST products before placing orders. ST products are sold pursuant to ST's terms and conditions of sale in place at the time of order acknowledgement.

Purchasers are solely responsible for the choice, selection, and use of ST products and ST assumes no liability for application assistance or the design of Purchasers' products.

No license, express or implied, to any intellectual property right is granted by ST herein.

Resale of ST products with provisions different from the information set forth herein shall void any warranty granted by ST for such product.

ST and the ST logo are trademarks of ST. All other product or service names are the property of their respective owners.

Information in this document supersedes and replaces information previously supplied in any prior versions of this document.

© 2016 STMicroelectronics – All rights reserved

Looking for pricing, stock, or lifecycle information?

Click below to explore more details on WIN SOURCE:

-  [View LM2902WYPT on WIN SOURCE](#)
-  [STMicroelectronics Information](#)

Optimize Your Supply Chain with WIN SOURCE Solutions

-  Global Sourcing Solution
-  Obsolete Management
-  Cost Control Management
-  Shortage Management
-  Alternative Solution
-  Excess Inventory Management