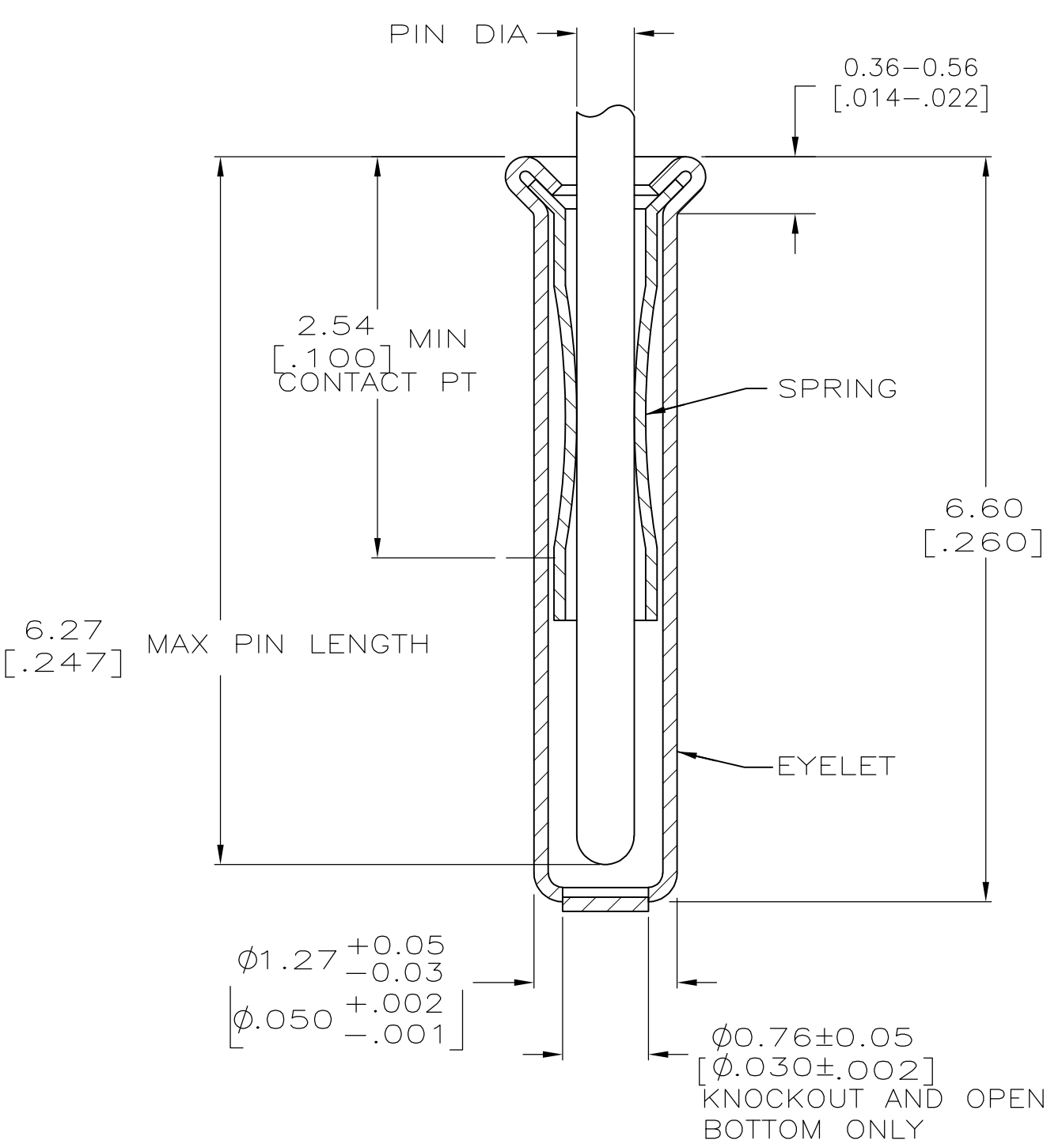
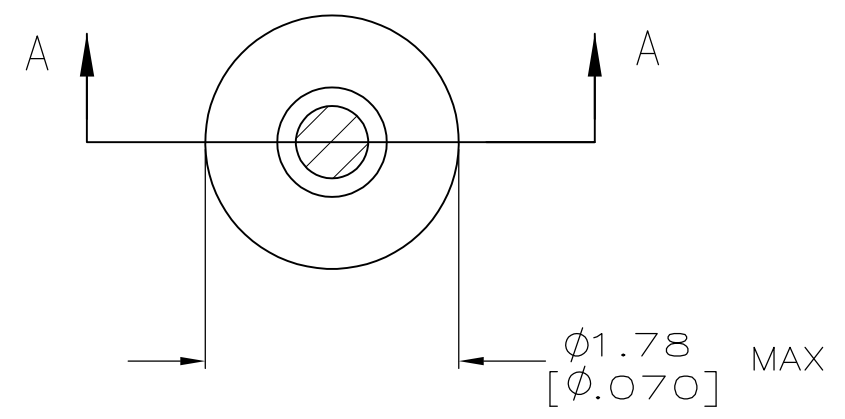




THE DATASHEET OF
50863





SECTION A-A

- 1. TIN PER MIL-T-10727 OR TIN LEAD 0.00254 [.000100] MIN THK.
- 2. GOLD PER MIL-G-45204, TYPE II, 0.00076 [.000030] MIN THK OVER NICKEL PER QQ-N-290 0.00028 [.000011] MIN THK ON CONTACT AREA.
- 3. GOLD FLASH PER MIL-G-45204, TYPE II, 0.13µm [.000005] MIN THK. OVER NICKEL PLATE PER QQ-N-290 0.51µm-1.52µm [.000020-.000060] EXT THK.
- 4. RECOMMENDED HOLE SIZE, PLATED OR UNPLATED:
 MACHINE INSERTION: 1.32 +0.03/-0.05 [.052 +.001/-0.002]
 HAND INSERTION: 1.32 +0.10/-0.00 [.052 +.004/-0.000]
- 5. APPLICATION TOOL PART NUMBER:
 MACHINE NO. 682127-3
 INSERTION HEAD NO. 682039-2
- 6. TO INSURE PROPER SPRING TENSION DO NOT EXCEED A 0.10 [.004] DIFFERENCE IN PIN DIA WHEN CHANGING TO A SMALLER PIN.
- 7. BOTTOM PLUG KNOCKOUT TOOL PART NUMBER 69729 WITH TIP PART NUMBER 69728.
- 8. OBSOLETE PARTS: OBSOLETE CIS STREAMLINING PER D.RENAUD/D.SINISI

8	OBSOLETE	CLOSED	0.36-0.66 [.014-.026]	TIN 1	TIN 1	50863-8
	OBSOLETE	KNOCKOUT		TIN 1	TIN 1	50863-7
	OBSOLETE	OPEN		TIN 1	TIN 1	50863-6
	OBSOLETE	OPEN		GOLD 3	GOLD 2	50863-5
	OBSOLETE	CLOSED		TIN 1	GOLD 2	50863-4
	OBSOLETE	KNOCKOUT		TIN 1	GOLD 2	50863-3
	OBSOLETE	OPEN		GOLD 3	GOLD 2	50863-1
	OBSOLETE	OPEN		GOLD 3	GOLD 2	50863
BOTTOM TYPE		RECOMMENDED PIN DIA 6	EYELET	SPRING	PART NO	

THIS DRAWING IS A CONTROLLED DOCUMENT.

DWN	R. TALLEY	4-8-91
CHK	S. ROBERTSON	8-22-91
APVD	R. MILLER	8-5-91

STE TE Connectivity


MINIATURE SPRING SOCKET ASSEMBLY SERIES 2

SIZE	A2	CAGE CODE	00779	DRAWING NO	G-50863	RESTRICTED TO	-
SCALE	20:1	SHEET	1 of 1	REV	Z4		

CUSTOMER DRAWING

Looking for pricing, stock, or lifecycle information?

Click below to explore more details on WIN SOURCE:

 [View 50863](#) on WIN SOURCE

 [TE Connectivity](#) Information

Optimize Your Supply Chain with WIN SOURCE Solutions

-  Global Sourcing Solution
-  Obsolete Management
-  Cost Control Management
-  Shortage Management
-  Alternative Solution
-  Excess Inventory Management