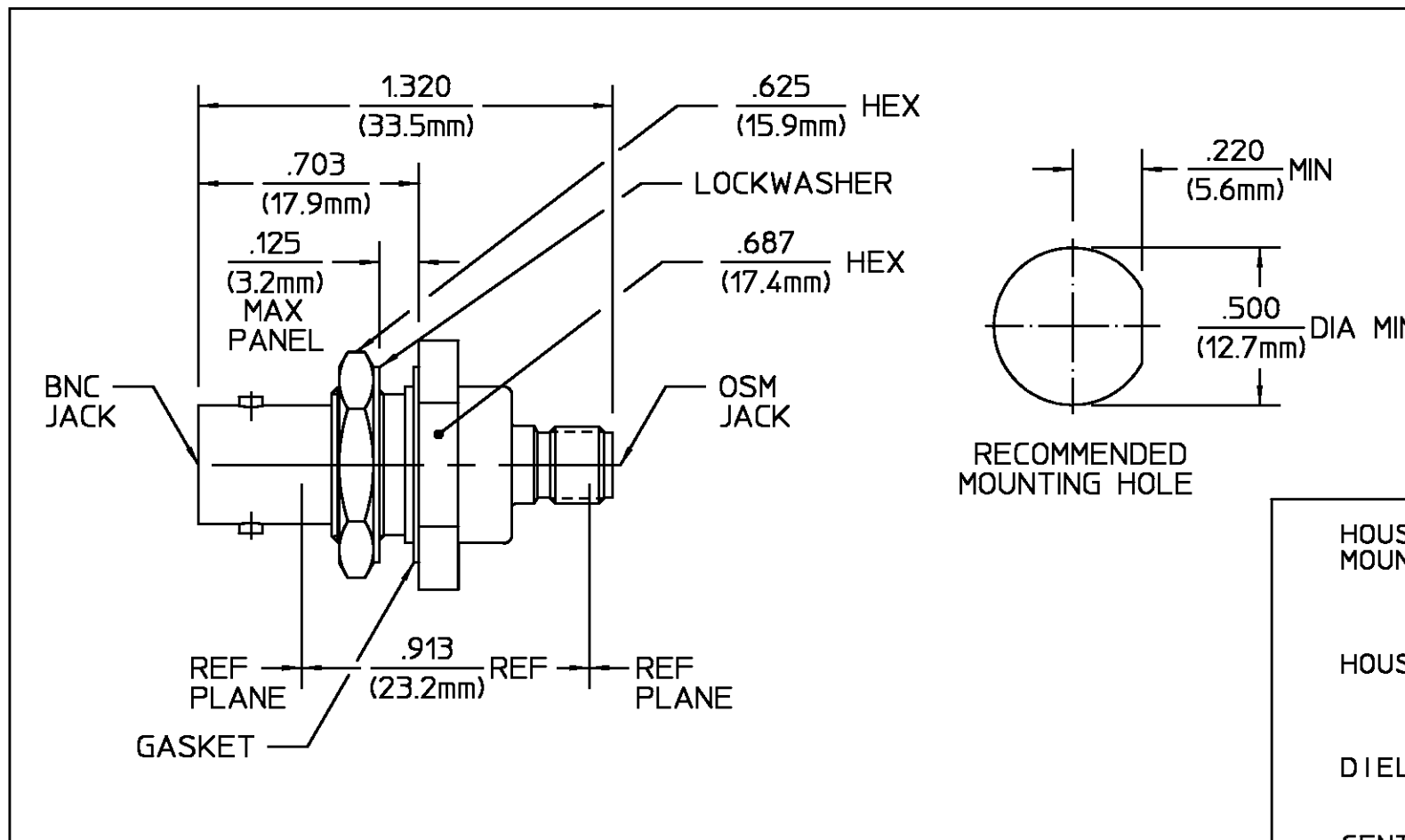




THE DATASHEET OF
1058117-1





REVISIONS			
REV	DESCRIPTION	DATE	APPROVED
A1	REVISED PER ECO-11-005294	13APR11	HMR

COMPONENT	MATERIAL	FINISH
HOUSING MOUNTING NUT	BRASS PER QQ-B-626 COMP. 360, HALF HARD	NICKEL PLATE PER QQ-N-290 OVER COPPER PLATE PER MIL-C-14550
HOUSING	STAINLESS STEEL PER ASTM-A484 AND ASTM-A582, TYPE 303	PASSIVATE PER ASTM-A380
DIELECTRIC	TFE FLUOROCARBON PER ASTM-D-1457	N/A
CENTER CONTACT	BERYLLIUM COPPER PER ASTM B 196, ALLOY C17300, CONDITION H	GOLD PLATE PER MIL-G-45204 OVER COPPER PLATE PER MIL-C-14550
LOCKWASHER	PHOSPHOR BRONZE PER QQ-B-750, GRADE B2	NICKEL PLATE PER QQ-N-290 OVER COPPER PLATE PER MIL-C-14550
GASKET	SILICONE RUBBER PER ZZ-R-765	N/A

ELECTRICAL	MECHANICAL	ENVIRONMENTAL
Nominal Impedance (Ohms) <u>50</u>	Interface Dimensions	Temperature Rating <u>-65°C to +125°C</u>
Frequency Range (GHz) DC to <u>4</u>	BNC <u>MIL-STD-348A Fig. 301.2</u>	Vibration <u>MIL-STD-202, Method 204, Condition D</u>
Volt Rating (VRMS MAX) <u>Sea Level 335</u>	OSM <u>MIL-STD-348A Fig. 310.2</u>	Shock <u>MIL-STD-202, Method 213, Condition I</u>
VSWR <u>1.30 Max at 0.5 to 4.0 GHz</u>	Recommended Mating Torque <u>4-6 In-Lbs</u>	Thermal Shock <u>MIL-STD-202, Method 107, Condition C, Except High Temp</u>
Insertion Loss (dB MAX) <u>0.2√f(GHz)</u>	Mating Characteristics:	Moisture Resistance <u>MIL-STD-202, Method 106 Shall Be Omitted</u>
RF Leakage (dB MIN) <u>-55, 2 to 3 GHz</u>		Corrosion - <u>MIL-STD-202, Method 101, Condition B, 5% salt spray</u>
Corona, 70,000 Ft (VRMS MIN) <u>250</u>	Insertion (Lbs Max) <u>2.0 3.0</u>	
Dielectric Withstanding Voltage (VRMS MIN) <u>Sea Level 1500</u>	Withdrawal (Oz Min) <u>2.0 1.0</u>	
Contact Resistance (Milliohms MAX)	Force to Engage/Disengage	
Center Contact <u>4.1</u>	Longitudinal	
Outer Contact <u>2.2</u>	Force (Lb Max) <u>3.0 N/A</u>	
RF High Potential <u>Sea Level (VRMS MIN @ 5 MHz) 670</u>	Torque (In-Lb Max) <u>2.5 2.0</u>	
I.R.(Megohms MIN) <u>5000</u>	Contact Retention	
	Axial (Lbs) <u>6.0</u>	
	Radial (In-Oz) <u>4.0</u>	
	Weight (Grams) _____	

UNLESS OTHERWISE SPECIFIED DIMENSIONS ARE IN INCHES TOLERANCE ON	DATE		
	FRAC. DEC. ANGLES		
± 1/64 ±.005 ± °	DRAWN BY	TITLE	
	AUGUST TARDIFF	BNC JACK TO OSM JACK BULKHEAD FEEDTHROUGH ADAPTER	
	6/6/90	SIZE	REV
	B. CLEVELAND	B	A1
	8/3/90	CODE IDENT NO.	1058117-1
		SCALE	SHEET 1 OF 1
		2:1	

Looking for pricing, stock, or lifecycle information?

Click below to explore more details on WIN SOURCE:

 [View 1058117-1](#) on WIN SOURCE

 [TE Connectivity](#) Information

Optimize Your Supply Chain with WIN SOURCE Solutions

-  Global Sourcing Solution
-  Obsolete Management
-  Cost Control Management
-  Shortage Management
-  Alternative Solution
-  Excess Inventory Management