



**THE DATASHEET OF
SA-1746**



PART
NAME

MONITOR SHELF WITH FOLD-UP KEYBOARD

PART
NO.

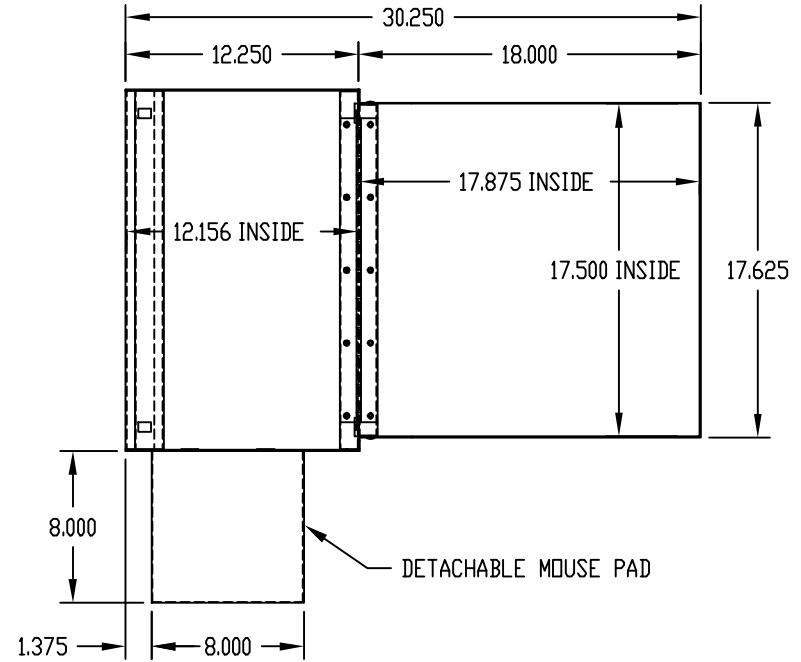
SA-1746

MATERIAL:

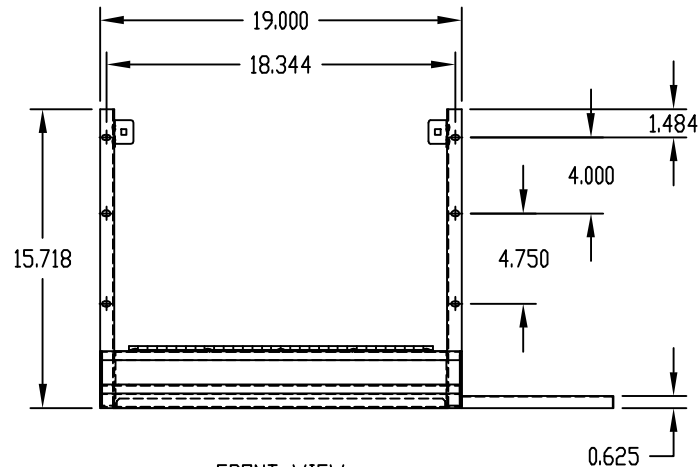
- STRIKE BRACKET _____ 18 GA. STEEL
- KEYBOARD SHELF & MOUSE PAD _____ 18 GA. STEEL
- MONITOR SHELF _____ 16 GA. STEEL
- HINGE _____ 16 GA. STEEL W/0.120 DIA. PIN

FINISH:

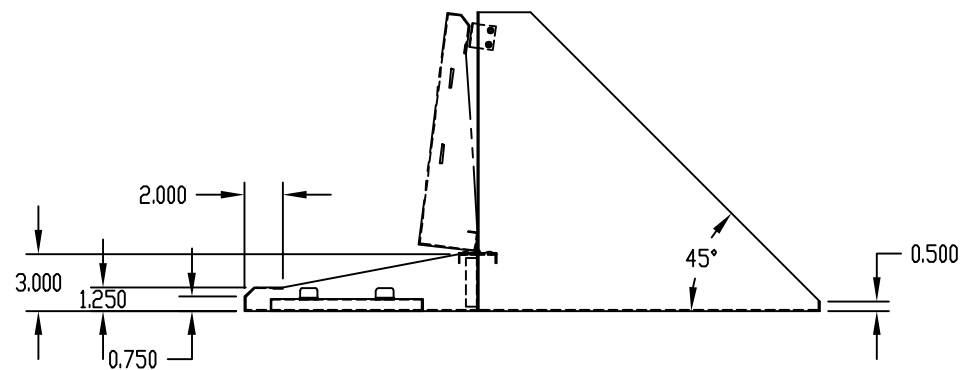
- MONITOR SHELF, KEYBOARD SHELF,
STRIKE BRACKET & MOUSE PAD _____ BLACK TEXTURE
- HINGE _____ SMOOTH BLACK



TOP VIEW



FRONT VIEW



RIGHT SIDE VIEW

Looking for pricing, stock, or lifecycle information?

Click below to explore more details on WIN SOURCE:

 [View SA-1746 on WIN SOURCE](#)

 [Bud Industries](#) Information

Optimize Your Supply Chain with WIN SOURCE Solutions

-  Global Sourcing Solution
-  Obsolete Management
-  Cost Control Management
-  Shortage Management
-  Alternative Solution
-  Excess Inventory Management