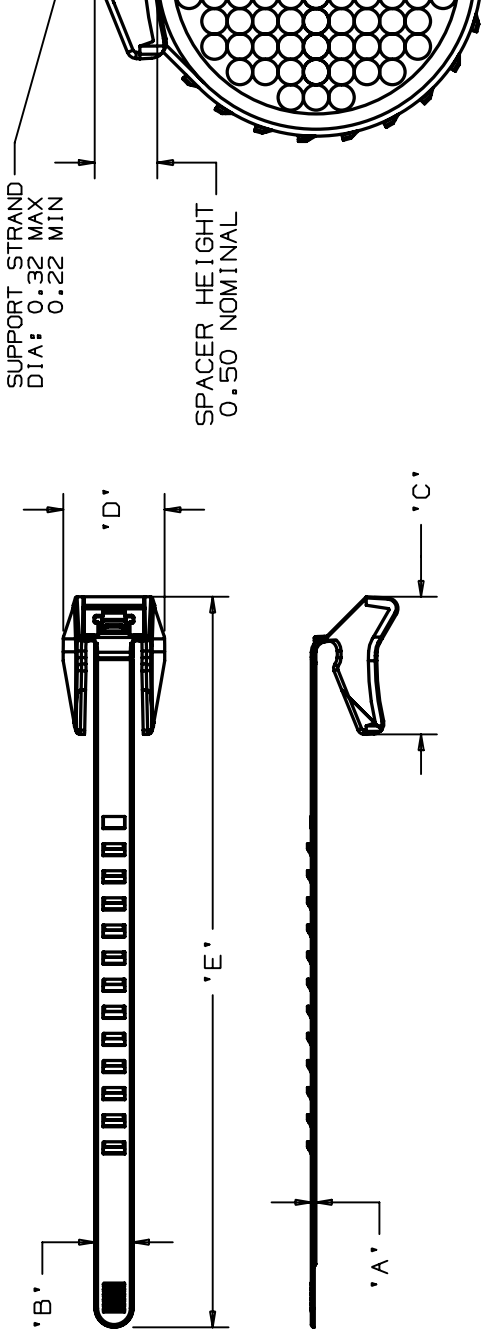




**THE DATASHEET OF
AST15-5-C100**



THIS COPY IS PROVIDED ON A RESTRICTED BASIS AND IS NOT TO BE USED IN ANY WAY DETRIMENTAL TO THE INTERESTS OF



3/

PANDUIT PART NO.	BUNDLE DIA		'A'	'B'	'C'	'D'	'E'	MINIMUM LOOP TENSILE lbs/(N)	WEIGHT lbs (g)/100 pcs
	MIN	MAX							
AST10-5	0.25 (6.4)	1.0 (25.4)					5.6 (142)	75 (334)	1.3 (590)
AST15-5	0.25 (6.4)	1.5 (38.1)	0.055 (1.4)	0.448 (11.4)	1.59 (40.4)	1.16 (29.5)	6.9 (175)		1.4 (636)
AST20-5	0.25 (6.4)	2.0 (50.8)					8.4 (214)		1.5 (681)
AST25-5	0.25 (6.4)	2.5 (63.5)	0.07 (1.8)				10.0 (254)		1.6 (726)

NOTES:
1. SEE CURRENT PRICE SHEET FOR PART NUMBER SUFFIX DESIGNATION FOR PACKAGE SIZE.

DIMENSIONS IN BRACKETS
CAD FILENAME/LAYERS G002396Y_DC

PANDUIT CORP.

AST-
AERIAL SUPP

UNLESS OTHERWISE SPECIFIED,
DIMENSIONAL TOLERANCES ARE:
(.XX) ±0.05 (1.3) (.XXX) ±0.010 (0.25)
(.XX) ±0.02 (0.5) ANGLES ± 5°

DRAWN BY CGSM
DATE 1-22-01
CHK'D

MAT'L: WEATHER RESISTANT POLYPROPYLENE BLACK

REV	DATE	BY	CHK	DESCRIPTION	ECN	R	CUST	SUP
3	8-4-05	TMSA		ADDED DIMENSION "A" FOR AST25-5 THICKER STRAP MODIFICATION	6802396Y	3		
2	11/29/04	JAD		CHANGED DIMS ON 'D' WAS 1.16(29.6) NOW 1.16 (29.5)	6802396Y	2		
1	2/15/02	LGG		CHANGED DIMS ON 'D' WAS 1.165(29.6) NOW 1.16 (29.6)	6802396Y	1		
R	1-22-01	CGSM		INITIAL RELEASE	6802396Y	R		

Looking for pricing, stock, or lifecycle information?

Click below to explore more details on WIN SOURCE:

 [View AST15-5-C100 on WIN SOURCE](#)

 [Panduit Corp Information](#)

Optimize Your Supply Chain with WIN SOURCE Solutions

-  Global Sourcing Solution
-  Obsolete Management
-  Cost Control Management
-  Shortage Management
-  Alternative Solution
-  Excess Inventory Management