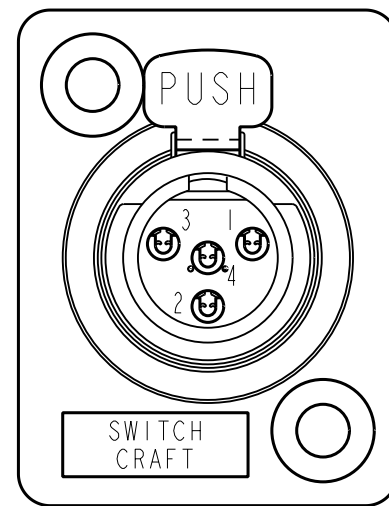
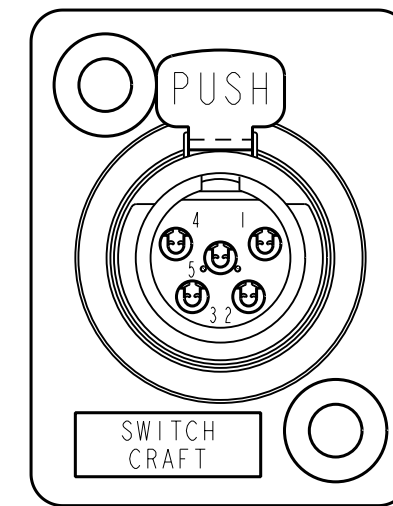


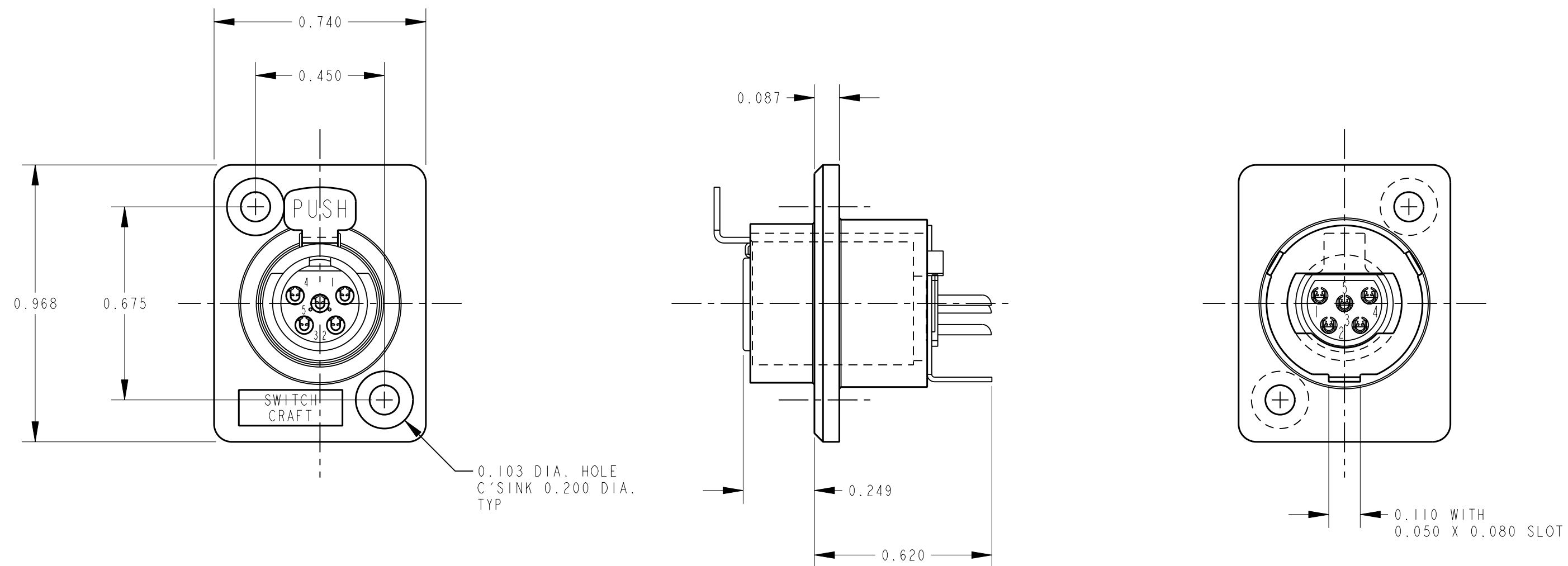
3 PIN



4 PIN



5 PIN



MATERIALS:

- LOCK RING - BRASS, ELECTRO TIN PLATED
- PANEL HOUSING - ZINC, NICKEL PLATED
- INSULATORS - PPS
- HOUSING - BRASS, NICKEL PLATED
- LATCH - BERYLLIUM COPPER, NICKEL PLATED
- RELEASE LEVER - STEEL, NICKEL PLATED
- LEVER SPRING - STEEL, COPPER PLATED
- CONTACTS - BERYLLIUM COPPER, SILVER PLATED

NOTE:

1. ALL DIMENSIONS FOR REFERENCE PURPOSES ONLY UNLESS OTHERWISE SPECIFIED.

CUSTOMER DRAWING

CAD/CAM DWG. NO.
TY_F_CD
SHEET 1 OF 1

				★ STAR SYMBOL DENOTES CRITICAL DIMENSION. SEE S/C ENGINEERING STANDARD ES-0001		THIS DRAWING DESCRIBES A DESIGN CONSIDERED PROPRIETARY IN NATURE, DEVELOPED AND MANUFACTURED BY SWITCHCRAFT INC. AND IS RELEASED ON A CONFIDENTIAL BASIS FOR IDENTIFICATION PURPOSE ONLY.				
				UNLESS OTHERWISE SPECIFIED		SIZE	WIDTH	MULT	LBS./M	TEMPER
E	ECO #20090	7-3-97	OM	JJ	1. ALL DIMENSIONS IN INCHES TWO PLACE DECIMAL ±.01 THREE PLACE DECIMAL ±.005 FRACTIONAL DIMENSIONS ±1/64 ANGLES ±1/2° ALL DIA'S CONCENTRIC WITHIN .005 T.I.R.	FINISH		MATERIAL		
D	ECO #20089	7-3-97	OM	JJ	2. REMOVE ALL BURRS	SPEC. NO.		SPEC. NO.		
C	ECO #20088	7-3-97	OM	JJ	3. MAKE NO DIMENSIONAL ALLOWANCES FOR APPLIED FINISHES, I.E., PLATING, PAINTING, ETC.	FIRST USED ON		SCALE 1 = 0.375		
B	ECO #19805	7-14-95	RC	GHJ	4. HOLES ON THE SAME CENTERLINE MUST BE ALIGNED WITHIN ±.002	DATE DRAWN	BY	CHK'D	APP'D	
A	FIRST DRAWN ECO #18467	3-30-95	SG	GHJ		3-30-95	SG	SG 5-1-95	GHJ 5-1-95	
ISSUE				CHANGE NO.	DATE	BY	APP'D	NAME		
								TINI QG SERIES		
								PART NO. TY*F		
								ISSUE E		
								ROUTING		



Looking for pricing, stock, or lifecycle information?

Click below to explore more details on WIN SOURCE:

 [View TY4F on WIN SOURCE](#)

 [Switchcraft Inc. Information](#)

Optimize Your Supply Chain with WIN SOURCE Solutions

-  Global Sourcing Solution
-  Obsolete Management
-  Cost Control Management
-  Shortage Management
-  Alternative Solution
-  Excess Inventory Management