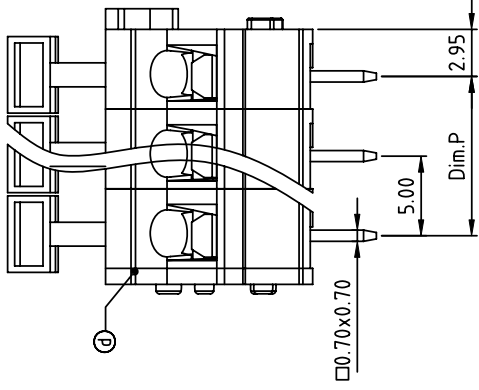
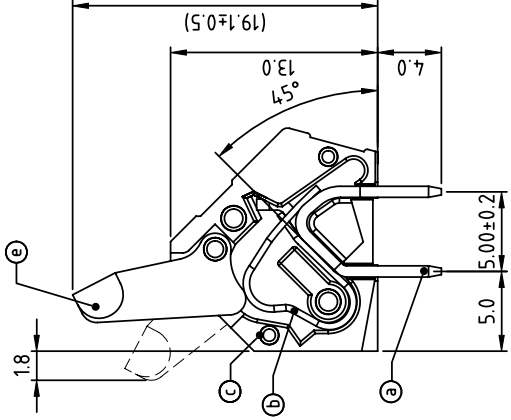
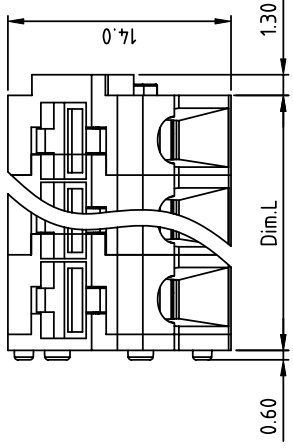




**THE DATASHEET OF
HT1500800000G**



PRODUCT NUMBER	PITCH
HTxx00x000J0G	5.00mm



(15.8)

- Mat
- lfe
- lfe
- lfe
- lfe
- lfe
- Elec
- Vo
- Cur
- Wir
- Sol
- Str
- Wir
- Wit
- Op
- Sol
- Sa

Dimension

Dim.P=(N-1)×5.0

Dim.L=N×5.0+1.0

N=Number of poles

POLES	Dim.L	Dim.P
1p	±0.10	/
2p-6p	±0.20	±0.15
7p-12p	±0.25	±0.20
12p-18p	±0.30	±0.25
19p-24p	±0.40	±0.35

PART NO.: HT xx 00 x 000J0 G

- No. of poles 0 Black (RAL9005)
 - End Stackable 2 Red (RAL3001/D)
 - 01 1 poles 3 Orange(RAL2011/P)
 - 02 2 poles 4 Yellow(RAL1018/A)
 - ... 5 Green(RAL6018/T)
 - 24 24 poles 6 Blue (RAL5015/A)
 - 8 Grey(RAL7004/P)
 - 9 White(RAL1102)
 - C Multiple colors
- Body Color
- RoHS compliant (lead<4%) in copper Alloy

mat'l. code		surface	tr
itr	ecn no	dr	date
		ASME Y14.5	A
		tolerances unless oth	
		angles	>
		X	X
		X±1°	X
		dr	EVIN ZHON
		engr	EVIN ZHON
		chr	HANKE FEI
		appd	SHI JUN
sheet	revision	A	
index	sheet	1	

form: A4mmXLc



1

2

PDS: Rev

Looking for pricing, stock, or lifecycle information?

Click below to explore more details on WIN SOURCE:

-  [View HT1500800000G on WIN SOURCE](#)
-  [Amphenol Anytek Information](#)

Optimize Your Supply Chain with WIN SOURCE Solutions

-  Global Sourcing Solution
-  Obsolete Management
-  Cost Control Management
-  Shortage Management
-  Alternative Solution
-  Excess Inventory Management