



THE DATASHEET OF
353908-8



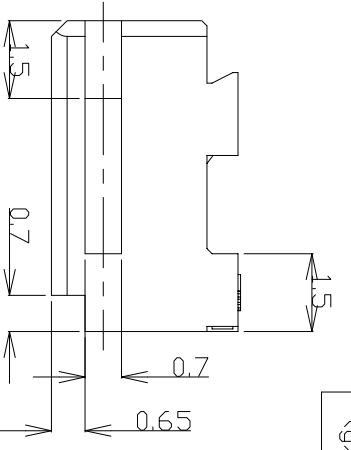
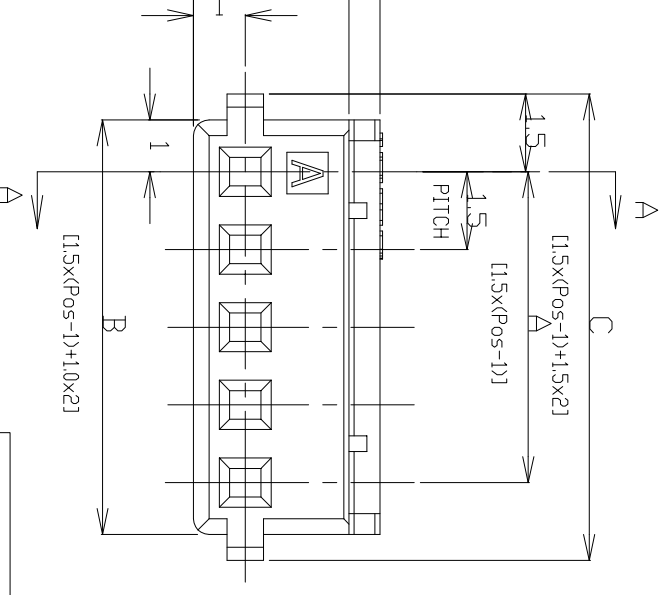
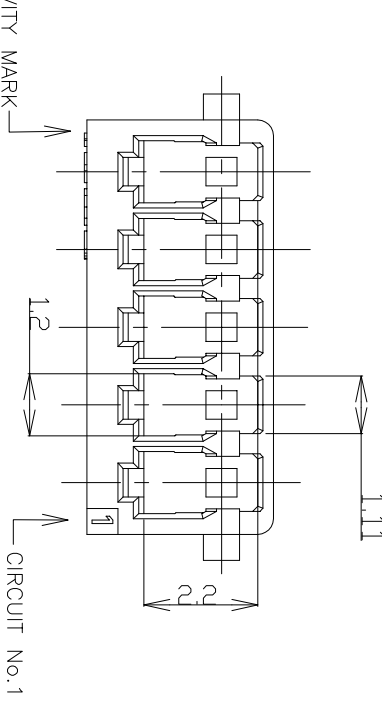
3

2

1

REVISED: _____
 DWG NO: _____
 DATE: _____
 DRAWN BY: _____
 CHECKED BY: _____
 APPROVED BY: _____

REV	DESCRIPTION	DATE	DWG	APPD
D	REVISED ECR-16-005069	07APR2016	T.Q	W.H



WEIGHT (g)	DIMENSIONS			Pos	P/N	
	C	B	A			
0.30	31.5	30.5	28.5	20	8-353908-0	2-353908-0
0.29	30.0	29.0	27.0	19	7-353908-9	1-353908-9
0.27	28.5	27.5	25.5	18	7-353908-8	1-353908-8
0.26	27.0	26.0	24.0	17	7-353908-7	1-353908-7
0.24	25.5	24.5	22.5	16	7-353908-6	1-353908-6
0.23	24.0	23.0	21.0	15	7-353908-5	1-353908-5
0.21	22.5	21.5	19.5	14	7-353908-4	1-353908-4
0.20	21.0	20.0	18.0	13	7-353908-3	1-353908-3
0.19	19.5	18.5	16.5	12	7-353908-2	1-353908-2
0.17	18.0	17.0	15.0	11	7-353908-1	1-353908-1
0.16	16.5	15.5	13.5	10	7-353908-0	1-353908-0
0.14	15.0	14.0	12.0	9	6-353908-9	353908-9
0.13	13.5	12.5	10.5	8	6-353908-8	353908-8
0.13	12.0	11.0	9.0	7	6-353908-7	353908-7
0.10	10.5	9.5	7.5	6	6-353908-6	353908-6
0.09	9.0	8.0	6.0	5	6-353908-5	353908-5
0.07	7.5	6.5	4.5	4	6-353908-4	353908-4
0.06	6.0	5.0	3.0	3	6-353908-3	353908-3
0.04	4.5	3.5	1.5	2	6-353908-2	353908-2

WIRE RANGE

INSULATION DIA

THIS DRAWING IS A CONTROLLED DOCUMENT.



TE Connectivity

0.05mm²

GENERAL TOLERANCE	
30 ≥ >	10: ±0.25
100 ≥ >	30: ±0.3
ANGLES: ±3°	

DIMENSIONS:		TOLERANCES UNLESS OTHERWISE SPECIFIED:	
mm			
0	PLC	±	-
1	PLC	±	-
2	PLC	±	-
3	PLC	±	-
4	PLC	±	-
ANGLES		±	-

MATERIAL		FINISH	
66NYLON	UL94 V-0		

DWG		DATE		NAME	
H.HOSHINO	26.APR.97				
J.TANIGAWA	26.APR.97				
S.KUBONOH	10.MAR.99				

PRODUCT SPEC		APPLICATION SPEC		WEIGHT	
108-60025		114-5245			

CUSTOMER DRAWING		SCALE		SHEET		REV	
A3		NON		1		OF 2	
A3		NON		1		OF 2	

RESTRICTED TO

AMP MINI COMMON TERMINATED (CT) CONNECTOR 1.5mm PITCH HOUSING, CRIMP TYPE

Looking for pricing, stock, or lifecycle information?

Click below to explore more details on WIN SOURCE:

[View 353908-8 on WIN SOURCE](#)

[TE Connectivity Information](#)

Optimize Your Supply Chain with WIN SOURCE Solutions

- ✓ Global Sourcing Solution
- ✓ Obsolete Management
- ✓ Cost Control Management
- ✓ Shortage Management
- ✓ Alternative Solution
- ✓ Excess Inventory Management