

Stacked Coin Type

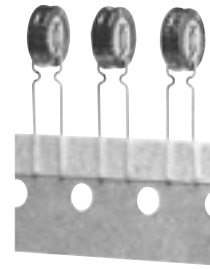
Series: **SE**

■ Features

- Endurance : 70 °C 1000 h
- Automatic insertion available
- RoHS directive compliant

■ Recommended Applications

- Memory back-up for video and audio equipment, cameras, telephones, printers, data terminals, rice cookers and intelligent remote controls.

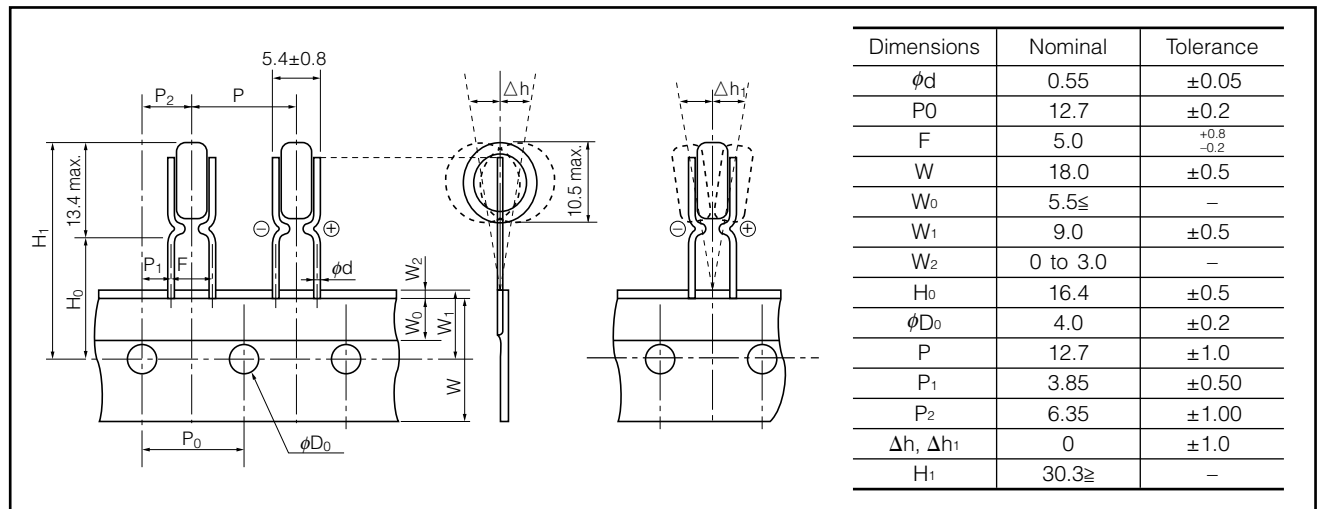


■ Specifications

Category Temp. Range	-25 °C to +70 °C	
Maximum Operating Voltage	5.5 V.DC	
Nominal Cap.Range	0.22 F	
Characteristics at Low Temperature	Capacitance change	±30 % of initial measured value at +20 °C (at -25 °C)
	Internal resistance	≤5 times of initial measured value at +20 °C (at -25 °C)
Endurance	After 1000 hours application of 5.5 V. DC at +70 °C, the capacitor shall meet the following limits.	
	Capacitance change	±30 % of initial measured value
	Internal resistance	≤4 times of initial specified value
Shelf Life	After 1000 hours storage at +70 °C without load, the capacitor shall meet the specified limits for Endurance.	

■ Dimensions in mm(not to scale)

(Unit : mm)



■ Standard Products

* : Shaded part numbers have been discontinued since September 30, 2014 and we recommend alternate products for new design. Please consider 0.22 F.

Maximum Operating Voltage (V.DC)	Capacitance (F)	Capacitance tolerance (F)	Internal resistance (Initial specified value) (Ω) at 1kHz	Recommended discharge current (μA)	Part number	Mass (Reference value) (g)	Min. Packaging Q'ty (pcs)
5.5	* 0.022	0.0176 to 0.0396	≤ 150	200 or less	EECSE0H223	-	1000
	* 0.047	0.0376 to 0.0846	≤ 120	200 or less	EECSE0H473	-	1000
	* 0.10	0.080 to 0.180	≤ 75	300 or less	EECSE0H104	-	1000
	0.22	0.176 to 0.396	≤ 75	300 or less	EECSE0H224	1.0	1000

Note: 1. When ordering please observe the minimum packaging quantity.

2. When the surface mount component goes through UV or a heat oven to affix the adhesive glue, the capacitor's surface temperature should not exceed 100 °C for more than 60 seconds (maximum temperature should not exceed 105 °C)

3. Do not use reflow soldering. (IR, Atmosphere heating methods, etc.)

Please refer to the page of "Application Guidelines".

Looking for pricing, stock, or lifecycle information?

Click below to explore more details on WIN SOURCE:

- ⊖ [View EEC-SE0H104](#) on WIN SOURCE
- ⊖ [Panasonic](#) Information

Optimize Your Supply Chain with WIN SOURCE Solutions

- ✓ Global Sourcing Solution
- ✓ Obsolete Management
- ✓ Cost Control Management
- ✓ Shortage Management
- ✓ Alternative Solution
- ✓ Excess Inventory Management