



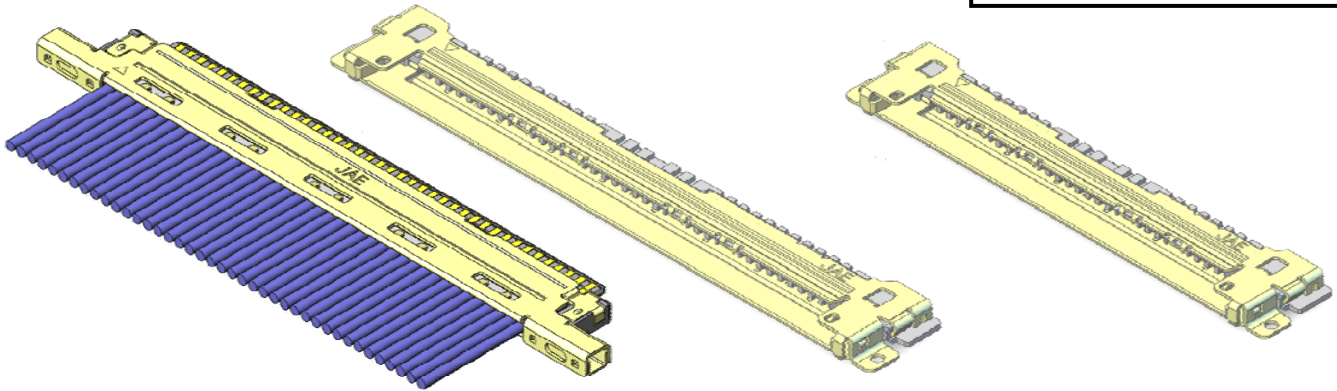
Board-to-Cable Connector for High-speed Transmission CONNECTOR

HD Series Connector

MB-0247-1

June 2012

RoHS Compliant



40 position

30 position

JAE has recently developed the HD Series of connectors (HD1: 40 pos. HD2: 30 pos.) for notebook PC LCD interface applications. The HD Series connectors are compatible with LVDS transmission and LED backlight as standardized in the VESA® 16:9 Wide Notebook Panel Standard, and are licensed products for the Dai-ichi Seiko Co., Ltd. (I-PEX) CABLINE®-VS.

Features

- Products licensed by Dai-ichi Seiko Co., Ltd. (I-PEX)
- Fully compatible with the Dai-ichi Seiko., Ltd. (I-PEX) CABLINE®-VS
- Compatible with LVDS transmission
- HD1: 40 position (receptacle and plug); HD2: 30 position (receptacle)
- Pb-free
- Halogen-free

Note: CABLINE-VS is a registered trademark of Dai-ichi Seiko Co., Ltd. (I-PEX)

LICENSED BY DAI-ICHI SEIKO CO., LTD. (I-PEX)

General Specifications

■Number of Contacts:

40 (HD1), 30 (HD2)

■Applicable Cable:

AWG#32 to 36 (Discrete cable)

AWG#36 to 44 (Micro-coaxial cable)

■Rated Current:

1.0A per contact AC/DC [AWG#32]

1.0A per contact AC/DC [AWG#34]

0.8A per contact AC/DC [AWG#36]

0.3A per contact AC/DC [AWG#40]

0.24A per contact AC/DC [AWG#42]

0.1A per contact AC/DC [AWG#44]

■Rated Voltage:

AC, DC each 100V per contact

■Operating temperature:

-40 Deg. C to 85 Deg. C

■Pitch: 0.5mm

■Dielectric Withstanding Voltage:

AC250V r.m.s. per minute

■Contact Resistance*:

AWG#32: 140m Ω max.

AWG#34: 180m Ω max.

AWG#36: 275m Ω max.

AWG#40: 600m Ω max.

AWG#42: 700m Ω max.

AWG#44: 1080m Ω max.

■Insulation Resistance: 1000M Ω min.

*Values include the following conductor resistance of 100mm cable.

AWG#32: 60m Ω max.

AWG#34: 100m Ω max.

AWG#36: 160 to 195m Ω max.

AWG#40: 485 to 520m Ω max.

AWG#42: 585 to 620m Ω max.

AWG#44: 1000m Ω max.

Materials / Finishes

Board Side Receptacle Connector HD1S040HA1, HD2S030HA1

Component	Material / Finish
Contact	Copper alloy / Au plating over Ni (contact area)
Insulator	Heat resistance plastic / No finish
Shell	Copper alloy / Au plating over Ni

Plug Connector HD1P040MA1

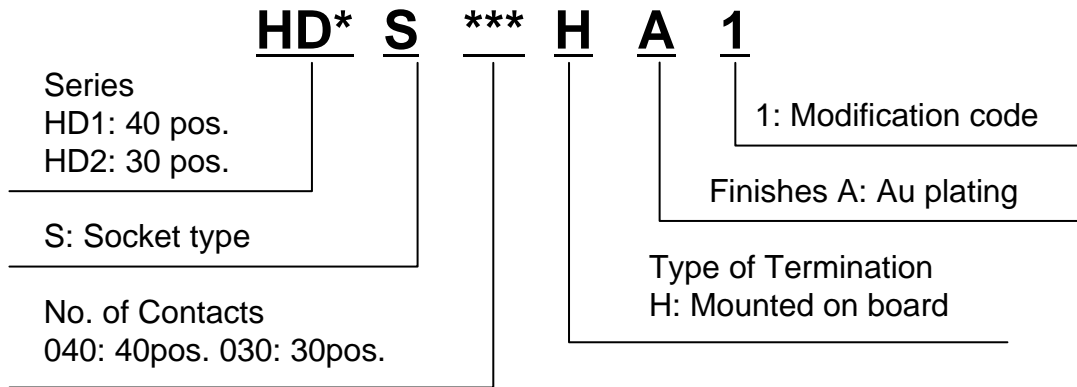
Component	Material / Finish
Contact	Copper alloy / Au plating over Ni
Insulator	Heat resistance plastic / No finish
Base shell	Copper alloy / Au plating over Ni

Cover Shell for Plug HD1P040-CSH2-10000

Component	Material / Finish
Cover shell	Copper alloy / Au plating over Ni

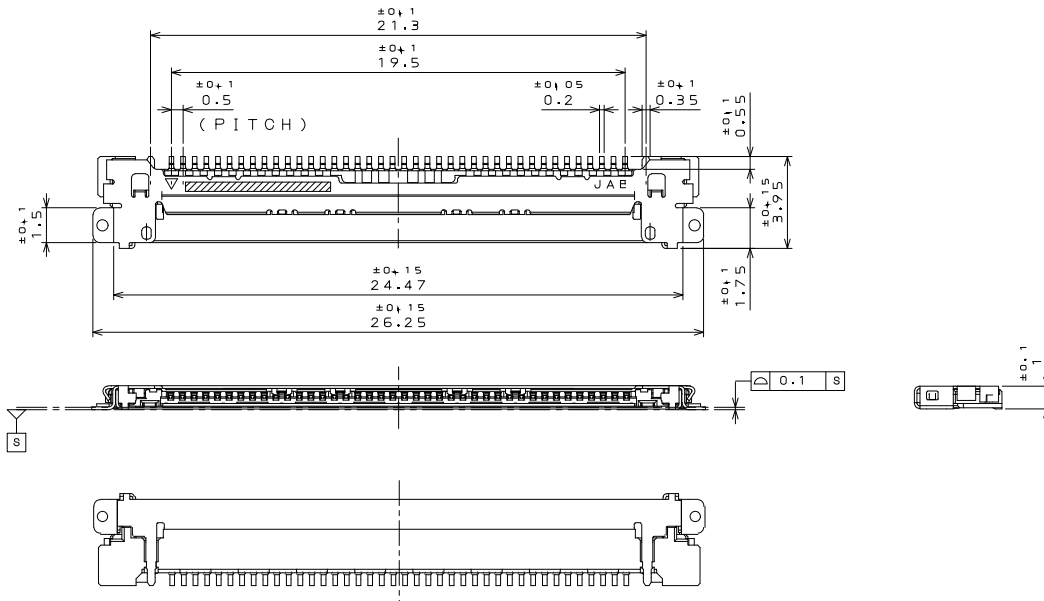
Ordering Information

Board Side Receptacle Connector (SJ110381, SJ110547)

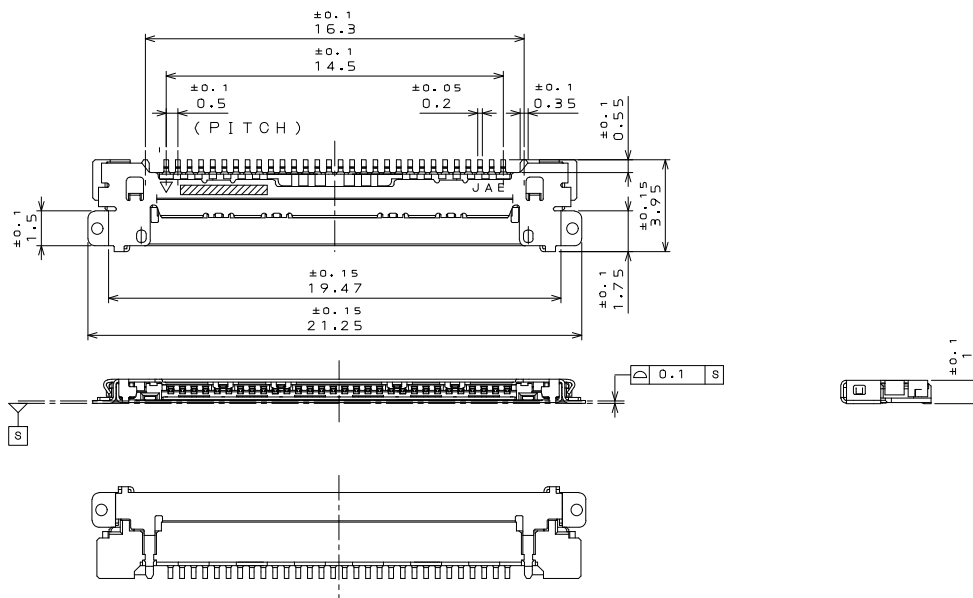


HD1S040HA1 (SJ110381)

Unit: mm



HD2S030HA1 (SJ110547)



Ordering Information

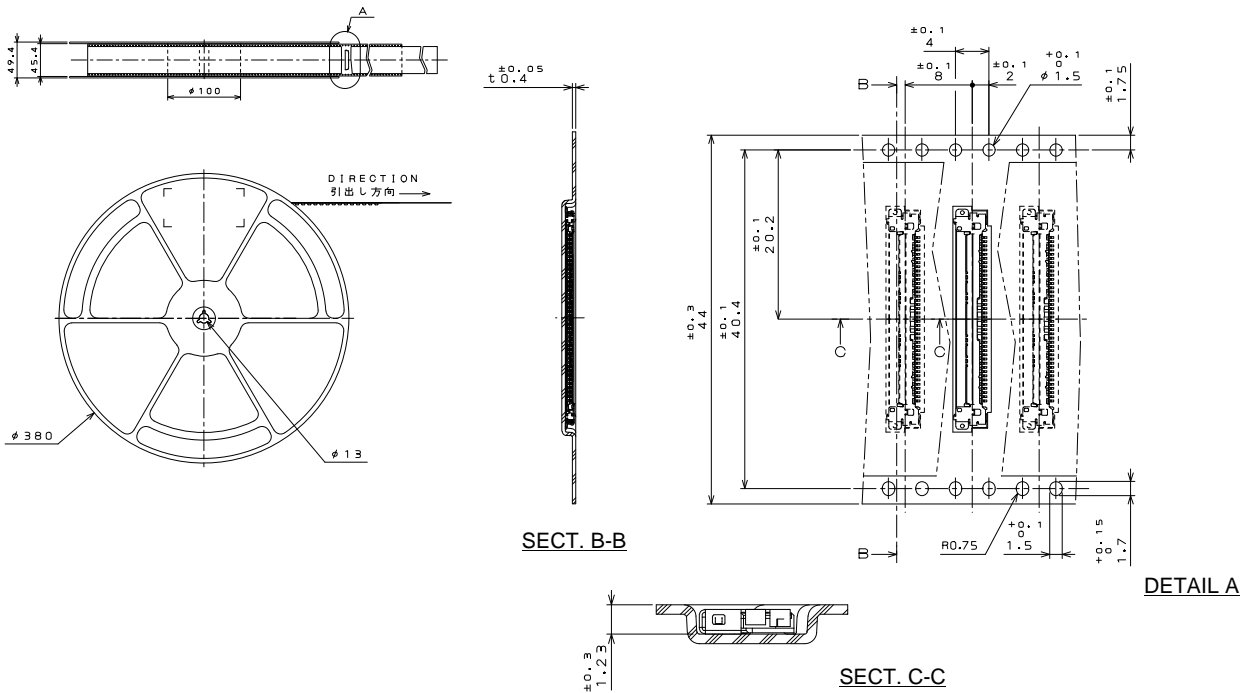
Board Side Connector (Embossed packaging)
(SJ110382, SJ110548)

HD* S * H A 1 R6000**

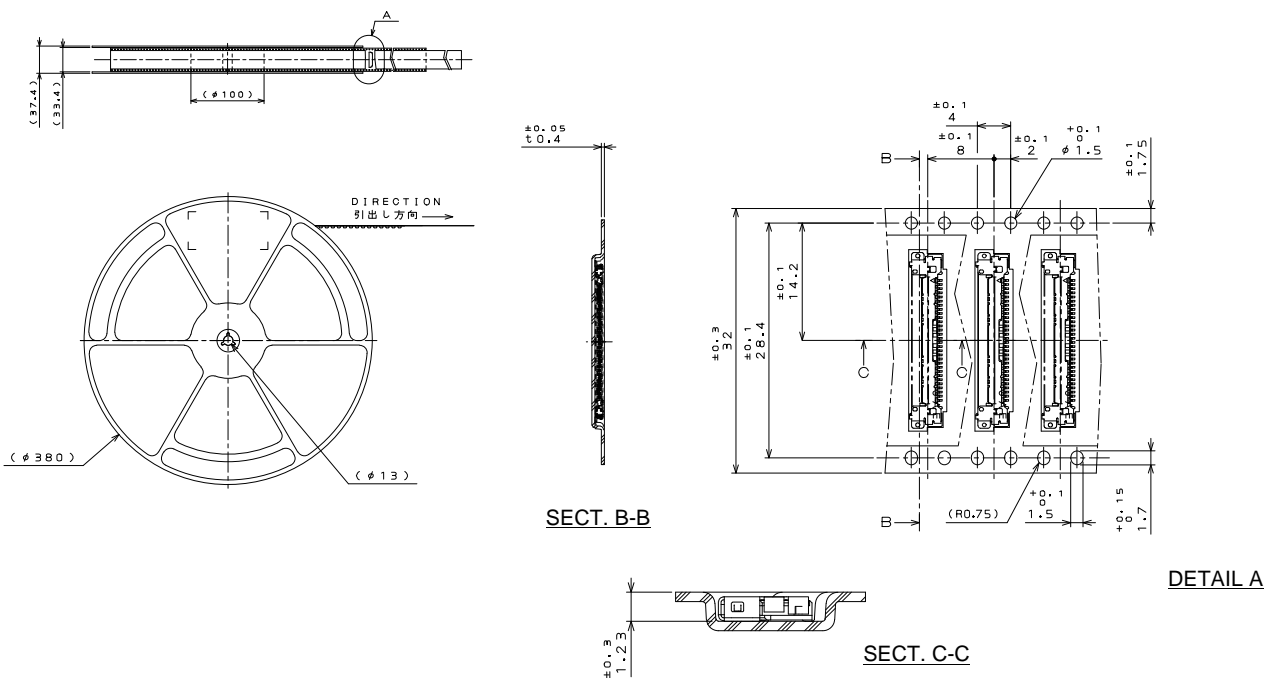
R: Embossed packaging of 6000 pcs.

HD1S040HA1R6000 (SJ110382)

Unit: mm



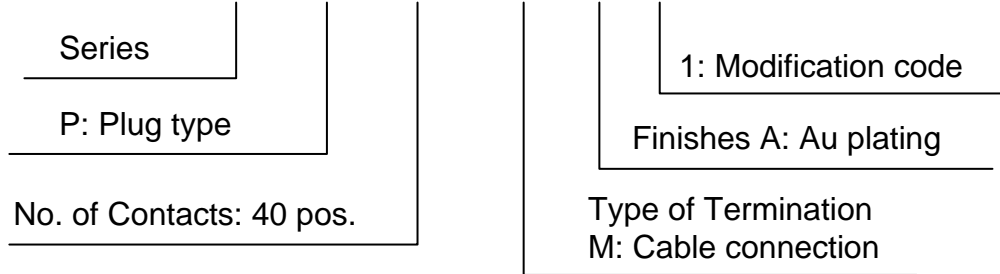
HD2S030HA1R6000 (SJ110548)



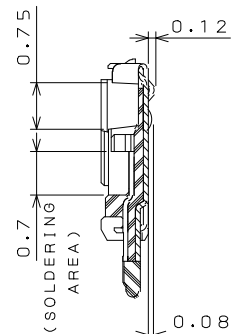
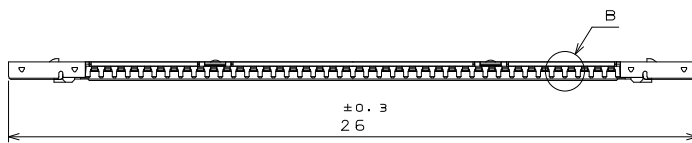
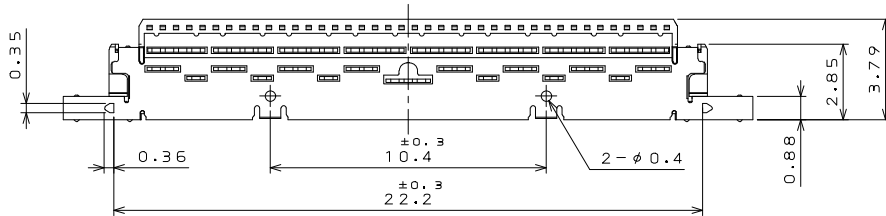
Ordering Information

Plug Connector (SJ111088)

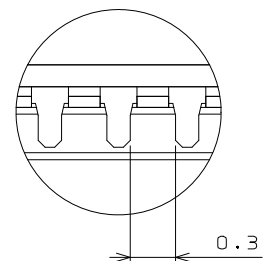
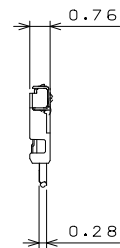
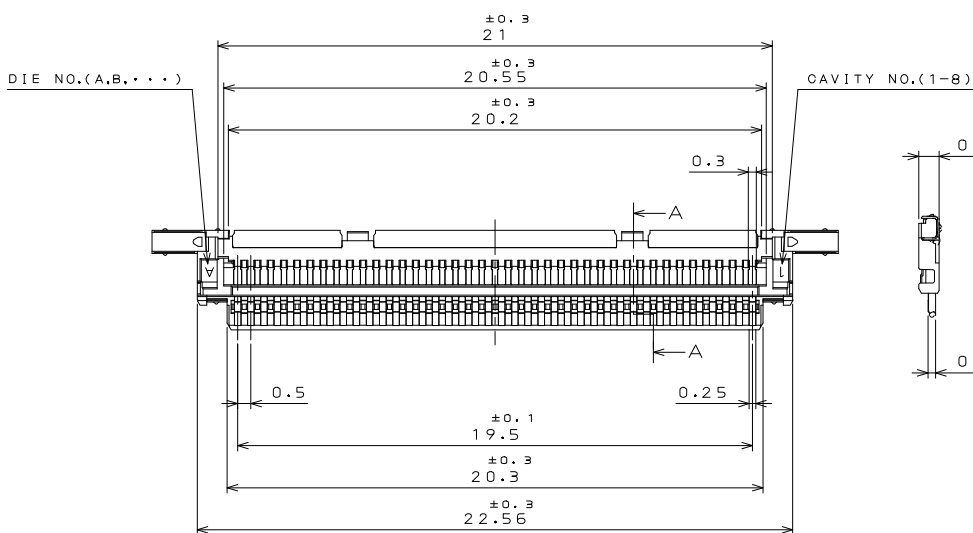
HD1 P 040 M A 1



Unit: mm



SECT. A-A



DETAIL B

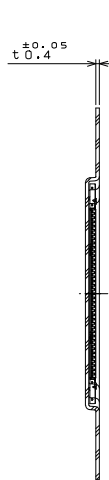
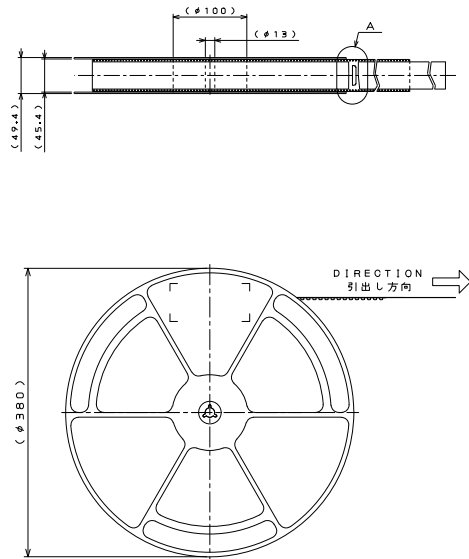
Ordering Information

Plug Connector (Embossed packaging) (SJ110089)

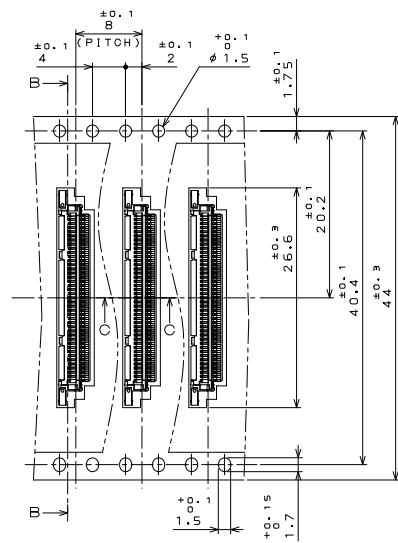
HD1 P 040 M A 1 R6000

R: Embossed packaging of 6000 pcs.

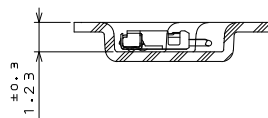
Unit: mm



SECT. B-B



DETAIL A



SECT. C-C

Related Information

- Specifications Table (JACS): JACS-10696
- Handling Instructions (JAHL): JAHL-10696-1
JAHL-10696-2 (Plug Assembly)

Japan Aviation Electronics Industry, Limited

Product Marketing Division

Aobadai Building, 3-1-19, Aobadai, Meguro-ku, Tokyo 153-8539

Phone: +81-3-3780-2787 FAX: +81-3-3780-2946



Notice: Products shown in this brochure are made for the applications listed below. However, if the above-mentioned products are to be used in aerospace devices, marine cable-connection devices, atomic power control systems, medical equipment for life-support systems, or any other specific application requiring extremely high reliability, please contact JAE for further information.

Recommended applications: Computers, Office machines, Measuring devices, Telecommunication devices (Terminals, Mobile devices), AV devices, Household applications, FA devices, etc.

* The specifications in this brochure are subject to change without notice. Please contact JAE for information.

Looking for pricing, stock, or lifecycle information?

Click below to explore more details on WIN SOURCE:

-  [View HD1S040HA1R6000 on WIN SOURCE](#)
-  [JAE Electronics Information](#)

Optimize Your Supply Chain with WIN SOURCE Solutions

-  Global Sourcing Solution
-  Obsolete Management
-  Cost Control Management
-  Shortage Management
-  Alternative Solution
-  Excess Inventory Management