



**THE DATASHEET OF  
22AR5KLFTR**



# Single Turn Trimmer

## Model 22



### Features:

- 3 mm square
- Sealed single turn
- Cermet
- Surface mount
- Cross Slot option



### Model Styles Available

J Hook	22A
Side Adjust	22S
J Hook with Cross Slot	22AC
Side Adjust with Cross Slot	22SC

### Electrical

Standard Resistance Range	10 ohms to 2 Megohms
Standard Resistance Tolerance	±20%
Residual Resistance, Maximum	1% or 3 ohms Max., whichever is greater
Resistance Taper	Linear
Maximum Operating Voltage	200 Vdc Max. or rms not to exceed power rating
Rated Power	0.125 Watts at 70°C derating to 0 at 125°C
Dielectric Strength	500 Vrms
Actual Electrical Travel, Nominal	220°
Insulation Resistance	100 Megohms Min.
Contact Resistance Variation	3% or 3 ohms Max., whichever is greater
Resolution	Essentially infinite

### Environmental

Seal	85°C Fluorinert (No Leaks)
Temperature Coefficient	±100 ppm/°C (<100 Ohms = ±150 ppm/°C)
Operating Temperature Range	-55°C to +125°C
Thermal Shock	Five cycles -55°C to +125°C (2% ΔRt, 1% ΔVR)
Moisture Resistance	Ten 24 hour cycles (3% ΔRt)
Shock	6ms sawtooth, 100 G's (1% ΔRt, 1% ΔVR)
Vibration	20 G's, 10 to 2,000 Hz (1% ΔRt, 1% ΔVR)
High Temperature Exposure	250 hours at 125°C (2% ΔRt, 2% ΔVR)
Rotational Life	100 cycles (3% ΔRt)
Load Life	1,000 hours at 70°C & 0.125 Watts (3% ΔRt, 1% ΔVR)
Resistance to Solder Heat	250°C for 10 seconds
RoHS	<a href="#">Please refer to TT Electronics Website</a>
REACH	<a href="#">Please refer to TT Electronics Website</a>

General Note  
TT Electronics reserves the right to make changes in product specification without notice or liability. All information is subject to TT Electronics' own data and is considered accurate at time of going to print.

TT Electronics | BI Technologies  
Circulo de la Amistad #102 PIMSA IV Mexicali B.C. Mexico C.P 21210  
Ph: + 1 (714) 447-2345  
[www.ttelectronics.com/bi-technologies](http://www.ttelectronics.com/bi-technologies)

# Single Turn Trimmer

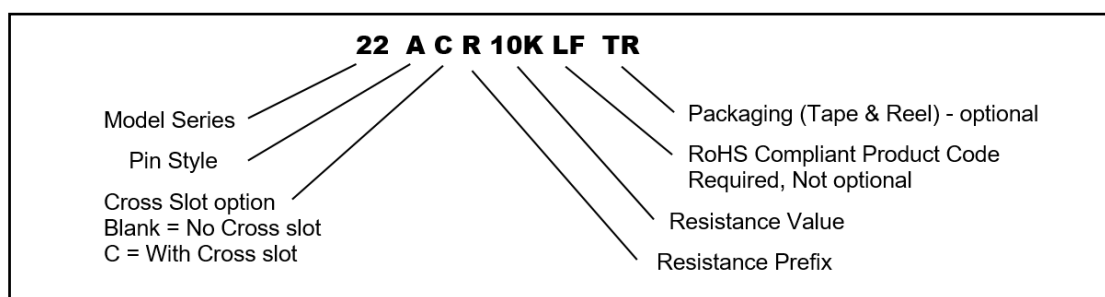
## Model 22



### Mechanical

Mechanical Stop	Solid
Mechanical Rotation	250° nominal
Stop Strength	1.3 in. oz Min (300 g-cm)
Torque	0.65 in. oz. Max. (150 g-cm)
Weight	0.002 oz. nominal (0.14 grams)
Wiper Position	Approximately 50% of Rt

### Ordering Information



### Packaging Information

Standard (no code): Boxes. Capacity = 100 units.

Option (TR code): Tape & Reel. All units oriented with #2 (slider) pin adjacent to sprocket holes.

	Pin Style	A	S
Tape	Width =	12 mm	16 mm
	Sprocket =	4 mm pitch	4 mm pitch
	Capacity =	1000 units	200 units
Reel	Diameter =	7" (178 mm)	10" (254 mm)

### Circuit Diagram



### Standard Resistance Values, Ohms

10	100	1K	10K	100K	1 Meg
20	200	2K	20K	200K	2 Meg
50	500	5K	50K	500K	

#### General Note

TT Electronics reserves the right to make changes in product specification without notice or liability. All information is subject to TT Electronics' own data and is considered accurate at time of going to print.

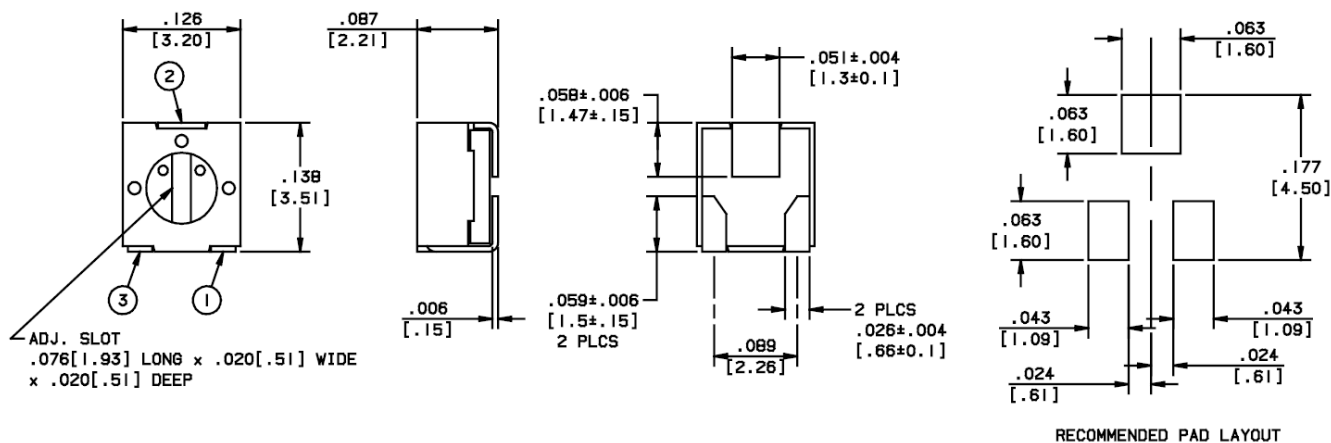
# Single Turn Trimmer

## Model 22

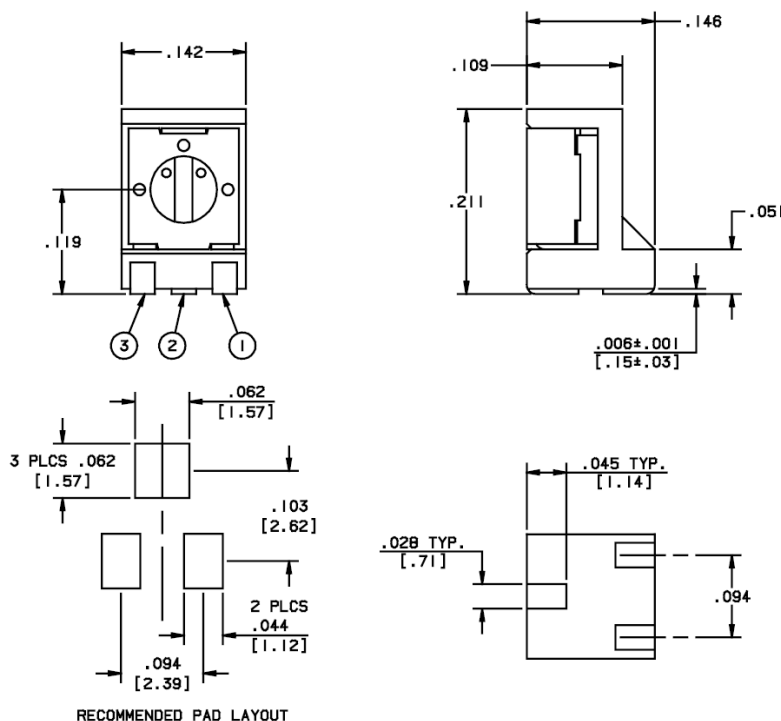


### Outline Drawings

#### Model 22A— Top Adjust



#### Model 22S—Side Adjust



General Note  
 TT Electronics reserves the right to make changes in product specification without notice or liability. All information is subject to TT Electronics' own data and is considered accurate at time of going to print.

TT Electronics | BI Technologies  
 Circulo de la Amistad #102 PIMSA IV Mexicali B.C. Mexico C.P 21210  
 Ph: + 1 (714) 447-2345  
[www.ttelectronics.com/bi-technologies](http://www.ttelectronics.com/bi-technologies)

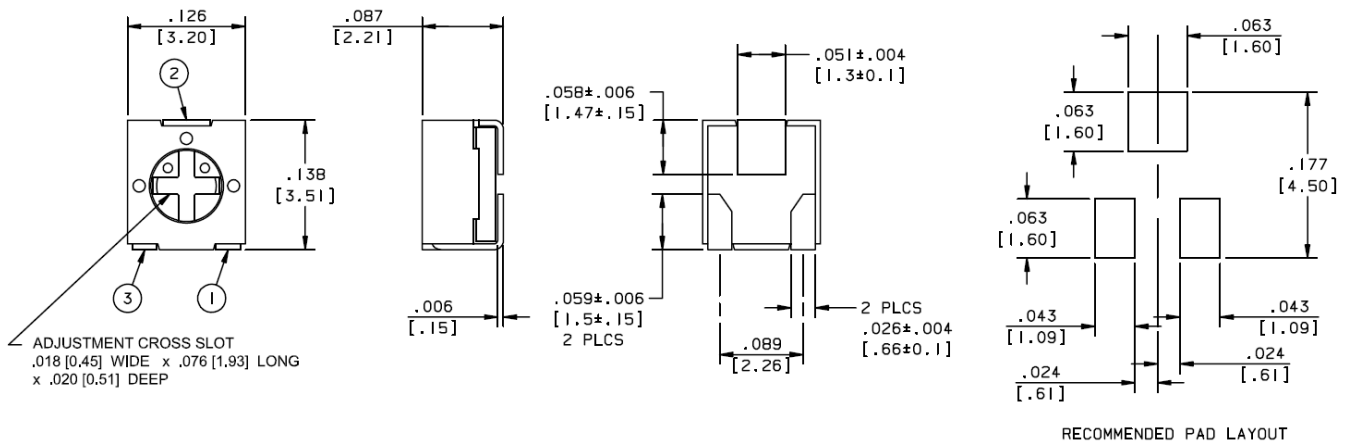
# Single Turn Trimmer

## Model 22

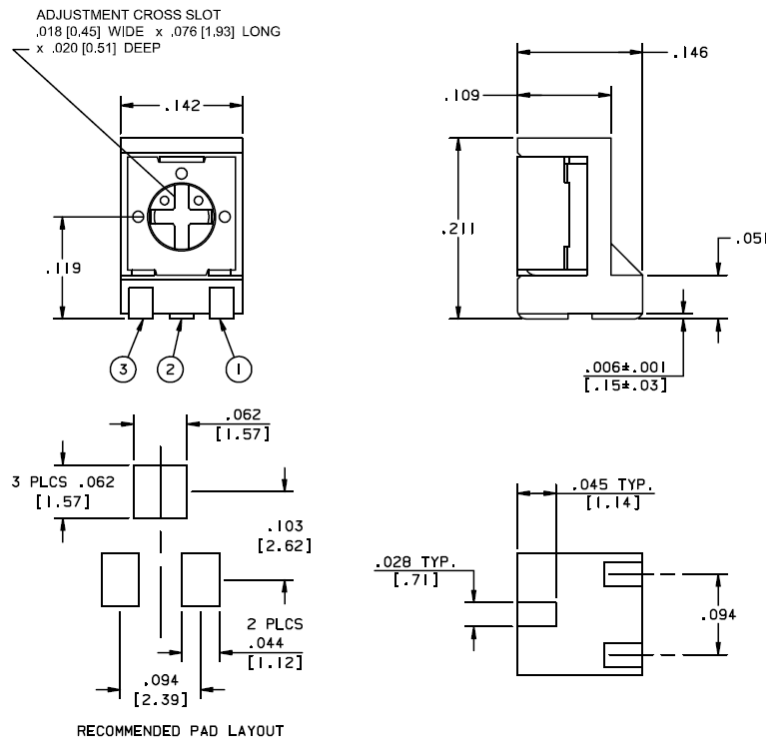


### Outline Drawings

#### Model 22AC—With Cross Slot adjustment



#### Model 22SC—With Cross Slot adjustment



Dimensions are Inches [mm], Tolerances are ±.01 inch [±0.25 mm] unless otherwise stated.

**General Note**

TT Electronics reserves the right to make changes in product specification without notice or liability. All information is subject to TT Electronics' own data and is considered accurate at time of going to print.

## Looking for pricing, stock, or lifecycle information?

Click below to explore more details on WIN SOURCE:

 [View 22AR5KLFTR](#) on WIN SOURCE

 [TT Electronics](#) Information

## Optimize Your Supply Chain with WIN SOURCE Solutions

-  Global Sourcing Solution
-  Obsolete Management
-  Cost Control Management
-  Shortage Management
-  Alternative Solution
-  Excess Inventory Management