



# THE DATASHEET OF G3VM-3FL



## MOS FET Relays

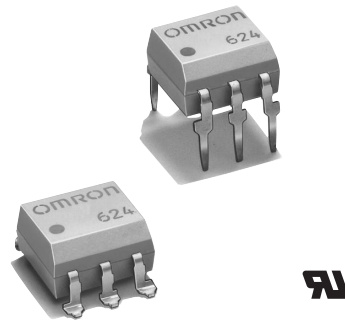
G3VM-3(F)L

### Analog-switching MOS FET Relay with 350-V Load Voltage and Current Limit.

- Approved standards: UL1577 (File No. E80555)

#### ■ Application Examples

- Electronic automatic exchange systems
- Multi-functional telephones
- Cordless telephones
- Measuring devices



**Note:** The actual product is marked differently from the image shown here.

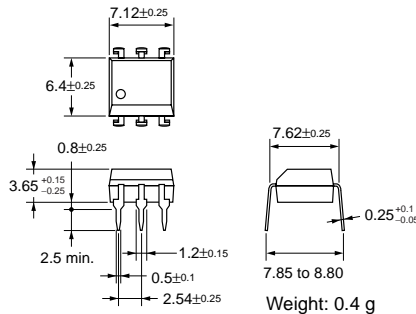
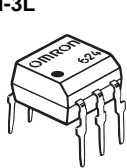
#### ■ List of Models

Contact form	Terminals	Load voltage (peak value)	Model	Current limit	Number per stick	Number per tape
SPST-NO	PCB terminals	350 VAC	G3VM-3L	Yes	50	---
	Surface-mounting terminals		G3VM-3FL			
			G3VM-3FL(TR)			

#### ■ Dimensions

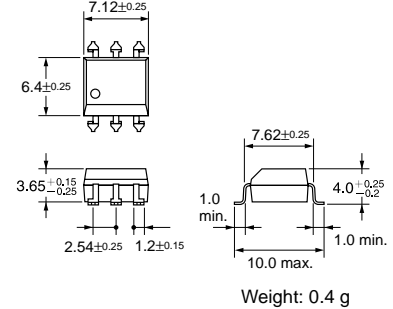
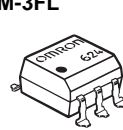
**Note:** All units are in millimeters unless otherwise indicated.

##### G3VM-3L



**Note:** The actual product is marked differently from the image shown here.

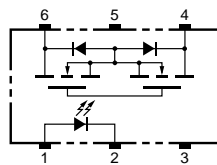
##### G3VM-3FL



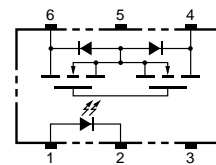
**Note:** The actual product is marked differently from the image shown here.

#### ■ Terminal Arrangement/Internal Connections (Top View)

##### G3VM-3L

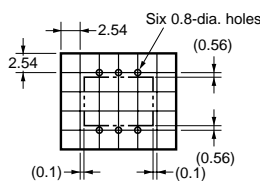


##### G3VM-3FL



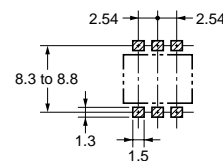
#### ■ PCB Dimensions (Bottom View)

##### G3VM-3L



#### ■ Actual Mounting Pad Dimensions (Recommended Value, Top View)

##### G3VM-3FL



## Absolute Maximum Ratings (Ta = 25°C)

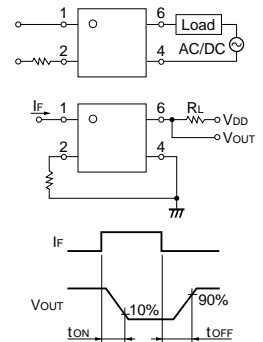
Item	Symbol	Rating	Unit	Measurement Conditions	
Input	LED forward current	$I_F$	50	mA	
	Repetitive peak LED forward current	$I_{FP}$	1	A	100 $\mu$ s pulses, 100 pps
	LED forward current reduction rate	$\Delta I_F/^\circ\text{C}$	-0.5	mA/°C	Ta $\geq$ 25°C
	LED reverse voltage	$V_R$	5	V	
	Connection temperature	$T_j$	125	°C	
Output	Output dielectric strength	$V_{OFF}$	350	V	
	Continuous load current	$I_O$	120	mA	
	ON current reduction rate	$\Delta I_{ON}/^\circ\text{C}$	-1.2	mA/°C	Ta $\geq$ 25°C
	Connection temperature	$T_j$	125	°C	
Dielectric strength between input and output (See note 1.)	$V_{I-O}$	2,500	Vrms	AC for 1 min	
Operating temperature	$T_a$	-40 to +85	°C	With no icing or condensation	
Storage temperature	$T_{stg}$	-55 to +125	°C	With no icing or condensation	
Soldering temperature (10 s)	---	260	°C	10 s	

**Note:** 1. The dielectric strength between the input and output was checked by applying voltage between all pins as a group on the LED side and all pins as a group on the light-receiving side.

## Electrical Characteristics (Ta = 25°C)

Item	Symbol	Minimum	Typical	Maximum	Unit	Measurement conditions	
Input	LED forward voltage	$V_F$	1.0	1.15	1.3	V	$I_F = 10$ mA
	Reverse current	$I_R$	---	---	10	$\mu$ A	$V_R = 5$ V
	Capacity between terminals	$C_T$	---	30	---	pF	$V = 0$ , $f = 1$ MHz
	Trigger LED forward current	$I_{FT}$	---	---	3	mA	$I_O = 120$ mA
Output	Maximum resistance with output ON	$R_{ON}$	---	22	35	$\Omega$	$I_F = 5$ mA, $I_O = 120$ mA
	Current leakage when the relay is open	$I_{LEAK}$	---	---	1.0	$\mu$ A	$V_{OFF} = 350$ V
Limit current	$I_{LIM}$	150	---	300	mA	$I_F = 5$ mA, $V_{DD} = 5$ V, $t = 5$ ms	
Capacity between I/O terminals	$C_{I-O}$	---	0.8	---	pF	$f = 1$ MHz, $V_s = 0$ V	
Insulation resistance	$R_{I-O}$	1,000	---	---	M $\Omega$	$V_{I-O} = 500$ VDC, $RoH \leq 60\%$	
Turn-ON time	$t_{ON}$	---	---	1.0	ms	$I_F = 5$ mA, $R_L = 200$ $\Omega$ , $V_{DD} = 20$ V (See note 2.)	
Turn-OFF time	$t_{OFF}$	---	---	1.0	ms		

**Note:** 2. Turn-ON and Turn-OFF Times



## Recommended Operating Conditions

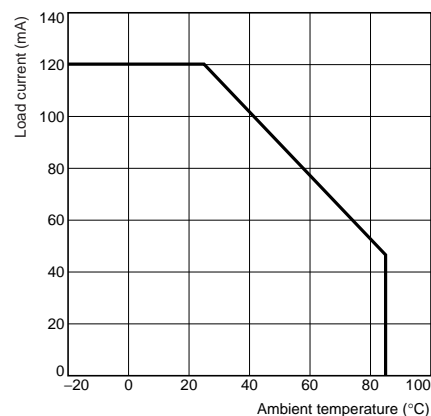
Use the G3VM under the following conditions so that the Relay will operate properly.

Item	Symbol	Minimum	Typical	Maximum	Unit
Output dielectric strength	$V_{DD}$	---	---	280	V
Operating LED forward current	$I_F$	5	7.5	25	mA
Continuous load current	$I_O$	---	---	120	mA
Operating temperature	$T_a$	-20	---	65	°C

## Engineering Data

### Load Current vs. Ambient Temperature

#### G3VM-3(F)L





## Safety Precautions

Refer to page 6 for precautions common to all G3VM models.

## Looking for pricing, stock, or lifecycle information?

Click below to explore more details on WIN SOURCE:

-  [View G3VM-3FL on WIN SOURCE](#)
-  [Omron Information](#)

## Optimize Your Supply Chain with WIN SOURCE Solutions

-  Global Sourcing Solution
-  Obsolete Management
-  Cost Control Management
-  Shortage Management
-  Alternative Solution
-  Excess Inventory Management